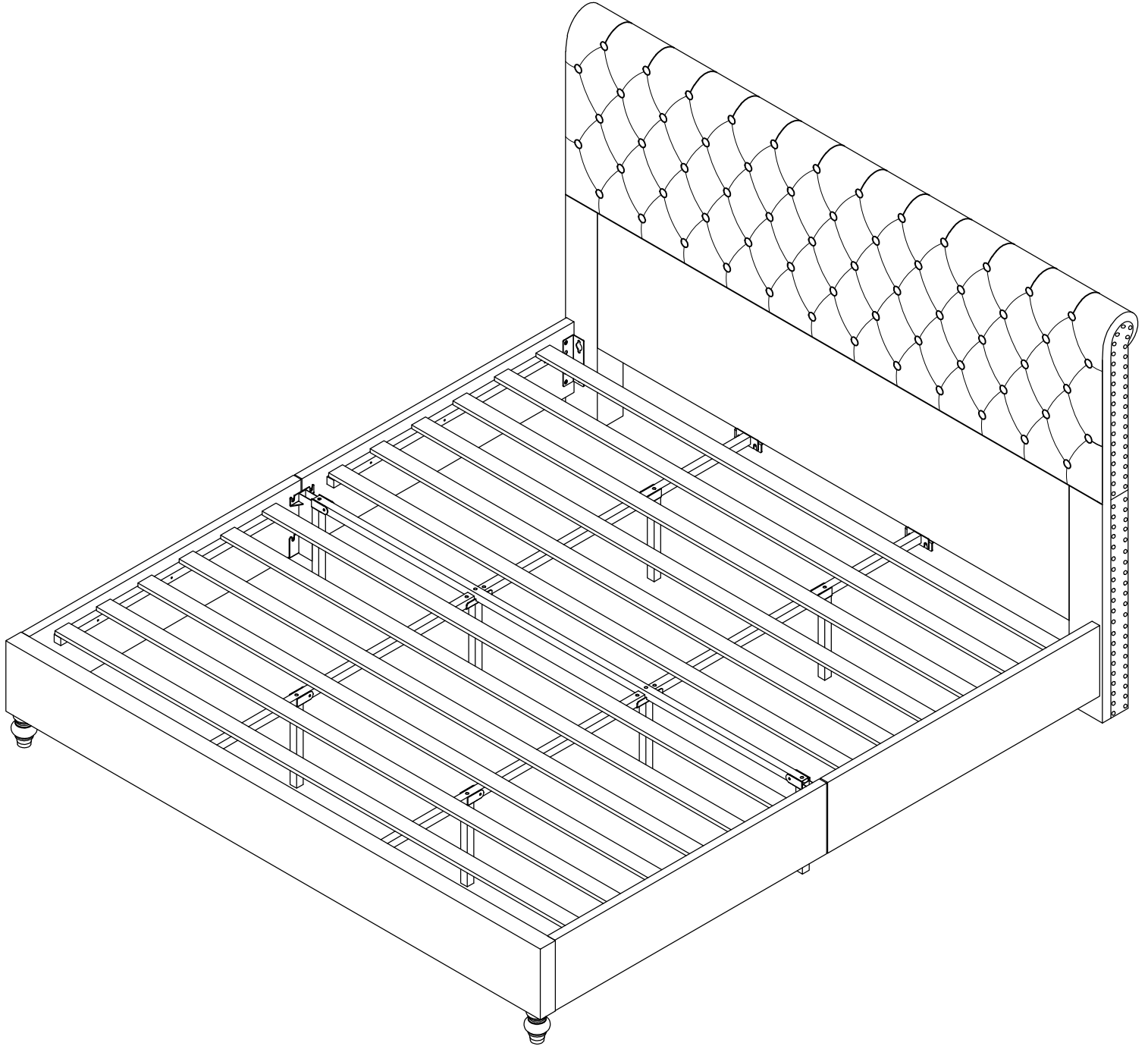


Upholstered Platform Bed with Tufted Wingback Headboard.

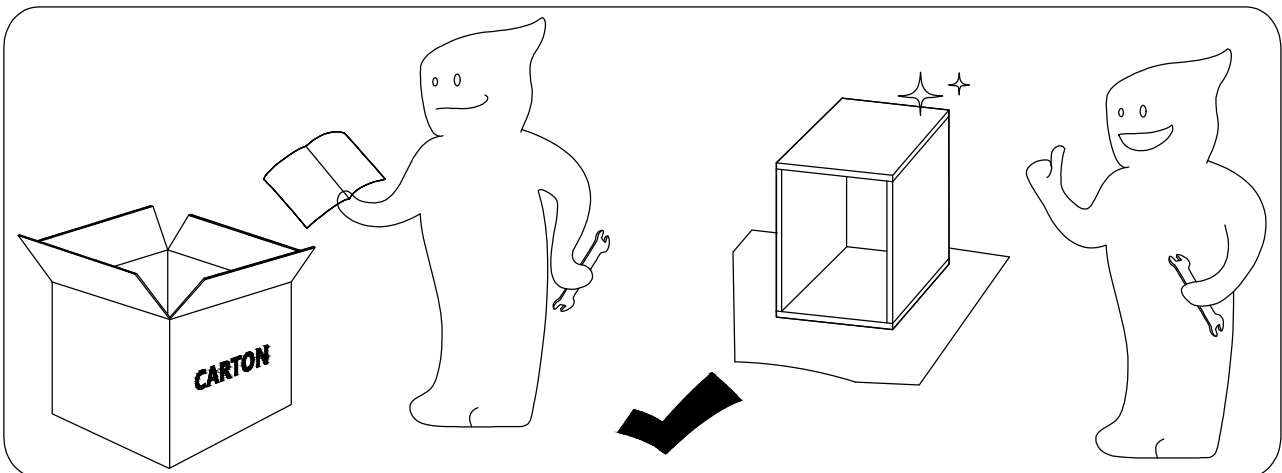
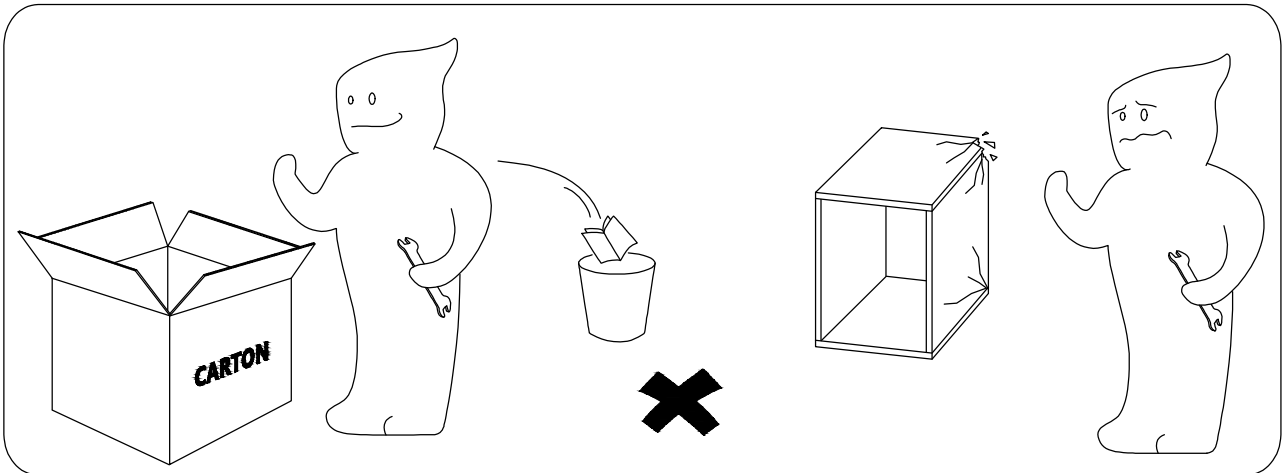


Dear Customers,

Thank you for purchasing our product. Please read this instruction manual carefully after receiving this product. It will help you assemble this product quickly, safely and correctly. You can keep this manual for future reference.

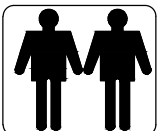
! IMPORTANT

Please follow the instruction manuals and use a pad to protect the product during your assembly.

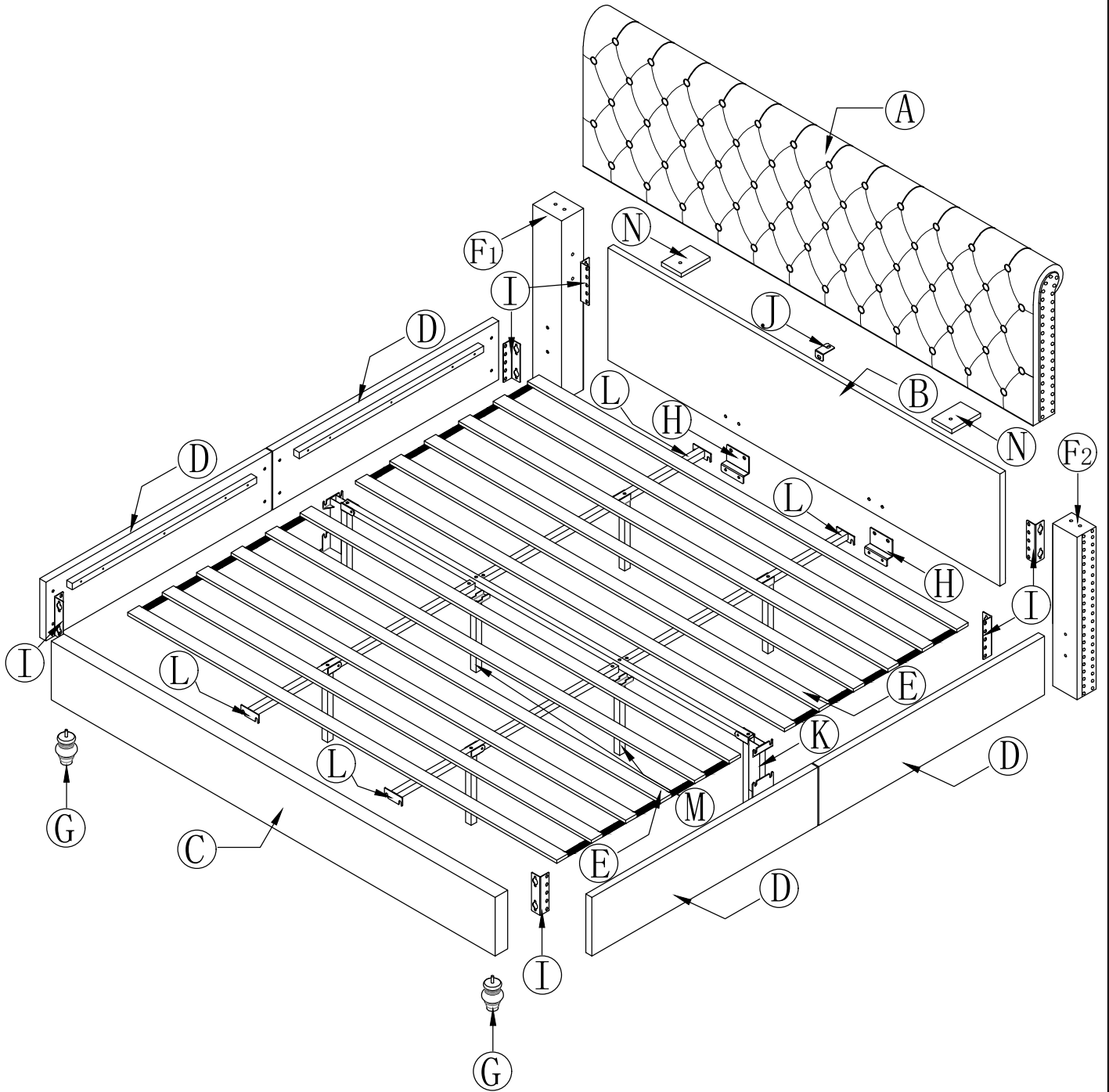


Note:

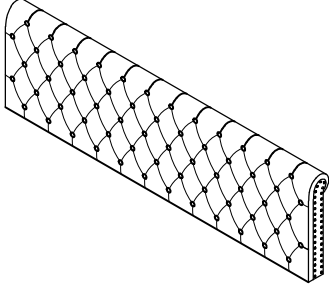
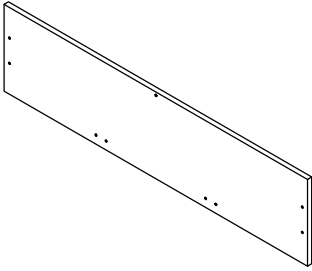
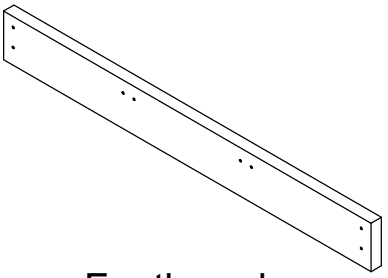
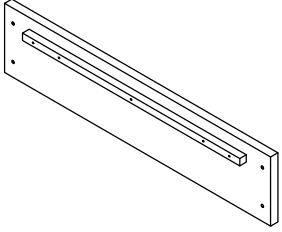
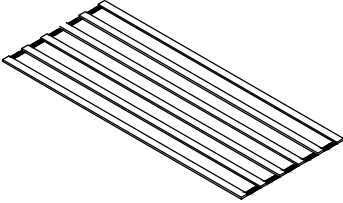
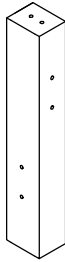
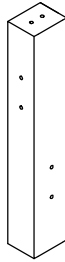
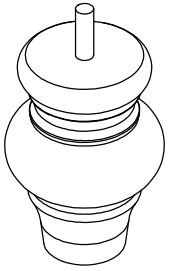
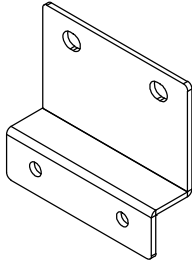
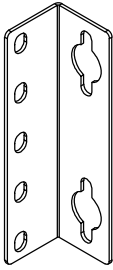
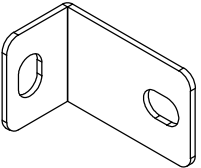
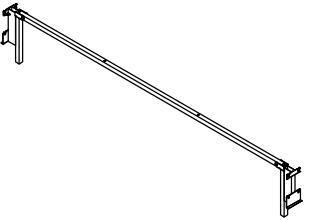
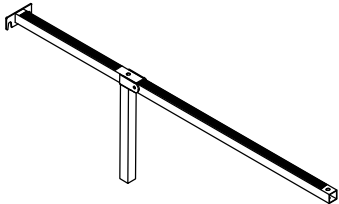
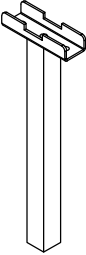
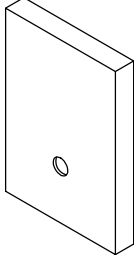
1. Should be assembled on flat ground to keep balance.
2. Before completing the installation, do not tighten the screws.



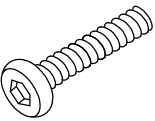
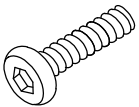
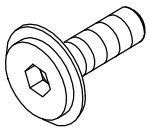
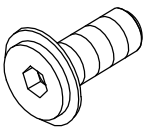
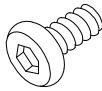
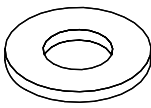
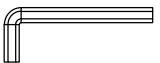
For easier and better assembly, 2 or more adults are required.

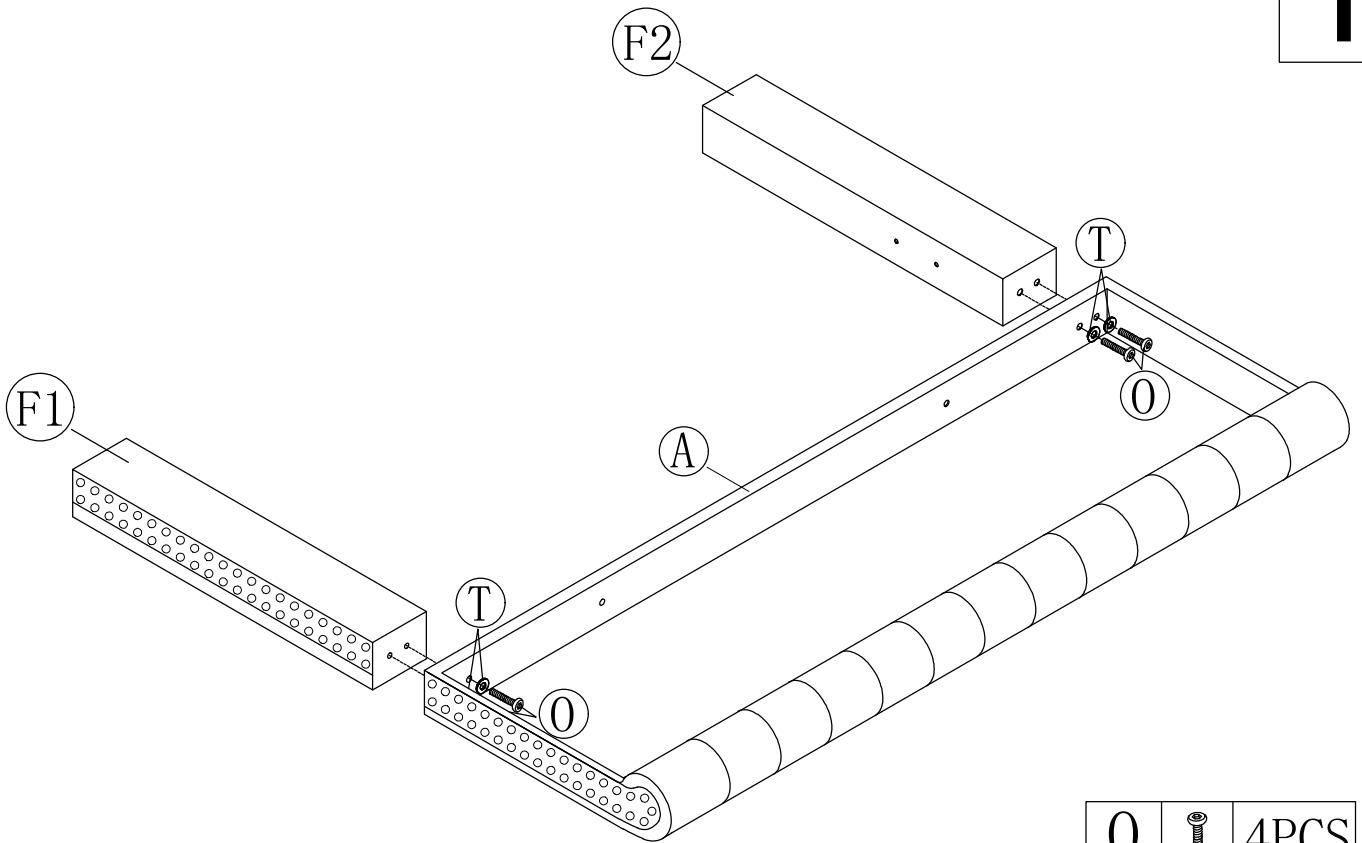


Part list



<p>A 1PC</p>  <p>Top headboard</p>	<p>B 1PC</p>  <p>Bottom headboard</p>	<p>C 1PC</p>  <p>Footboard</p>	
<p>D 4PCS</p>  <p>side rail</p>	<p>E 2PCS</p>  <p>Slat</p>	<p>F₁ 1PC</p>  <p>Left Leg</p>	<p>F₂ 1PC</p>  <p>Right Leg</p>
<p>G 2PCS</p>  <p>Leg</p>	<p>H 2PCS</p>  <p>Connector</p>	<p>I 6PCS</p>  <p>Connector</p>	<p>J 1PC</p>  <p>Connector</p>
<p>K 1PC</p>  <p>Cross bar</p>	<p>L 4PCS</p>  <p>Middle support bar</p>	<p>M 2PCS</p>  <p>Support leg</p>	<p>N 2PCS</p>  <p>Support block</p>

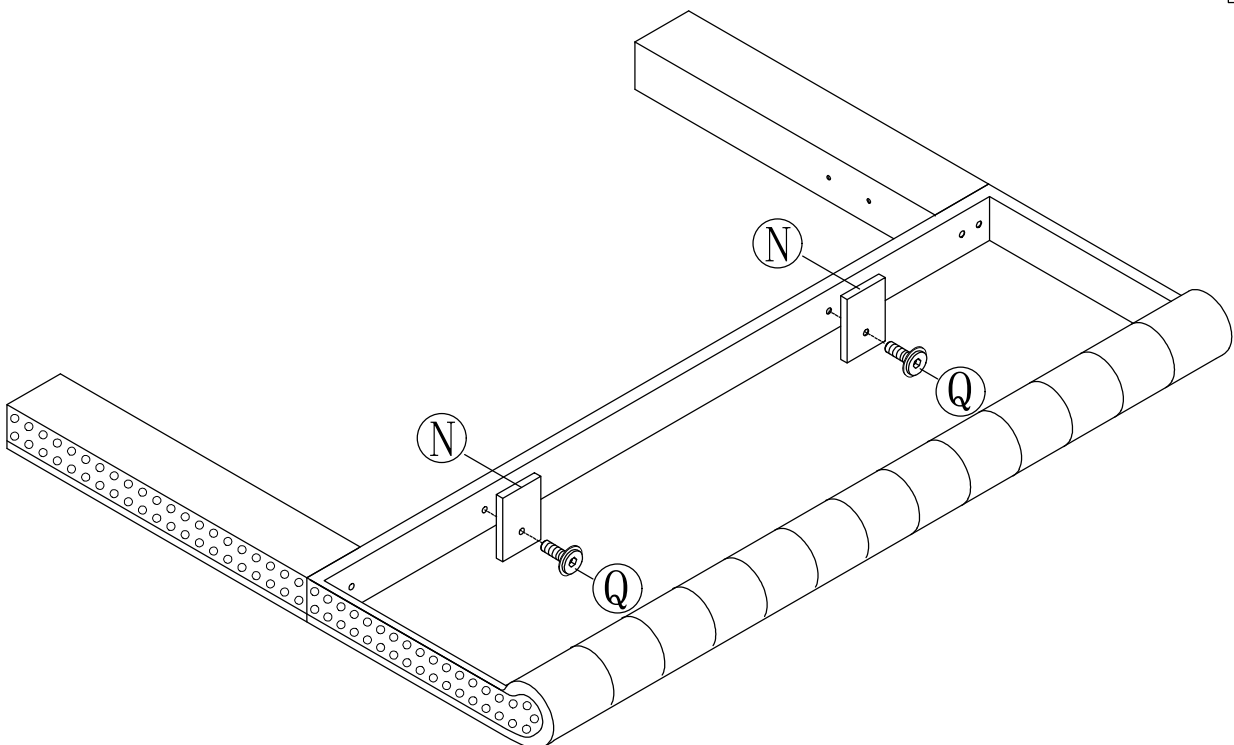
Hardware list

<p>O</p>  <p>M8*50 6PCS</p>	<p>P</p>  <p>M8*40 10PCS</p>	<p>Q</p>  <p>M8*35 2PCS</p>	<p>R</p>  <p>M8*25 42PCS</p>	<p>S</p>  <p>M8*16 4PCS</p>	<p>T</p>  <p>φ22*φ8.5 4PCS</p>	<p>U</p>  <p>M8 Spanner 1PC</p>
---	--	---	--	--	--	---


1

Back side

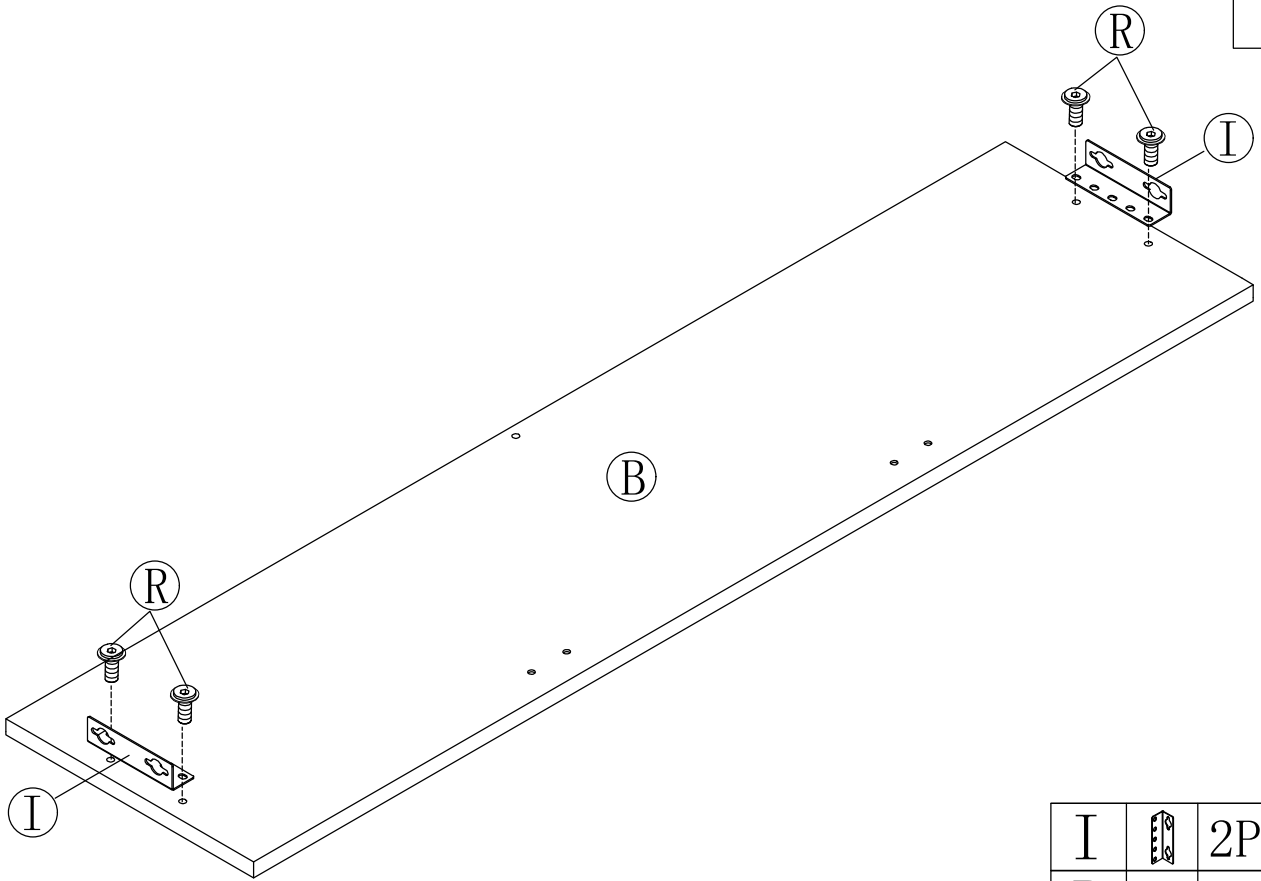
O		4PCS
T		4PCS



2

Back side

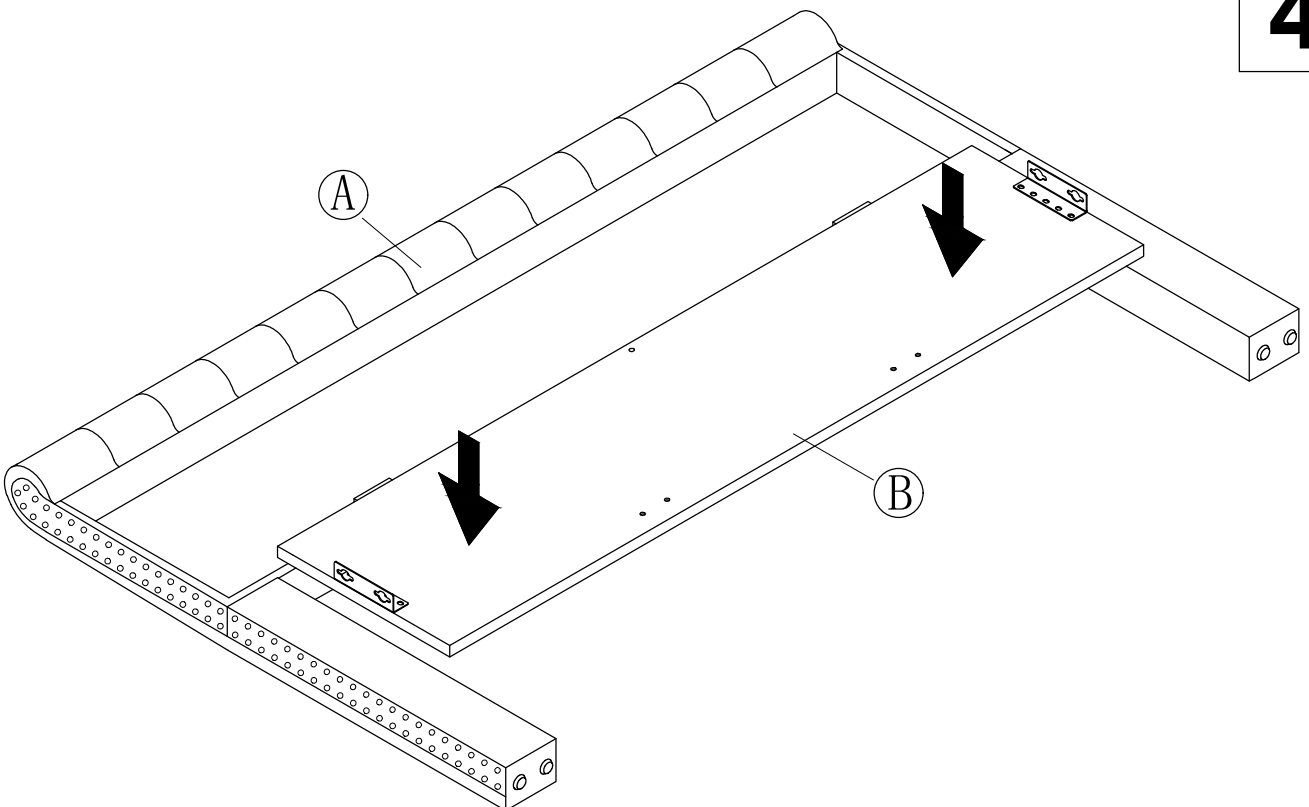
Q		2PCS
---	---	------

3

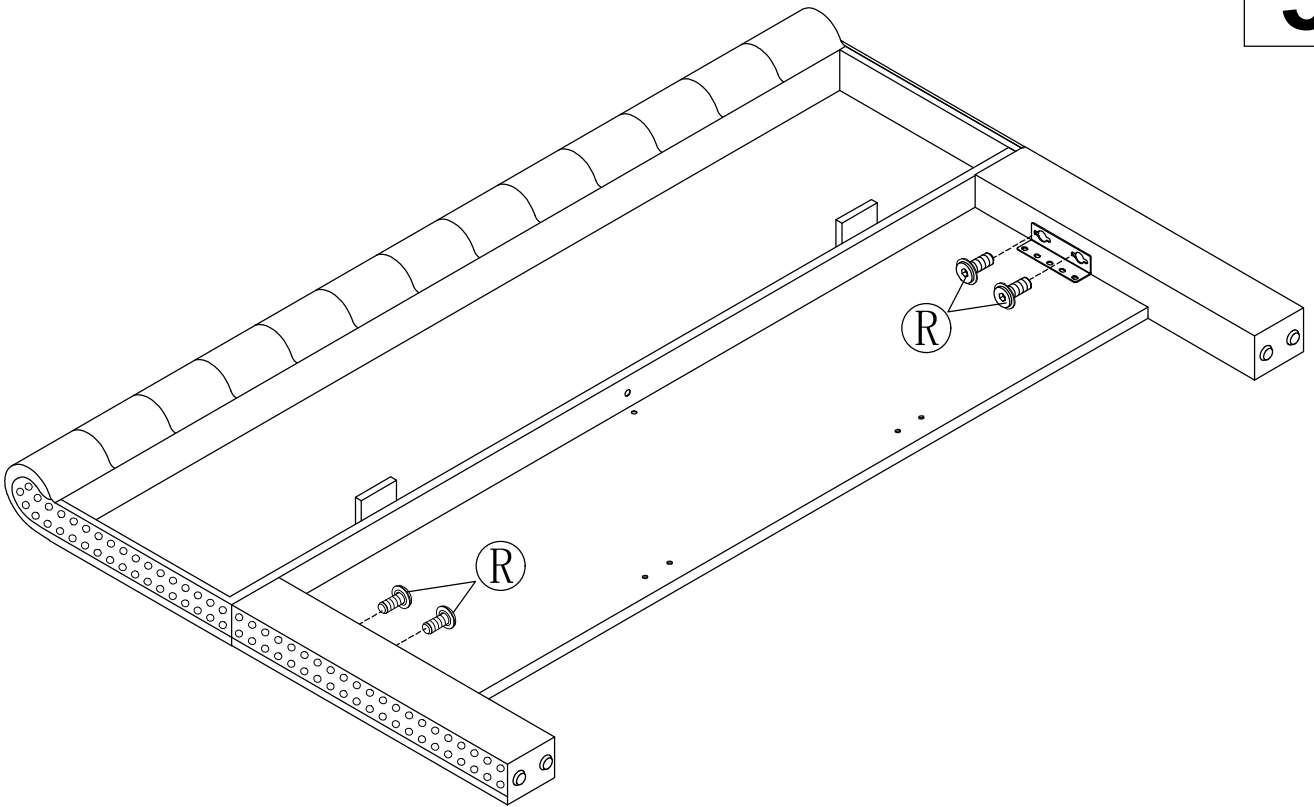


I		2PCS
R		4PCS

4

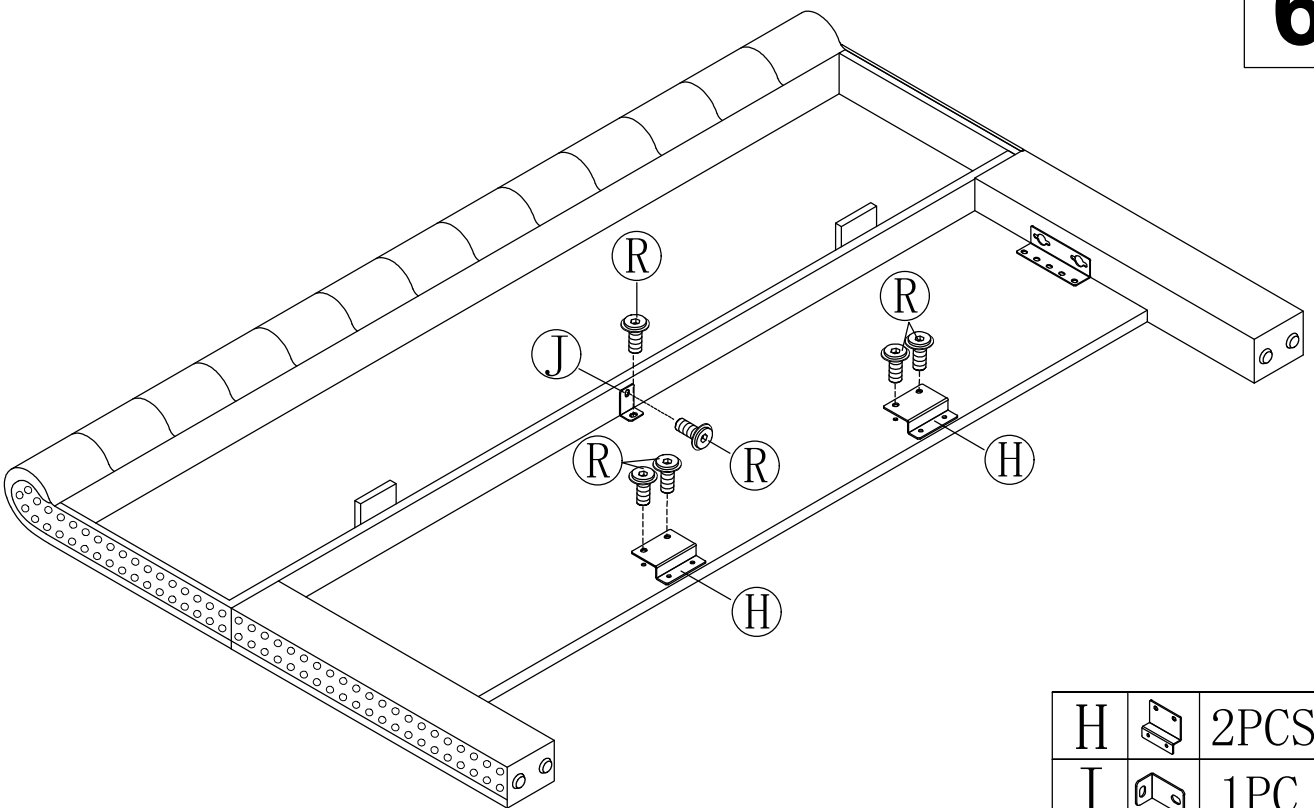





5



R		4PCS
---	---	------

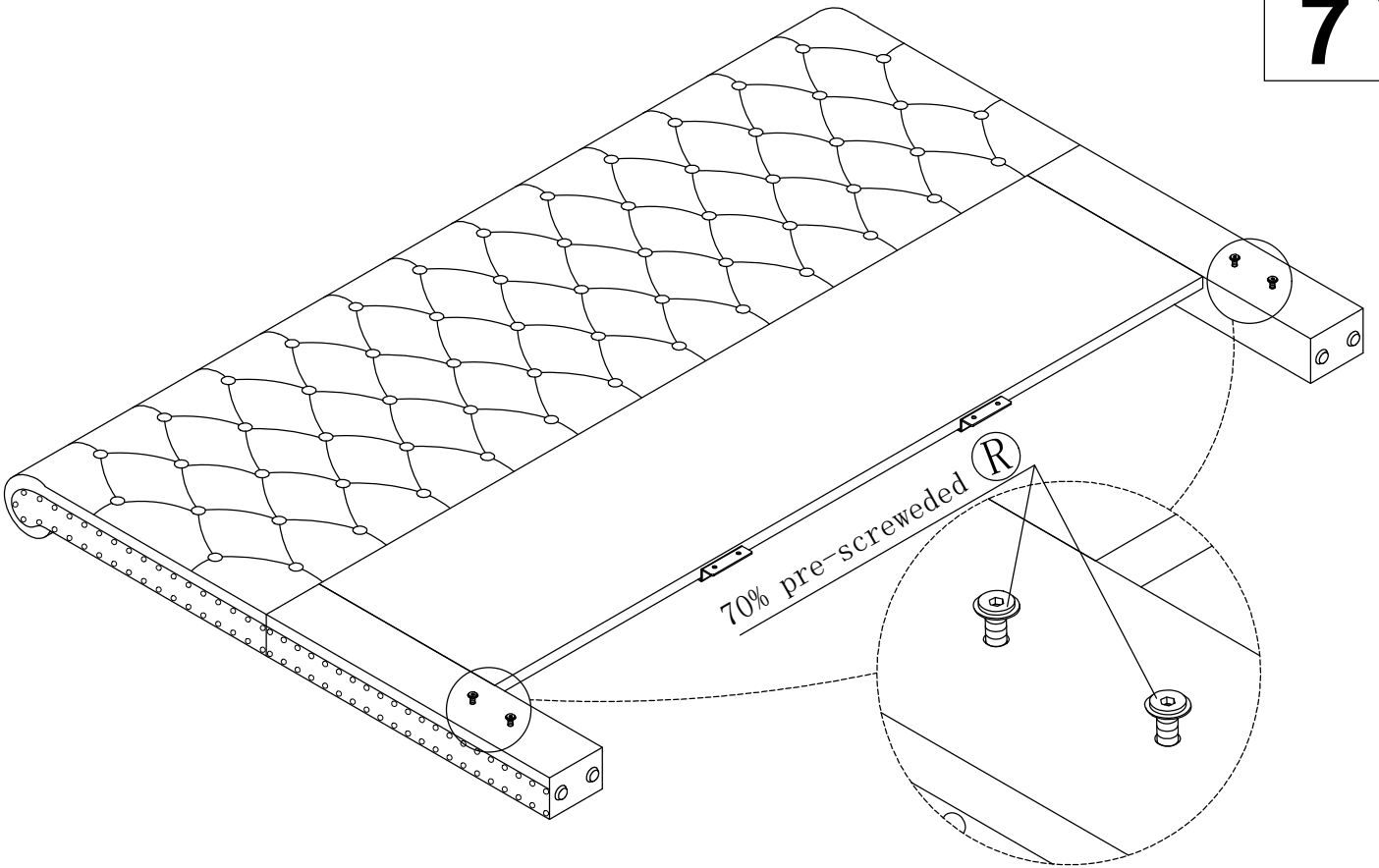
6




H		2PCS
J		1PC
R		6PCS

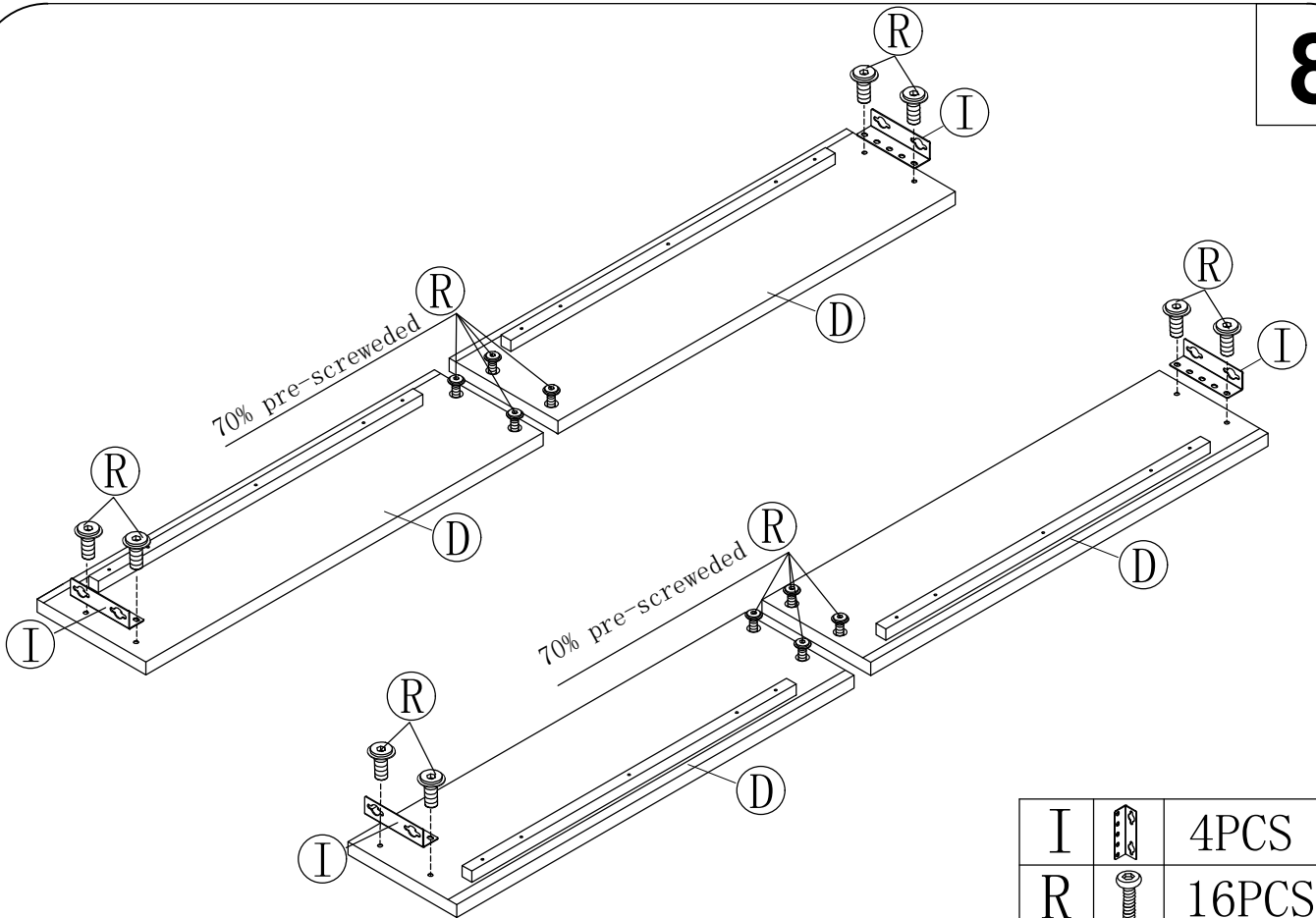
Flip over after tightening the screws



7



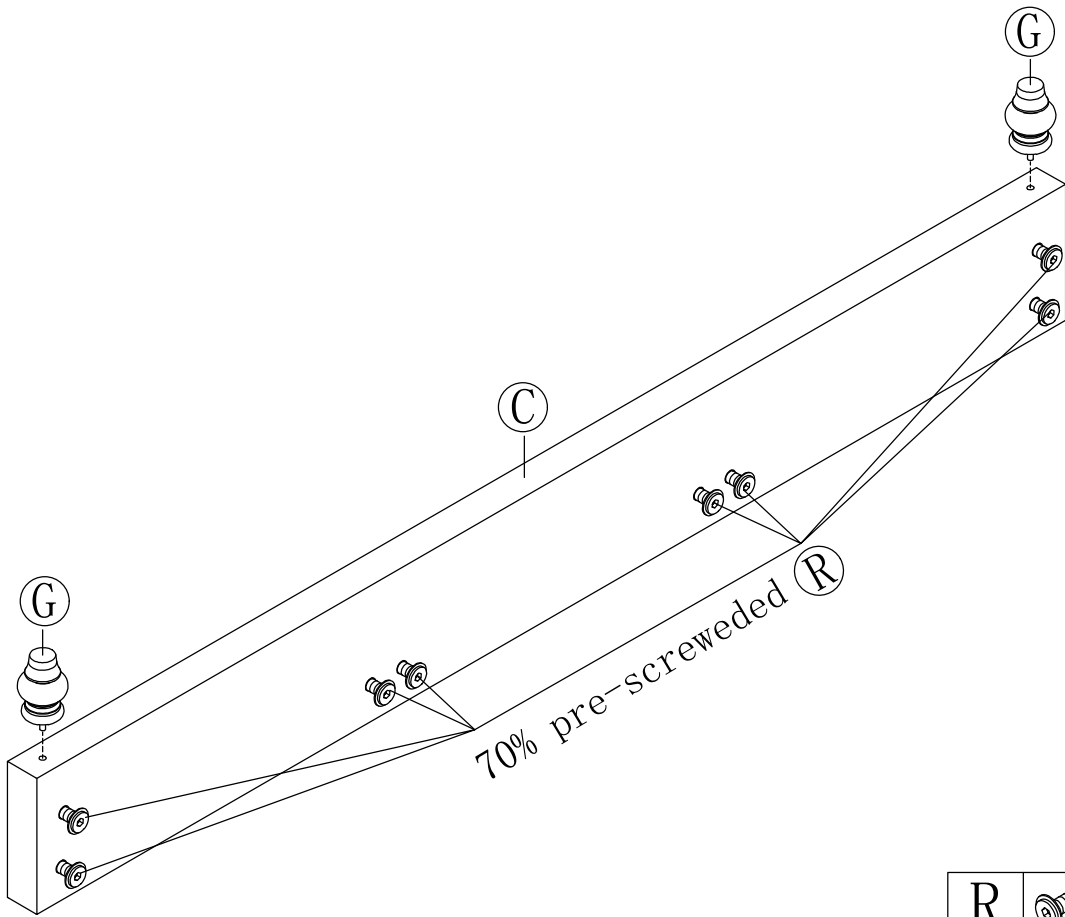
R		4PCS
---	---	------


8



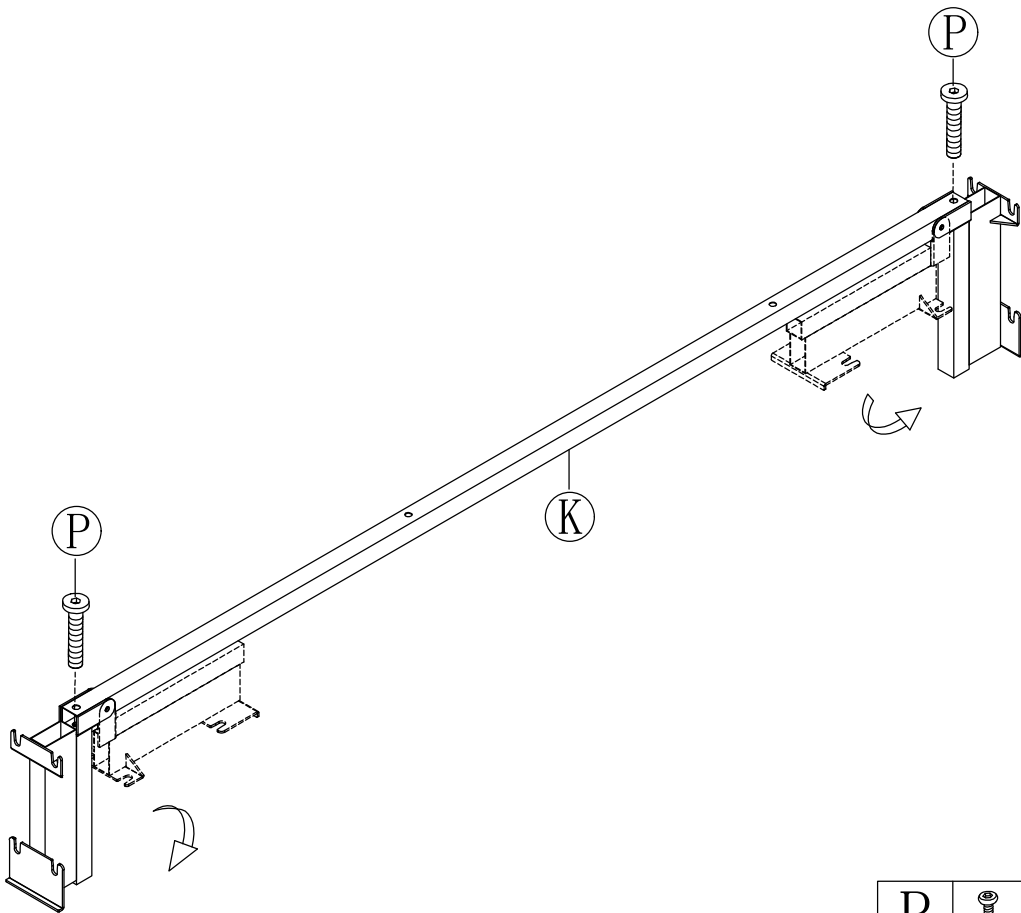
I		4PCS
R		16PCS


9



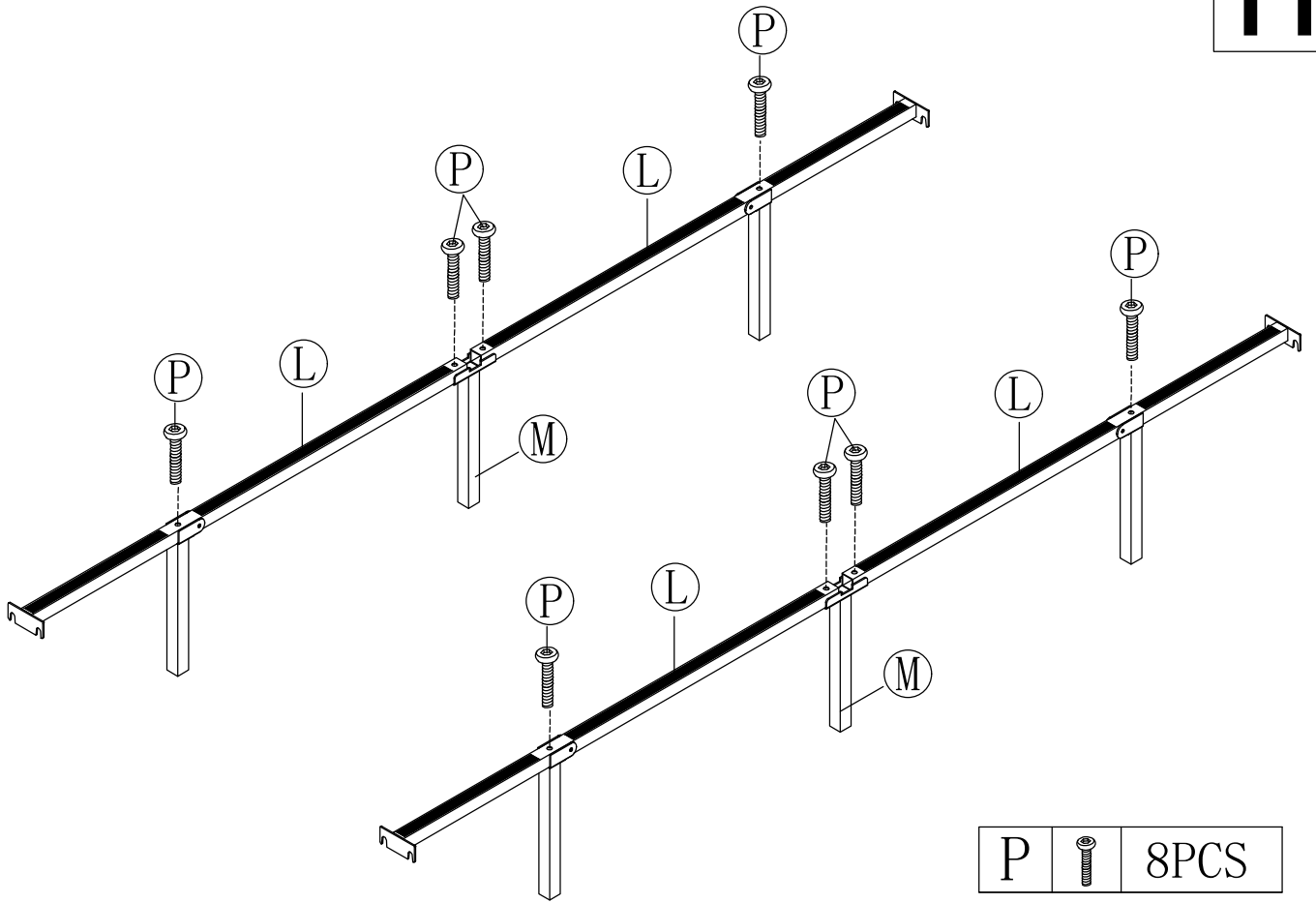
R		8PCS
---	---	------

10

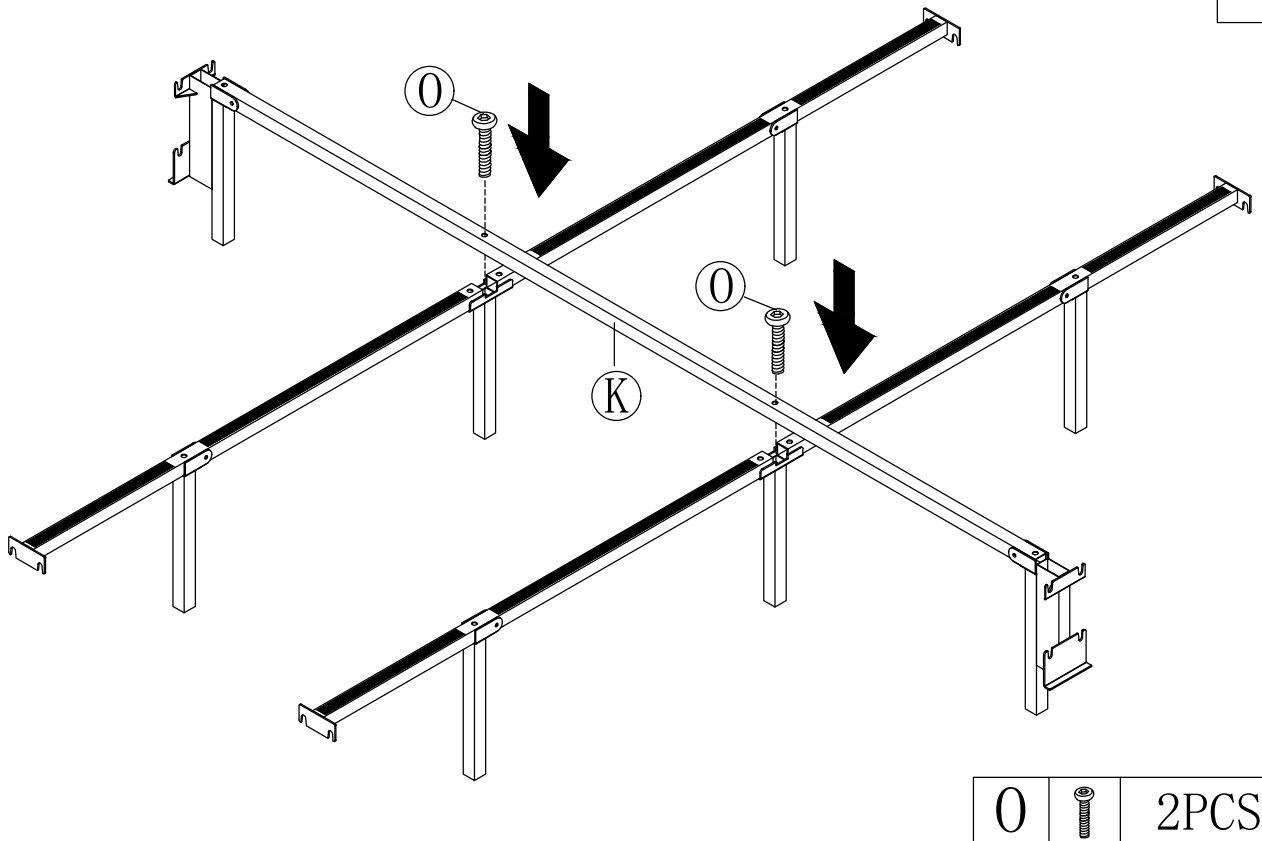


P		2PCS
---	---	------

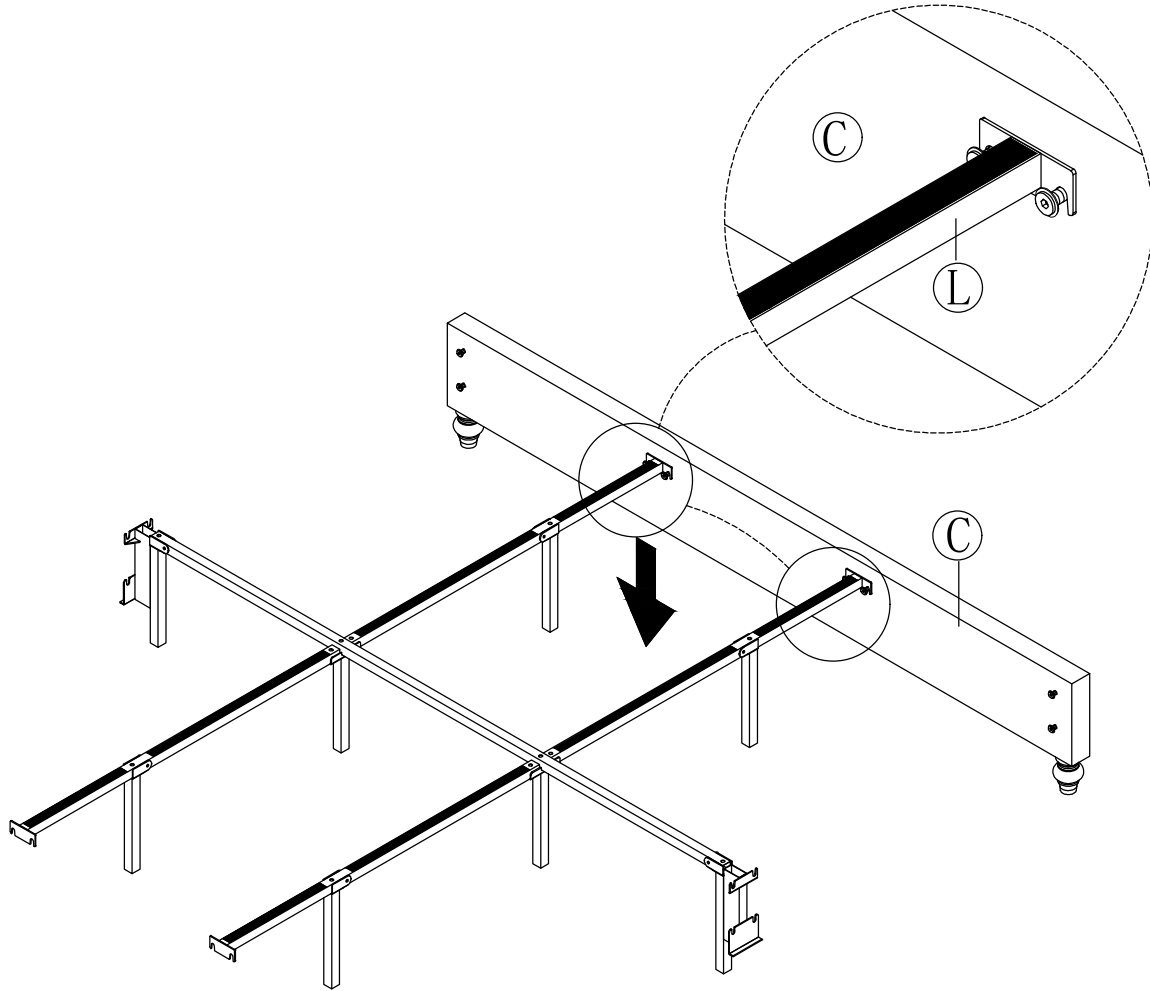
11



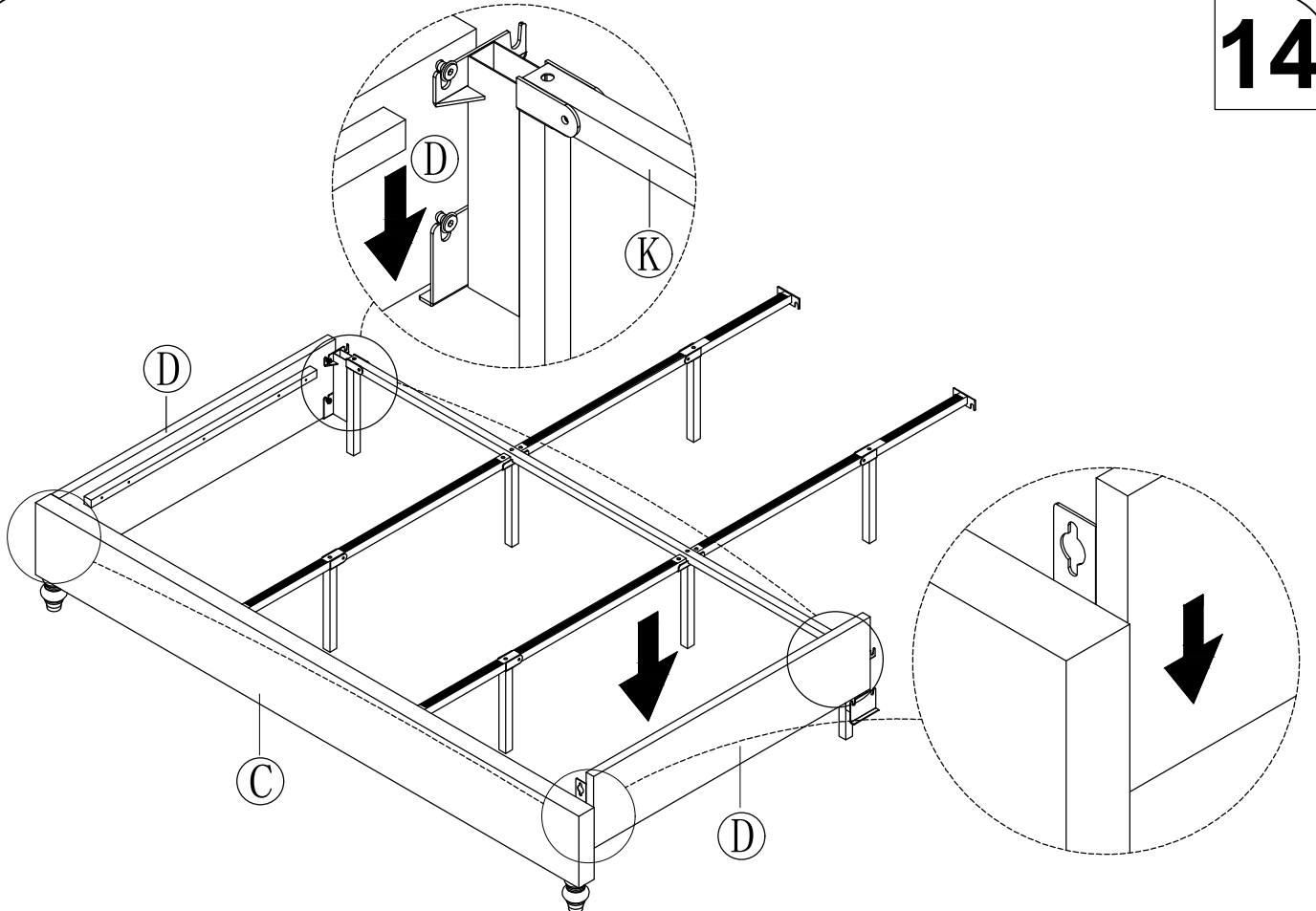
12



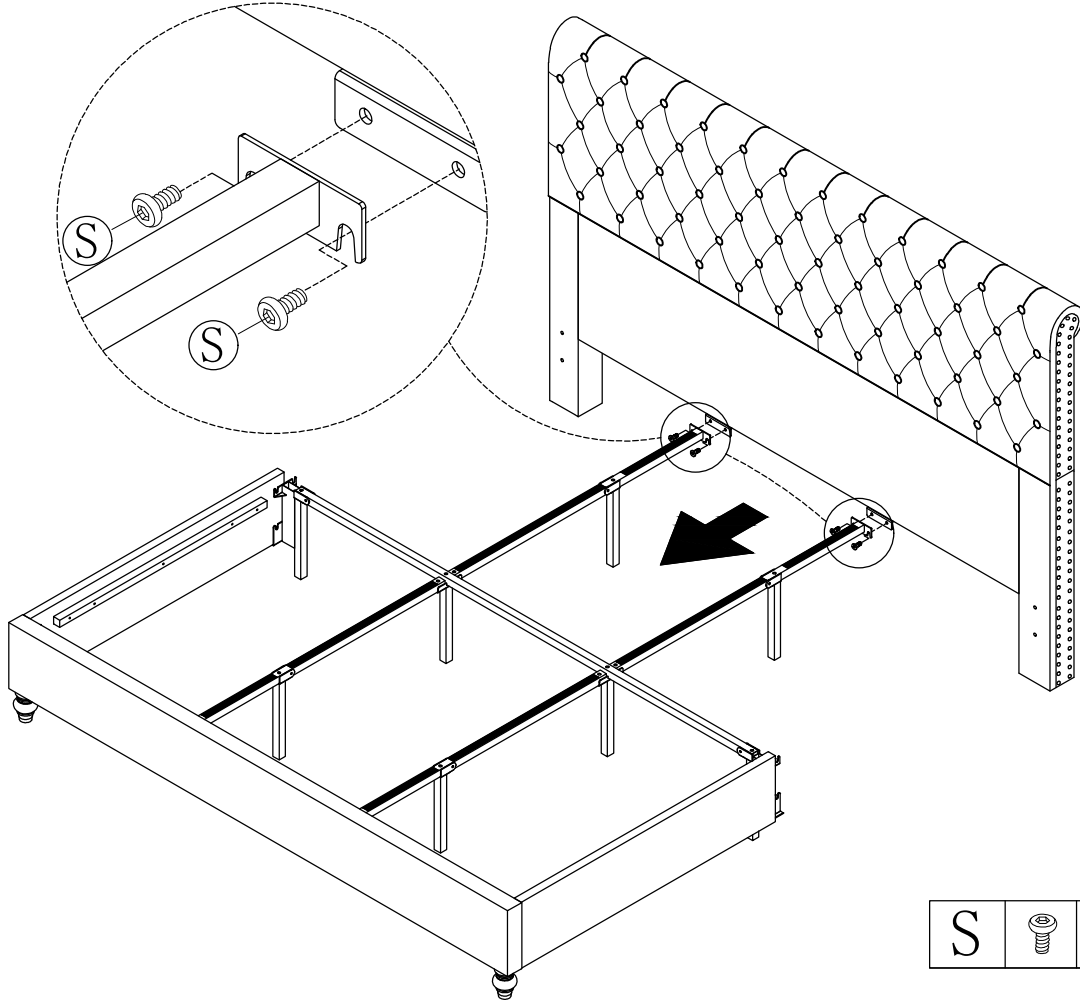
13




14

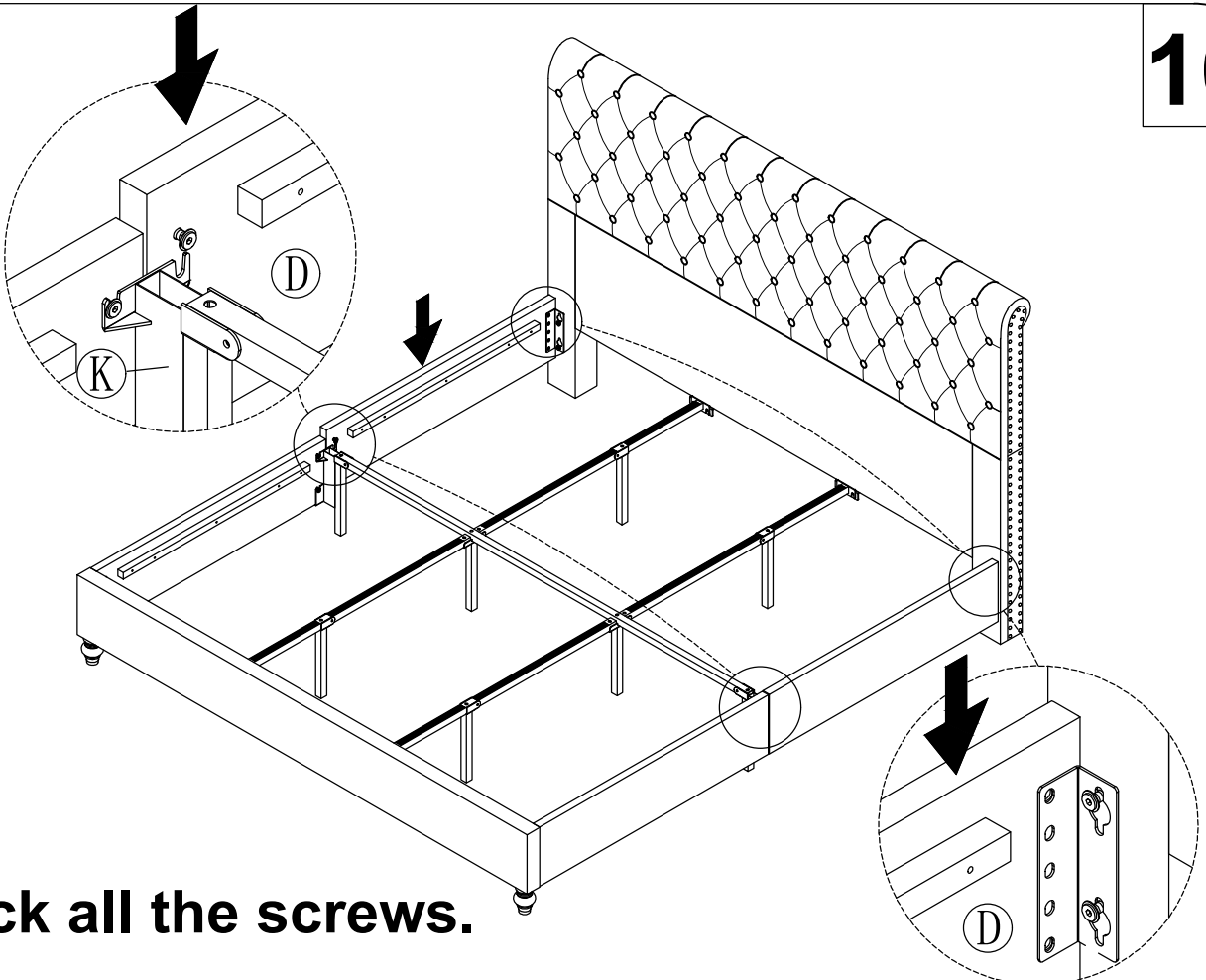


15



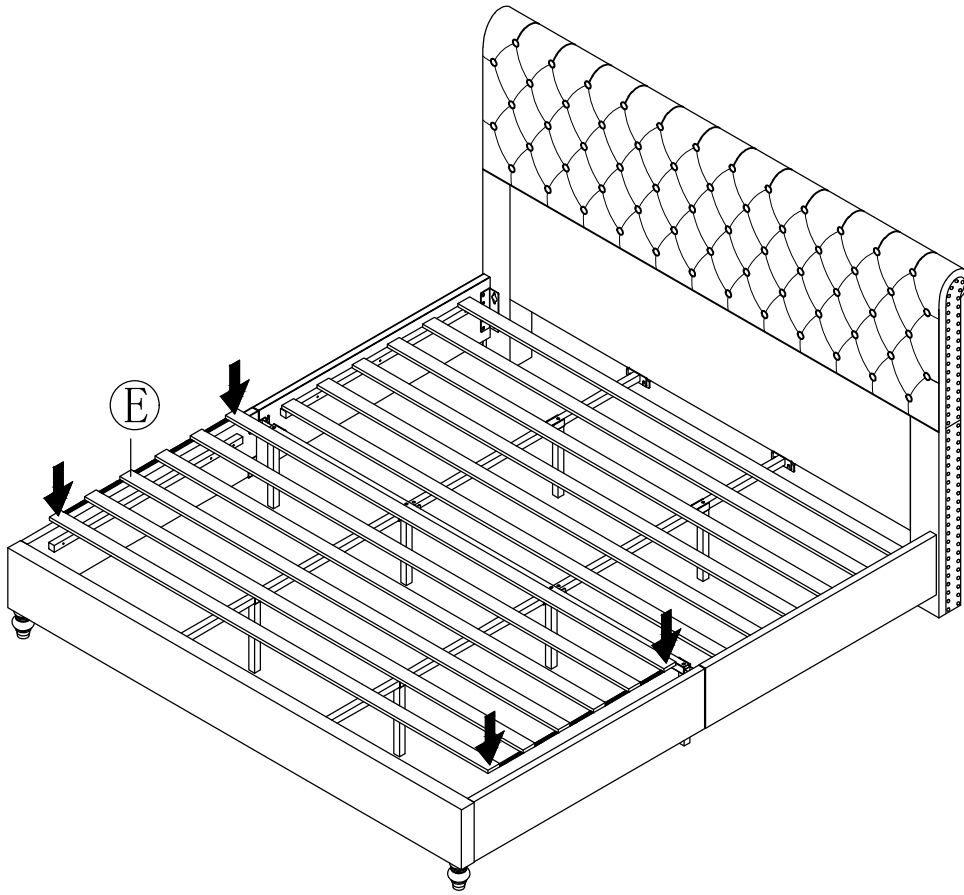
S		4PCS
---	---	------

16

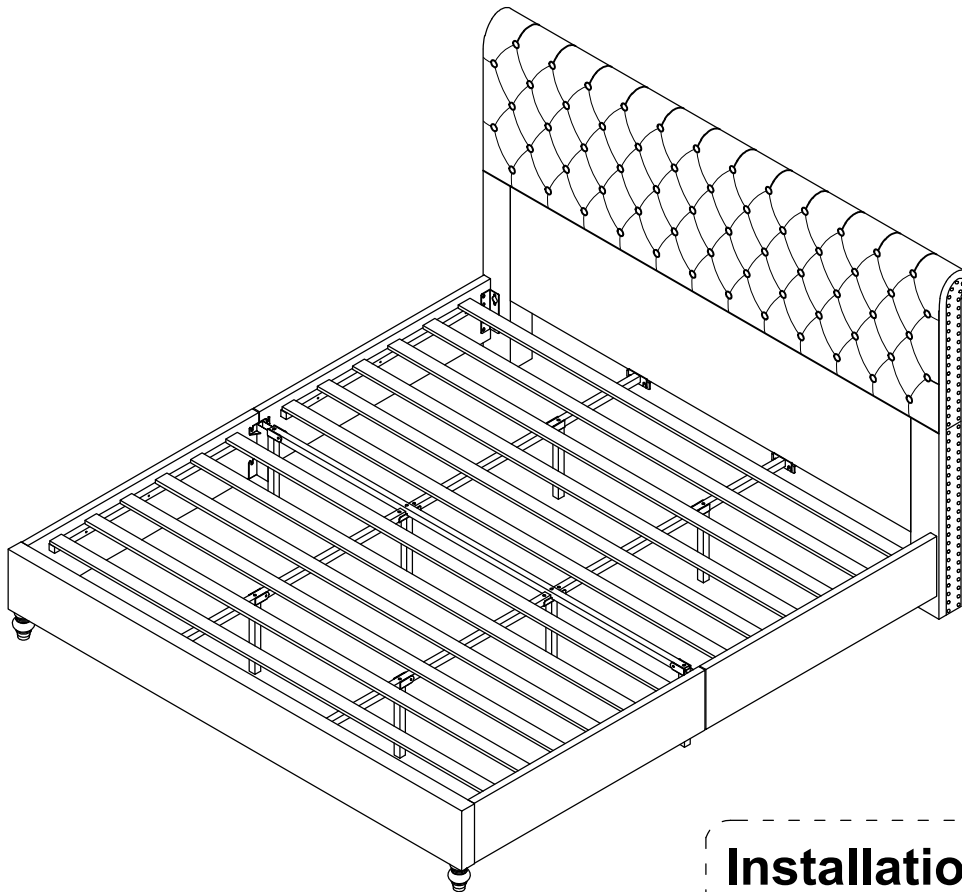


Lock all the screws.

17



18



Installation Complete