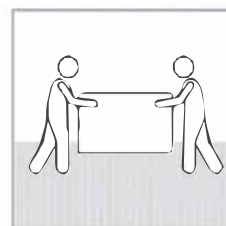
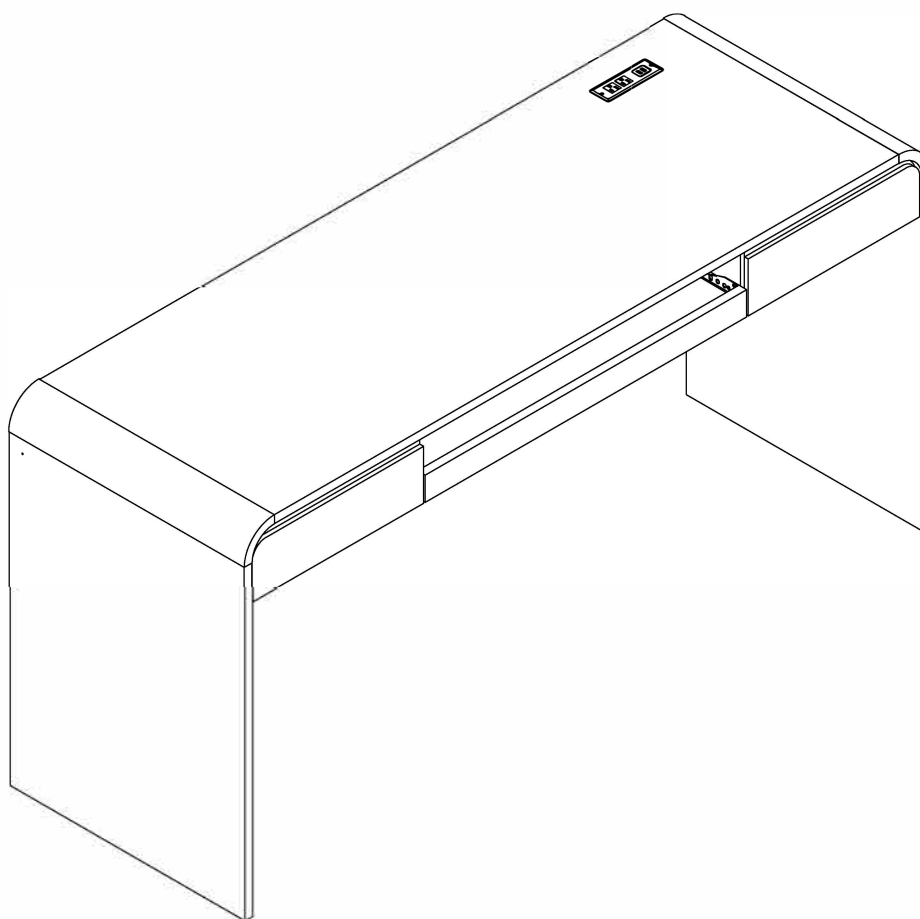
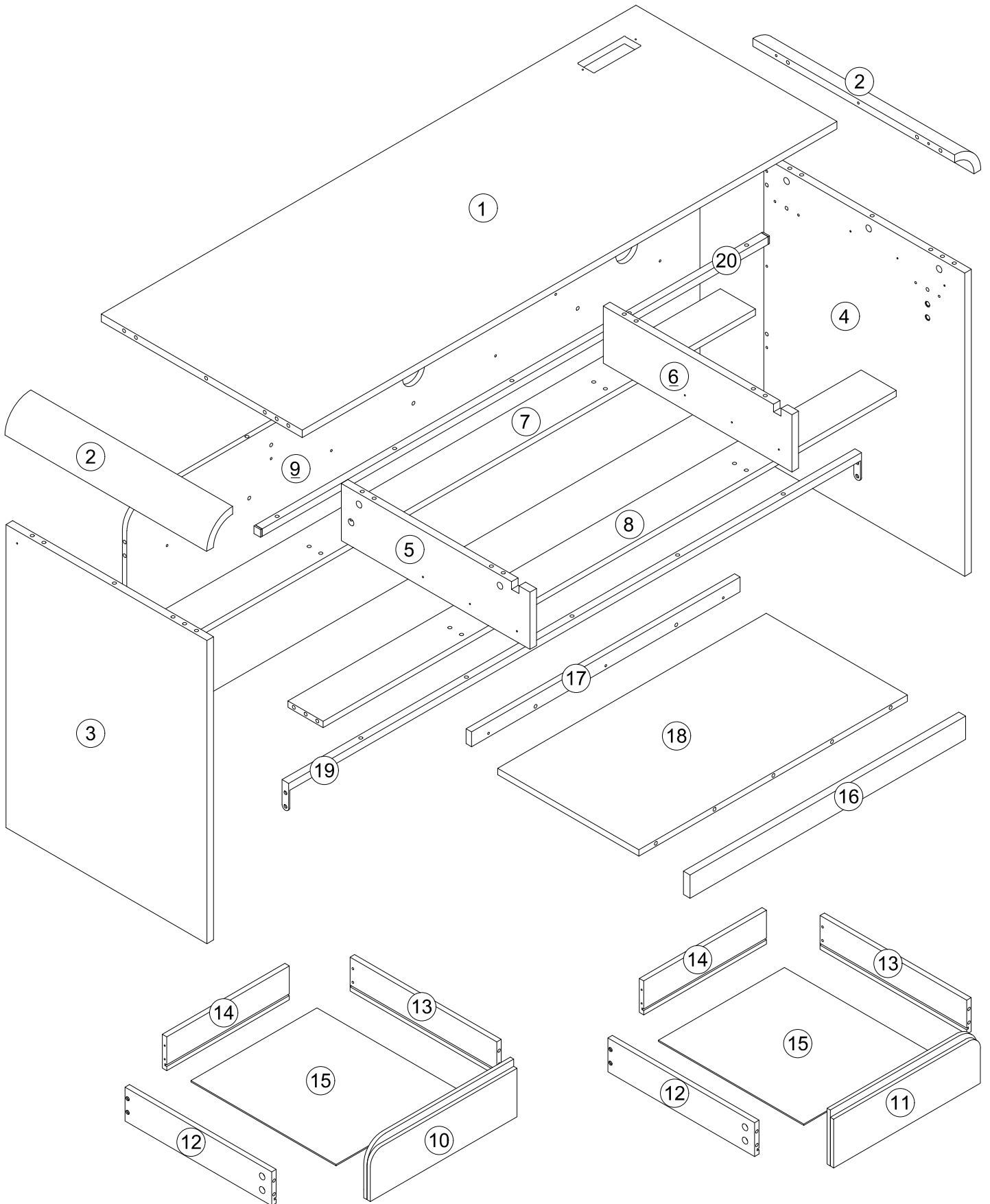


ASSEMBLY INSTRUCTIONS






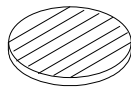
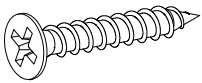
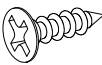

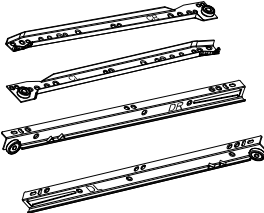
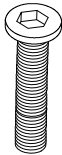
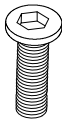
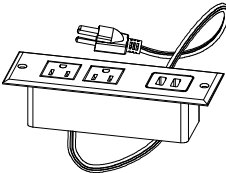

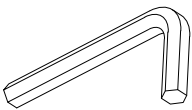
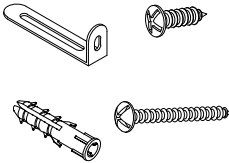
PACKAGE INCLUDE

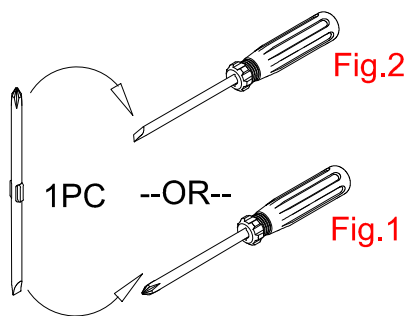


PACKAGE INCLUDE

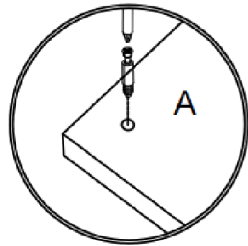
CODE	DESCRIPTION	QTY
1	Top Panel	1
2	Arc components	2
3	Left side panel	1
4	Right side panel	1
5	Left middle partition	1
6	Right middle partition	1
7	Rear pull strip	1
8	Front pull strip	1
9	Back plane	1
10	Left pull panel	1
11	Right pull panel	1
12	Left side panel of drawer	2
13	Right side panel of drawer	2
14	Drawer tailboard	2
15	Drawer bottom plate	2
16	Keyboard pull panel	1
17	Keyboard tailboard	1
18	Keyboard baseboard	1
19	Supporting iron pipes	1
20	Iron pipe under the panel	1

PACKAGE CONTENT

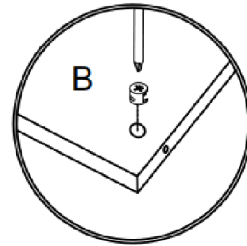
<p>L=25MM</p>  <p>(A) 54x+3</p>	<p>Ø15x9MM</p>  <p>(B) 54x+3</p>	<p>Ø8x30MM</p>  <p>(C) 40x+3</p>	<p>Ø23MM</p>  <p>(D) 54x+3</p>
<p>Ø4x30MM</p>  <p>(E) 8x</p>	<p>Ø3.5x12MM</p>  <p>(F) 36x+3</p>	<p>Ø6.1x48MM</p>  <p>(G) 4x</p>	 <p>(H) 3x</p>
<p>M6x28MM</p>  <p>(I) 10x+1</p>	<p>M6x12MM</p>  <p>(J) 4x</p>	 <p>(K) 1x</p>	<p>Ø3x12MM</p>  <p>(L) 2x</p>
 <p>(M) 1x</p>	 <p>(N) 2x</p>		



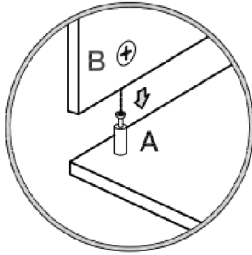
How to use the cam lock system



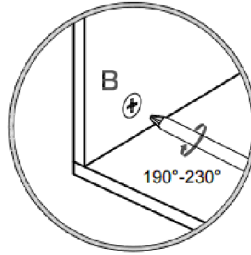
1. Screw cam bolt into panel



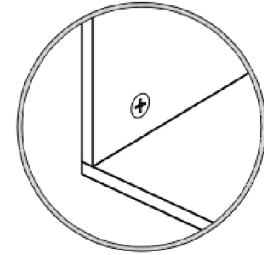
2. Push cam into panel - arrow feature on cam top points to panel edge



3. Align cam bolt(s) with cam(s) and insert all the way into cross-bored hole(s)

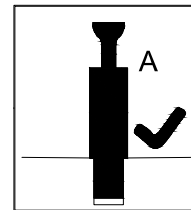
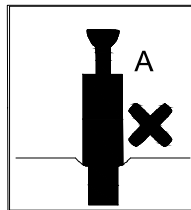
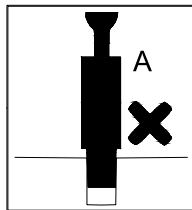
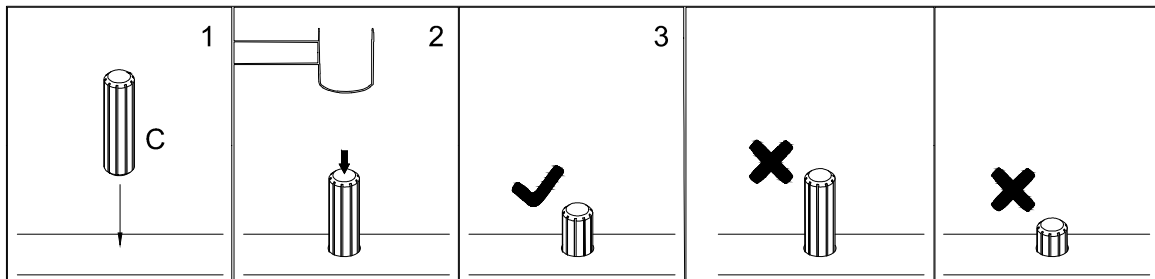


4. Rotate cam(s) clockwise 190°-230° to lock panels together



5. Panels should be tight against each other and connection should be rigid

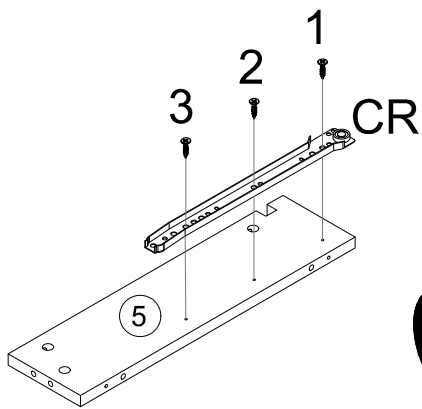
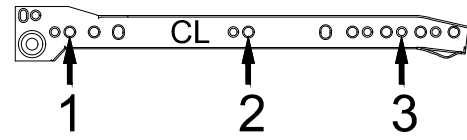
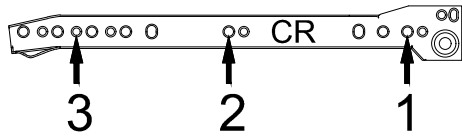
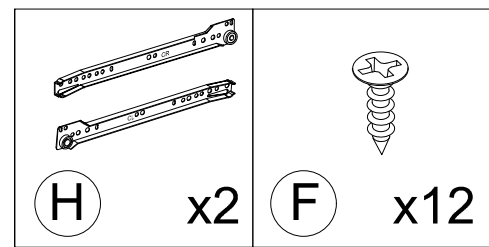
Insert the wood dowel (C) at least half way by tapping lightly with a rubber mallet, IT NECESSARY.



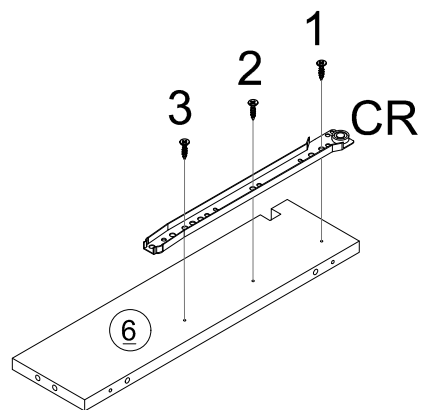
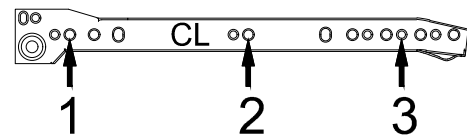
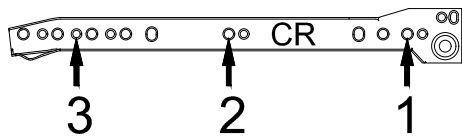
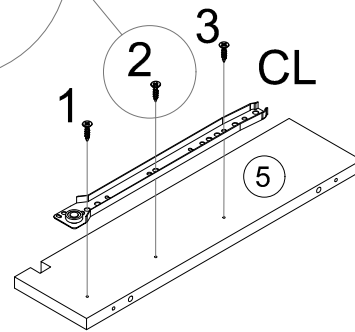
WARNING

- Unit must be placed on a level surface or leveled with included hardware (when applicable).
- Do not sit or stand on or allow children to climb, sit or stand on the assembled product.
- For safety reasons, it is imperative that this unit be mounted to the wall.
- Do not use without installing the tip restraint.
- Unit can tip over causing severe injury or death.
- Do not exceed the recommended weight limits.
- Evenly distribute the weight on each level and always keep the heavier loads on the bottom.
- Before cutting, drilling or hammering into any wall or floor surface, verify the location of electrical, plumbing and gas lines. Cutting may cause serious injury.

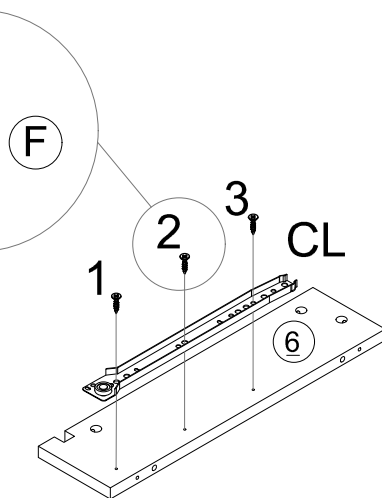
STEP 1



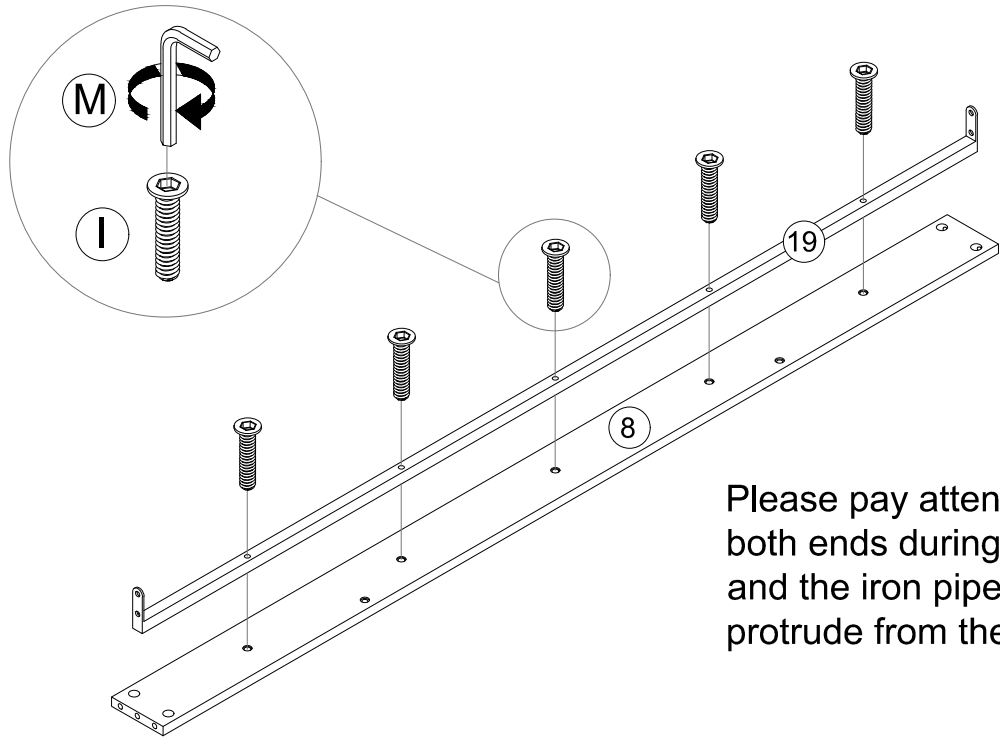
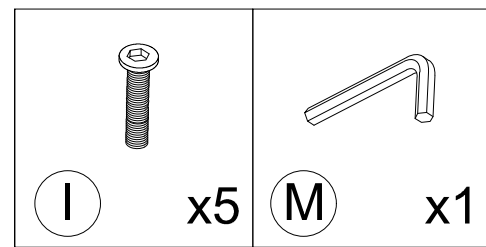
Flip180°



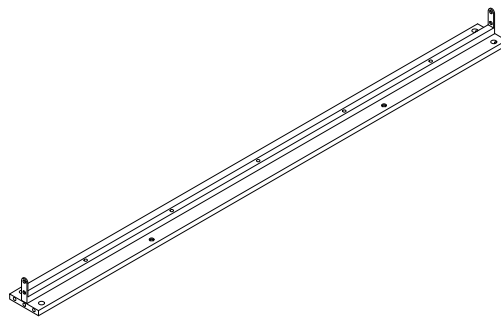
Flip180°





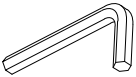
STEP 2

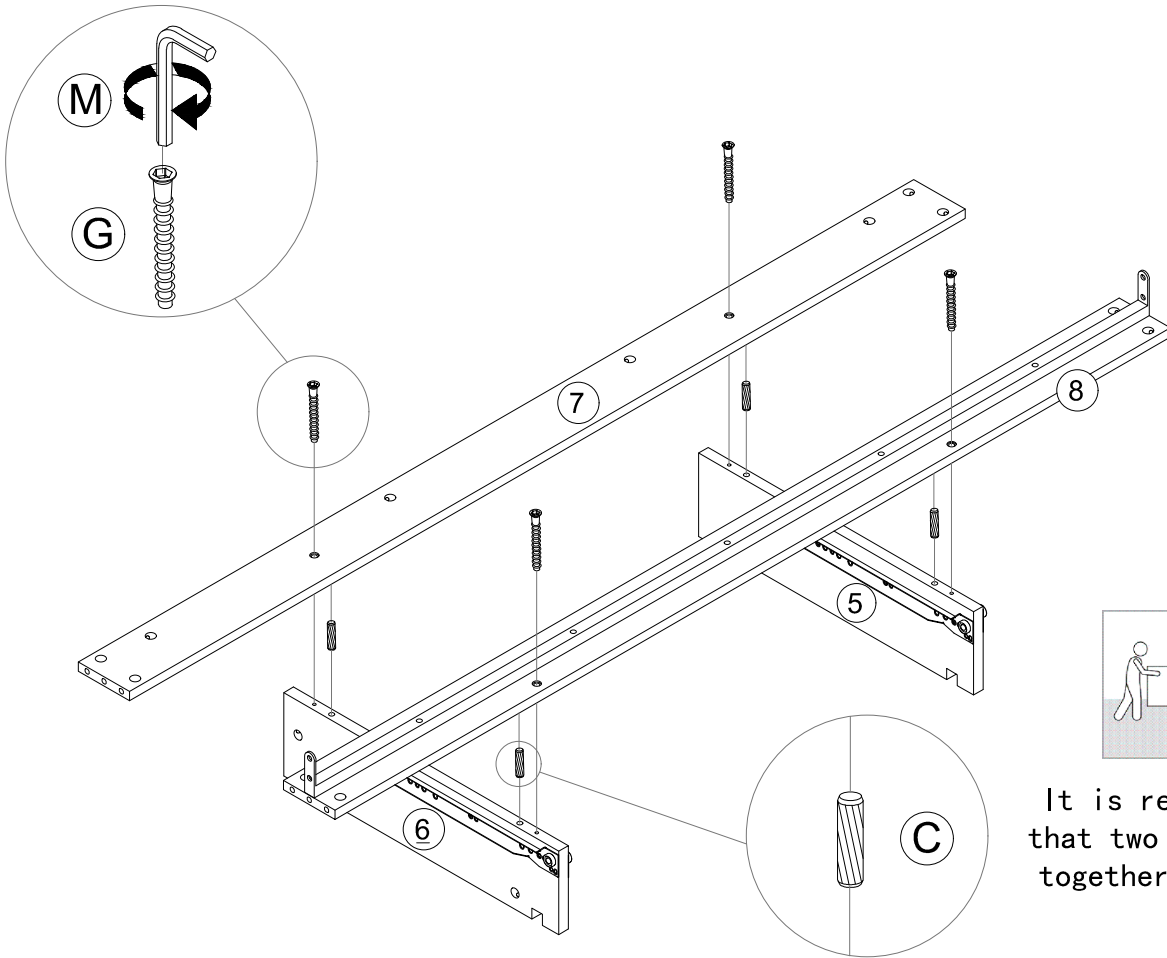


Please pay attention to aligning both ends during installation, and the iron pipe should not protrude from the wooden board

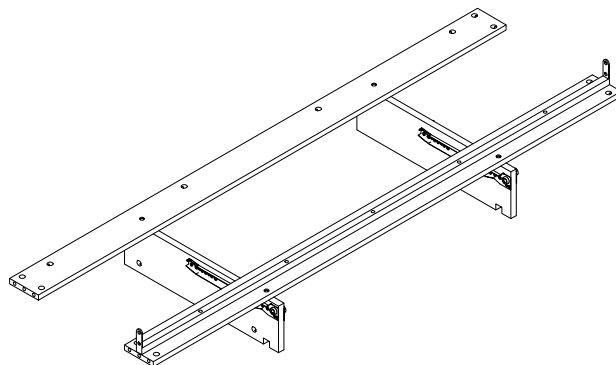


STEP 3

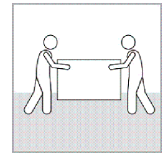
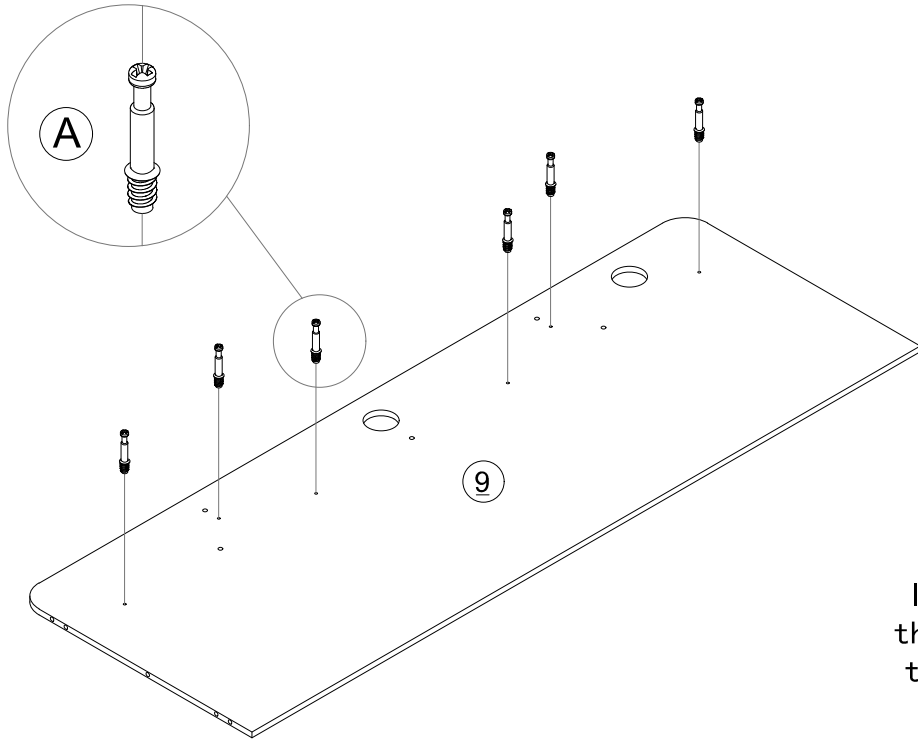
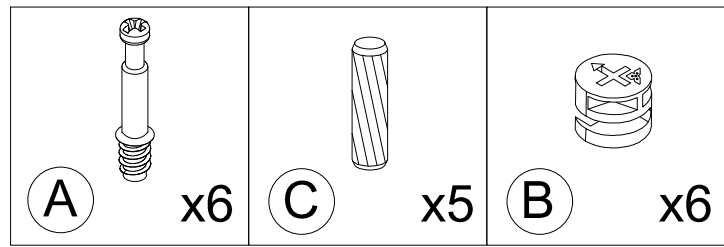
					
G	x4	C	x4	M	x1



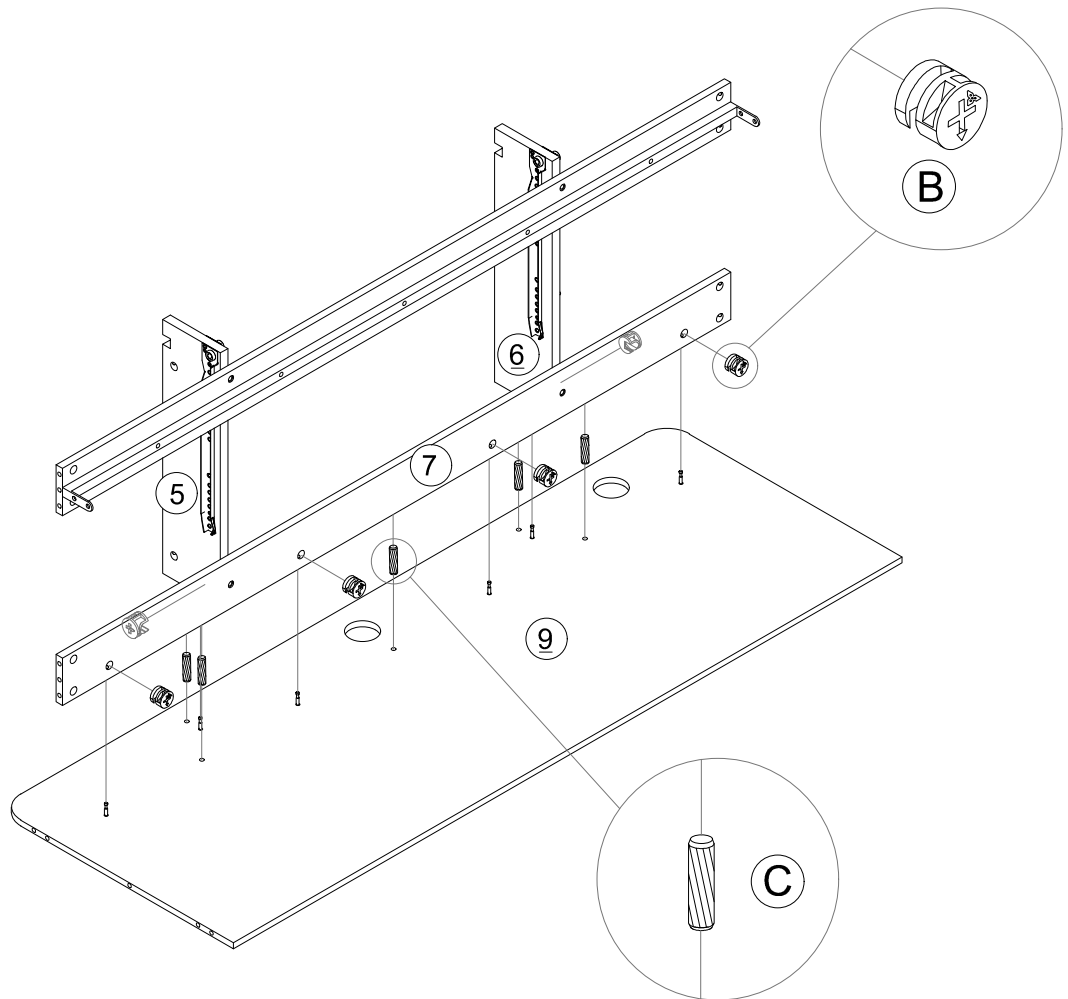
It is recommended that two people work together to install



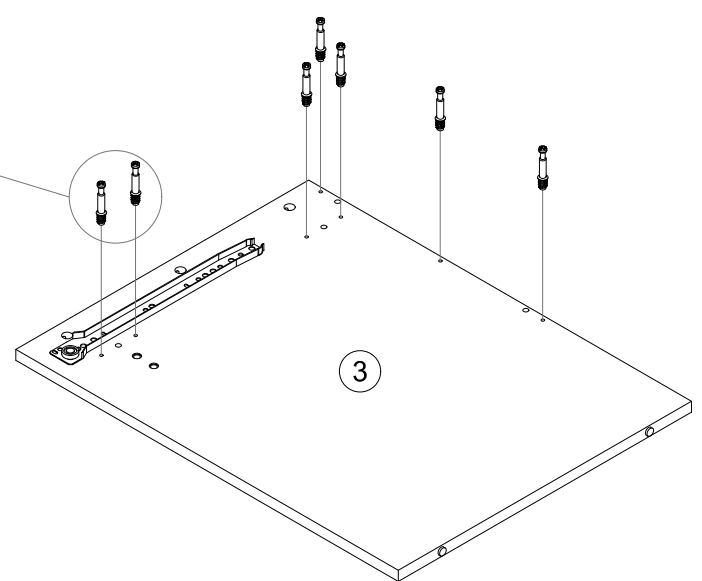
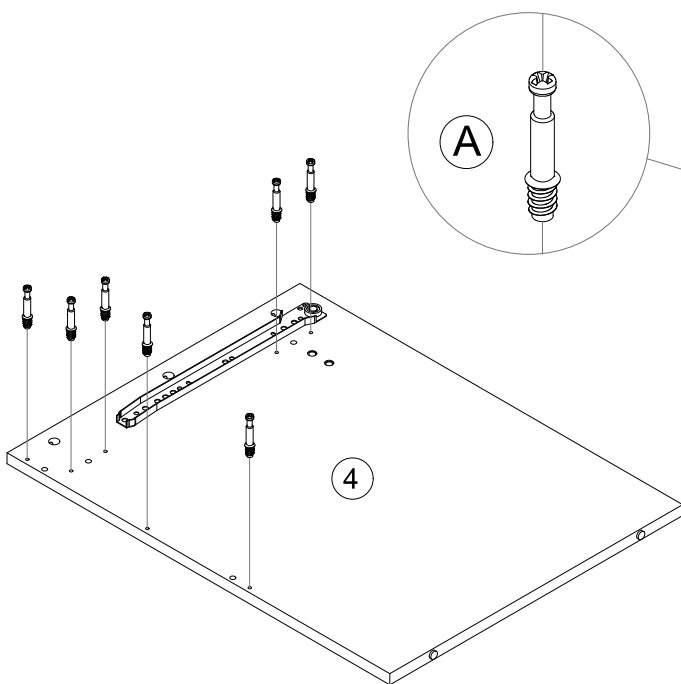
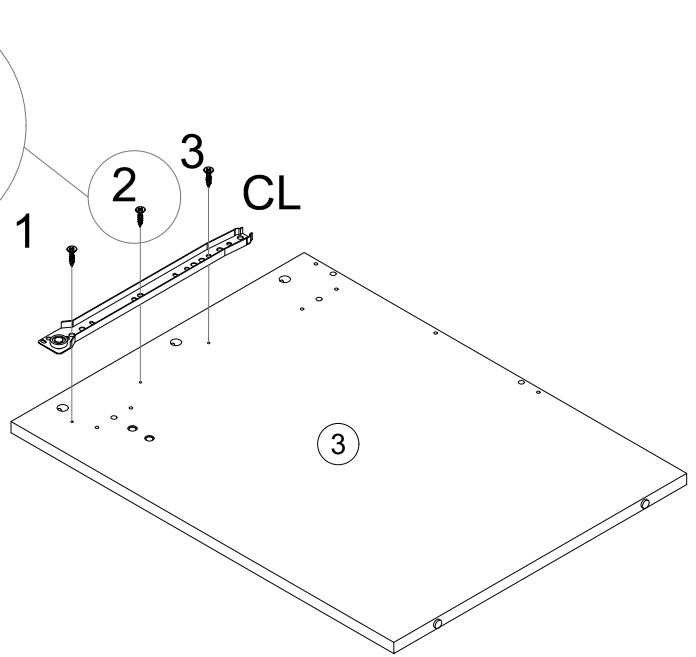
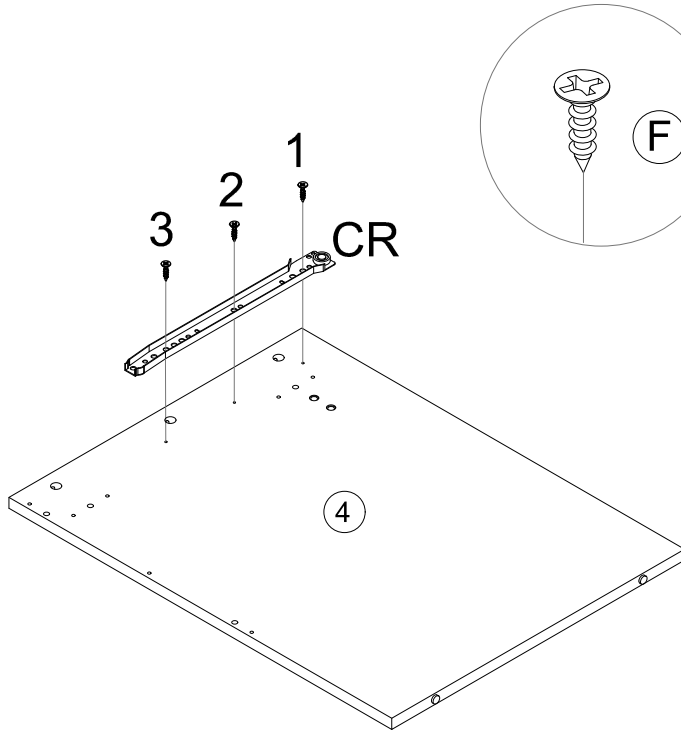
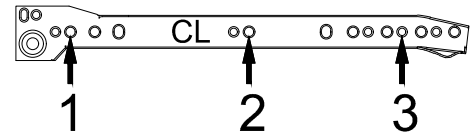
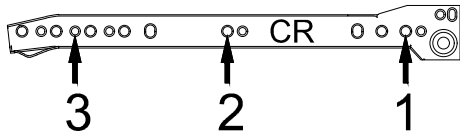
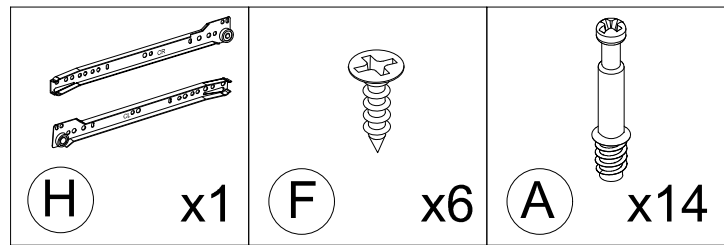
STEP 4





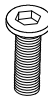
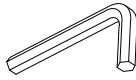
It is recommended that two people work together to install

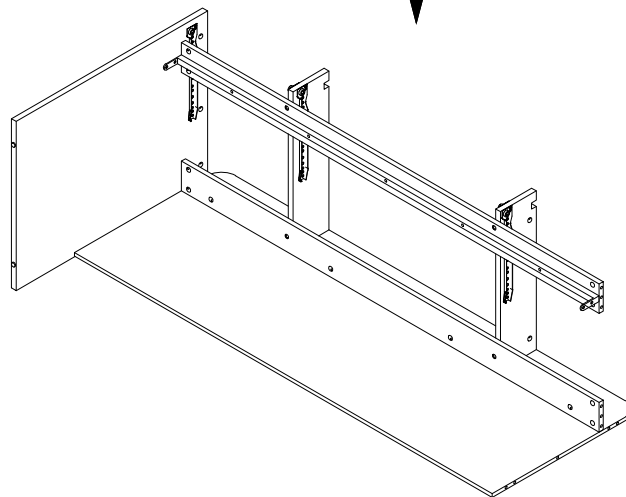
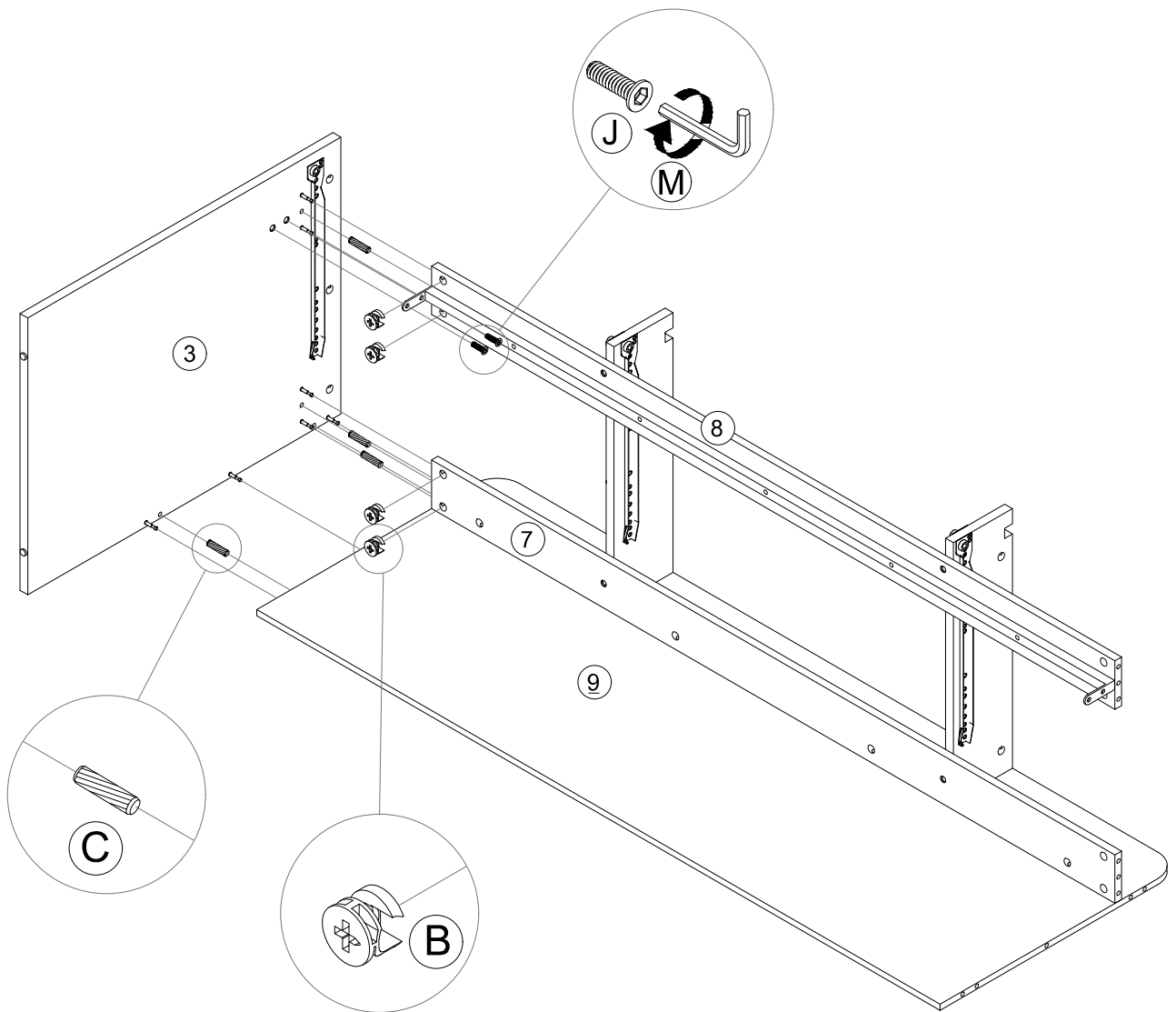


STEP 5



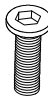
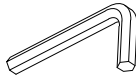


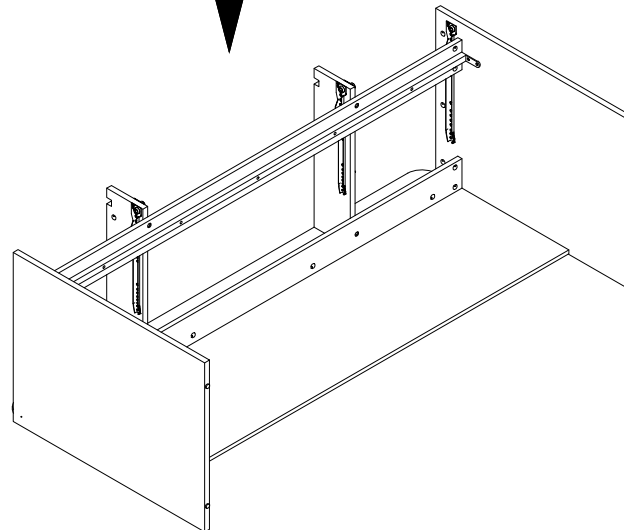
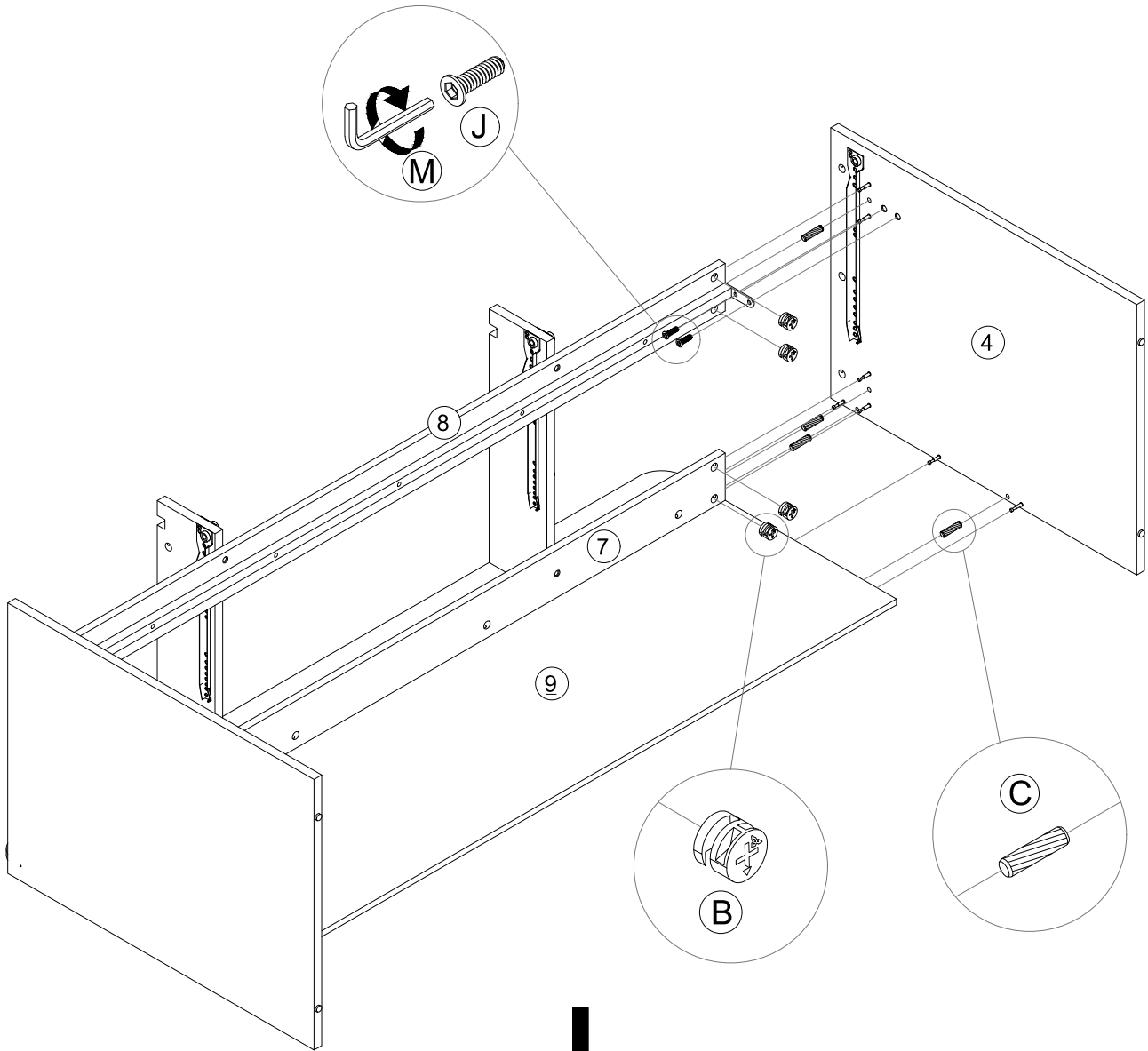
STEP 6

			
C x4	B x4	J x2	M x1

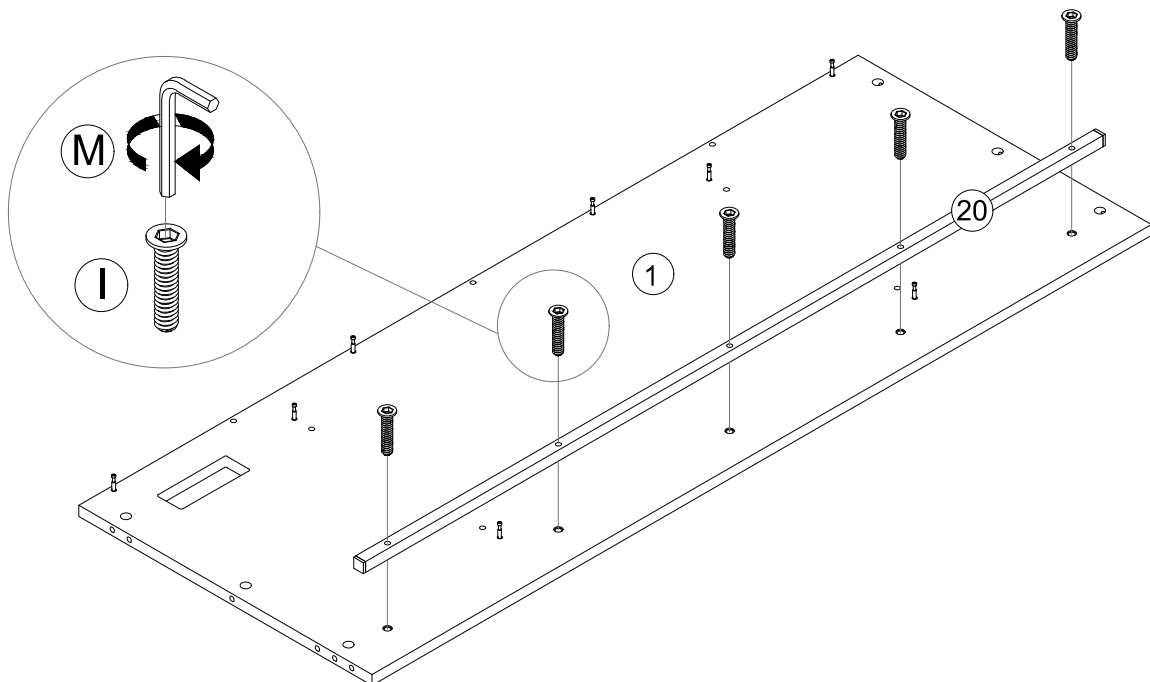
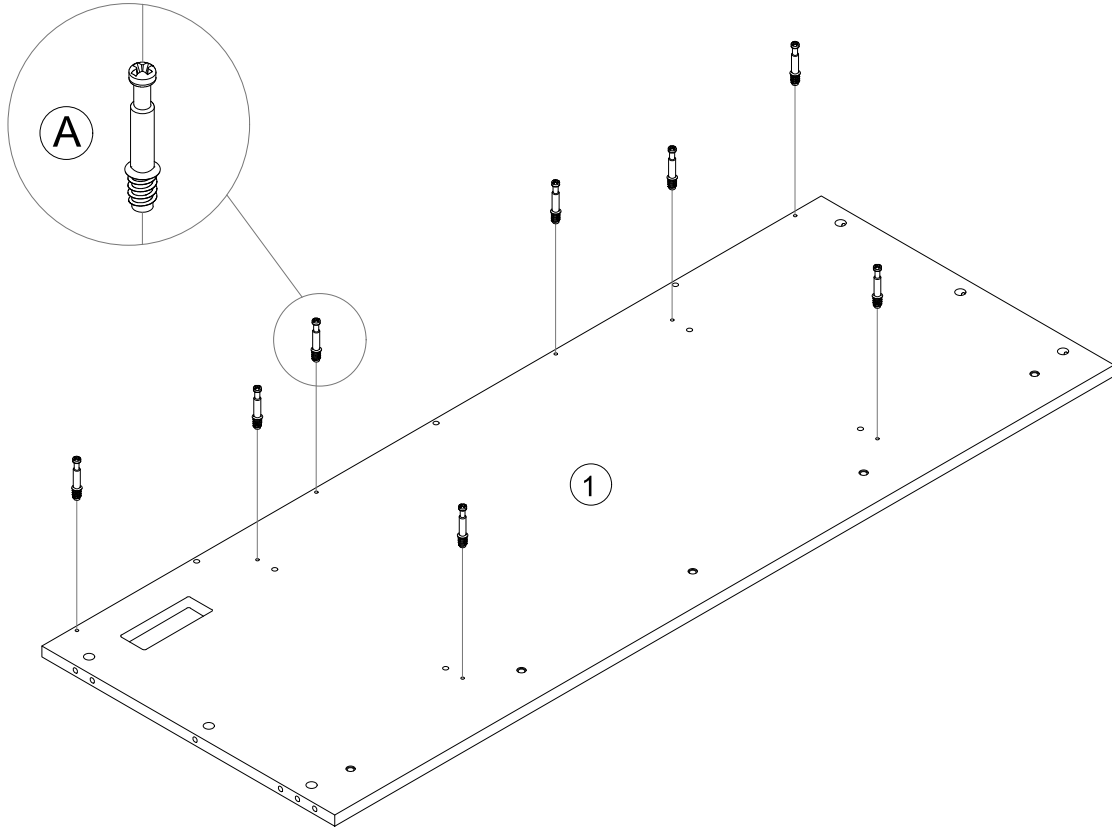
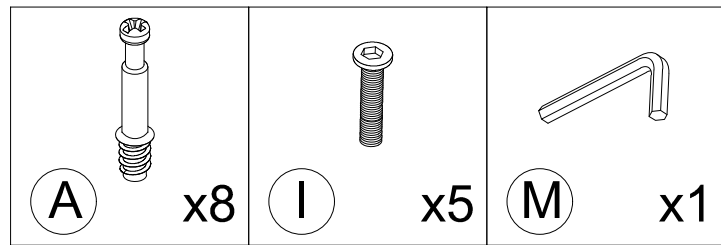


STEP 7

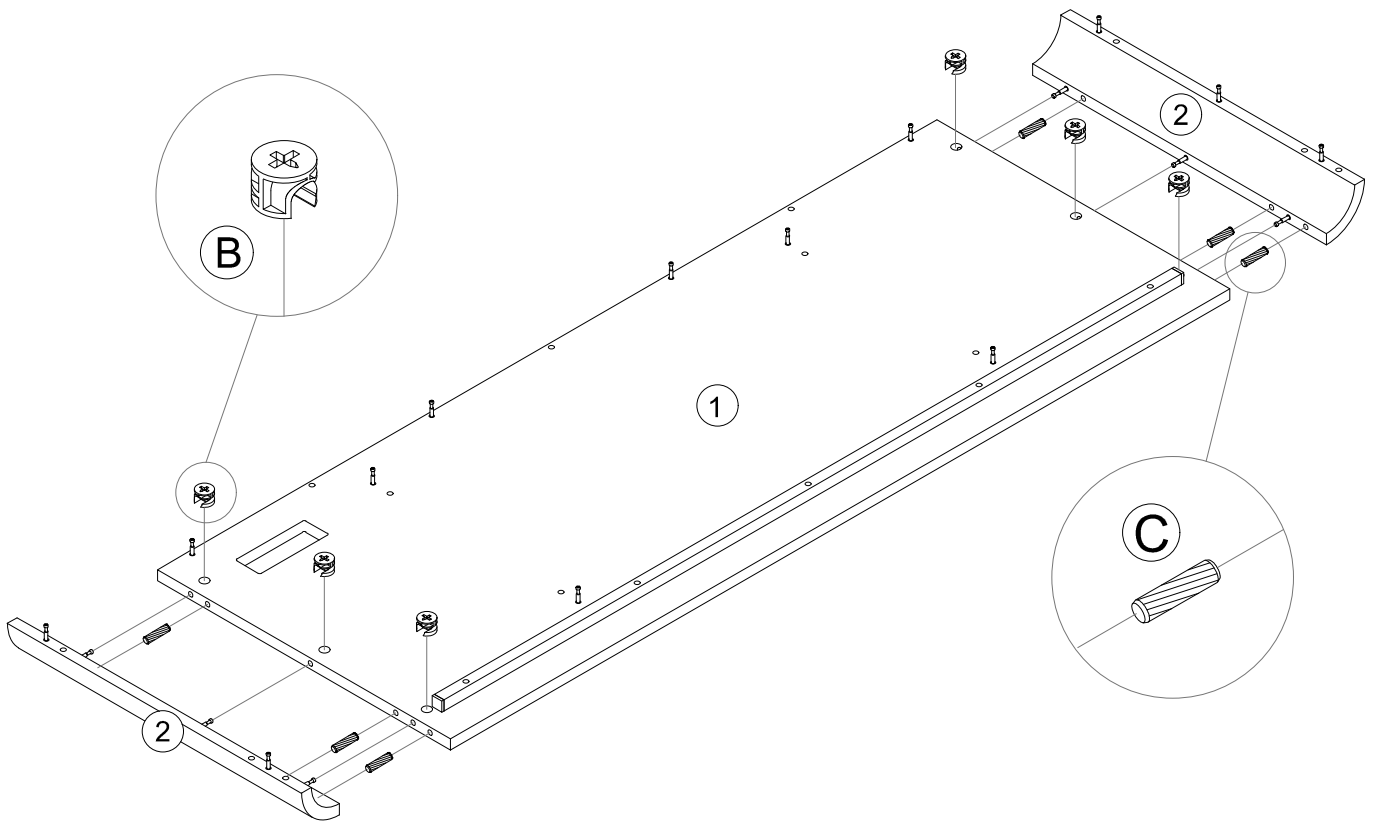
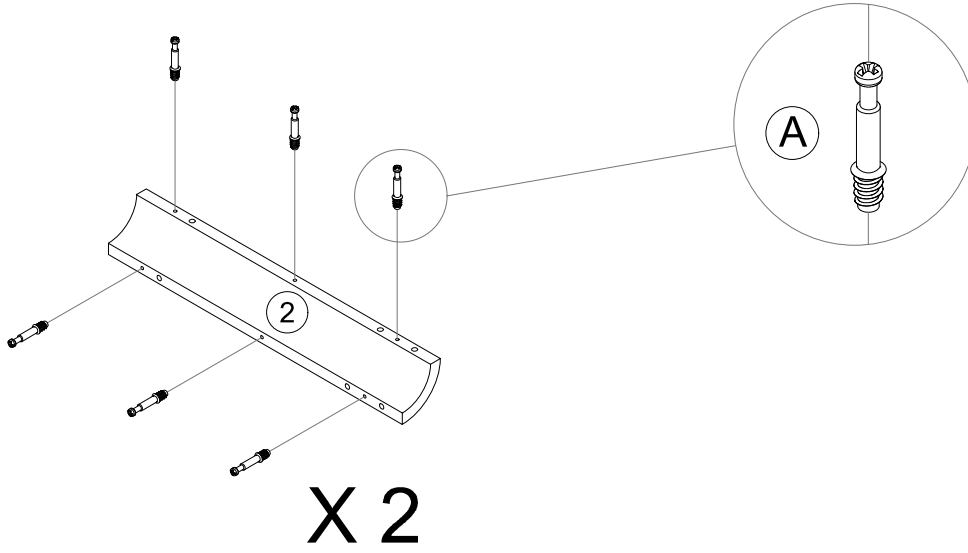
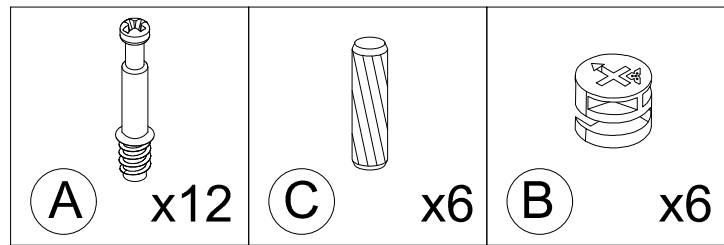
			
C x4	B x4	J x2	M x1



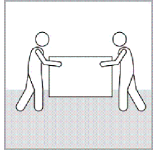
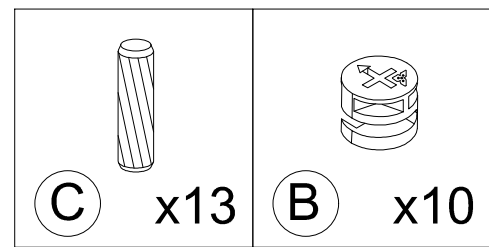
STEP 8



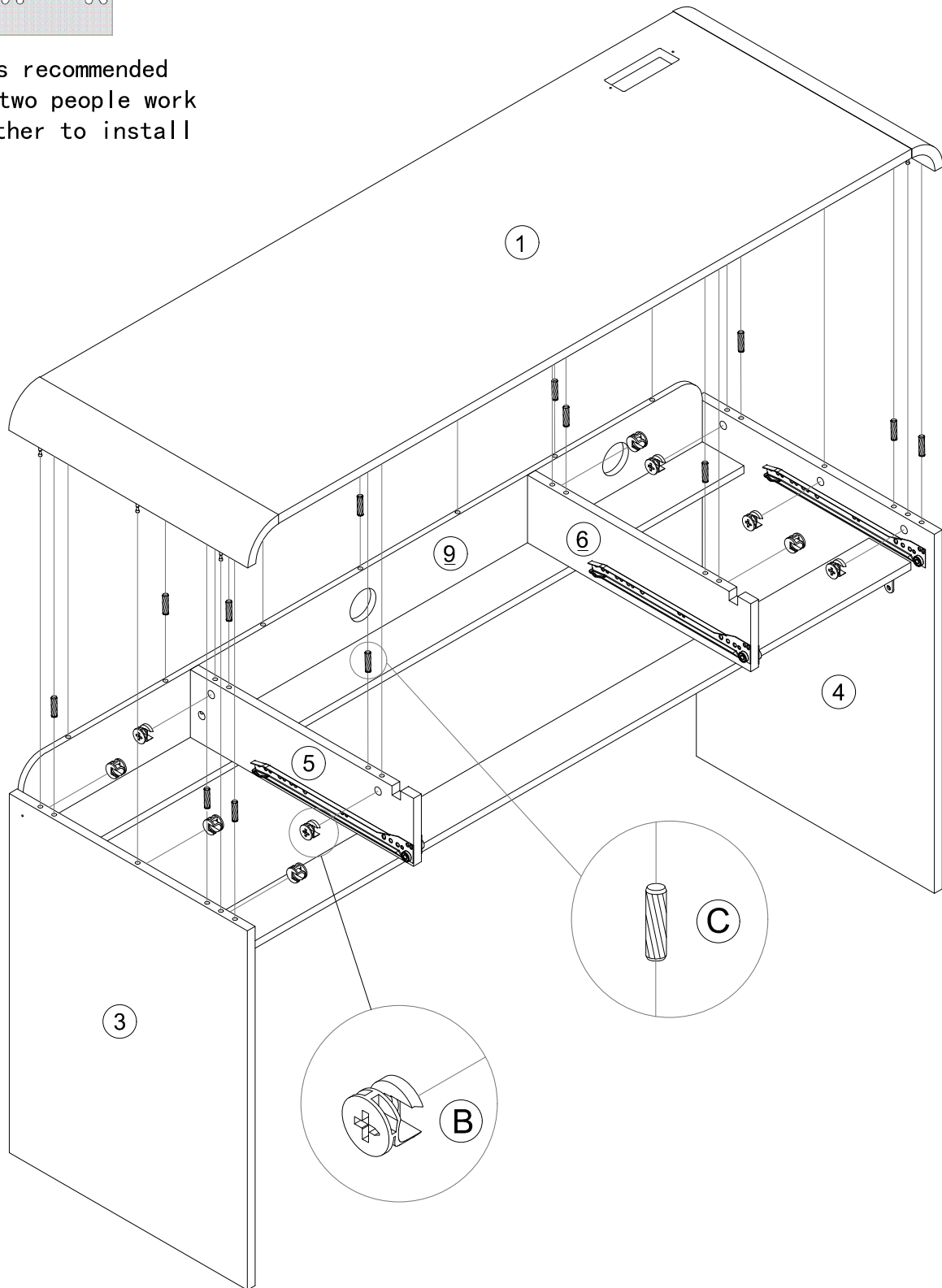
STEP 9



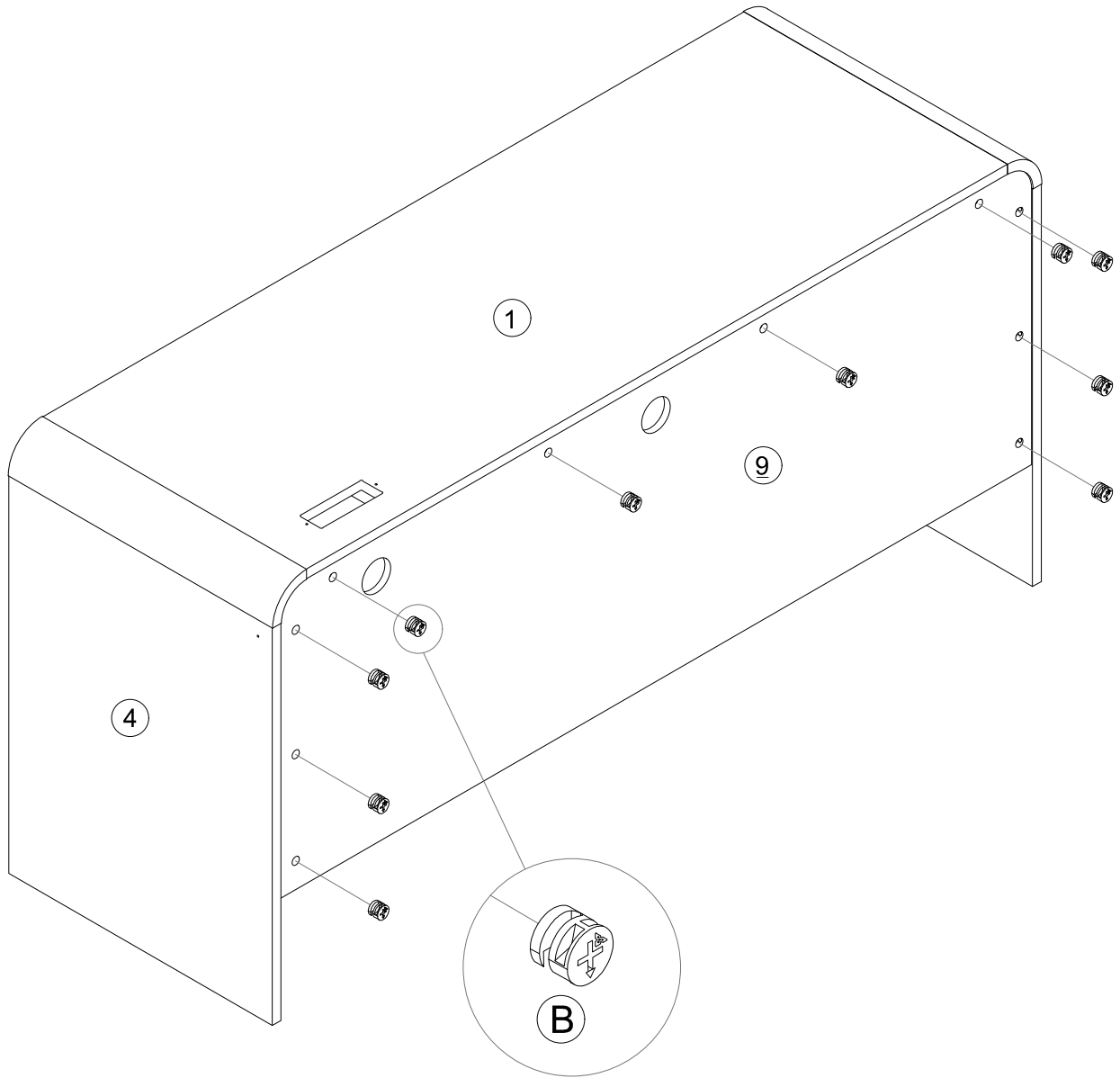
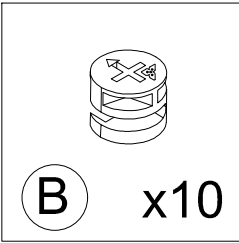
STEP 10



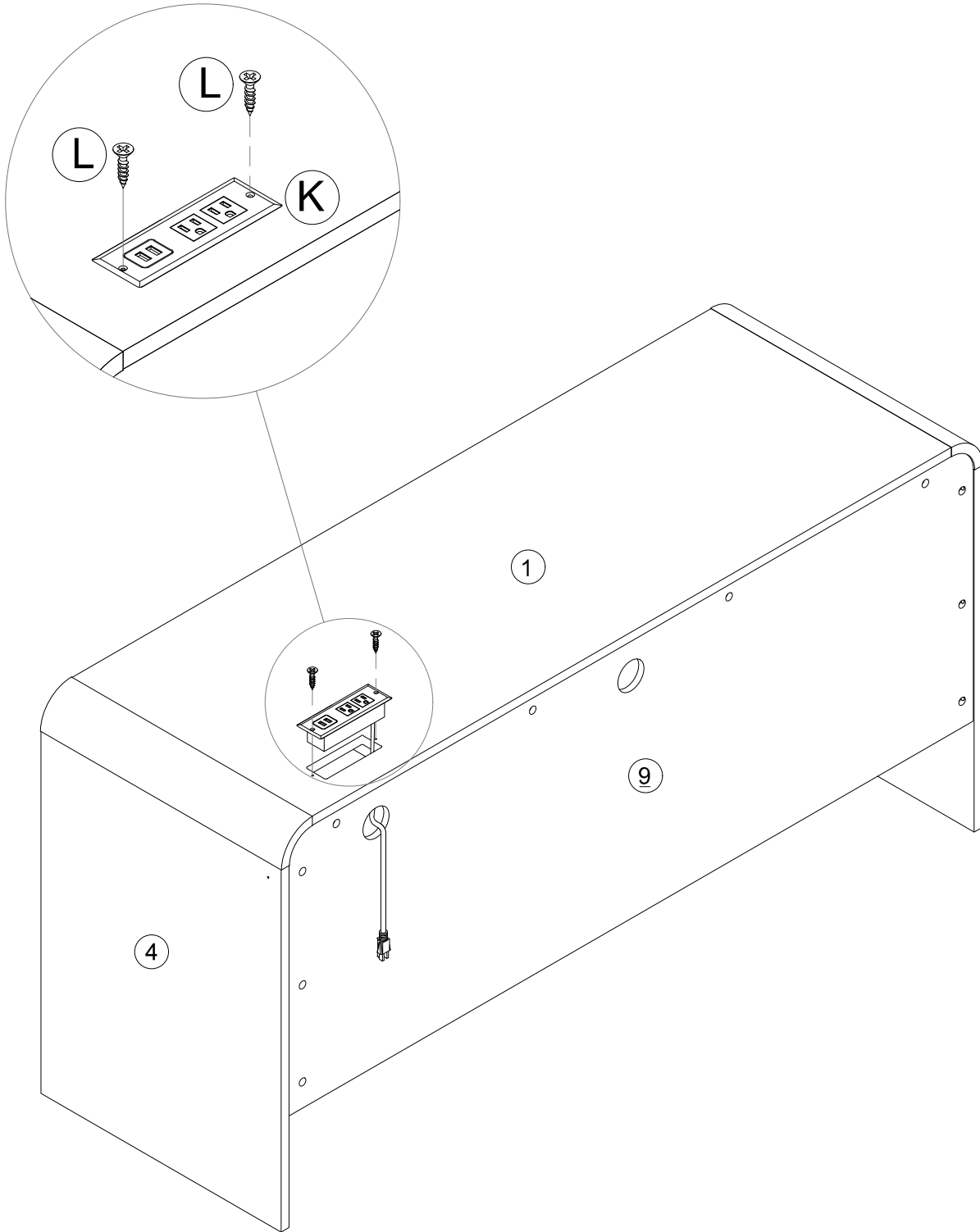
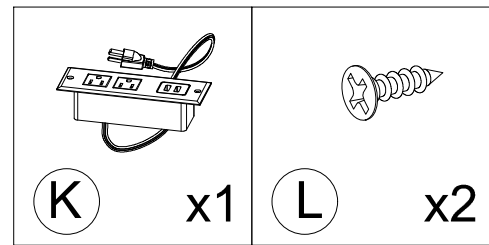
It is recommended that two people work together to install



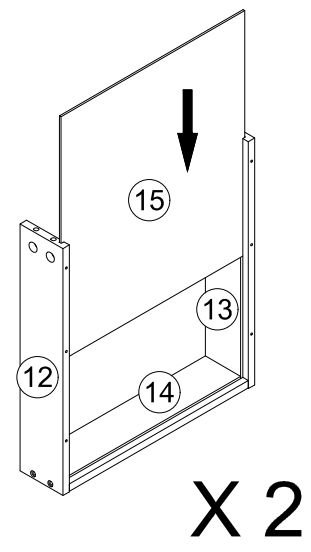
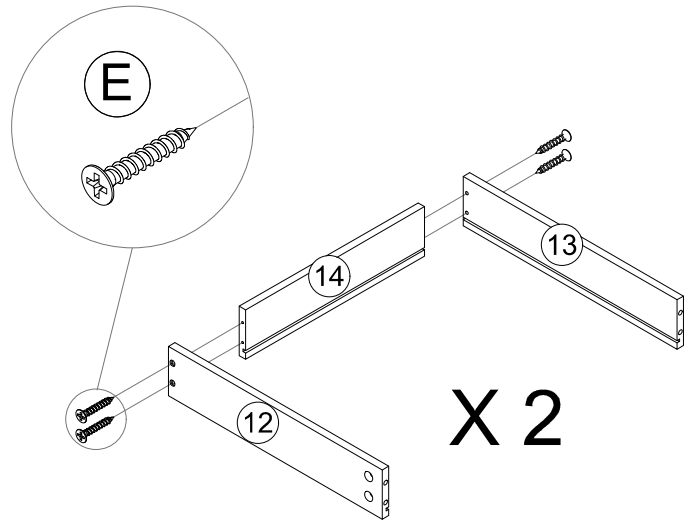
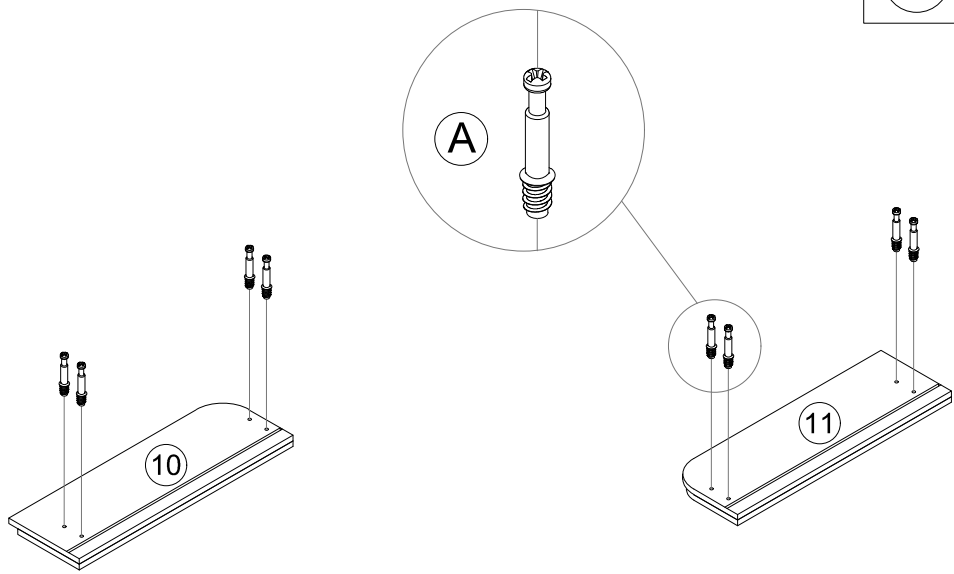
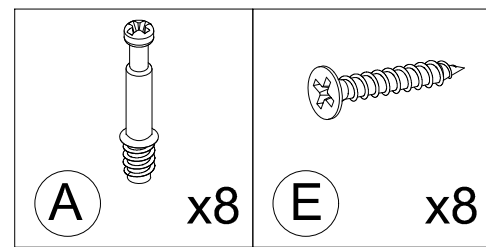
STEP 11



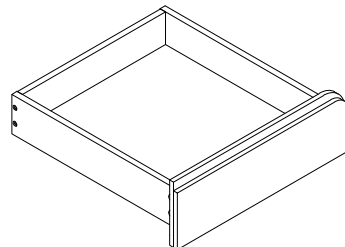
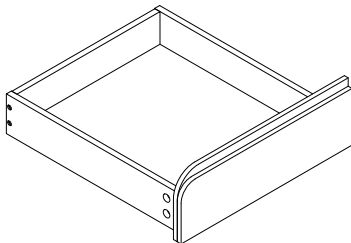
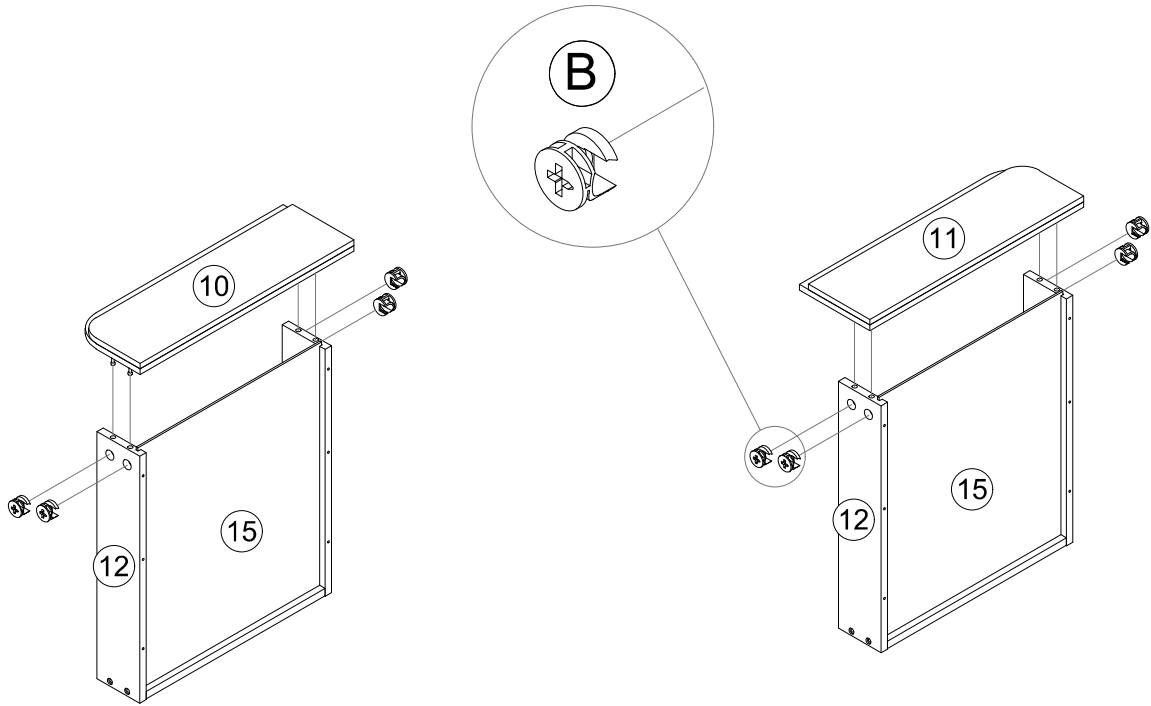
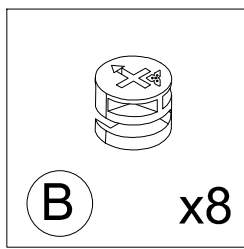
STEP 12



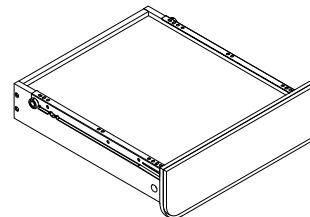
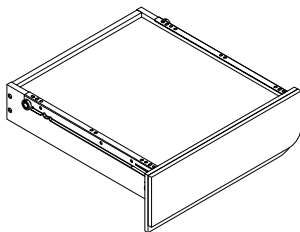
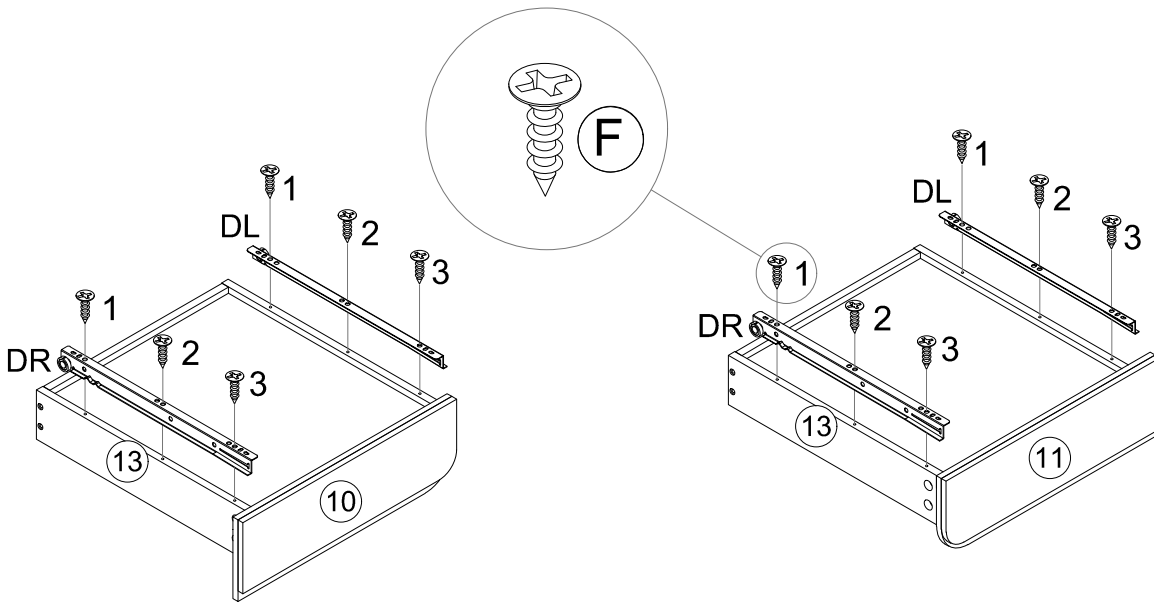
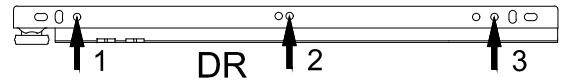
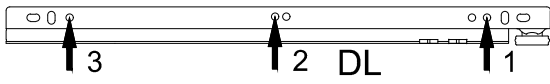
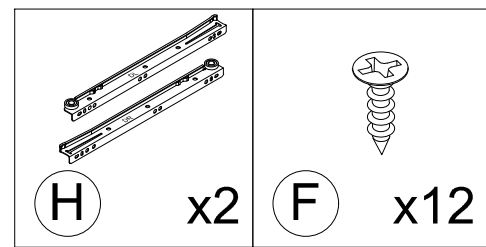
STEP 13



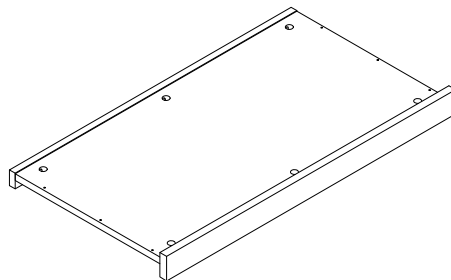
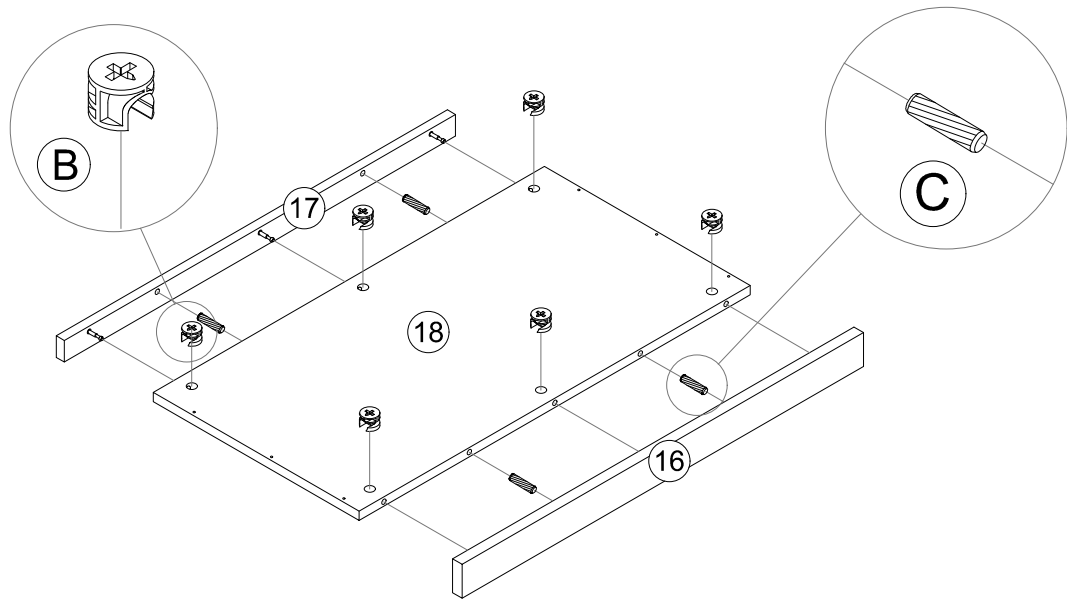
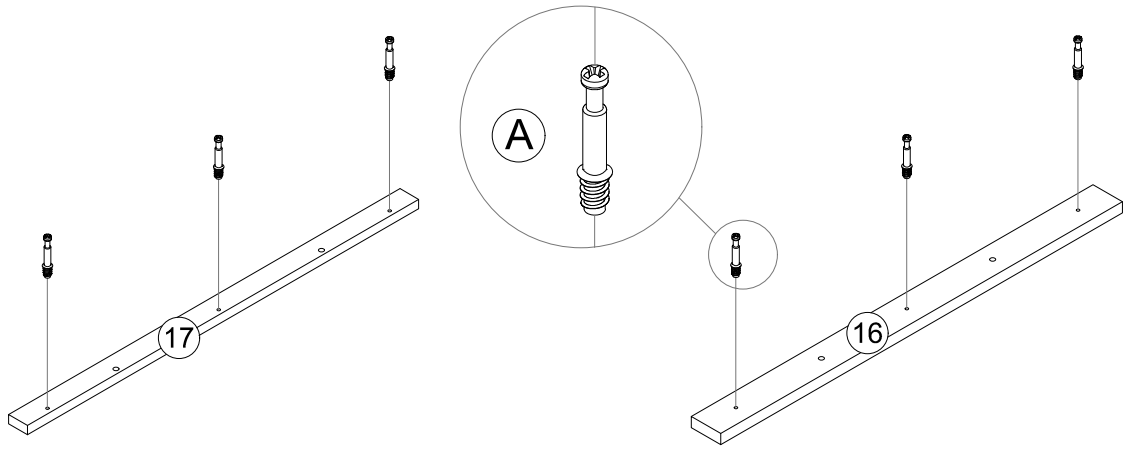
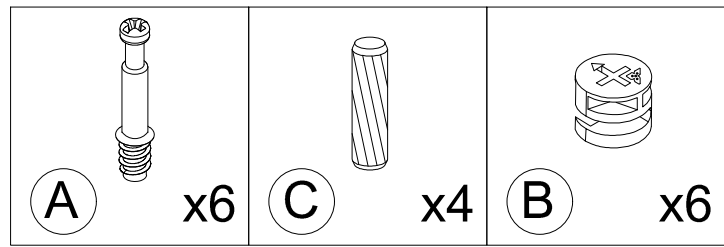
STEP 14



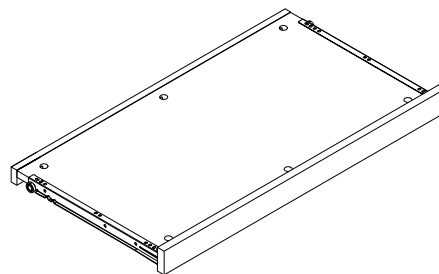
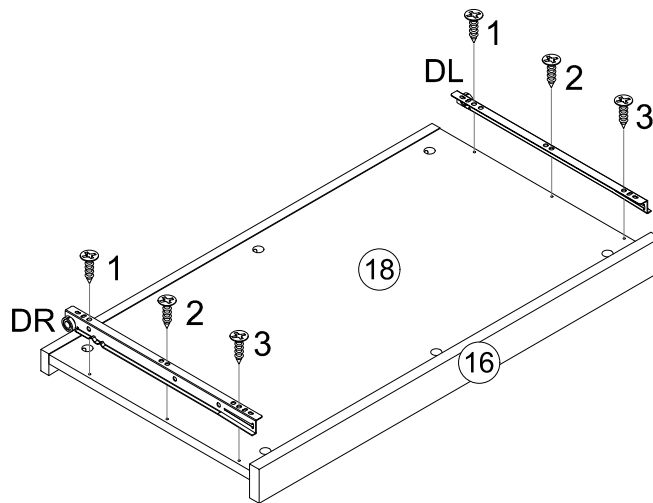
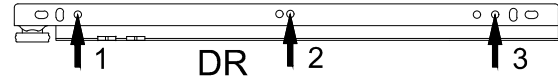
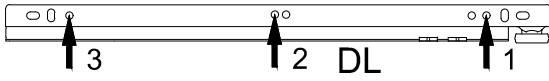
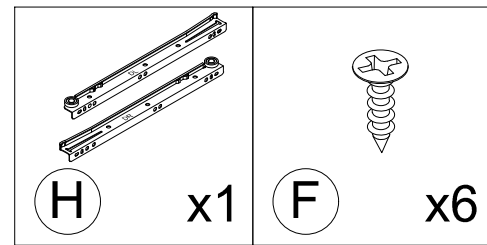
STEP 15



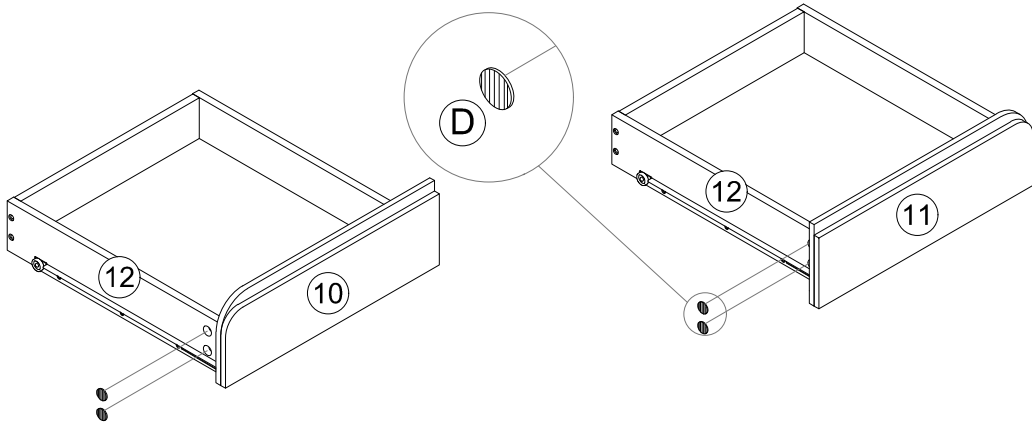
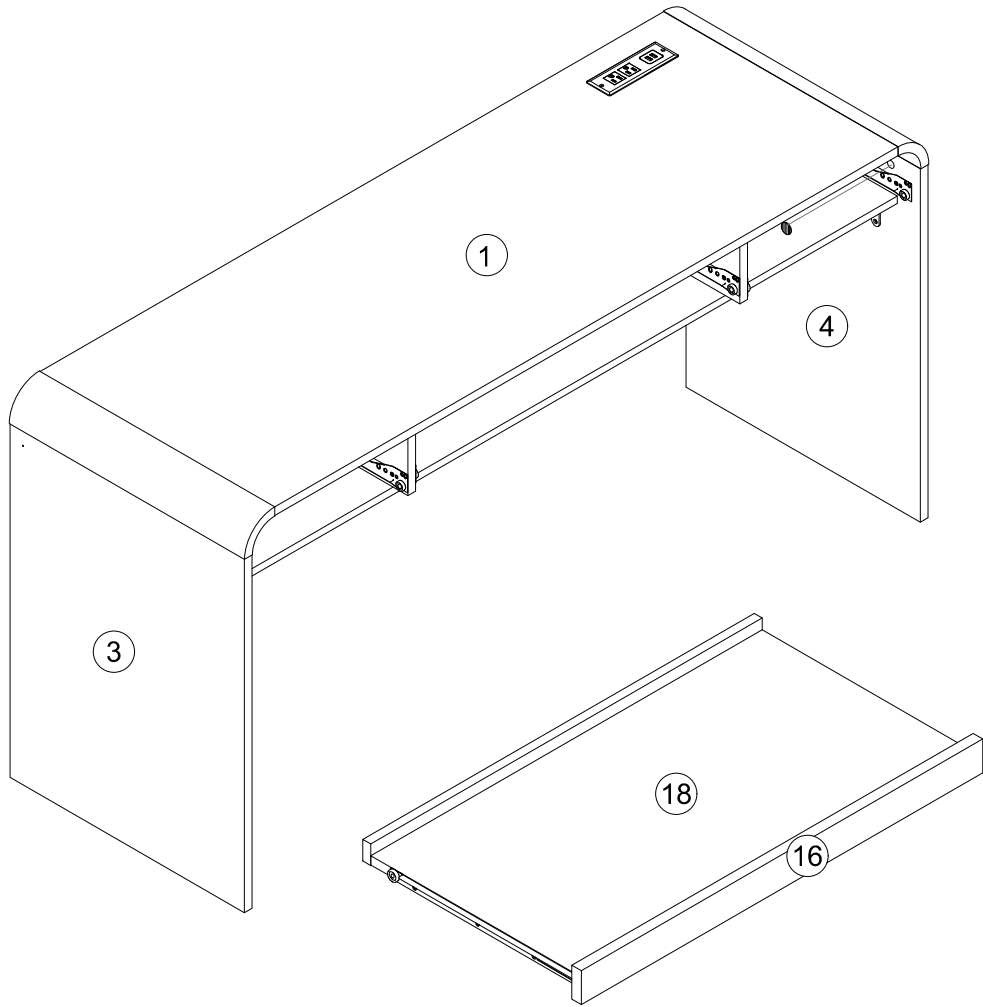
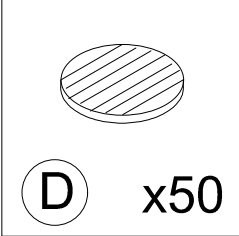
STEP 16



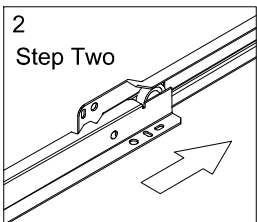
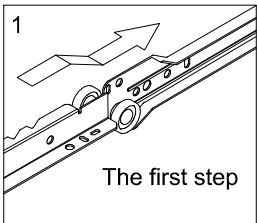
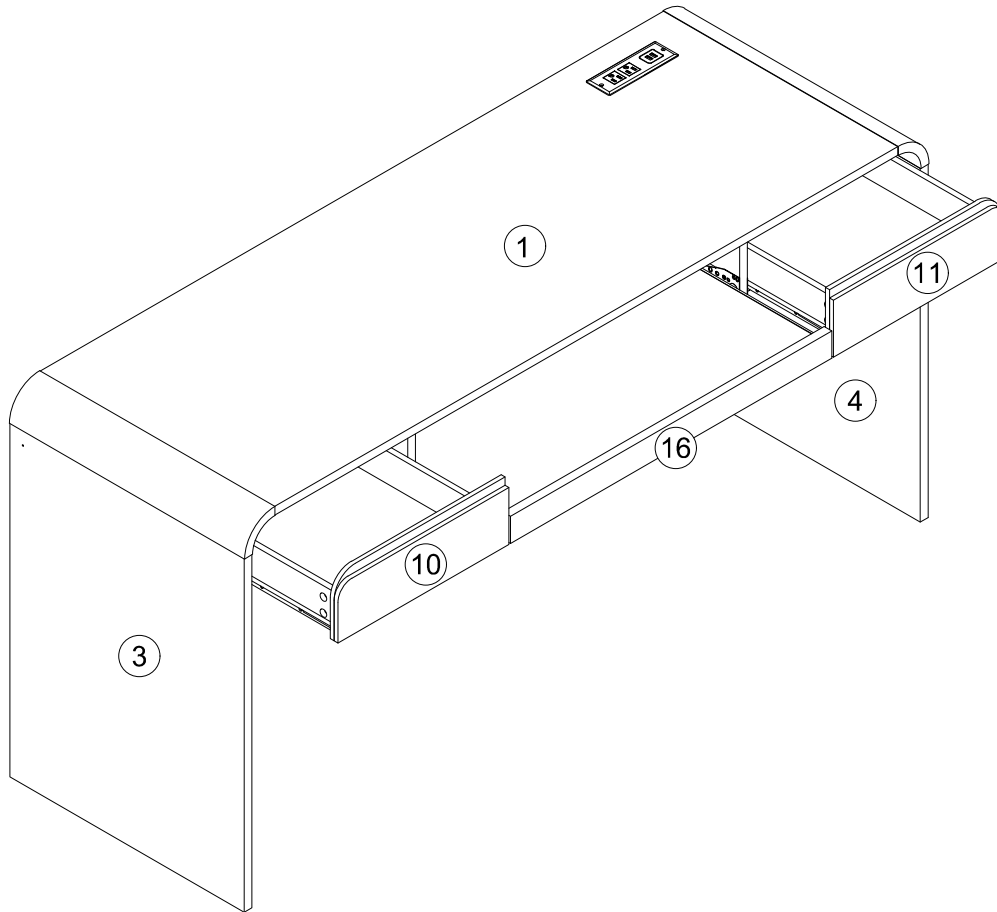
STEP 17



STEP 18

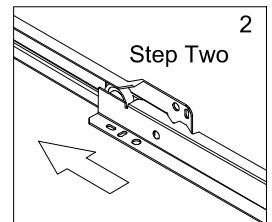
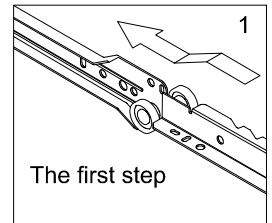


STEP 19

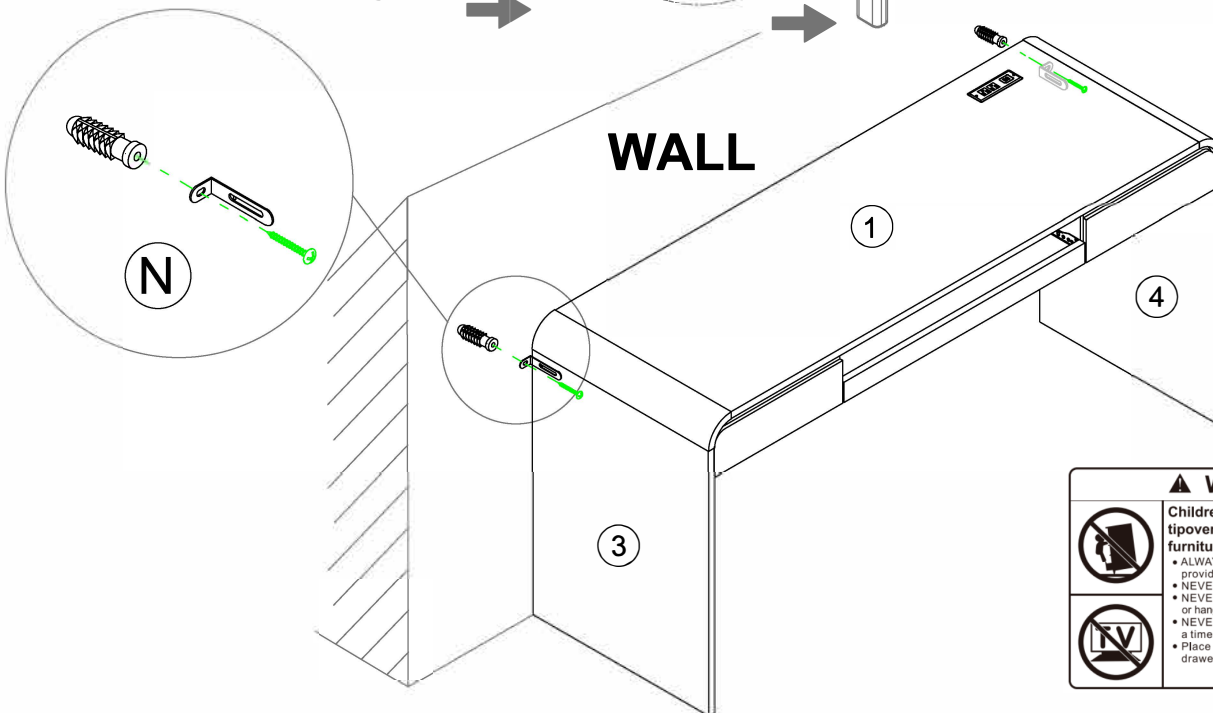
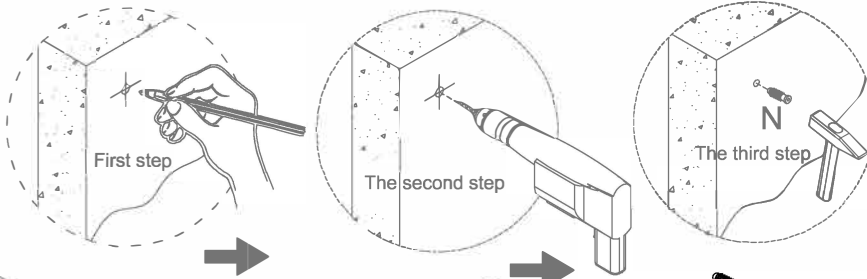
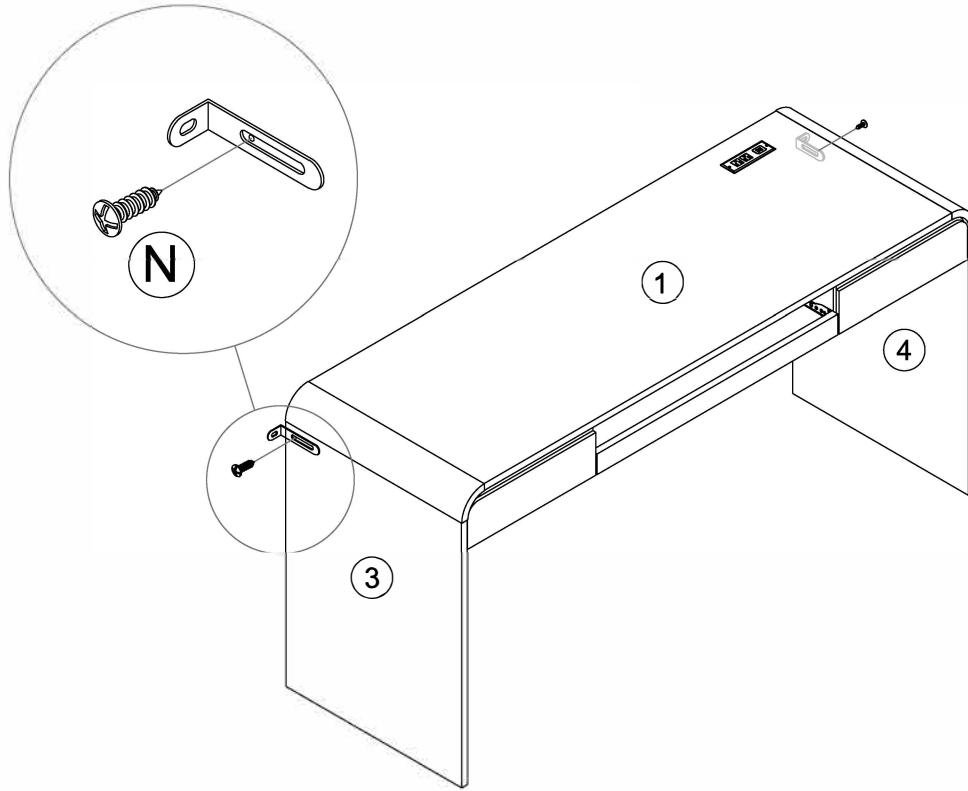
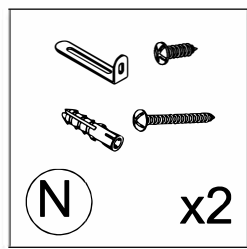


1. When you put the drawer, please note that the drawer wheels on top of the wheels of the slide, then check whether the drawer is smooth when pulled out. Otherwise, the drawer will not be aligned with other drawers.

2. Note: When installing, ensure that the sub-rail is fully inserted into the main rail



STEP 20



▲ WARNING

Children have died from furniture tipover. To reduce the risk of furniture tipover:

- ALWAYS install anti-tip device provided.
- NEVER put a TV on this product.
- NEVER allow children to stand, climb or hang on any drawers, doors, or shelves.
- NEVER open more than one drawer at a time.
- Place heaviest items in the lowest drawers.

this is a permanent label. Do not remove!