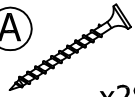


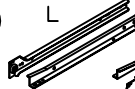
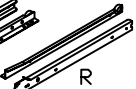

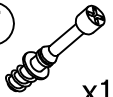
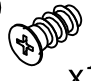
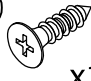
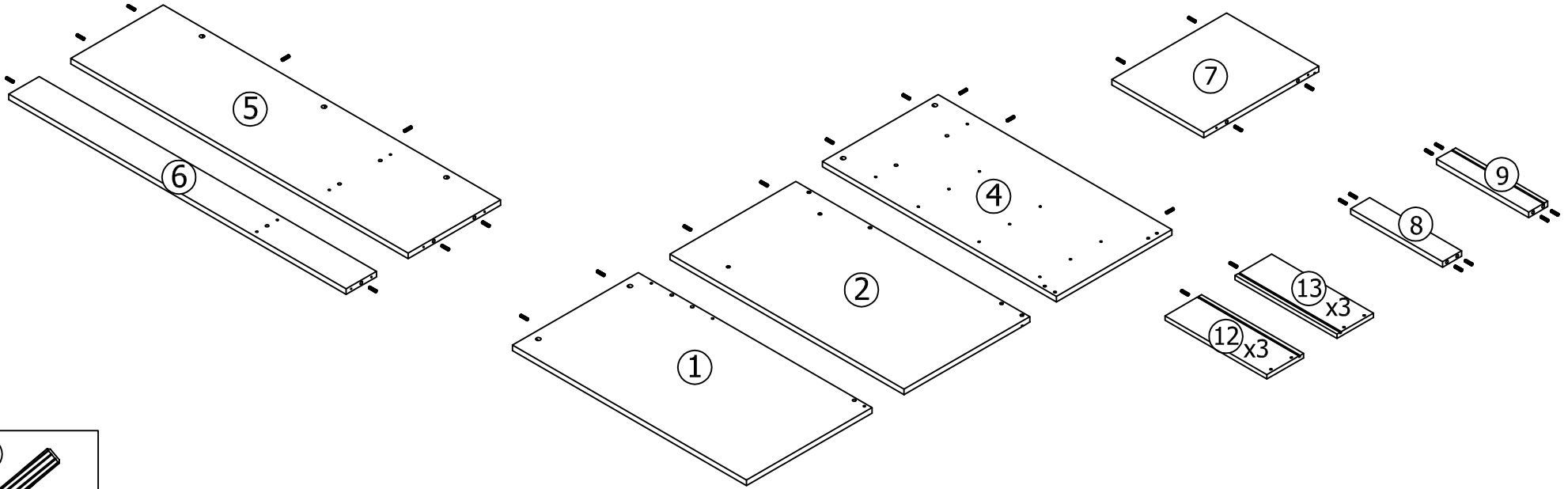


<b>(A)</b>  x28	<b>(B)</b>  x12	<b>(C)</b>  x35	<b>(G)</b>  L  R x3
	<b>(E)</b>  x15	<b>(F)</b>  x15	<b>(H)</b>  x18 <b>(I)</b>  x12

1

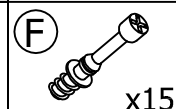
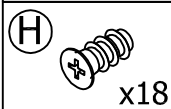
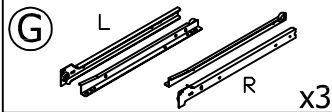
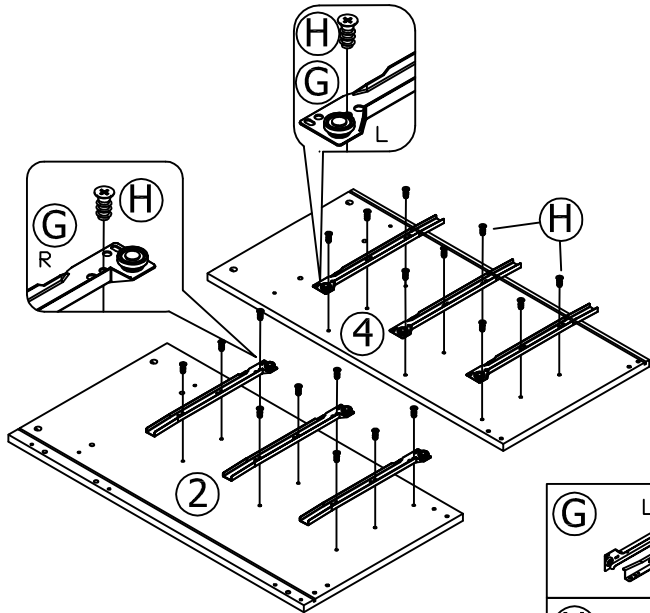


C

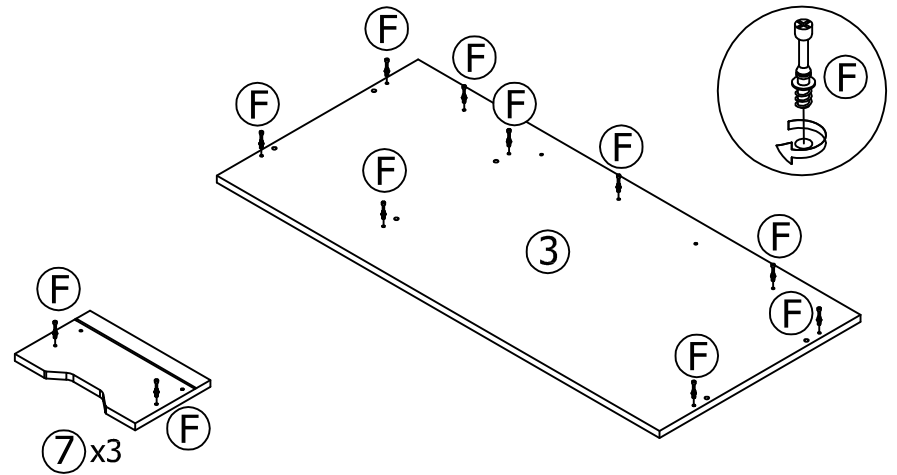


x35

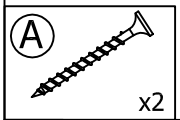
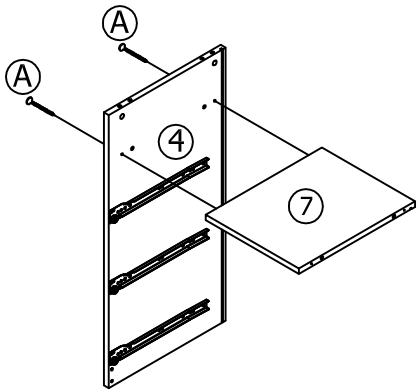
2



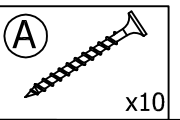
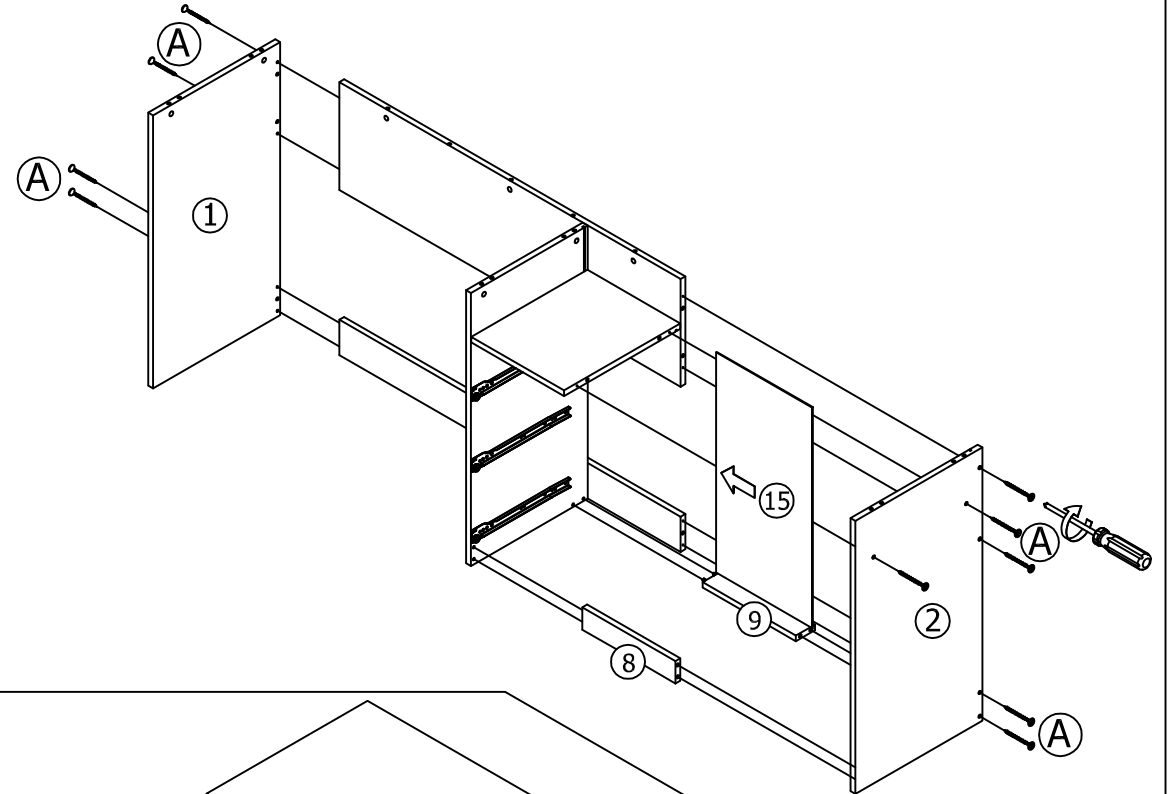
3



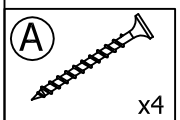
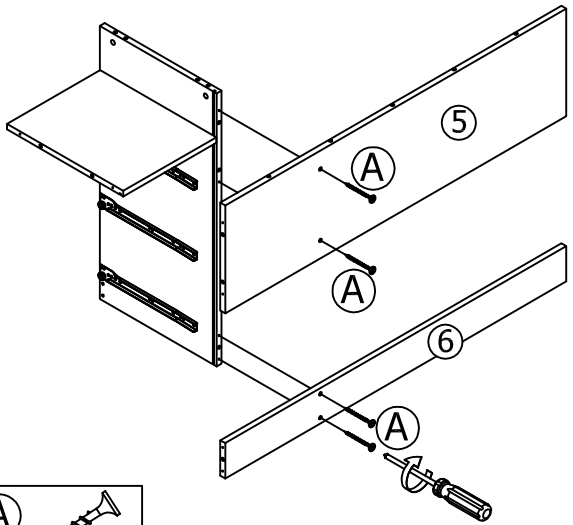
4



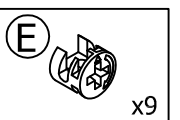
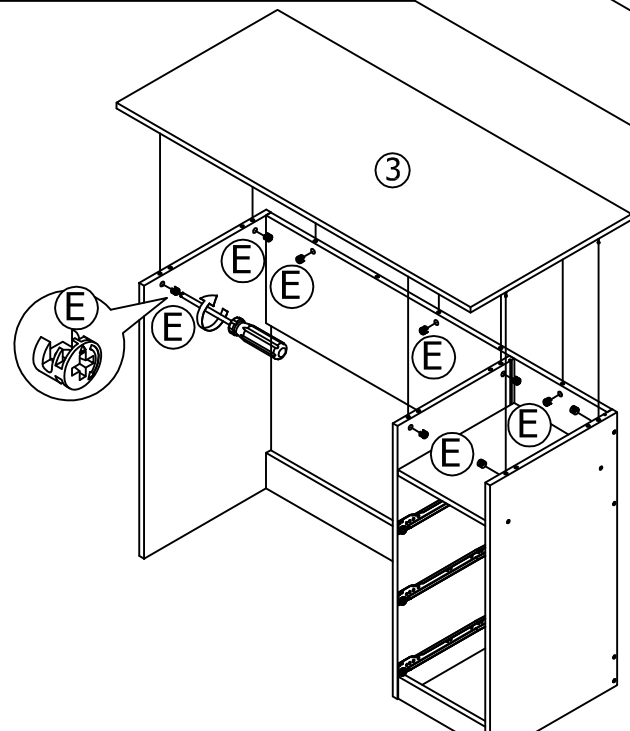
6



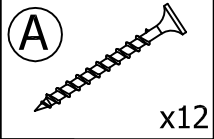
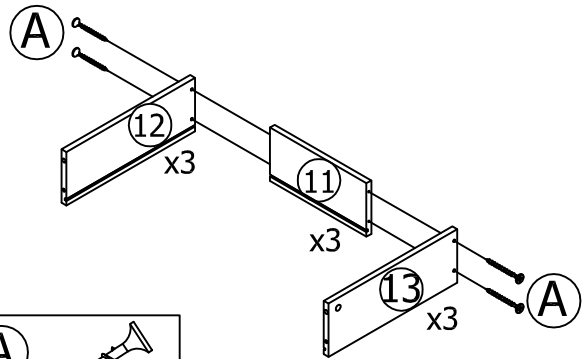
5



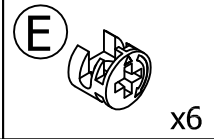
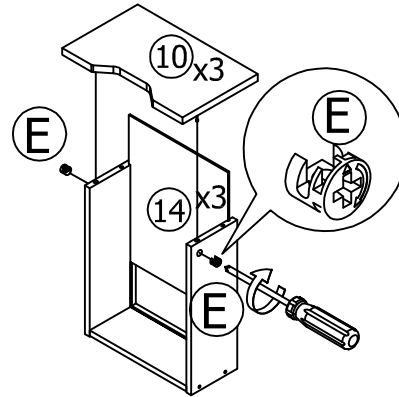
7



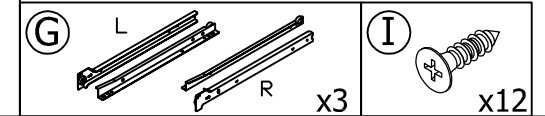
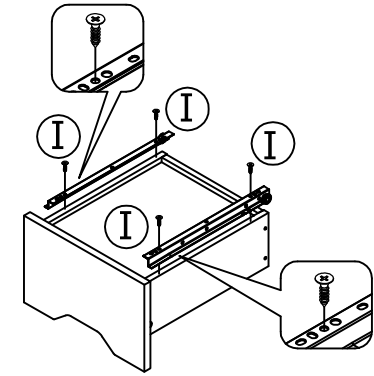
8



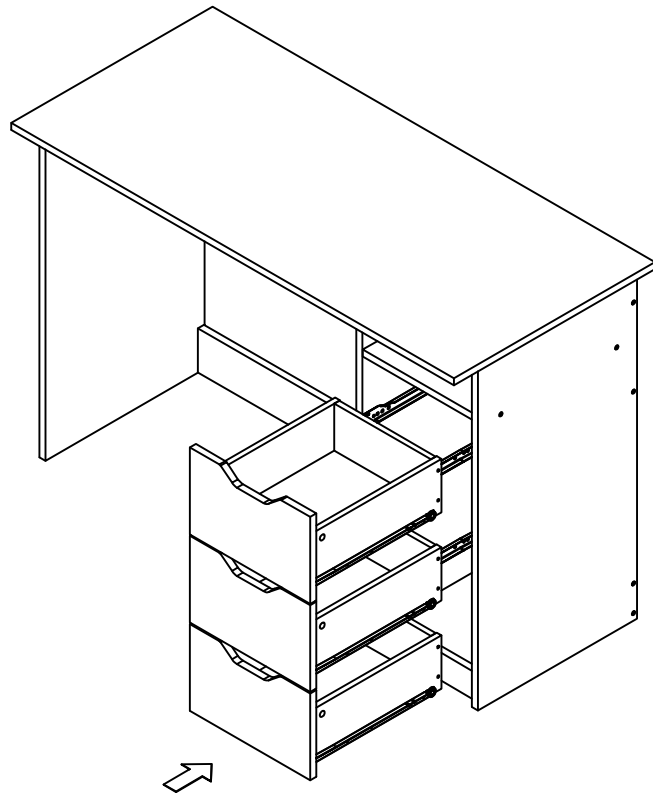
9



10



11



12

