

ASSEMBLY INSTRUCTIONS



Fine Furniture for every stage of life

REVISION 0 : 03/01/2024
REVISION 1 : 03/11/2024
REVISION 2 : 04/22/2024
REVISION 3 : 08/27/2025

PAGE 1 OF 4

Dining Table

ASSEMBLY INSTRUCTIONS

ASSEMBLY TIPS:

1. Remove hardware from box and sort by size.
2. Please check to see that all hardware and parts are present prior to start of assembly.
3. Please follow attached instructions in the same sequence as numbered to assure fast & easy assembly.



WARNING!




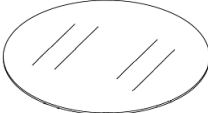
1. Don't attempt to repair or modify parts that are broken or defective. Please contact the store immediately.
2. This product is for home use only and not intended for commercial establishments.







ASSEMBLY TIME

15 MINUTES

PARTS IDENTIFICATION

AN	LEG SUPPORT FRAME		1PC
BN	LEG		4PCS
CN	DISC WITH BOLT		4SETS
D	GLASS TOP		1PC

HARDWARE IDENTIFICATION

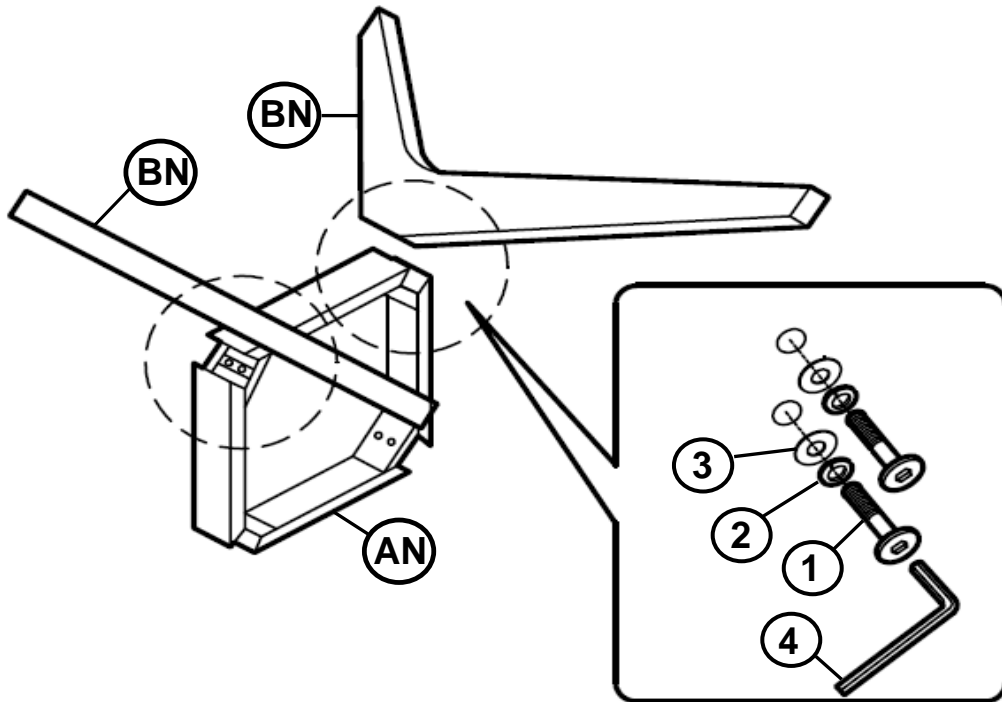
1	BOLT (M6 x 60mm - RBW)		8PCS
2	LOCK WASHER (1/4" - RBW)		8PCS
3	FLAT WASHER (1/4" - RBW)		8PCS
4	ALLEN WRENCH (4mm - BLK)		1PC

NOTE:

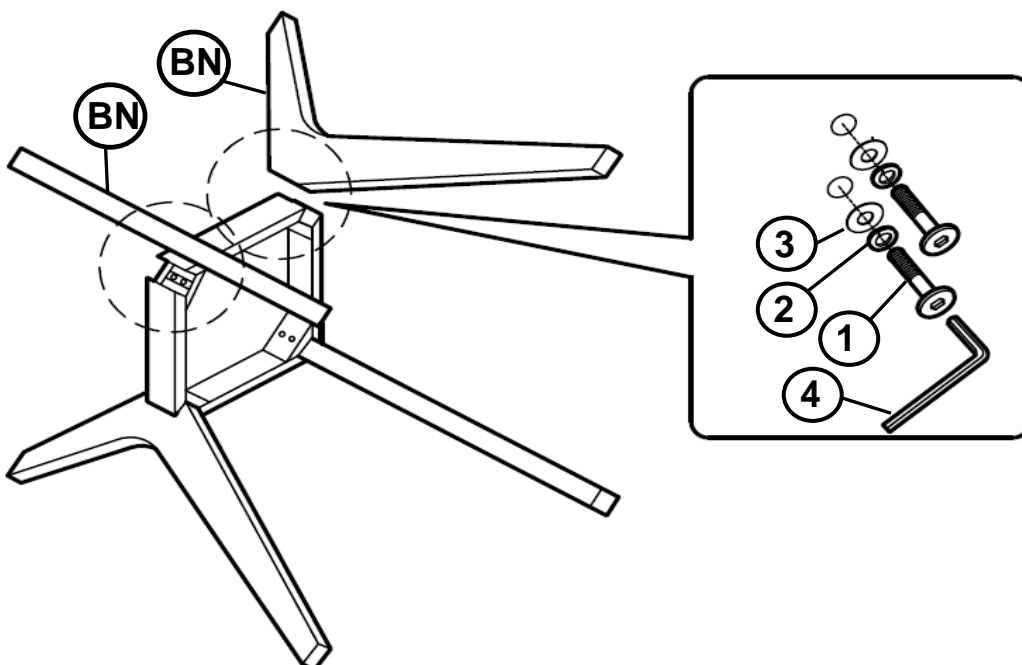
Phillips head screw driver is required in the assembly process; however, manufacturer does not provide this item.

ASSEMBLY INSTRUCTIONS

STEP 1

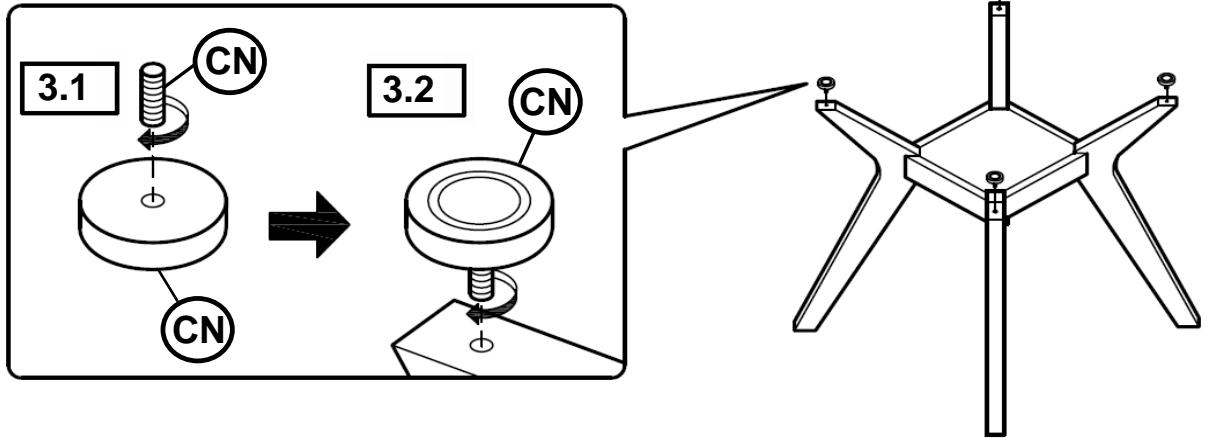


STEP 2

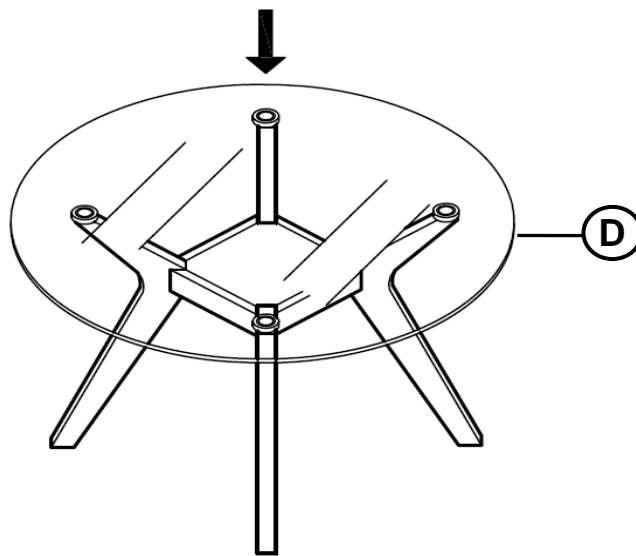


ASSEMBLY INSTRUCTIONS

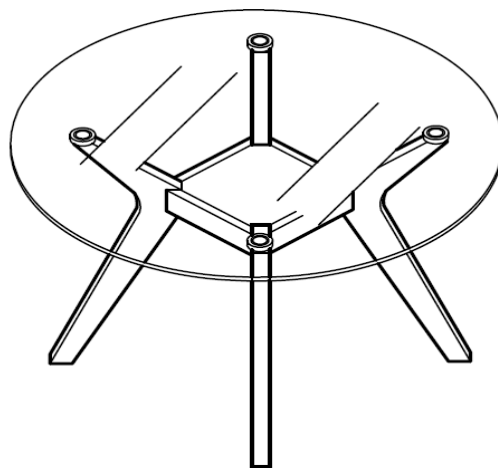
STEP 3

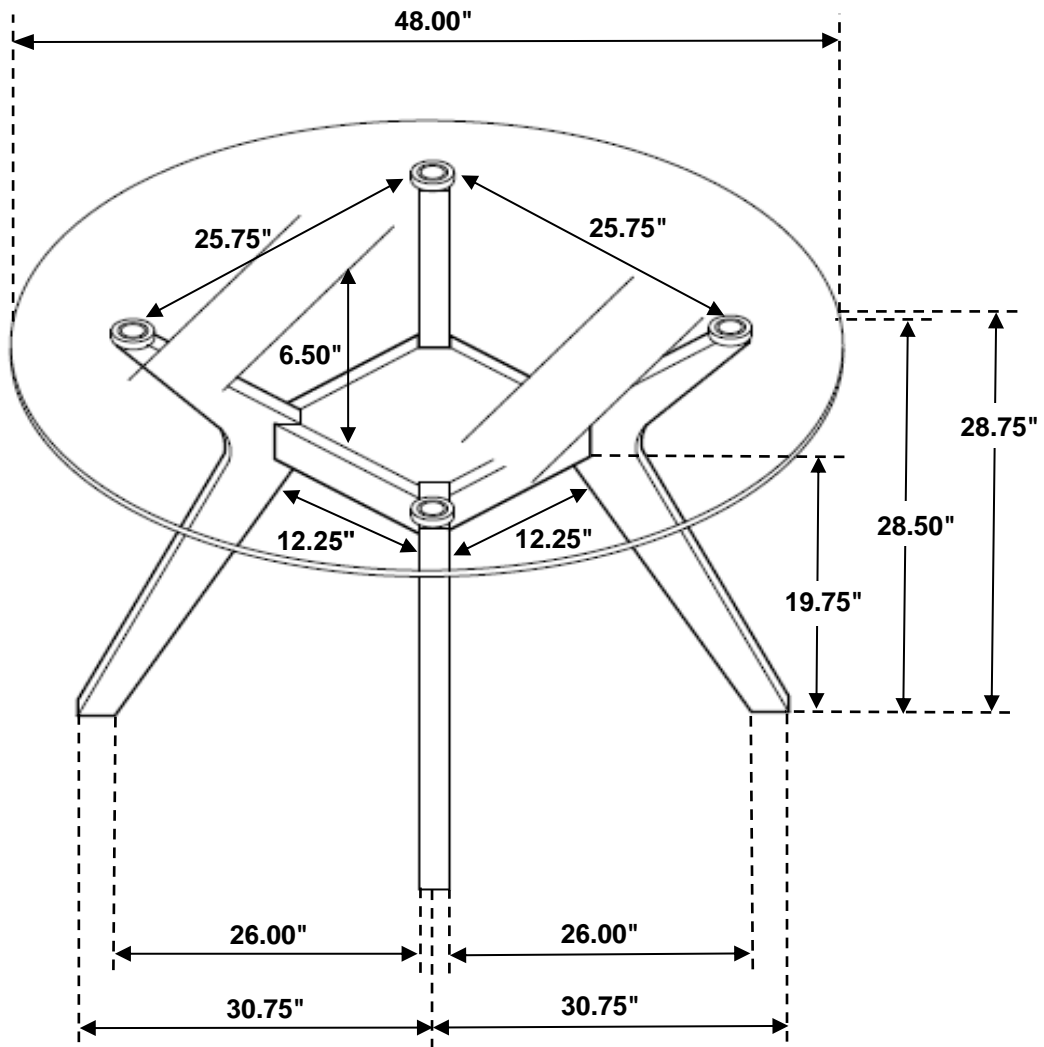


STEP 4



STEP 5 COMPLETE





Note : Dimension tolerance $\pm 5\%$