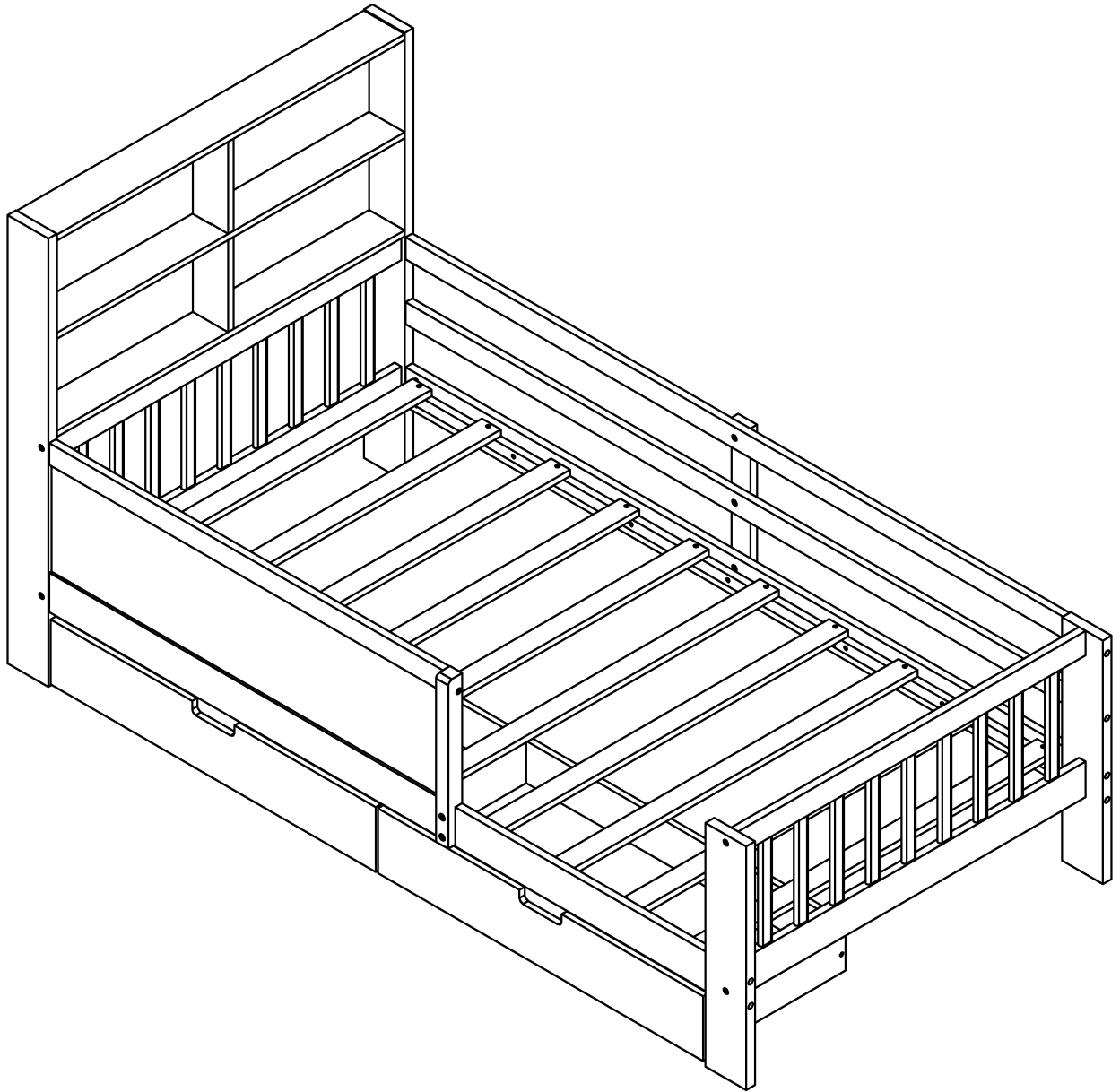
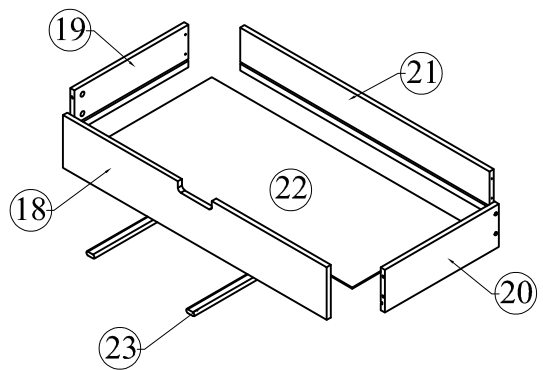
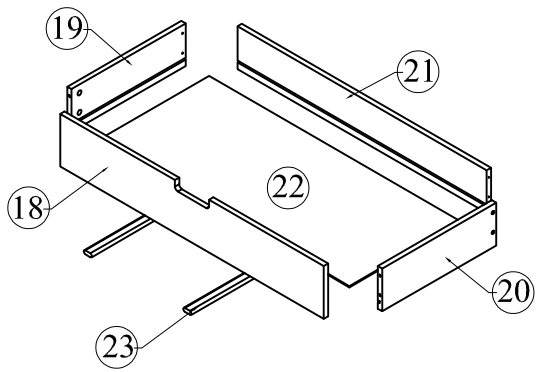
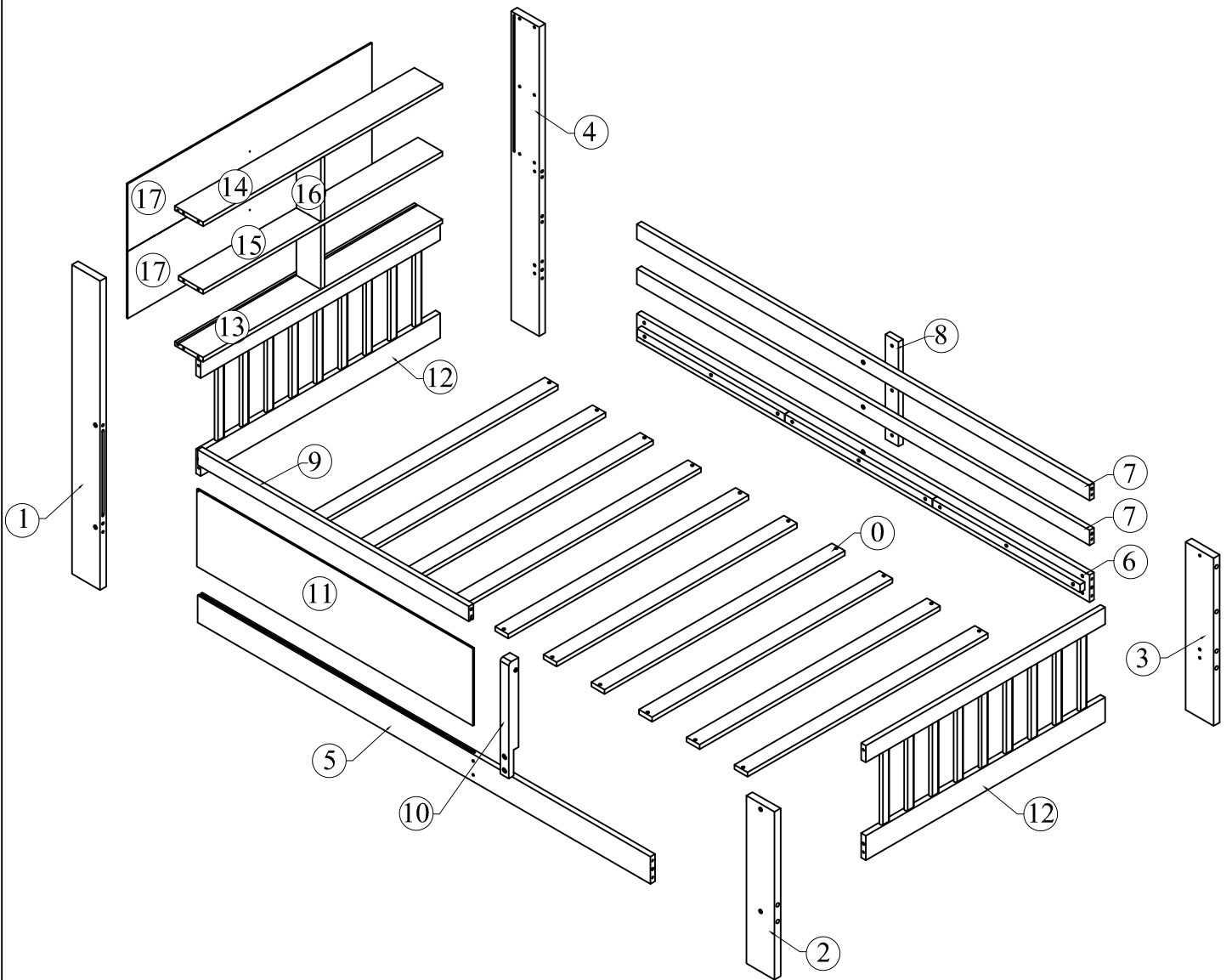


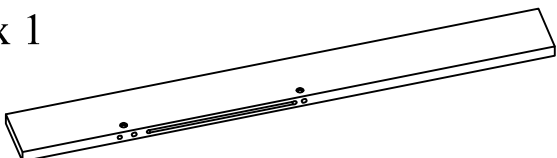
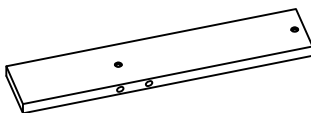
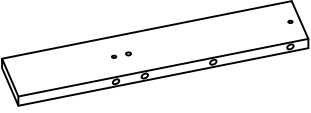
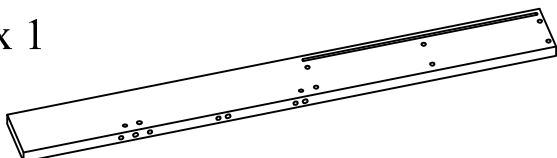
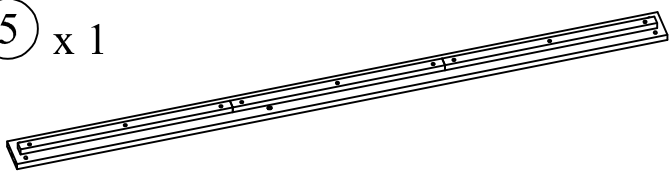
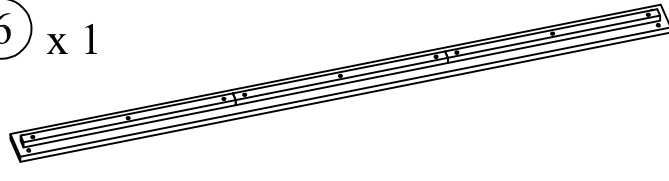
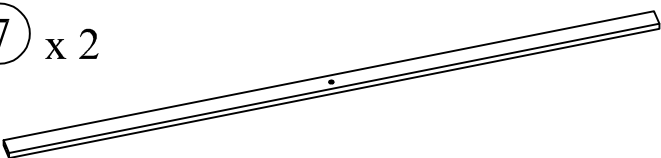
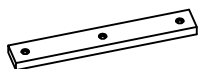
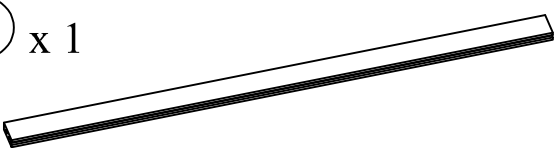

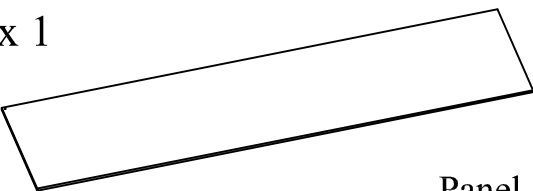
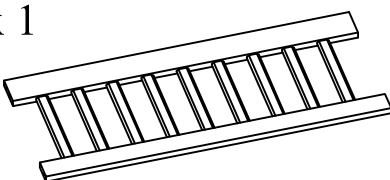
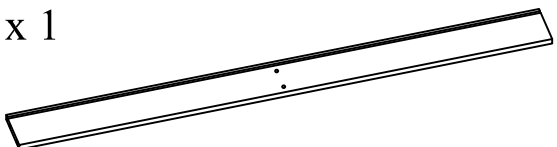
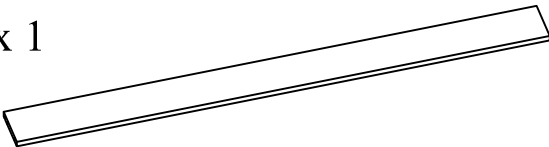
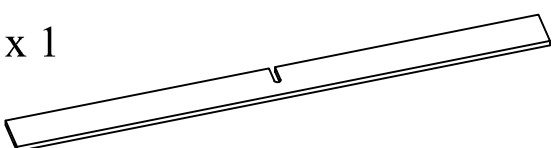
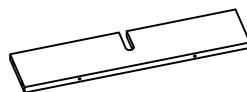
# ASSEMBLY INSTRUCTION



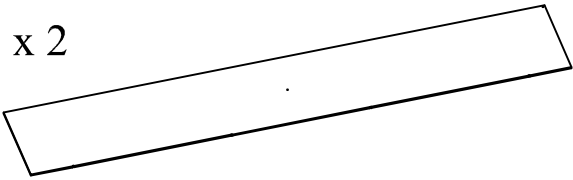
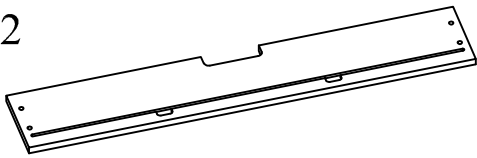


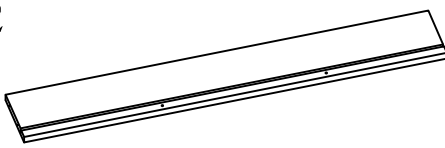


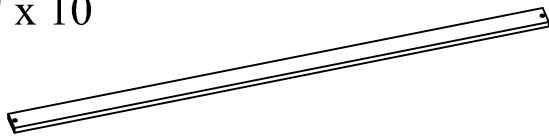
# ASSEMBLY INSTRUCTION



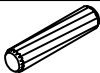
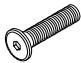













# Part List:

<p>① x 1</p>  <p>Leg</p>	<p>② x 1</p>  <p>Leg</p>
<p>③ x 1</p>  <p>Leg</p>	<p>④ x 1</p>  <p>Leg</p>
<p>⑤ x 1</p>  <p>Side rail</p>	<p>⑥ x 1</p>  <p>Side rail</p>
<p>⑦ x 2</p>  <p>Guard rail</p>	<p>⑧ x 1</p>  <p>Vertical connector</p>
<p>⑨ x 1</p>  <p>Crossbar</p>	<p>⑩ x 1</p>  <p>Vertical guard rail</p>
<p>⑪ x 1</p>  <p>Panel</p>	<p>⑫ x 1</p>  <p>Frame</p>
<p>⑬ x 1</p>  <p>Shelf bottom</p>	<p>⑭ x 1</p>  <p>Top panel</p>
<p>⑮ x 1</p>  <p>Middle shelf</p>	<p>⑯ x 1</p>  <p>Shelf divider</p>

# Part List:

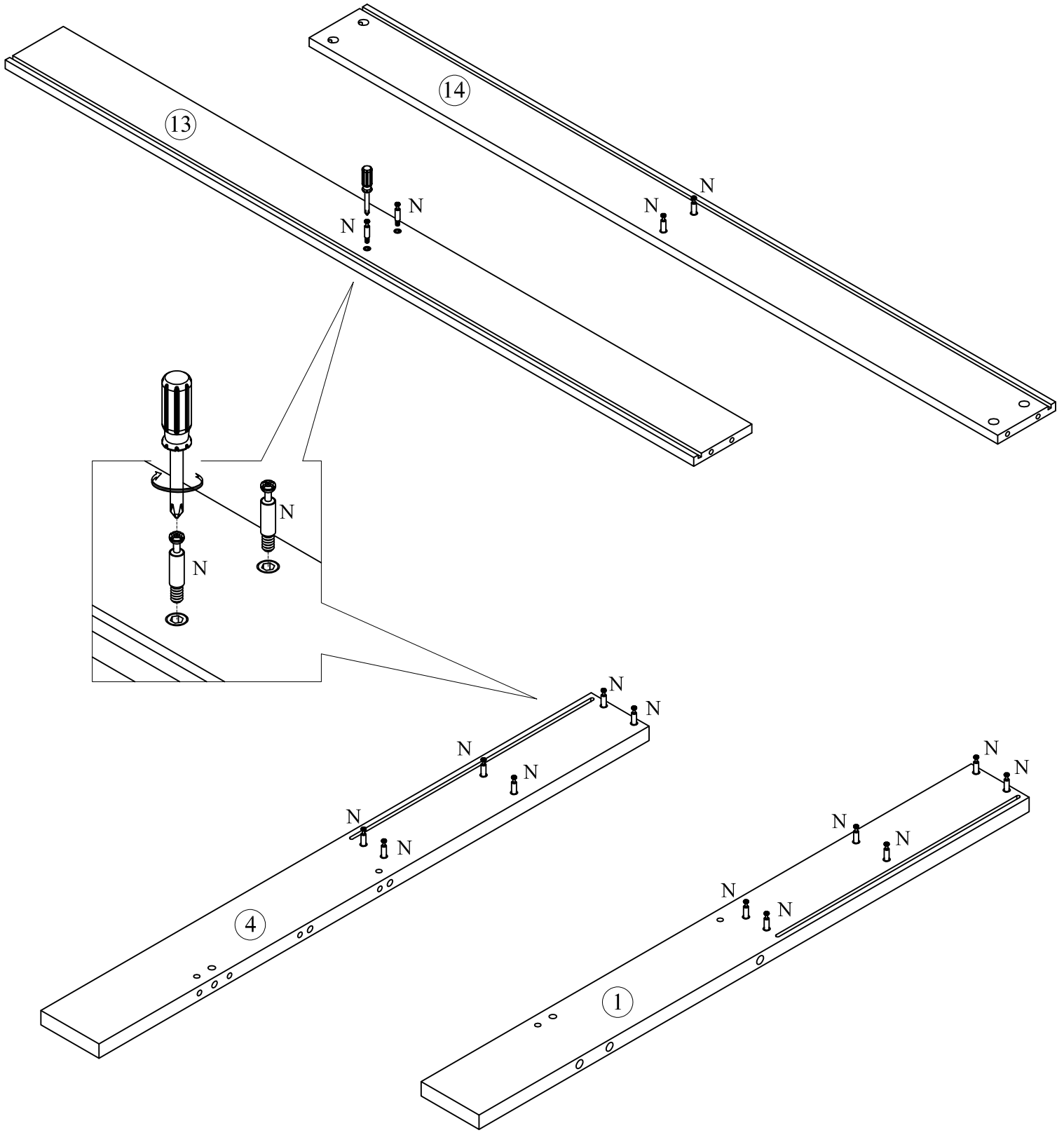
<p>①7 x 2</p>  <p>Back panel</p>	<p>①8 x 2</p>  <p>Drawer front</p>
<p>①9 x 2</p>  <p>Drawer side panel</p>	<p>②0 x 2</p>  <p>Drawer side panel</p>
<p>②1 x 2</p>  <p>Drawer back panel</p>	<p>②2 x 2</p>  <p>Drawer bottom panel</p>
<p>②3 x 4</p>  <p>Bottom support rail</p>	<p>①0 x 10</p>  <p>Slats</p>

## Hardware List:

No.	OUTLOOK	DESC	QTY
(A)		Dowel Ø10*40mm	14
(B)		Bolts 1/4"*25mm	05
(C)		Bolts 1/4"*70mm	08
(D)		Bolts 1/4"*80mm	01
(E)		Bolts 1/4"*140mm	13
(F)		Cross dowel 1/4"*13mm	22
(G)		Hex bolts 1/4"*15mm	05
(H)		Screws #6*12mm	40
(I)		Screws #8*30mm	20
(J)		Screws #8*35mm	12
(K)		Round Head Screw #8*25mm	06
(L)		Wheels	08
(M)		Base L	04
(N)		Connecting Bolt	24
(O)		Allen key 60*22*4mm	02

ASSEMBLY TOOLS REQUIRED (NOT INCLUDED)



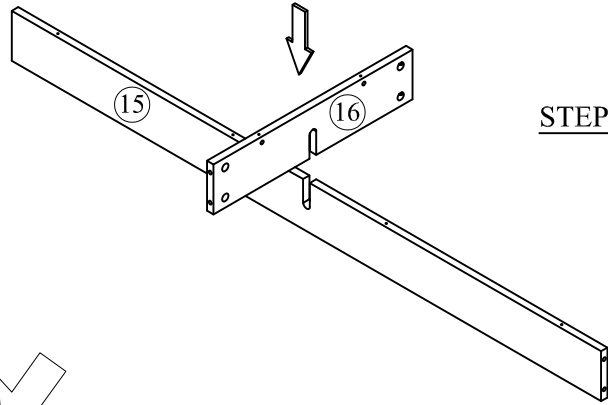
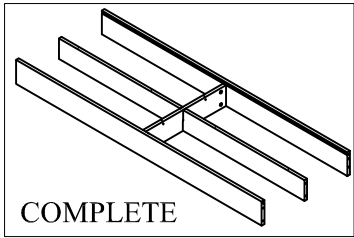


# STEP 2

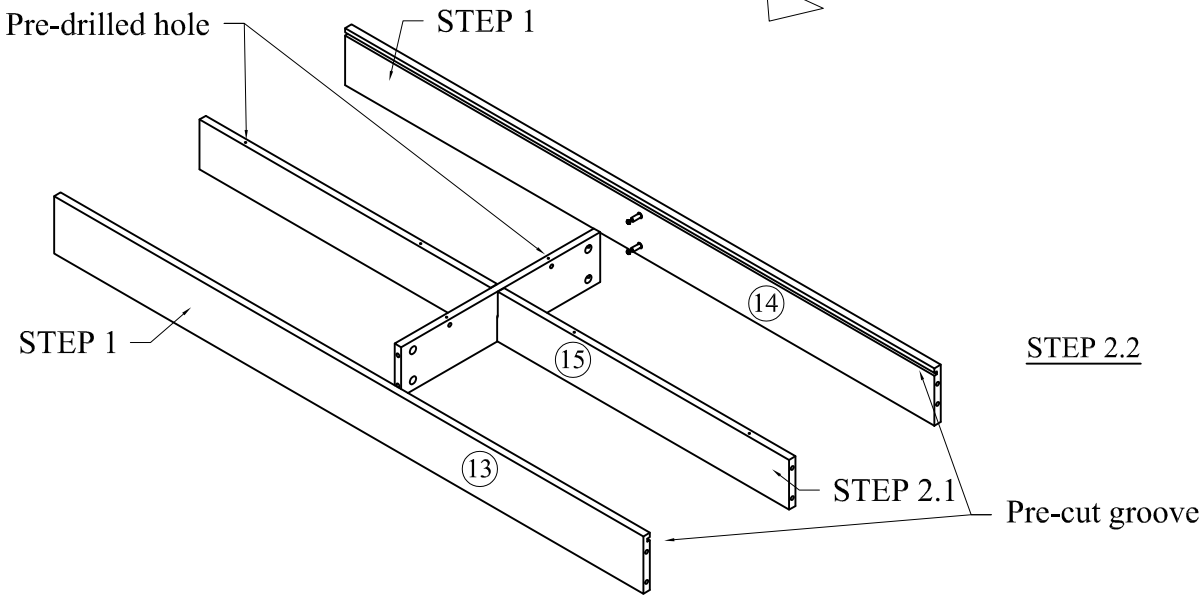
(N)



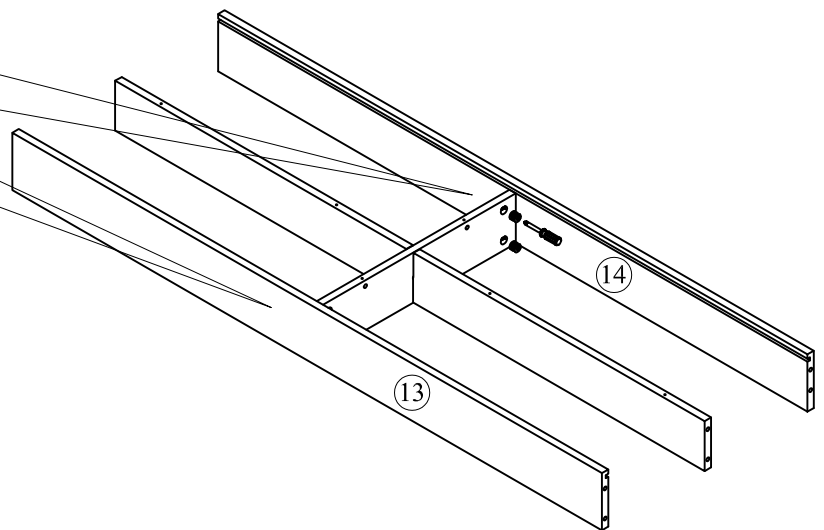
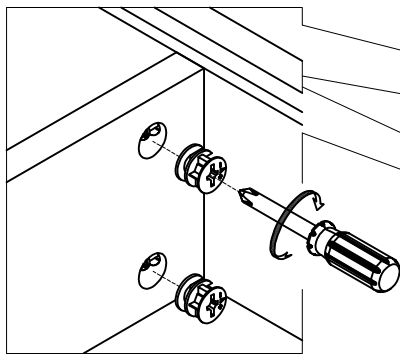
04



STEP 2.1

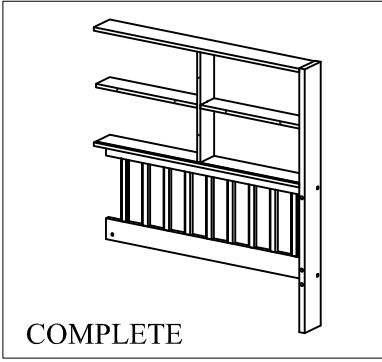


STEP 2.2

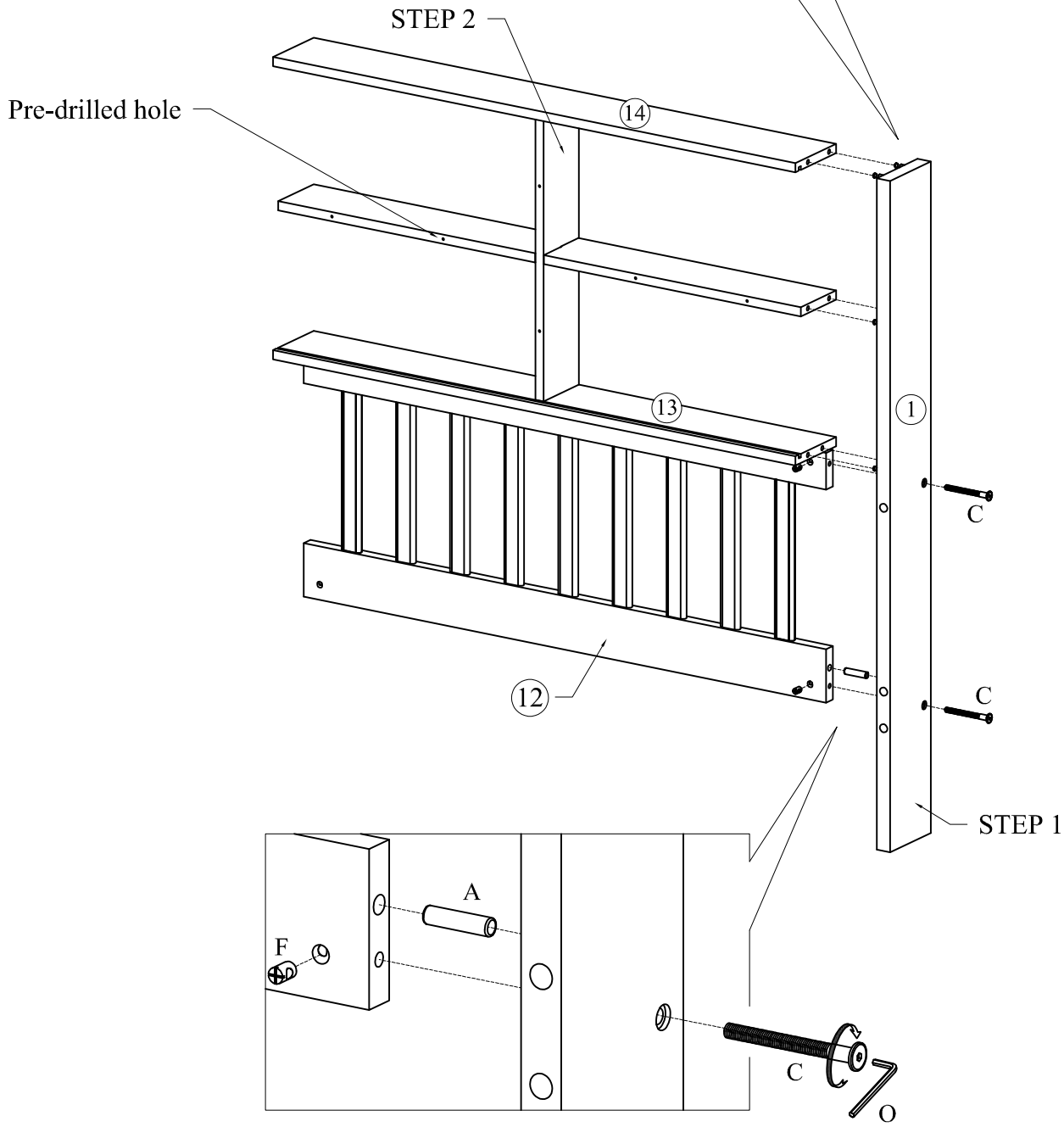


STEP 2.3

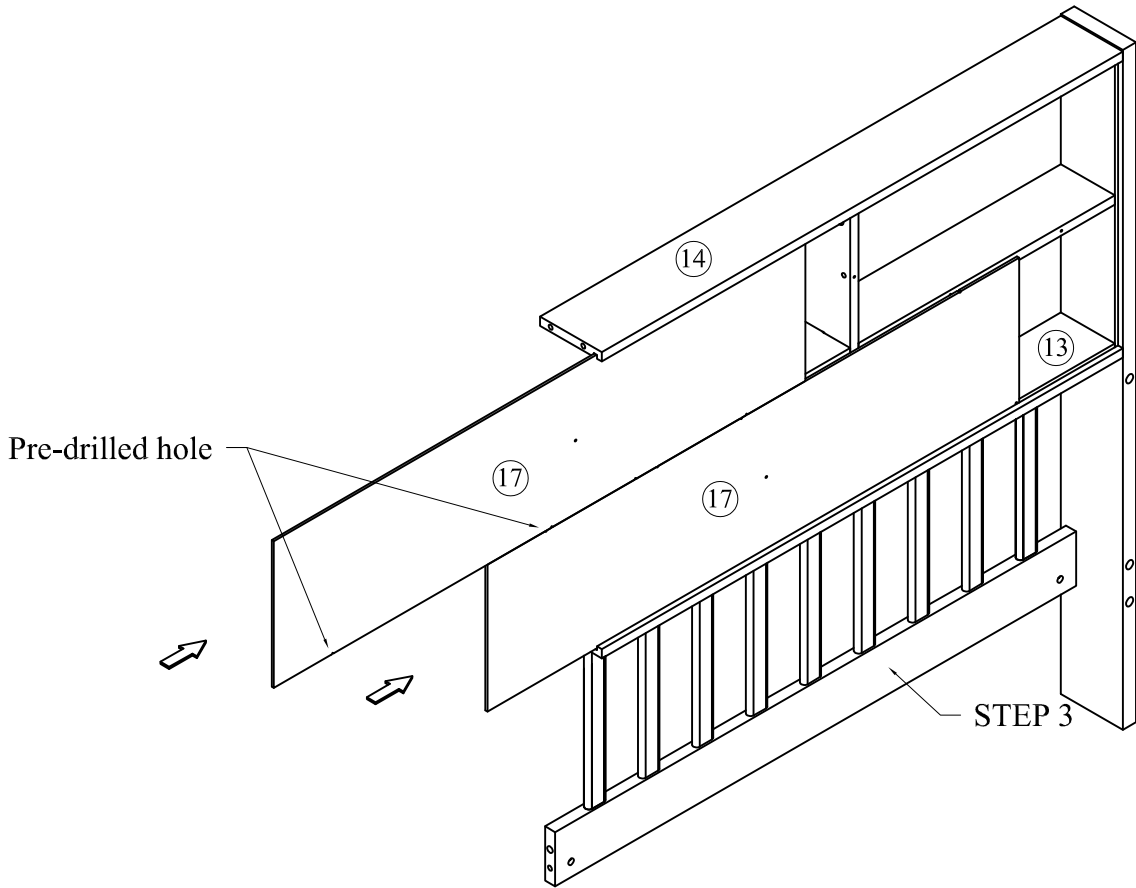
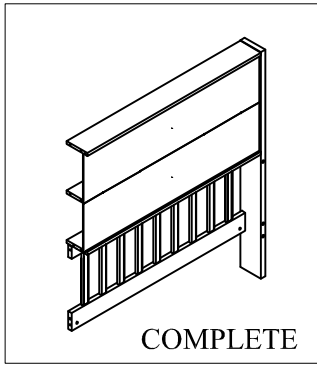
# STEP 3



(A)		01
(C)		02
(F)		02
(N)		06


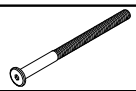




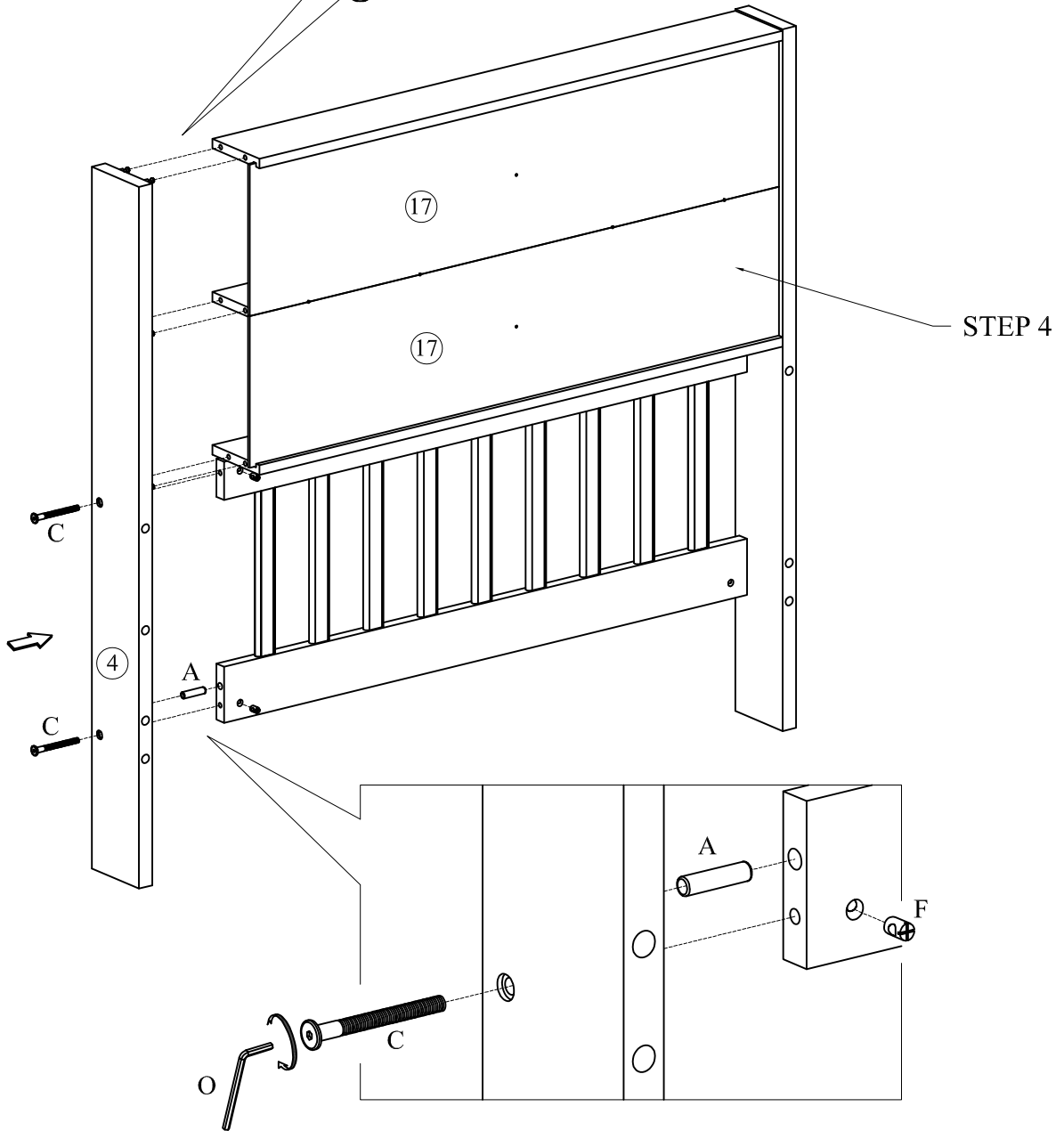
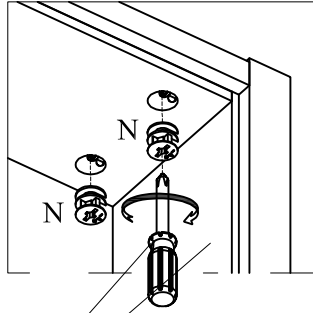
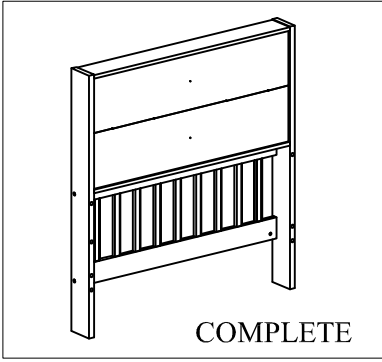
# STEP 4

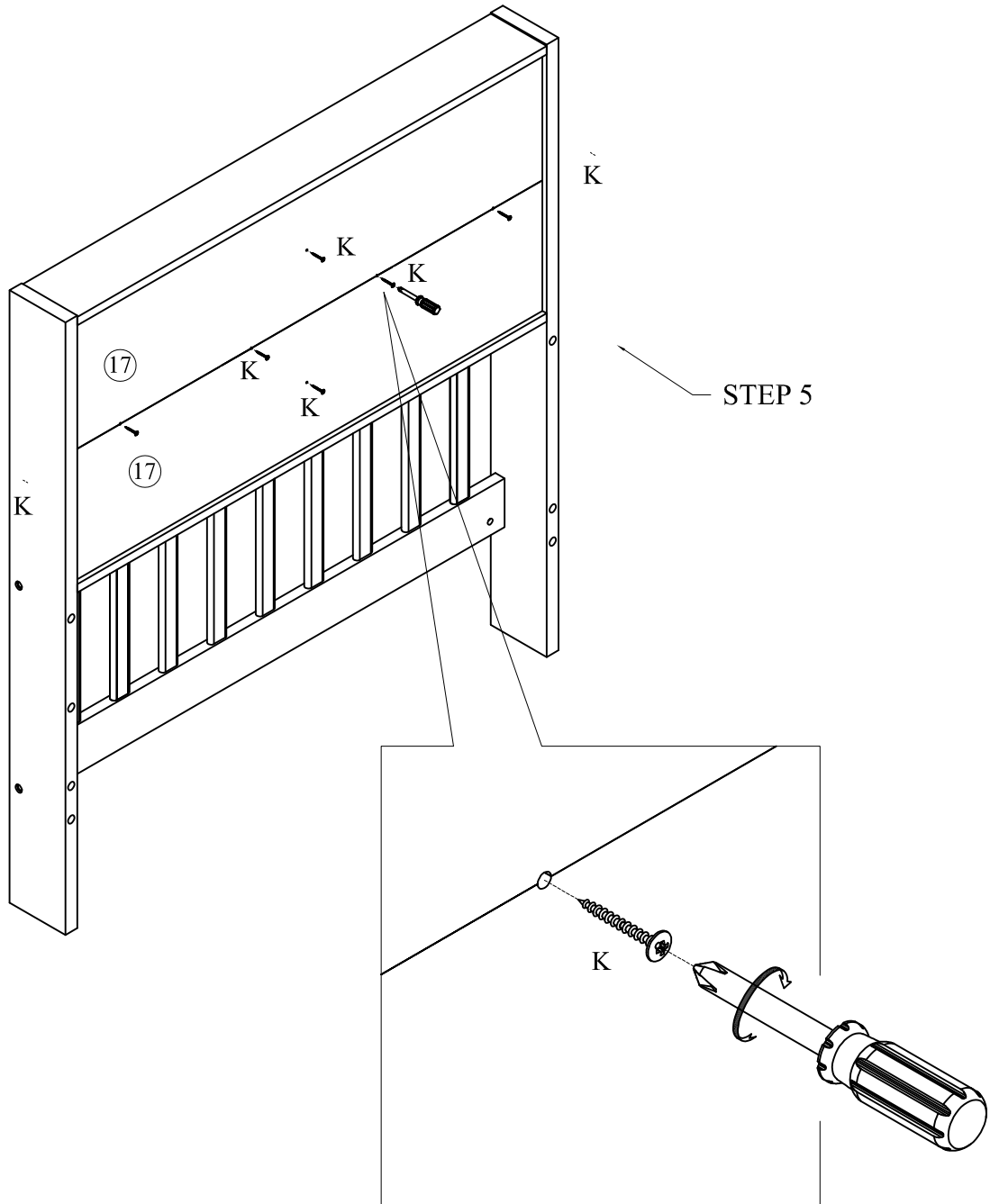


Assemble parts 17 into the pre-made grooves on parts 13 and 14, noting the direction of the pre-drilled holes as described.




# STEP 5

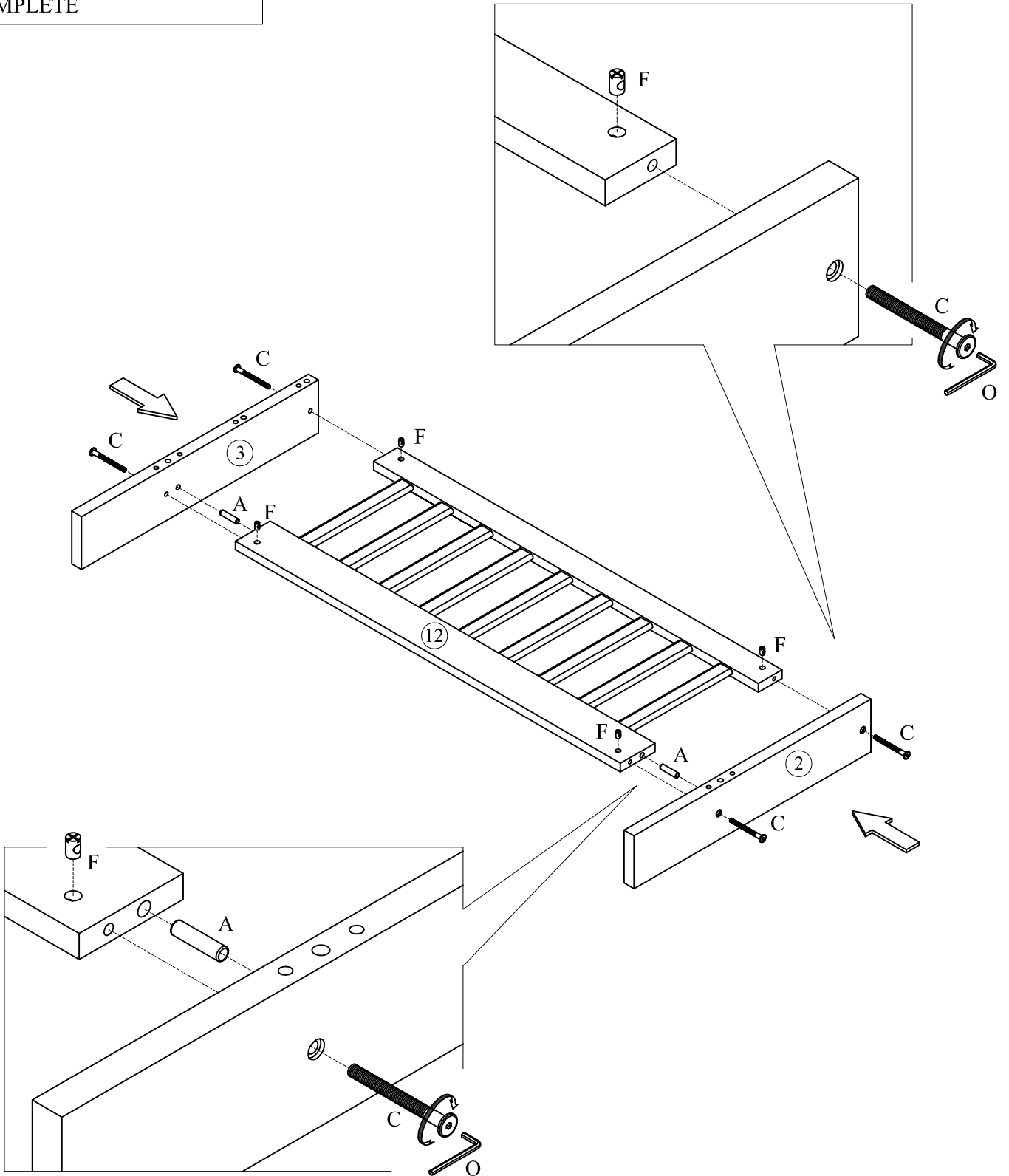
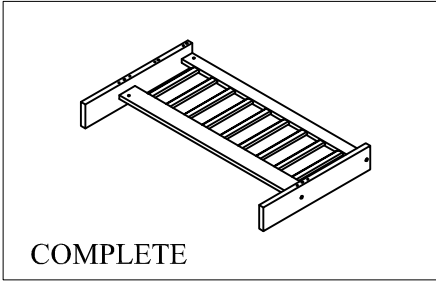
(A)		01
(C)		02
(F)		02
(N)		06




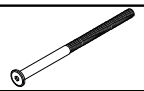



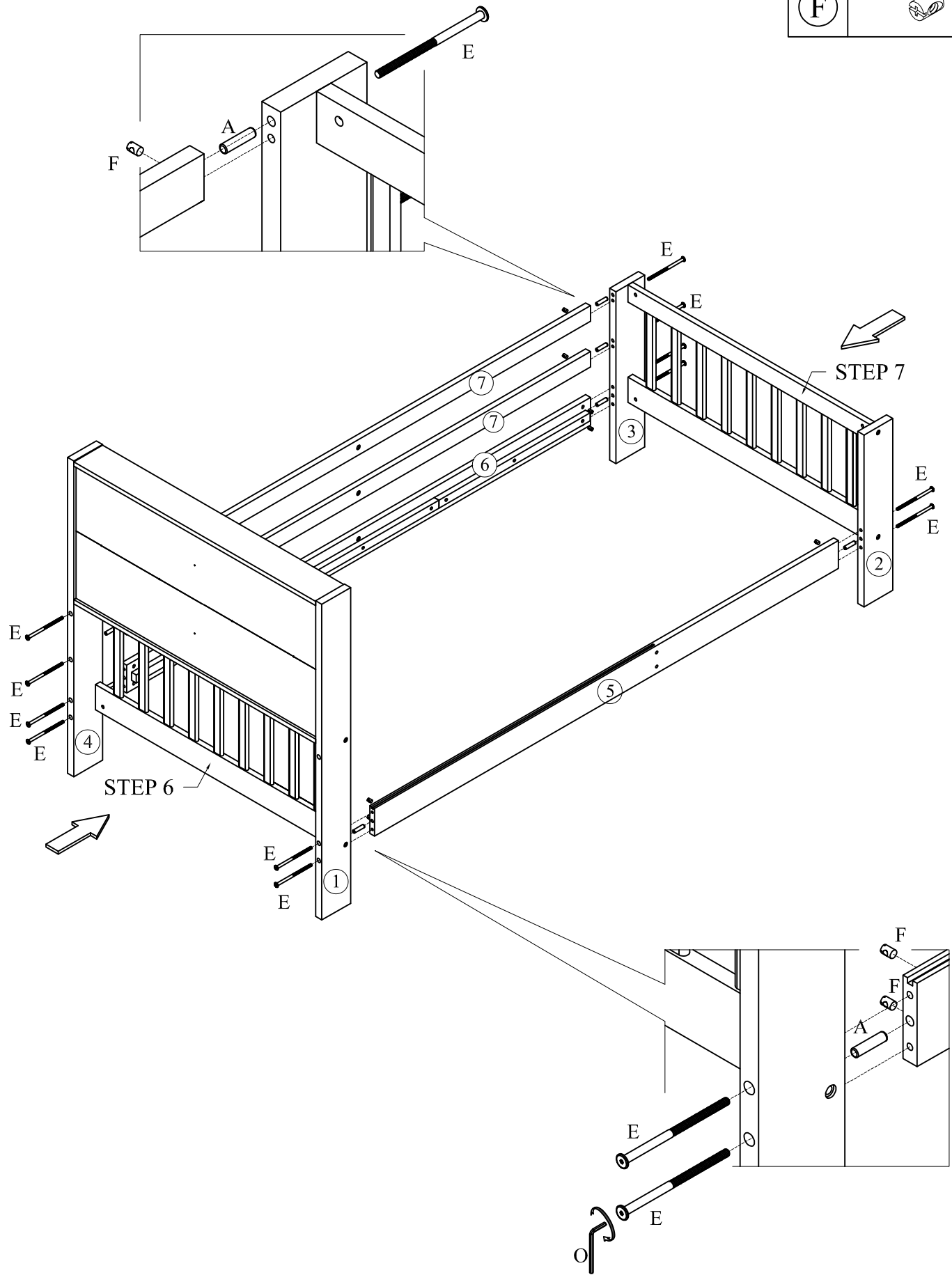
# STEP 7

(A)		02
(C)		04
(F)		04







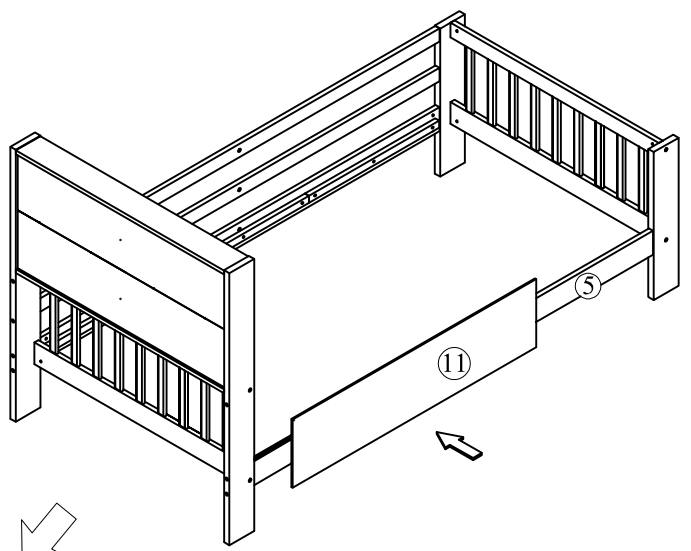
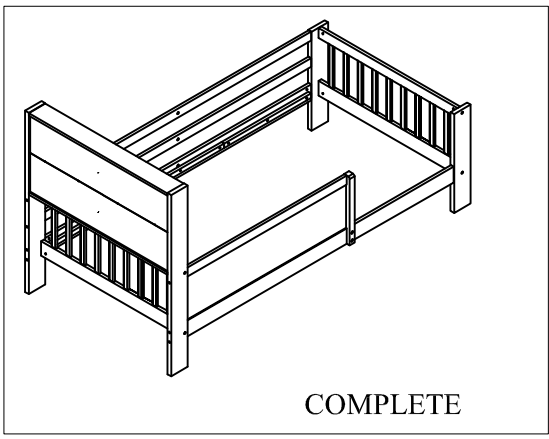
# STEP 8

(A)		08
(E)		12
(F)		12

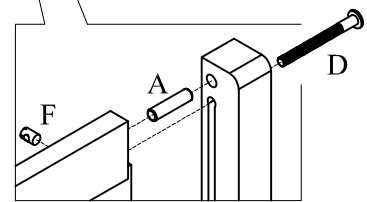
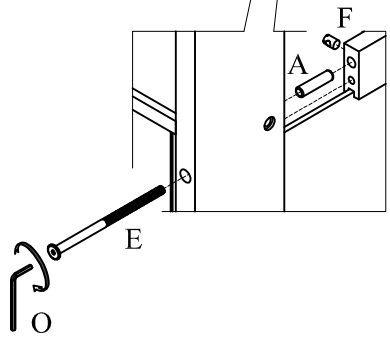
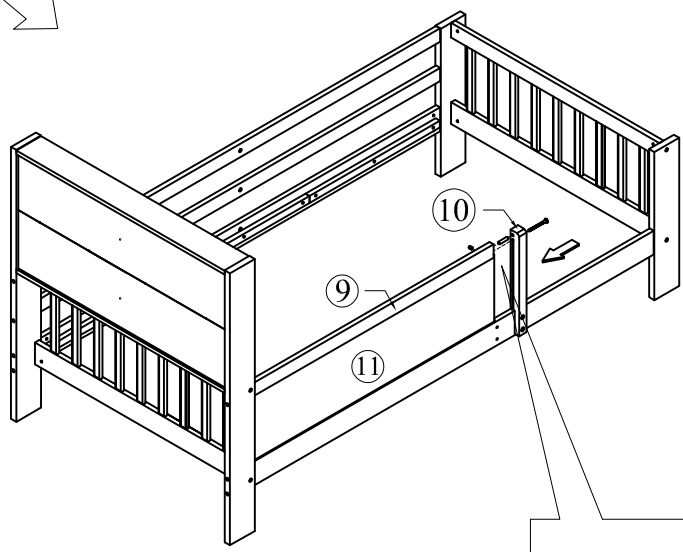
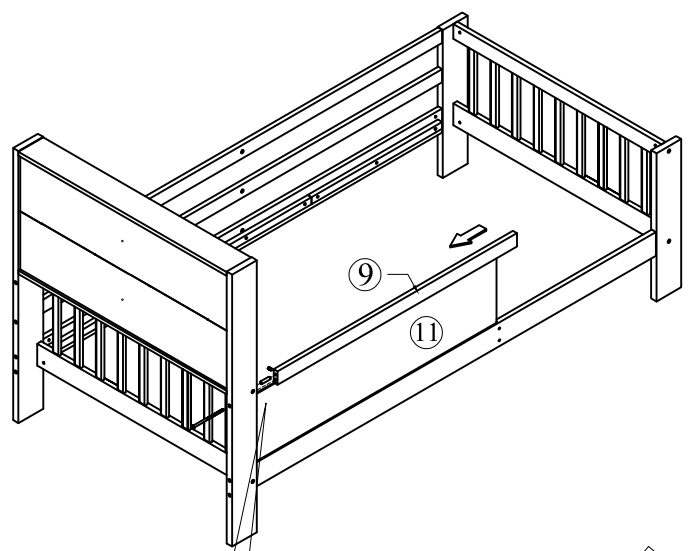


# STEP 9



(A)		02
(D)		01
(E)		01
(F)		02

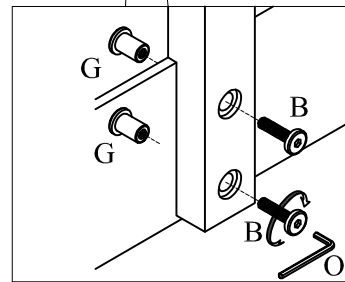
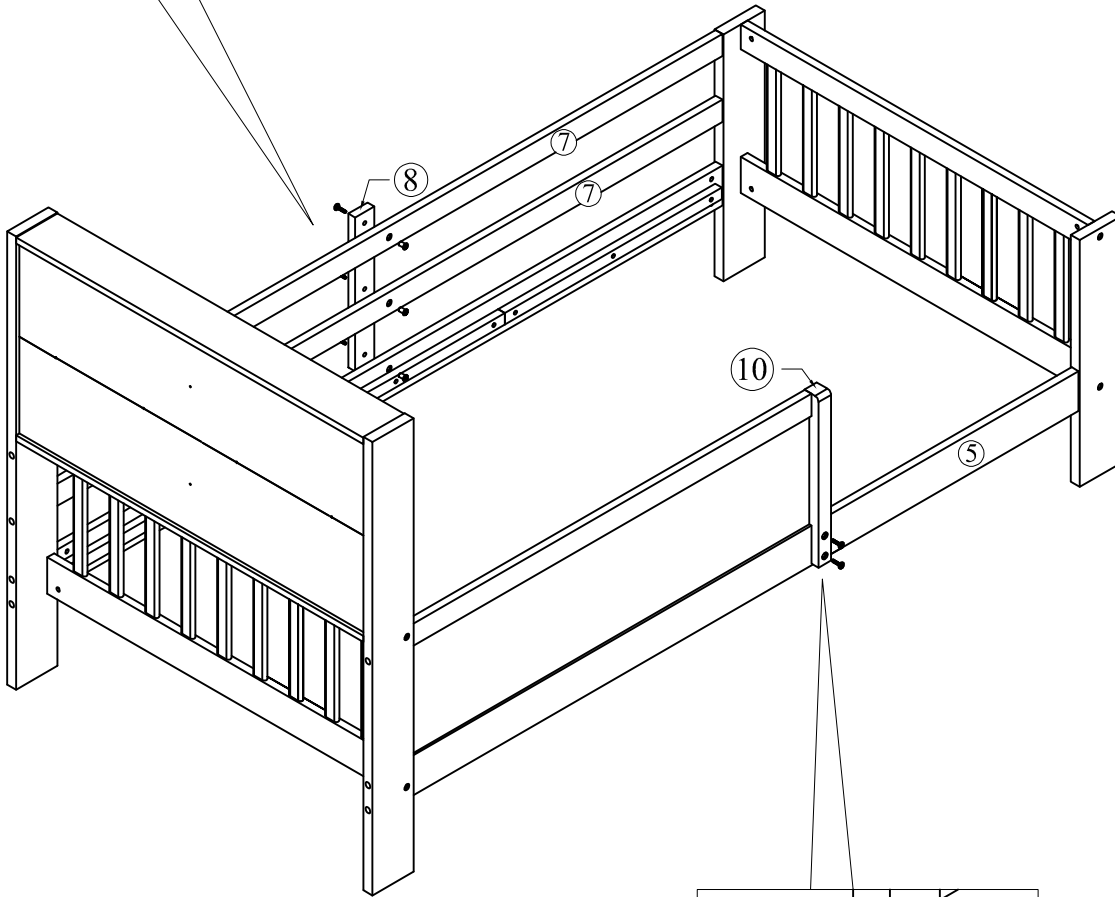
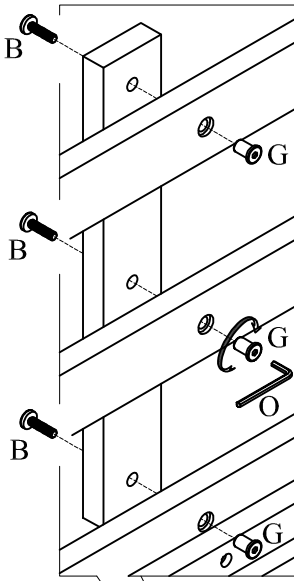
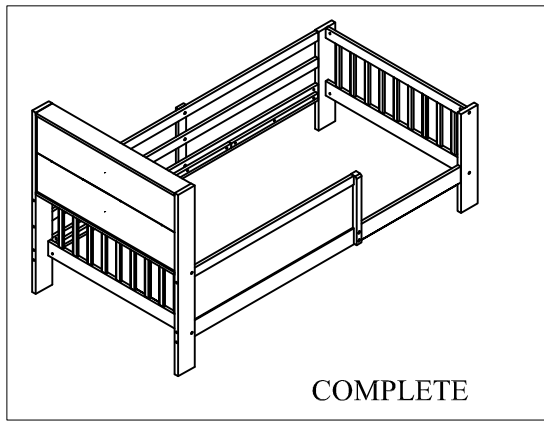


Insert part 11 into the pre-made groove on part 5.



# STEP 10

(B)		05
(G)		05

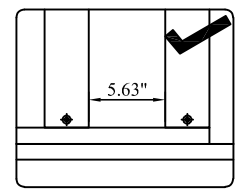
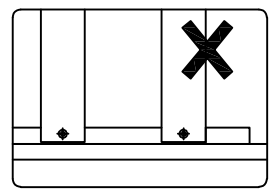
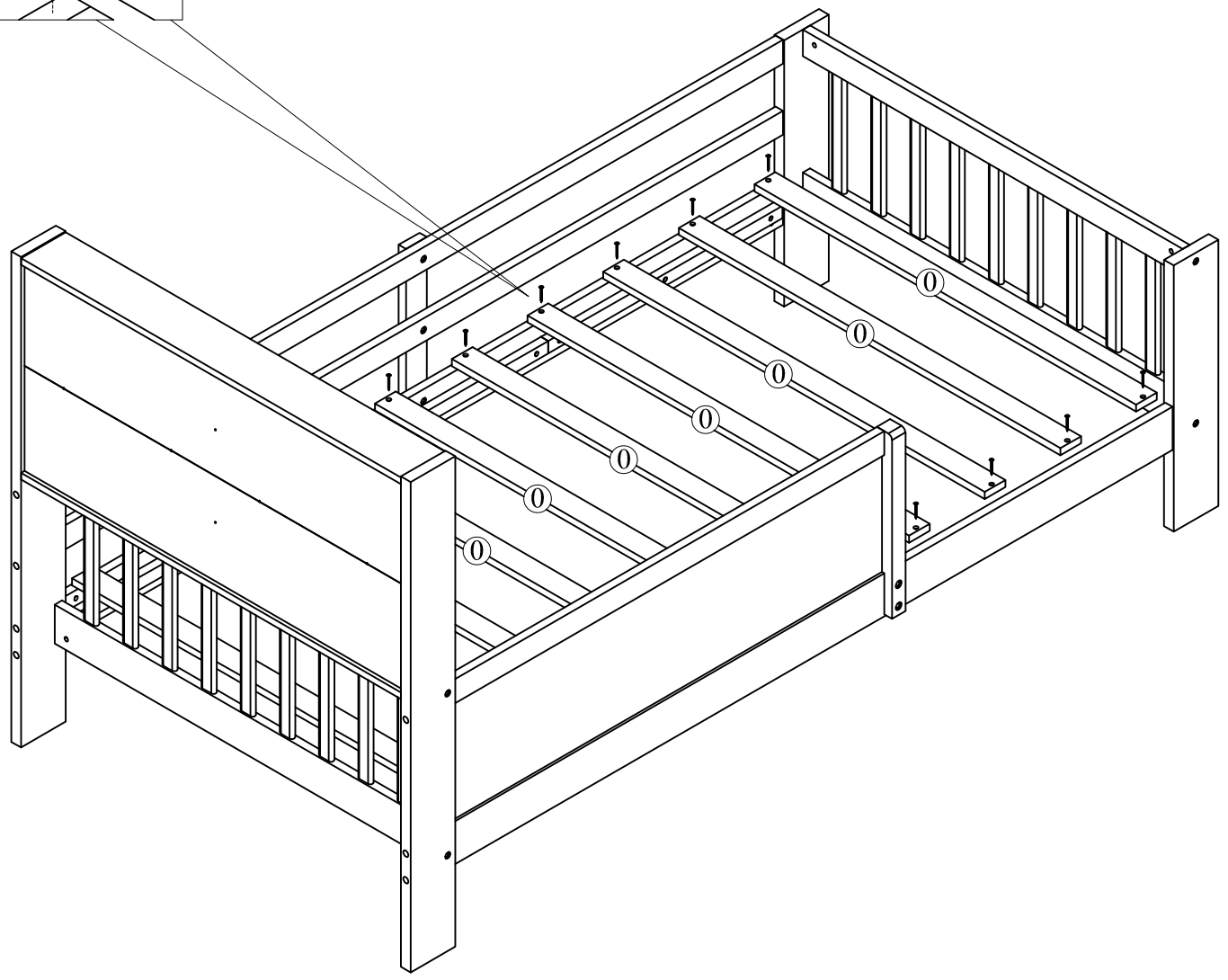
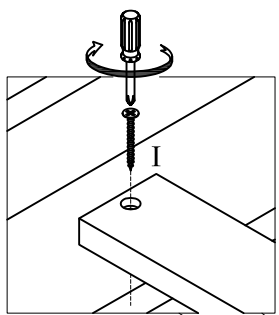
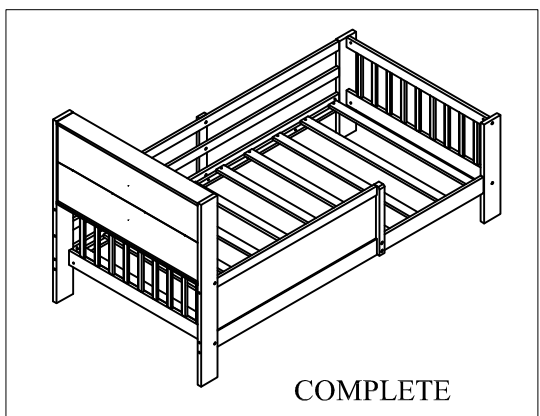


# STEP 11


I

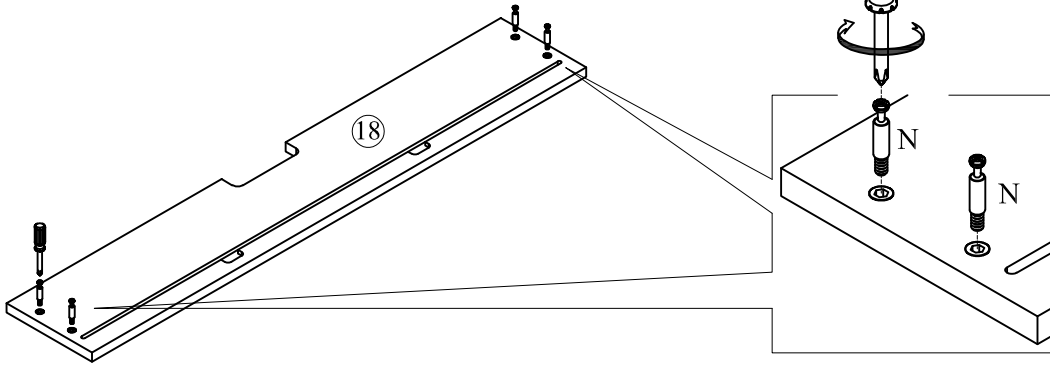


20




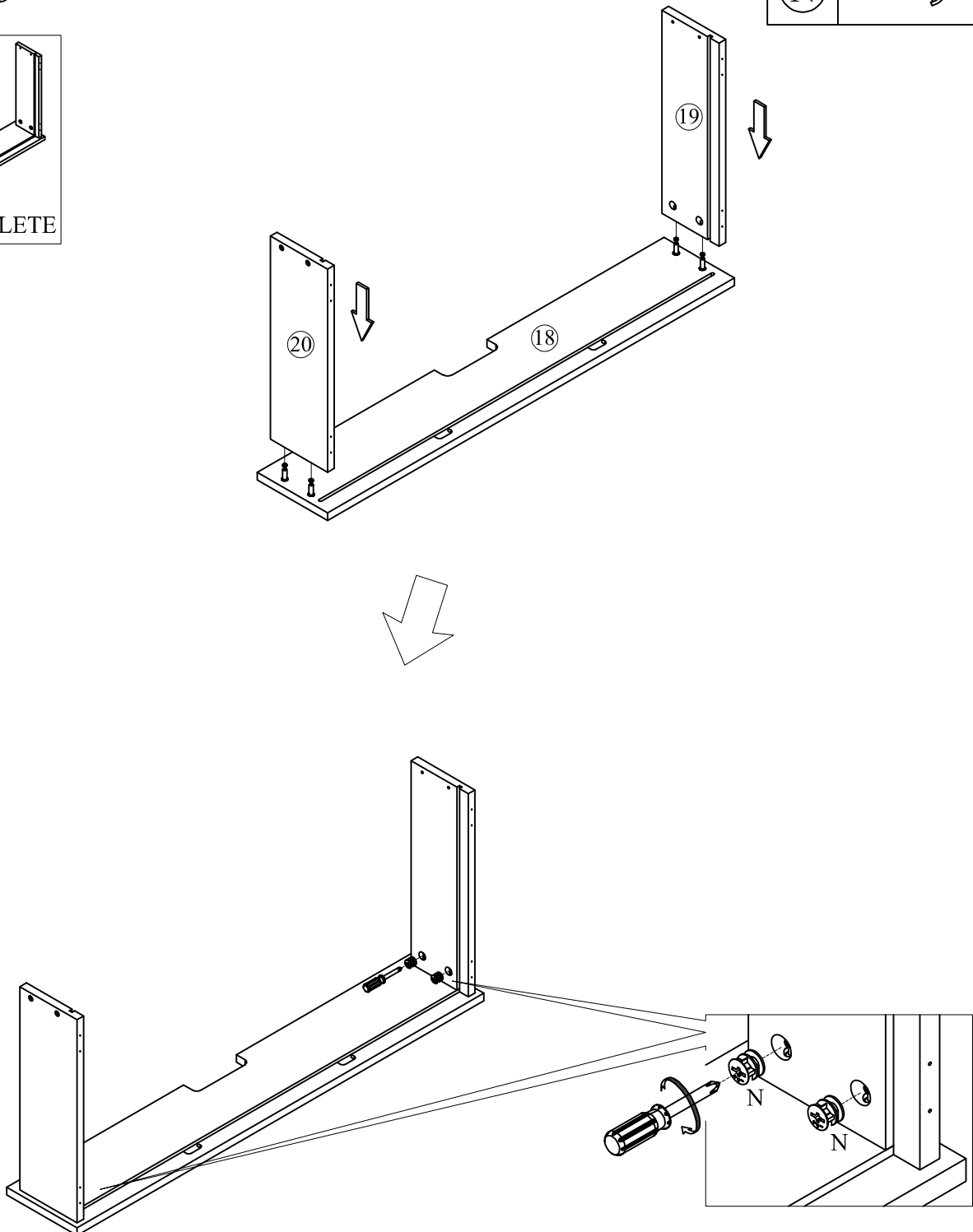
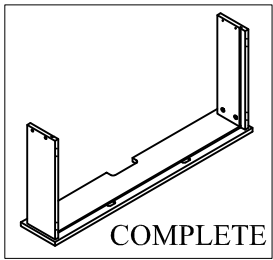
# STEP 12

(N)		04
-----	---	----




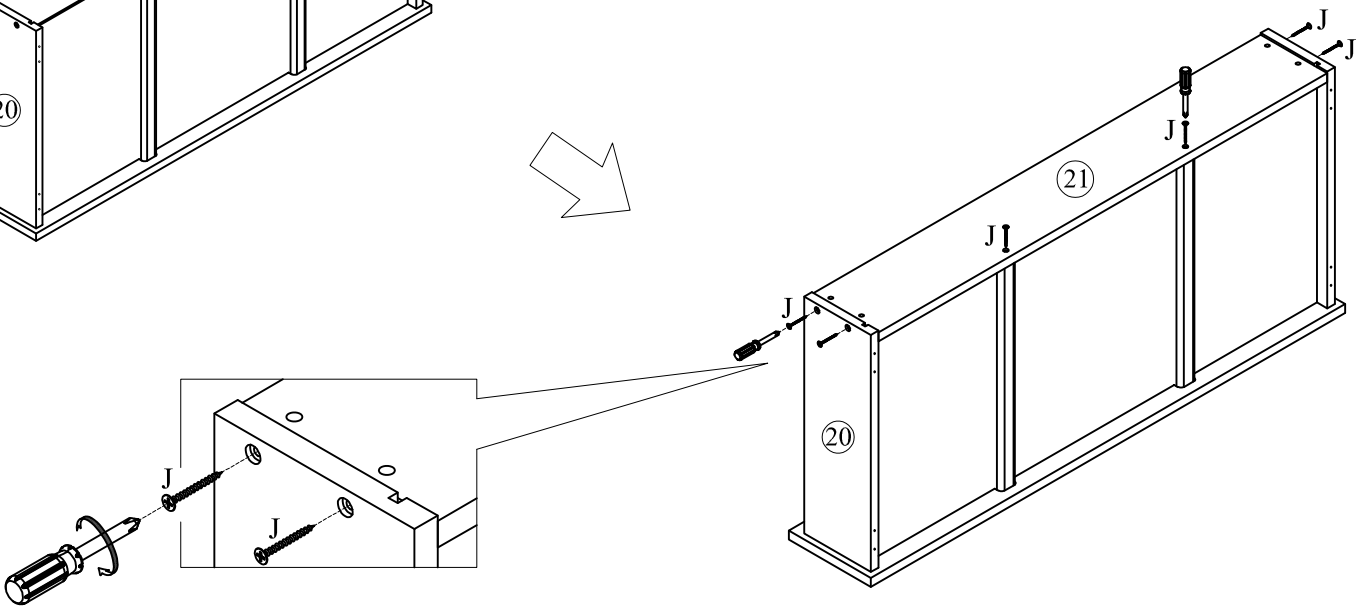
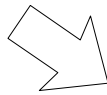
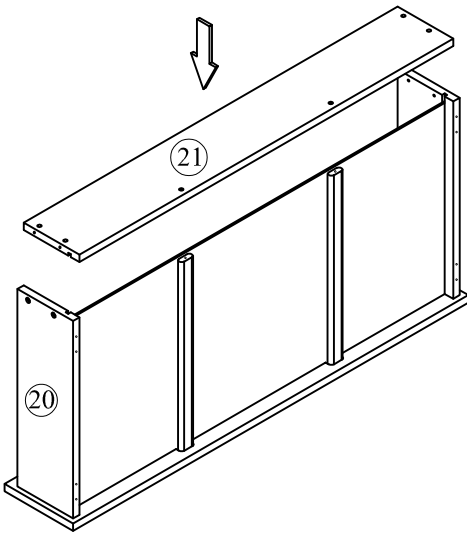
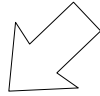
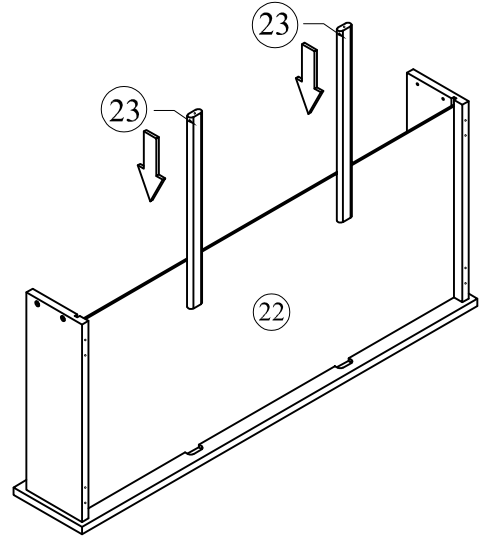
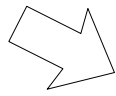
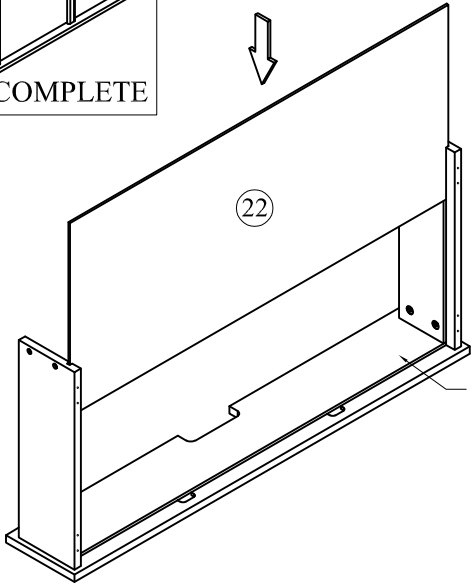
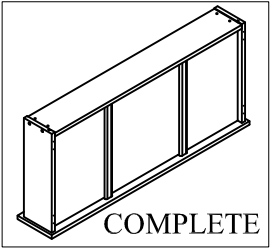
# STEP 13

(N)		04
-----	---	----





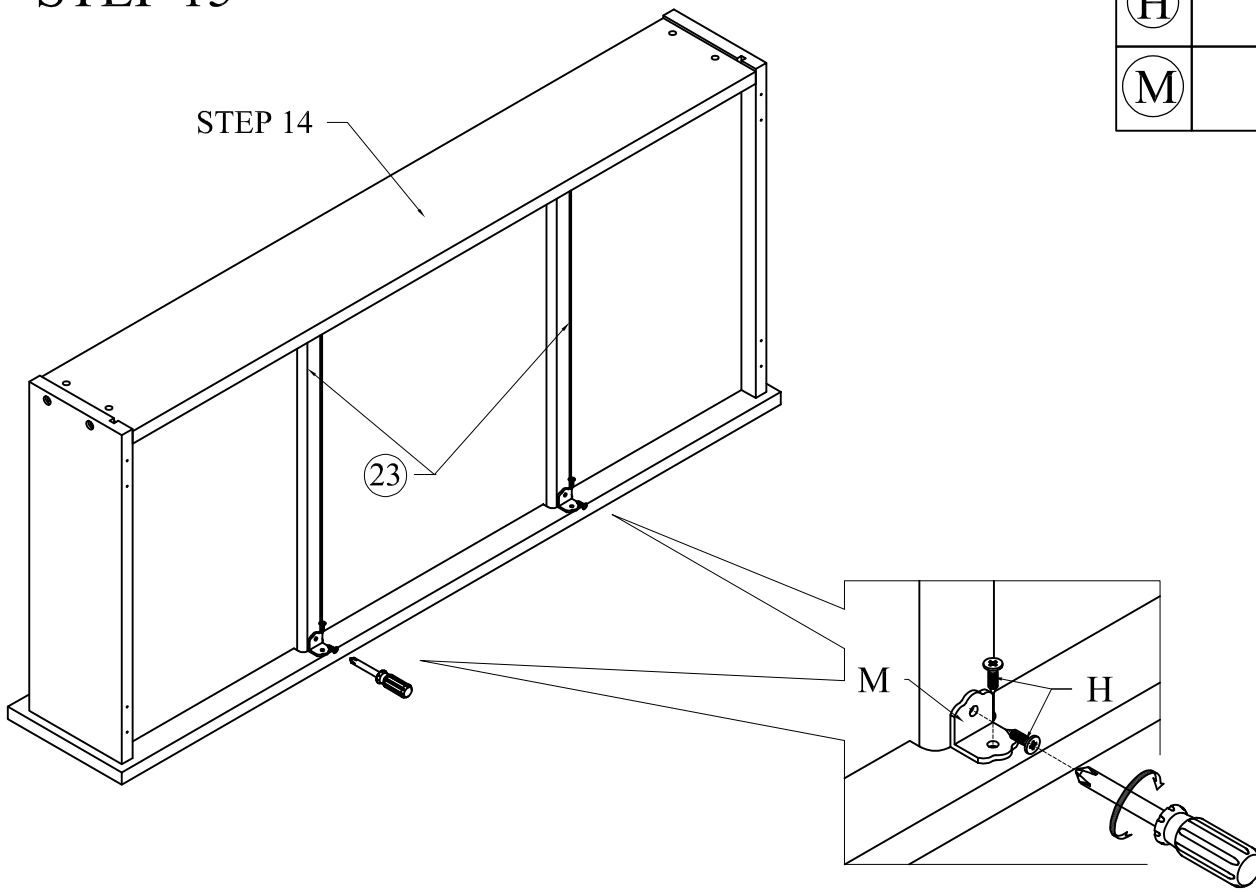
# STEP 14

J		06
---	--	----





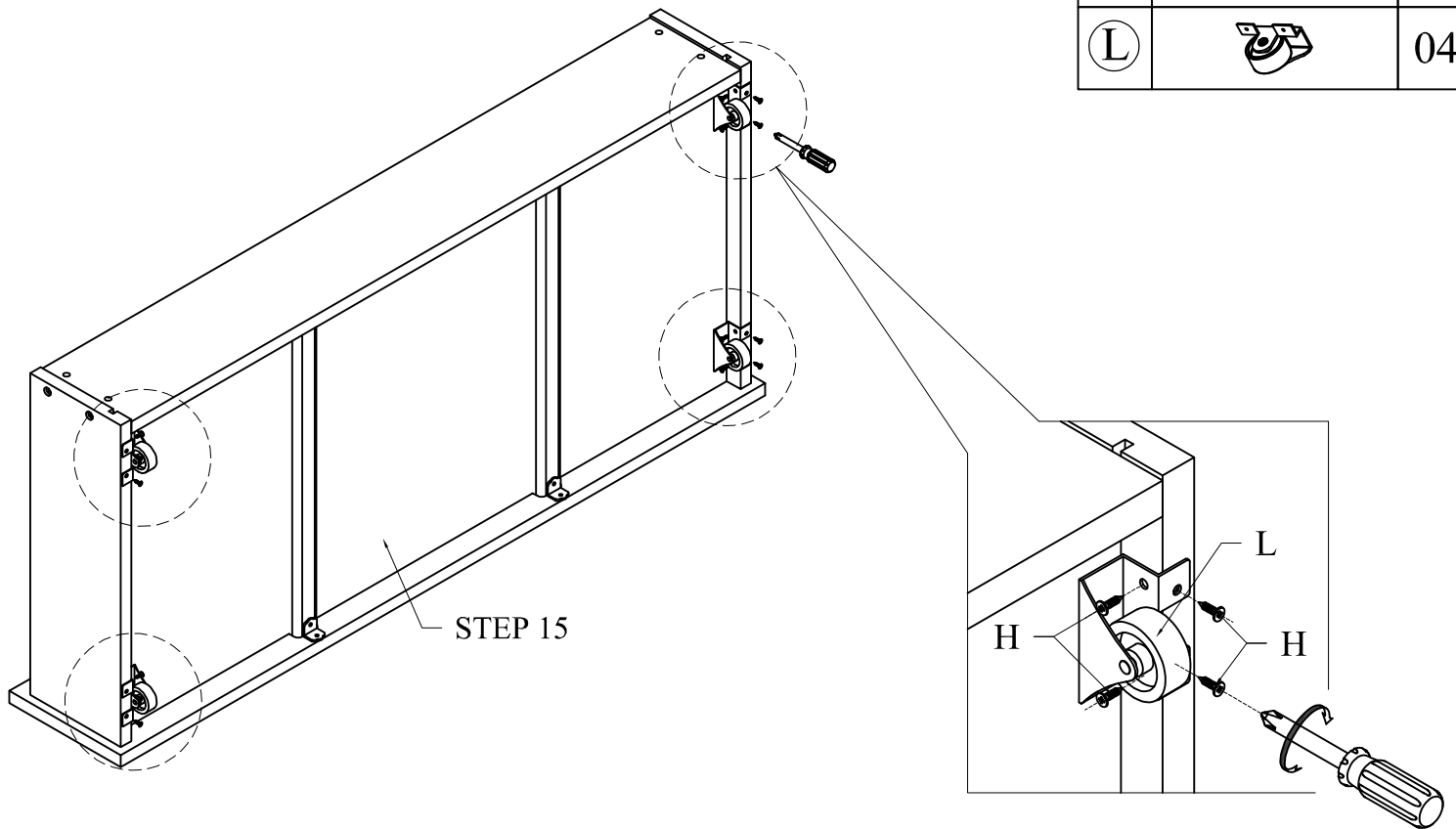
# STEP 15

(H)		04
(M)		02








# STEP 16

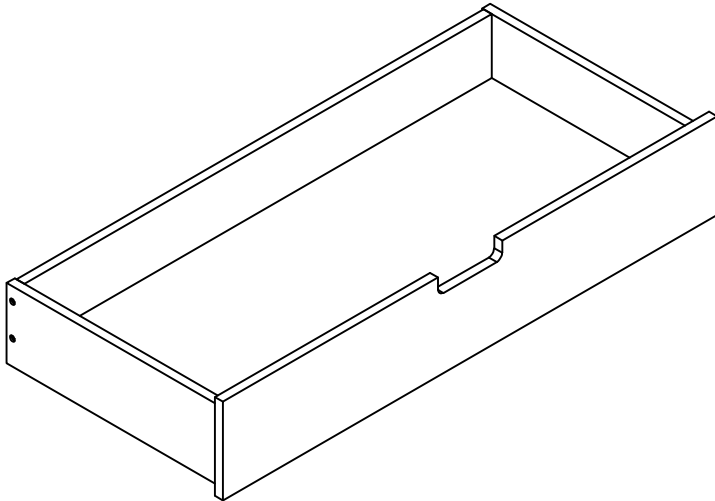
(H)		16
(L)		04



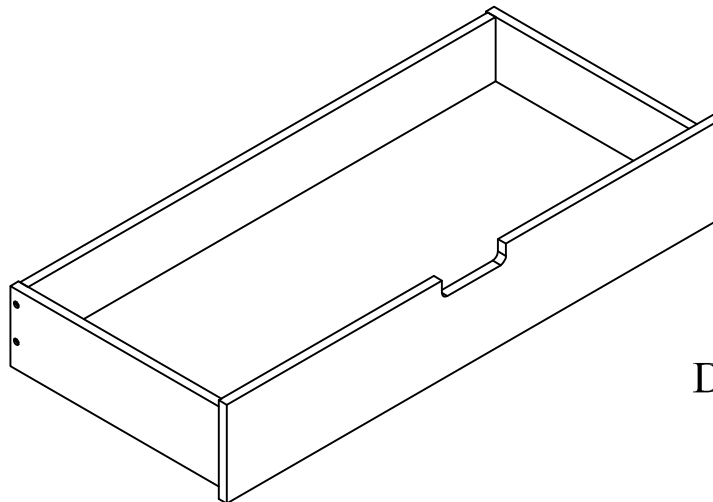
# STEP 17

\* ...Repeat the assembly steps from Step 12 to Step 16 to complete the second Drawer.

(N)		04
(J)		06
(H)		20
(M)		02
(L)		04

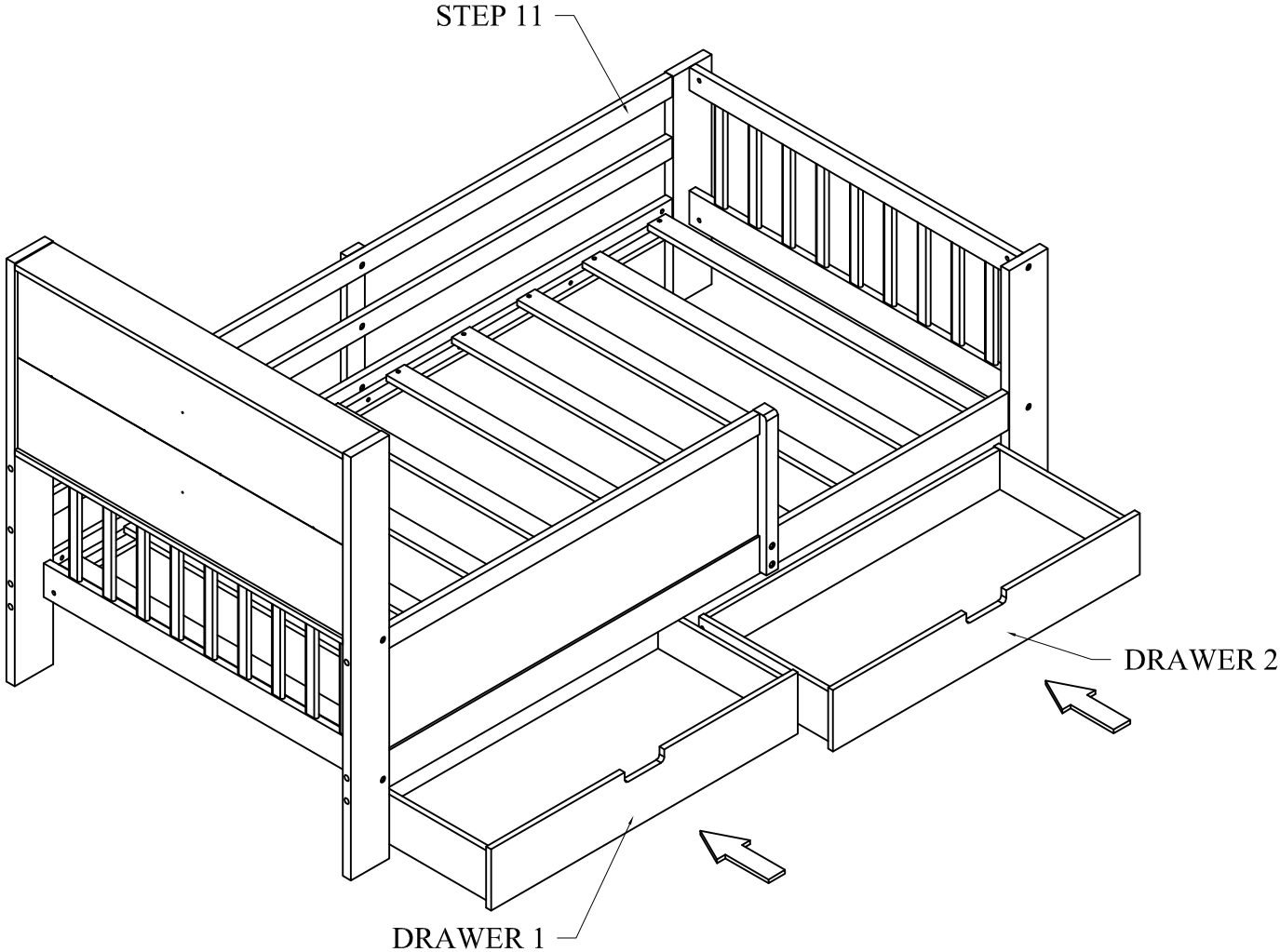


Drawer 1



Drawer 2

# STEP 17



# COMPLETED

