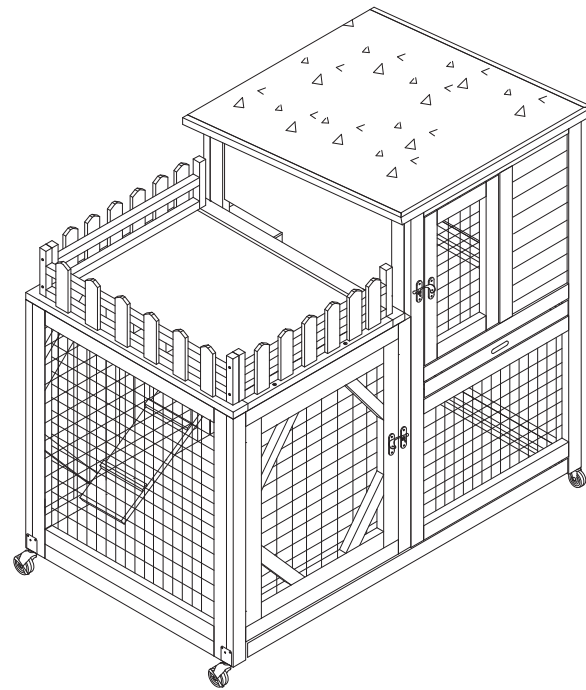

User Manual



Dear Customer,

Thank you for your purchase.

When you receive the product, please make sure that all the parts are intact. Then please browse the entire installation manual before assembly. If problems occur unsatisfactorily as follows:

a. The outer box is damaged.

b. The product is damaged / bent / cracked while you open the box.

c. The parts / accessories / assembly tools are missing.

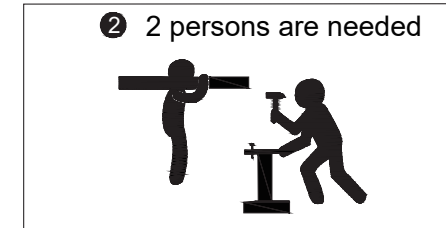
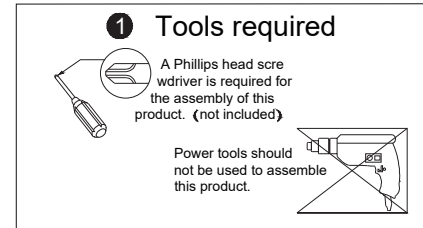
d. The product is hard to assemble.

e. The instructions are not clear and can not be referred to.









f. The product has functional problems.

g. Other aspects that you are not satisfied with.

You need



Hardware List

 M4*40MM A 14PCS	 M4*50MM B 4PCS	 M3*16MM C 20PCS	 M2.5*10MM D 6PCS
 M4*30MM E 8PCS	 M3*25MM F 4PCS	 G 2PCS	 H 2PCS

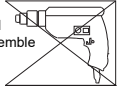
You need

1 Tools required



A Phillips head screwdriver is required for the assembly of this product. (not included)






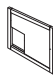
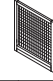
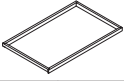
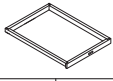



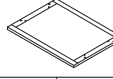
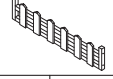
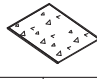
Power tools should not be used to assemble this product.



2 2 persons are needed



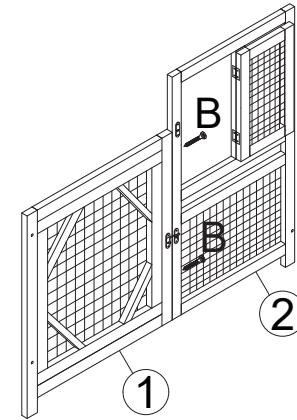
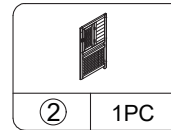
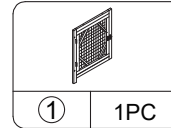
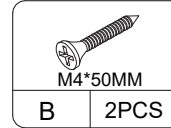
Part List

			
① 1PC	② 1PC	③ 1PC	④ 1PC
			
⑤ 1PC	⑥ 1PC	⑦ 1PC	⑧ 1PC
			
⑨ 1PC	⑩ 1PC	⑪ 1PC	⑫ 1PC
			
⑬ 1PC	⑭ 1PC	⑮ 1PC	

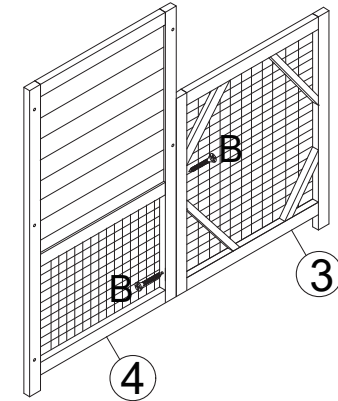
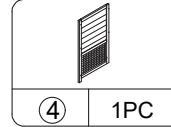
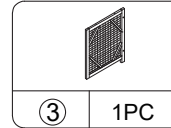
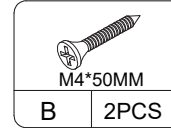
PRODUCT ASSEMBLY

! Check the package contents before getting started !

STEP 1

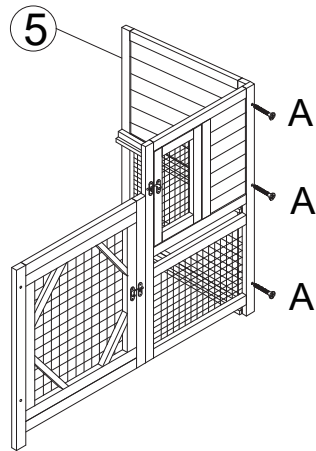
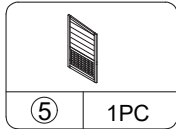


STEP 2

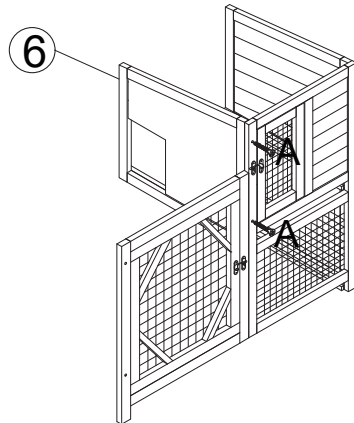
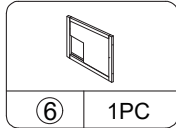


PRODUCT ASSEMBLY

STEP 3

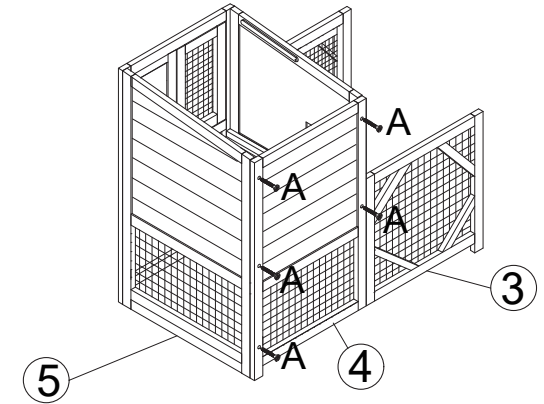
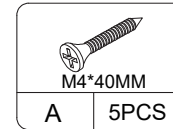


STEP 4

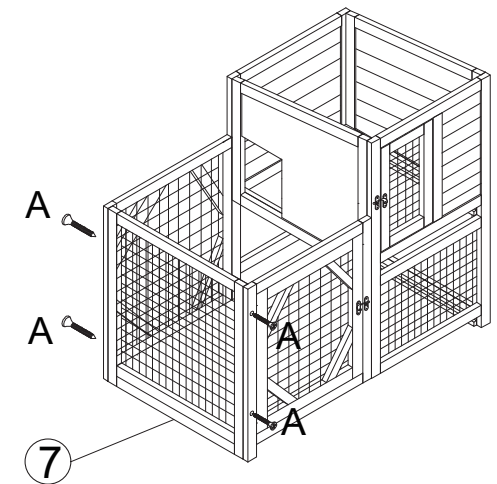
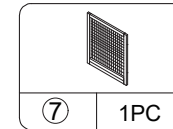
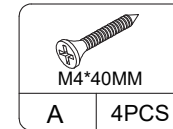


PRODUCT ASSEMBLY

STEP 5

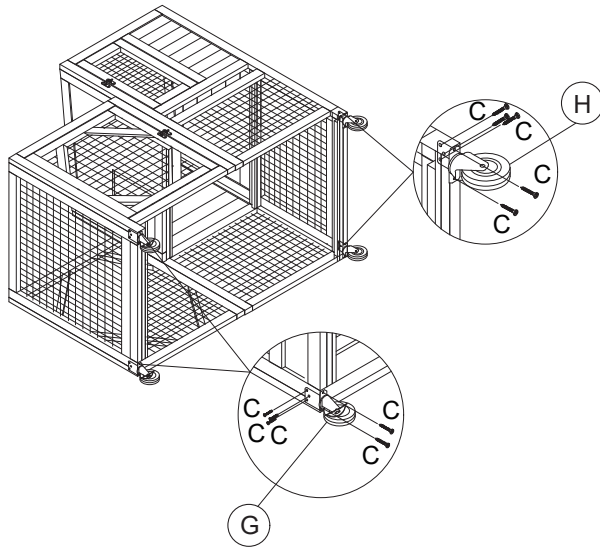
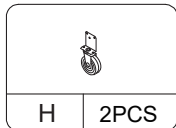
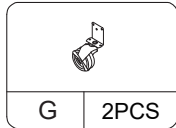
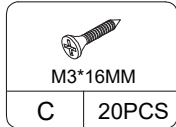


STEP 6

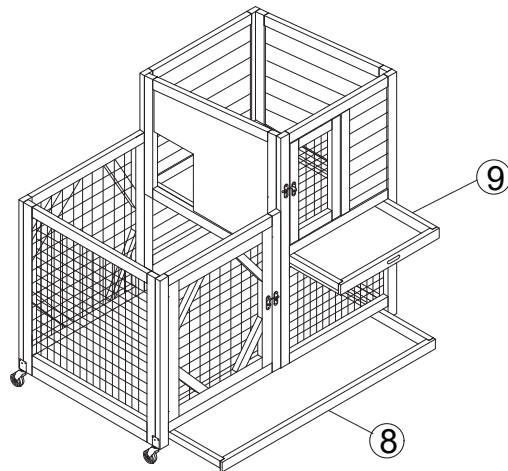
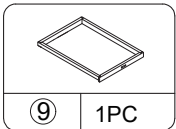
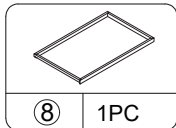


PRODUCT ASSEMBLY

STEP 7

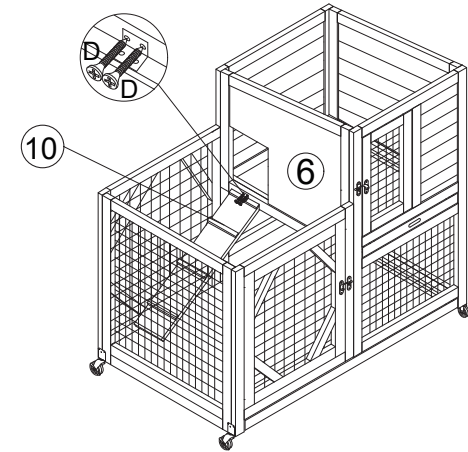
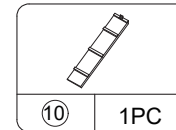
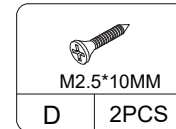


STEP 8

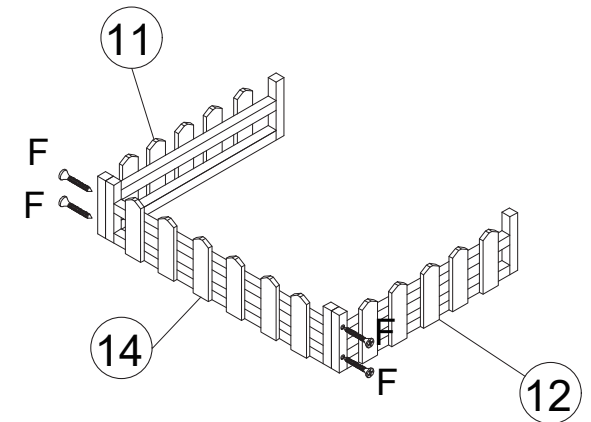
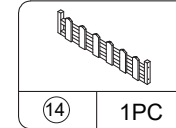
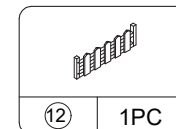
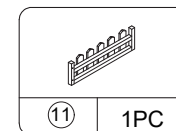
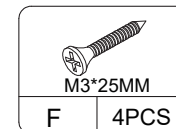


PRODUCT ASSEMBLY


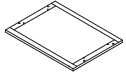
STEP 9

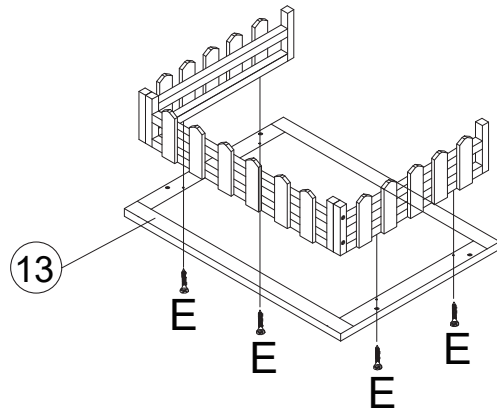


STEP 10



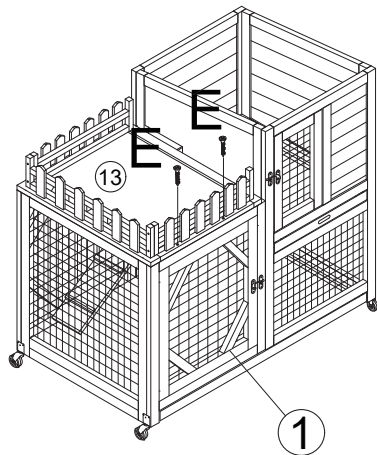
STEP 11

	M4*30MM
E	4PCS
	
13	1PC






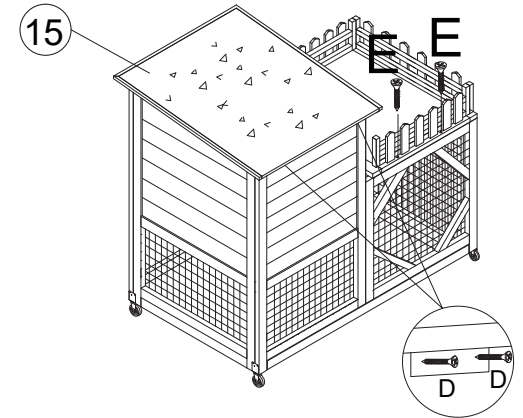
STEP 12

	M4*30MM
E	2PCS



STEP 13

	M4*30MM
E	2PCS
	M2.5*10MM
D	4PCS
	
15	1PC



STEP 14

