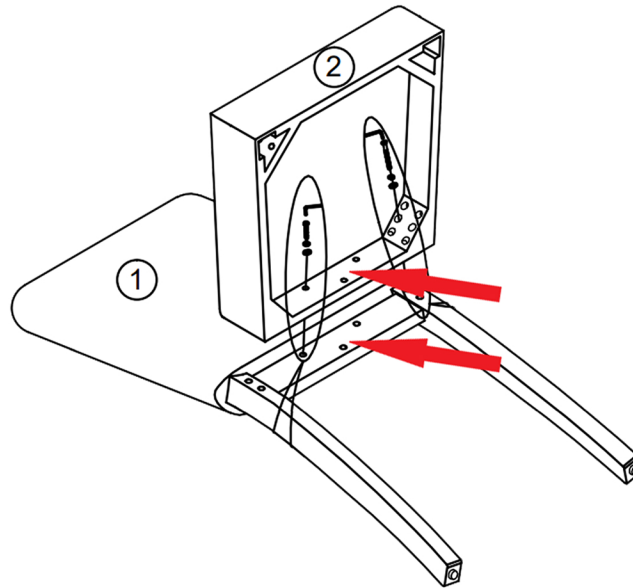


Upholstered Chair Supplemental Assembly Guide

1 - Ensure that the backside of the seat is firmly pressed against the middle of the back legs to line up bolt holes



2 - Insert corner bolts by hand to ensure they are lining up, then gradually tighten by switching back and forth to make sure they are evenly bolted into place

