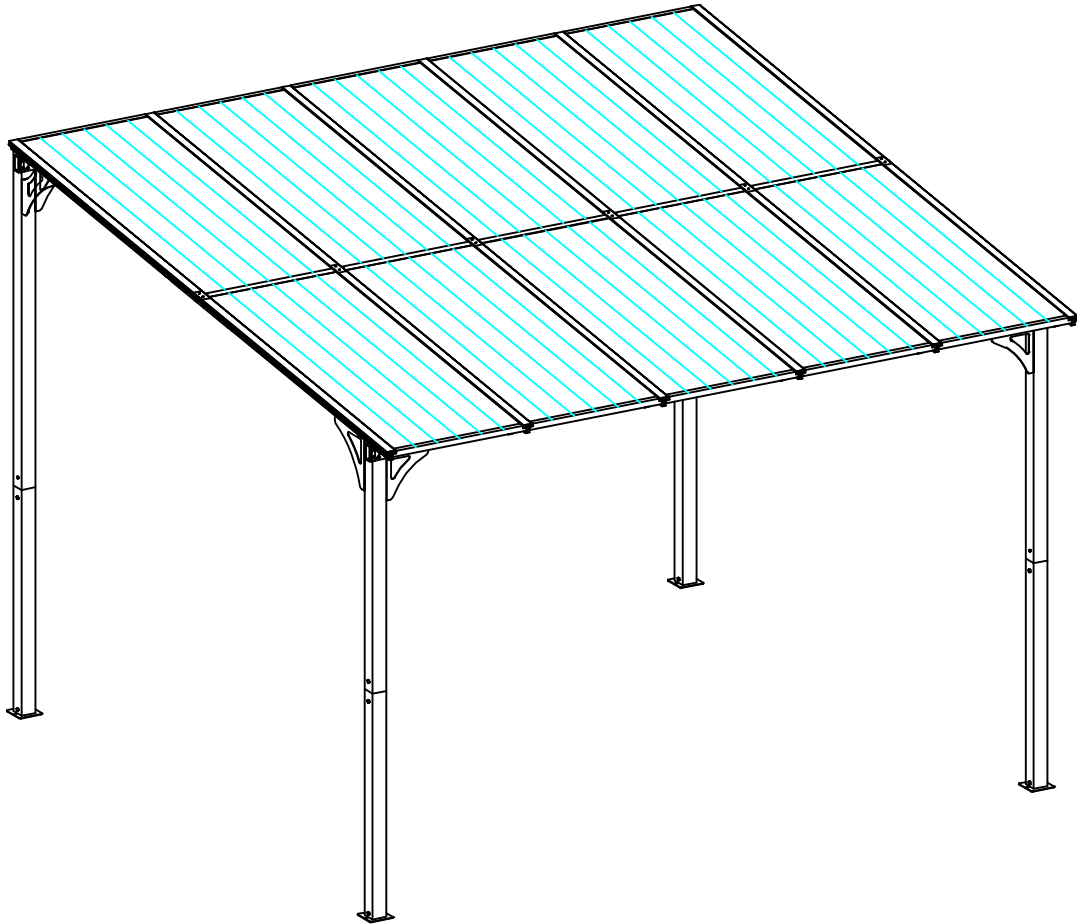


# ASSEMBLY INSTRUCTION

10'X10' Attached Pergola

KQP1010-GR



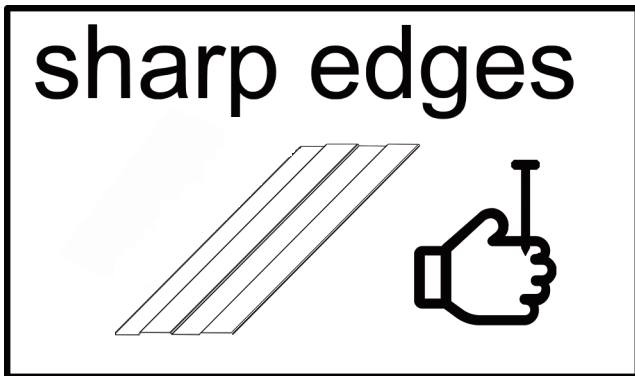
**Minimum of 3 People is required for a safe assembly of the product**

Thank you for shopping with us!

If any parts is missing, broken upon receipt or you need any help from us. For the FASTEST solutions, please **FIRSTLY CONTACT US** at our after-sales email: **CSsince1987@hotmail.com!**

# SAFETY PRECAUTIONS...

*Safety precautions MUST be followed at all times throughout the construction of your building!*



When working with your building's parts, which may have sharp edges, always wear work gloves and eye protection, and put on long sleeves. This helps prevent cuts and injuries during assembly or maintenance.



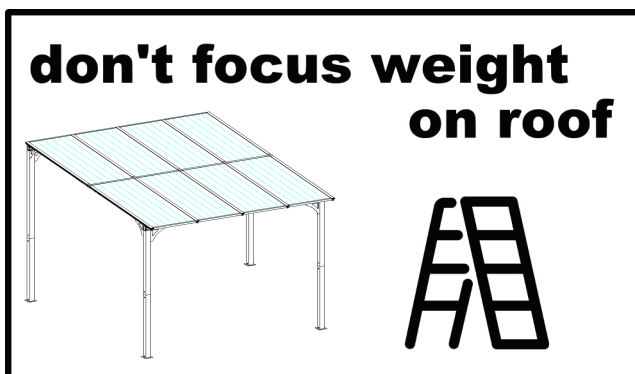
Exercise caution when using tools during assembly. It's particularly important to be well-versed in the use of any power tools involved in the process.



Ensure that children and pets are kept at a safe distance from the construction area until the building is fully assembled. This precaution minimizes distractions and reduces the risk of accidents.



**Wind Advisory:**  
Avoid assembling your building on a windy day. Large panels can act like sails in the wind, making them hard to control and posing safety risks during construction.



**Roof Safety Warning:**  
Never put your full weight on the building's roof. Always ensure that a step ladder is fully extended and placed on level ground before climbing it.

**Complete Check:**  
Before starting assembly, verify that you have all the parts and hardware listed. A partially assembled building can be vulnerable to damage, even from mild winds.

# ASSEMBLY TIPS & TOOLS

## Weather Awareness:

Choose a clear and calm day for your installation. Avoid building assembly on windy days, and be cautious if the ground is wet or muddy.

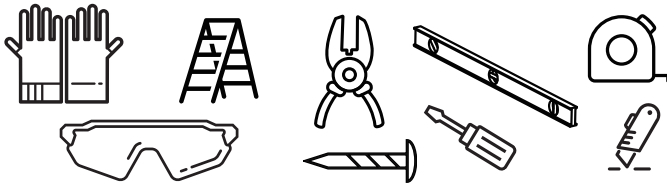
## Team Effort Required:

Assembling your building is a three-person job at minimum. One can hold parts or panels in place, while the other secures them and manages the tools, ensuring a quicker and safer assembly process.

## Gathering Your Tools and Supplies:

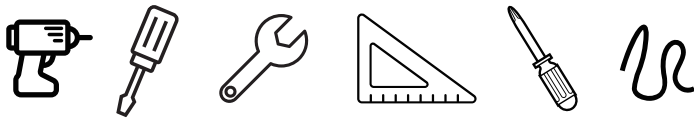
Prepare by listing the basic tools and materials necessary for assembly. Your choice of anchoring method and base type will determine the complete list of materials required.

### WHAT YOU NEED



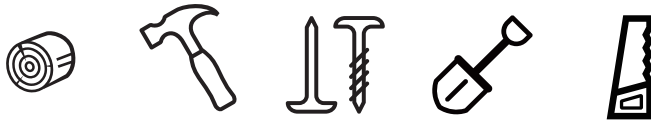
- Work Gloves
- Safety Glasses
- Step Ladder
- No. 2 Phillips Screwdriver (Magnetic Tip Preferred)
- Utility Knife or Scissors
- Pliers
- Carpenter's Level
- Tape Measure

### RECOMMENDED TIME SAVERS



- Power Drill (Cordless, Variable Speed)
- Nut Driver or Wrench
- Square
- String (for squaring the frame)
- Awl (to align holes)

### BASE PREPARATION TOOLS



- Lumber and/or Concrete
- Hammer and Nails
- Spade or Shovel
- Hand Saw or Power Saw

## Choosing and Preparing Your Site:

Select an ideal spot for your building before assembly begins. Opt for a level area with effective drainage.



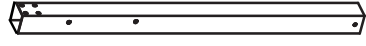
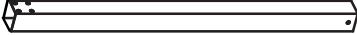
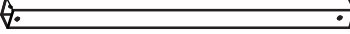
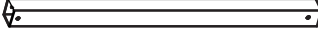








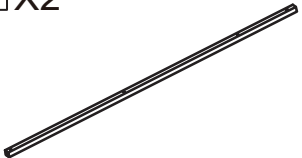

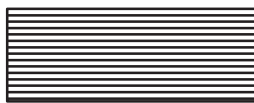
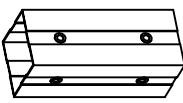
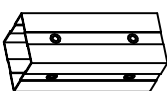
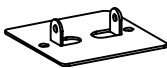

Ensure ample space around the construction area for easy movement and assembly of parts. Check that there's sufficient clearance at the entrance for doors to open fully. Additionally, you'll need enough external space around the building for attaching panel screws from the outside.

Prior to starting the assembly of any parts, make sure your base is in place and the anchoring system is set up and ready for action.

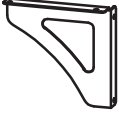




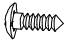






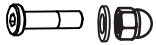
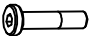
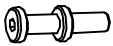
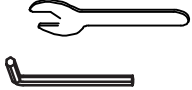
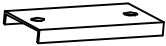



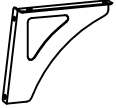
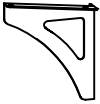
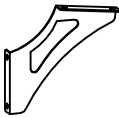


### Please note:

Some local government authorities have rules & regulations on shed installation, and you may need approval to erect this shed.

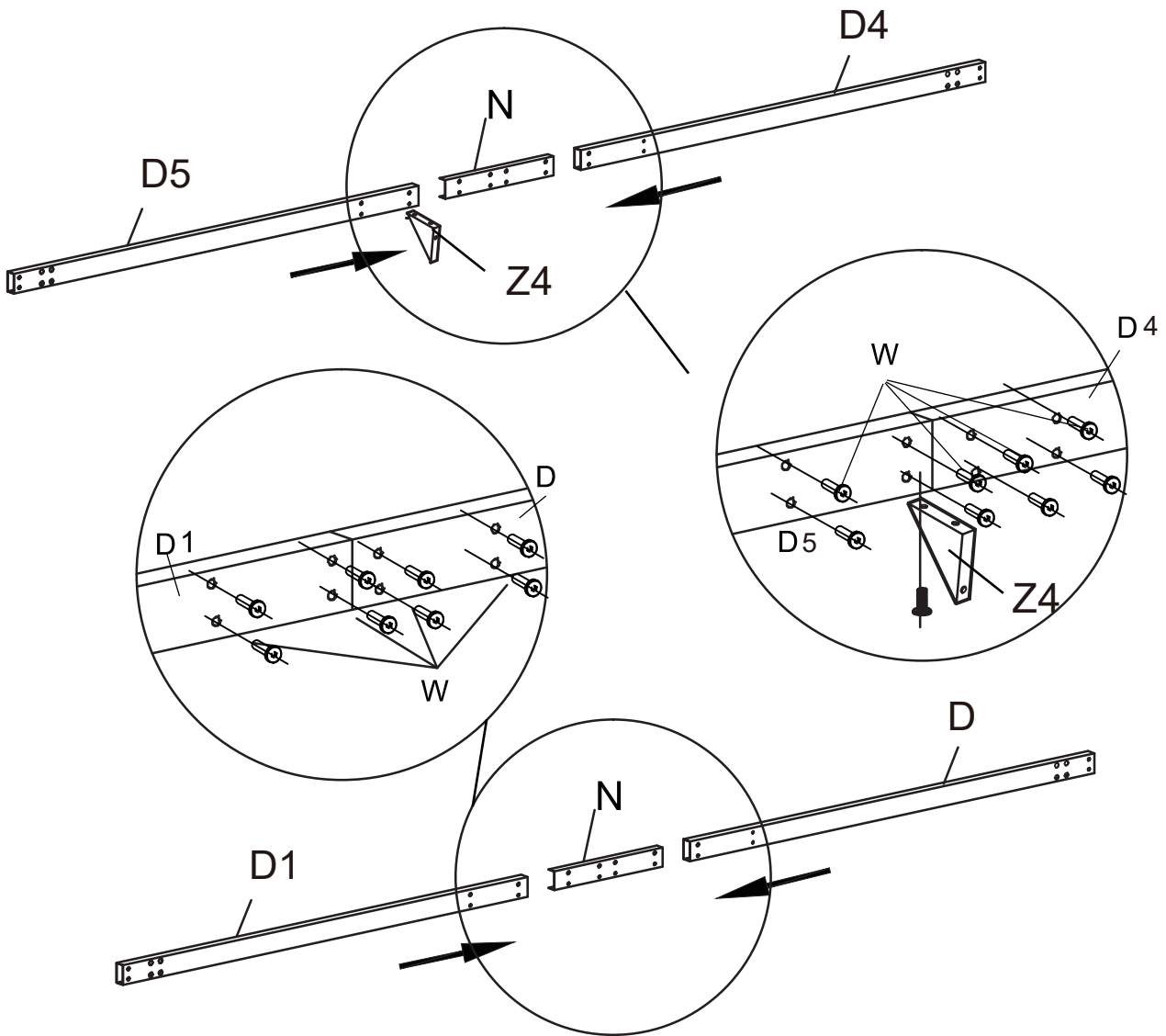
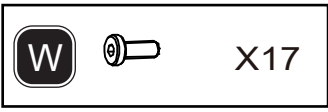
Parts List

<p><b>A</b> X1</p>  <p>Top Back Leg(Left)</p>	<p><b>A1</b> X1</p>  <p>Top Back Leg(Right)</p>	<p><b>B</b> X1</p>  <p>Top Front Leg(Left)</p>
<p><b>B1</b> X1</p>  <p>Top Front Leg(Right)</p>	<p><b>C</b> X2</p>  <p>Bottom Leg</p>	<p><b>C1</b> X2</p>  <p>Bottom Leg</p>
<p><b>D</b> X1</p>  <p>Side Beam</p>	<p><b>D1</b> X1</p>  <p>Side Beam</p>	<p><b>D4</b> X1</p>  <p>Side Beam</p>
<p><b>D5</b> X1</p>  <p>Side Beam</p>	<p><b>E</b> X8</p>  <p>Board Arm</p>	<p><b>F</b> X10</p>  <p>Board Protection</p>
<p><b>G</b> X5</p>  <p>Middle Board Connection</p>	<p><b>H</b> X6</p>  <p>Arm Down Connection</p>	<p><b>I</b> X2</p>  <p>Arm Hold Tube(Side)</p>
<p><b>J</b> X6</p>  <p>Arm Up Connection</p>	<p><b>K</b> X10</p>  <p>UV Protected Board</p>	<p><b>L</b> X2</p>  <p>Leg Connection</p>
<p><b>L1</b> X2</p>  <p>Leg Connection</p>	<p><b>M</b> X4</p>  <p>Wall &amp; Beam Connection</p>	<p><b>N</b> X2</p>  <p>Back Connection</p>

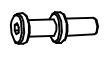
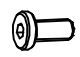
Parts List

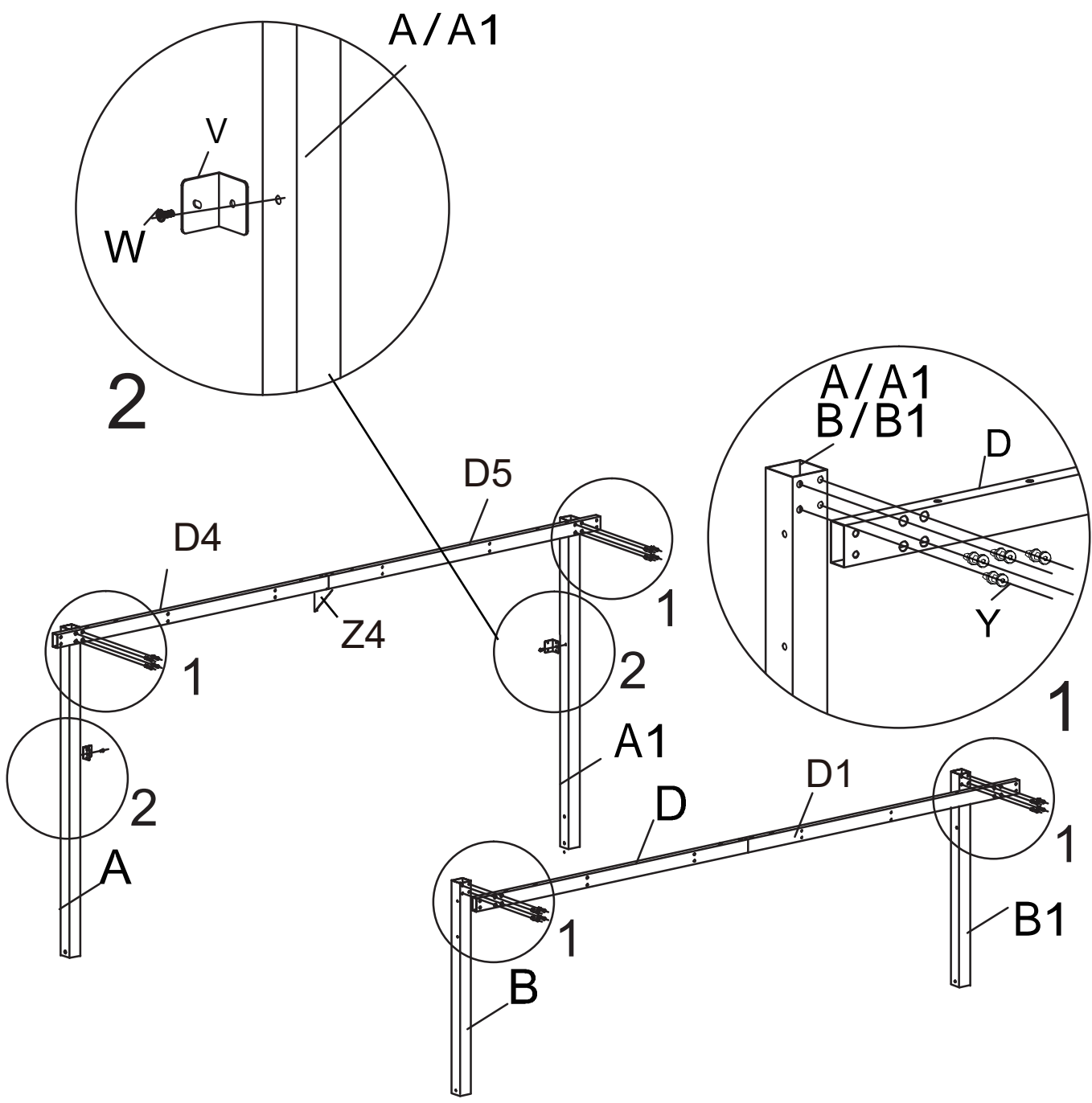
<p><b>O</b> X2</p>  <p>Right Beam Hold</p>	<p><b>P</b> X2</p>  <p>Left Beam Hold</p>	<p><b>Q</b> X12</p>  <p>Arm &amp; Beam Connection</p>	<p><b>R</b> X12</p>  <p>Arm Protection</p>
<p><b>S</b> X1</p>  <p>Arm Hold Tube Connection</p>	<p><b>T</b> X14</p>  <p>Bolt 6*12mm</p>	<p><b>U</b> X4</p>  <p>Beam Plug</p>	<p><b>V</b> X2</p>  <p>Wall Connection</p>
<p><b>V1</b> X2</p>  <p>Hold Plug</p>	<p><b>V2</b> X2</p>  <p>Top Leg Plug</p>	<p><b>V3</b> X2</p>  <p>Top Leg Plug</p>	<p><b>W</b> X135</p>  <p>Bolt M6*12mm</p>
<p><b>X</b> X36</p>  <p>Bolt M6*25mm</p>	<p><b>X1</b> X6</p>  <p>Bolt M6*40mm</p>	<p><b>Y</b> X16</p>  <p>Bolt M6*38mm</p>	<p><b>Z</b> X1</p>  <p>Allen Wrench</p>
<p><b>Z1</b> X6</p>  <p>Arm Up Connection</p>	<p><b>Z5</b> X11</p>  <p>Expansion Bolts</p>	<p><b>Z4</b> X1</p>  <p>Middle Wall Connection</p>	<p><b>E1</b> X2</p>  <p>Board Arm</p>
<p><b>Z6</b> X1</p>  <p>Right Beam Hold</p>	<p><b>Z7</b> X1</p>  <p>Left Beam Hold</p>	<p><b>Z8</b> X1</p>  <p>Left Beam Hold</p>	<p><b>Z9</b> X1</p>  <p>Right Beam Hold</p>
<p><b>E2</b> X2</p>  <p>Board Arm</p>			

STEP 1

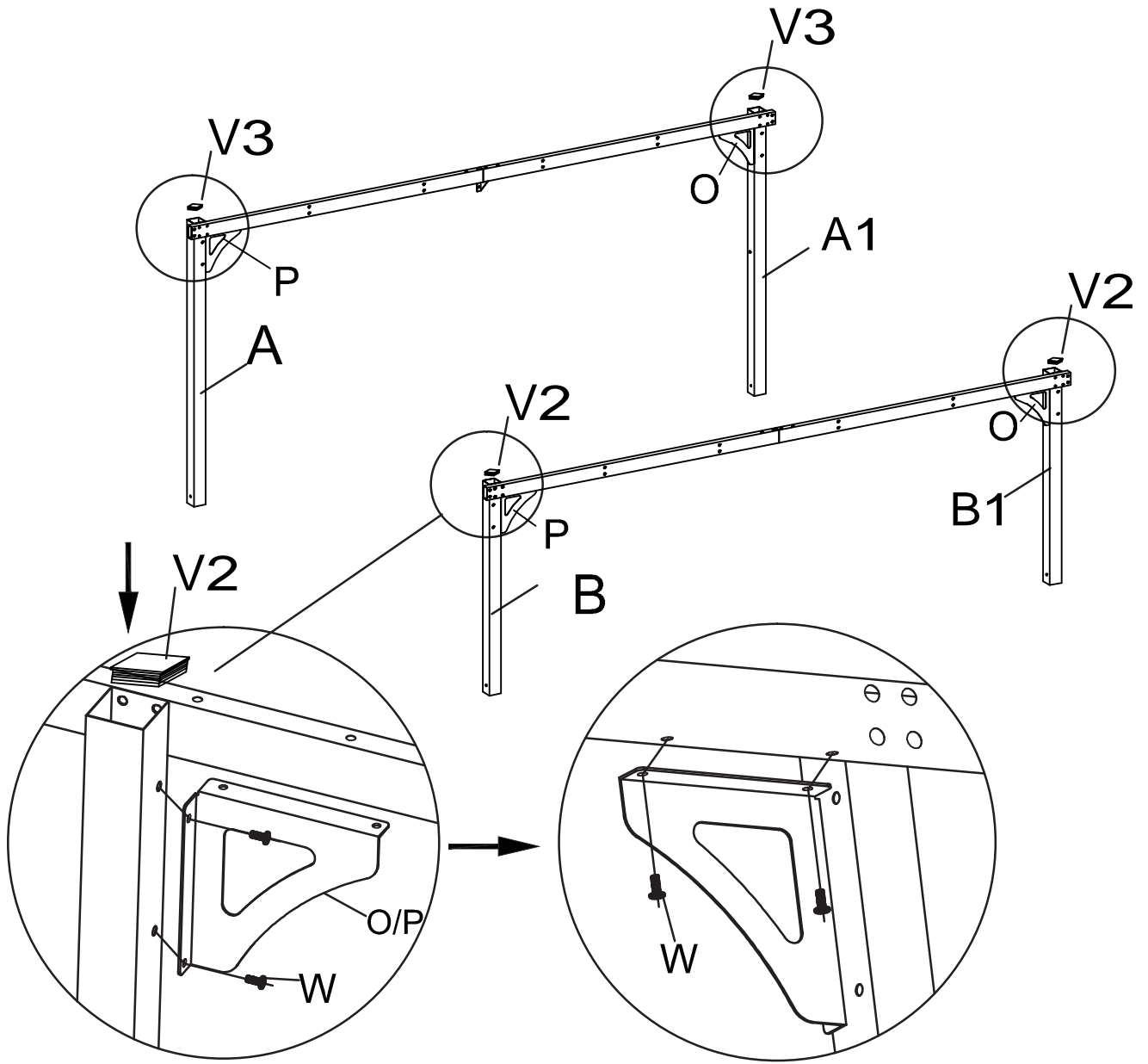
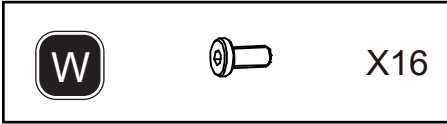


STEP 2



Y		X16
W		X2

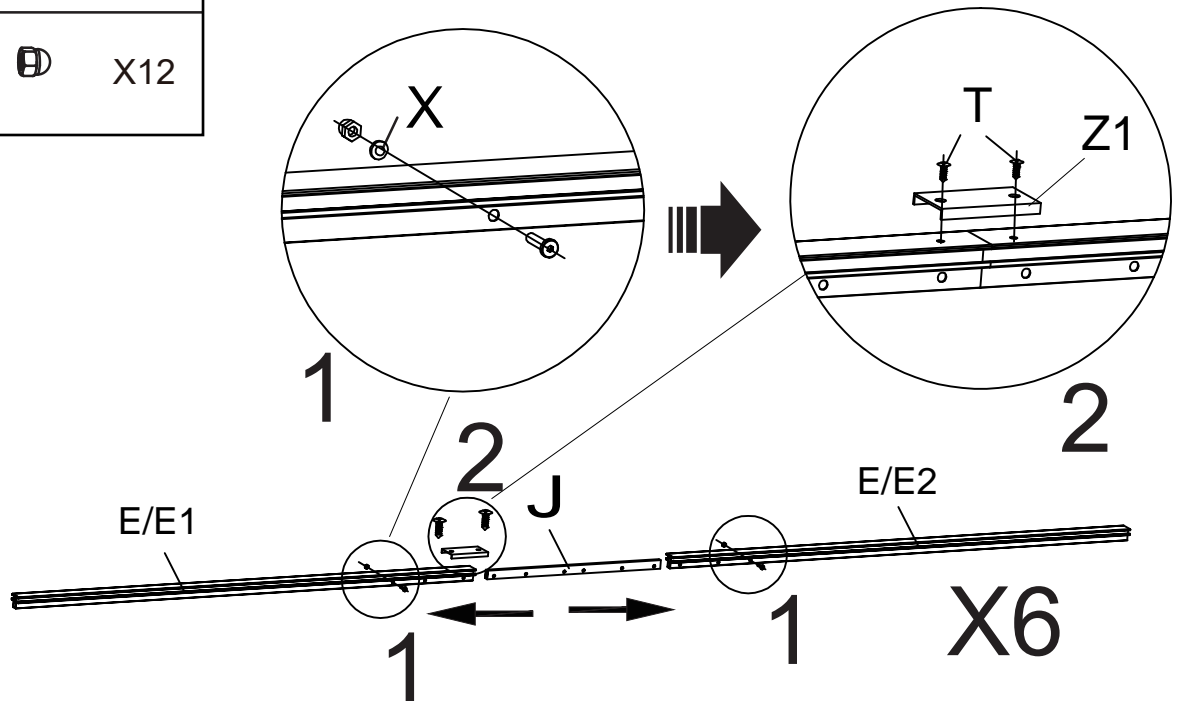


STEP3

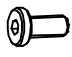



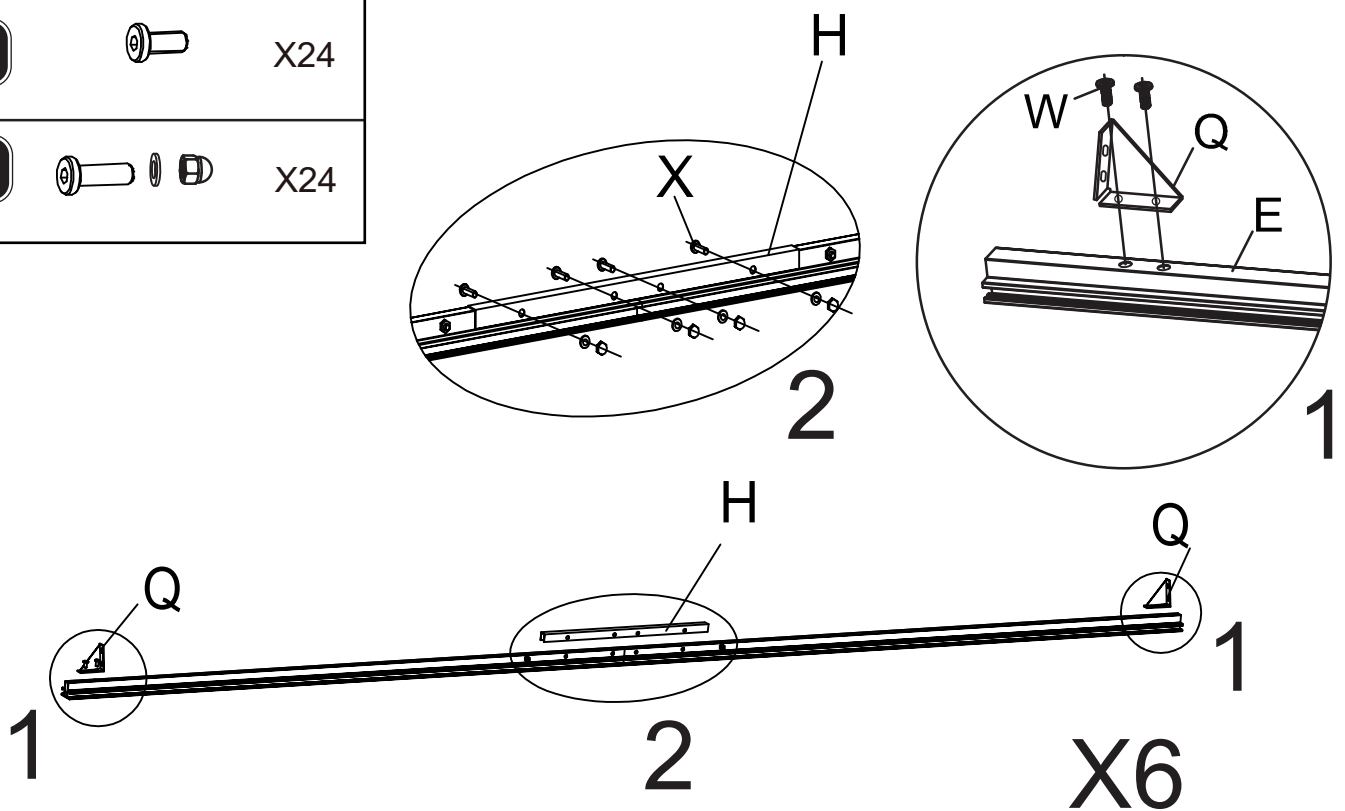
STEP4

<b>T</b>		X12
<b>X</b>		X12

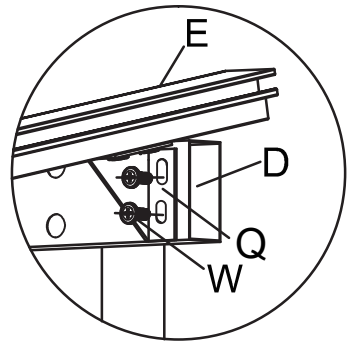
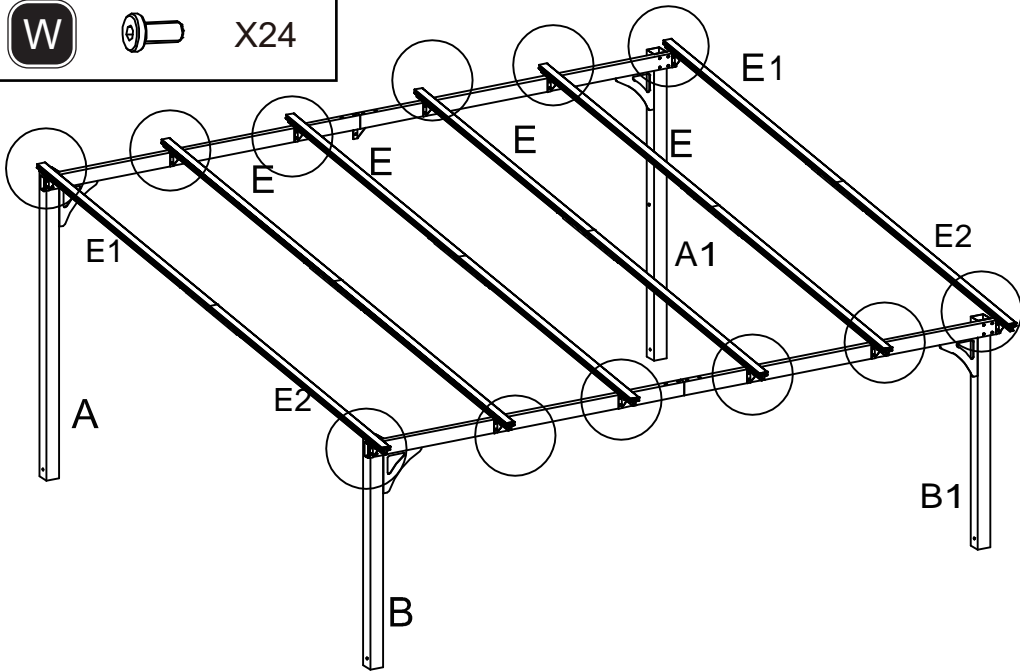
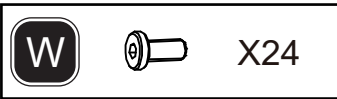


STEP5

<b>W</b>		X24
<b>X</b>		X24

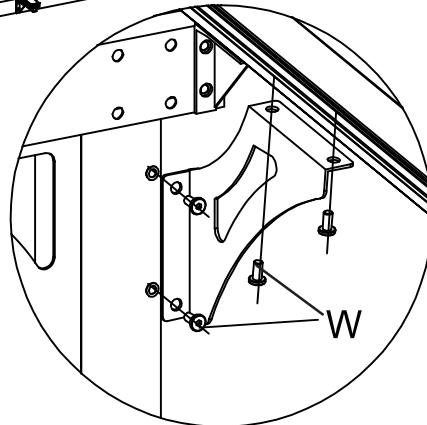
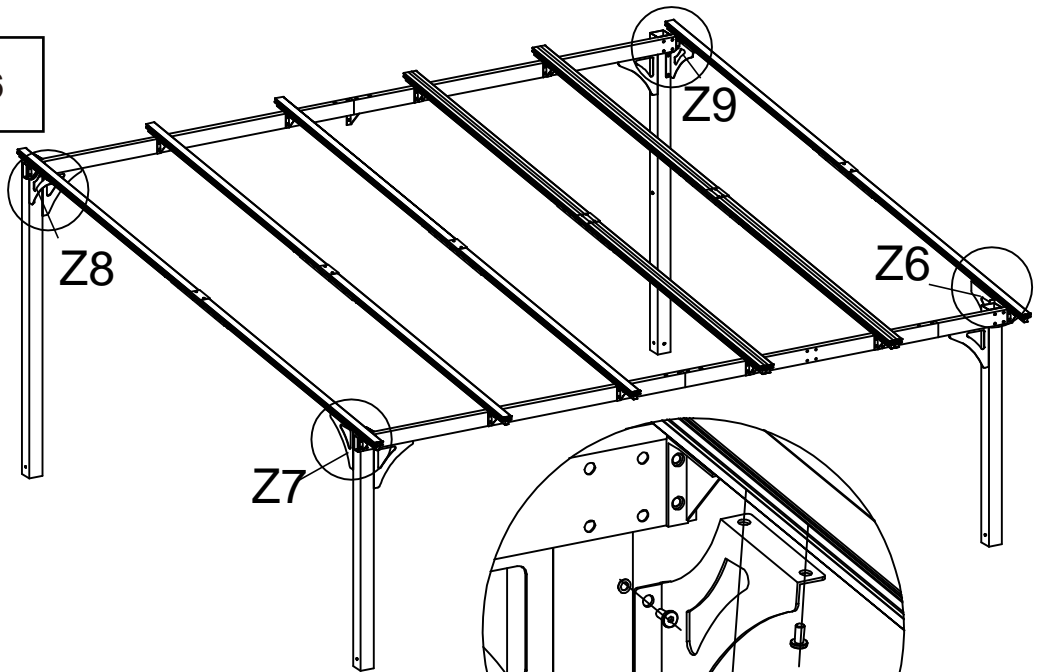
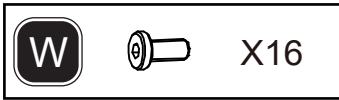


STEP6

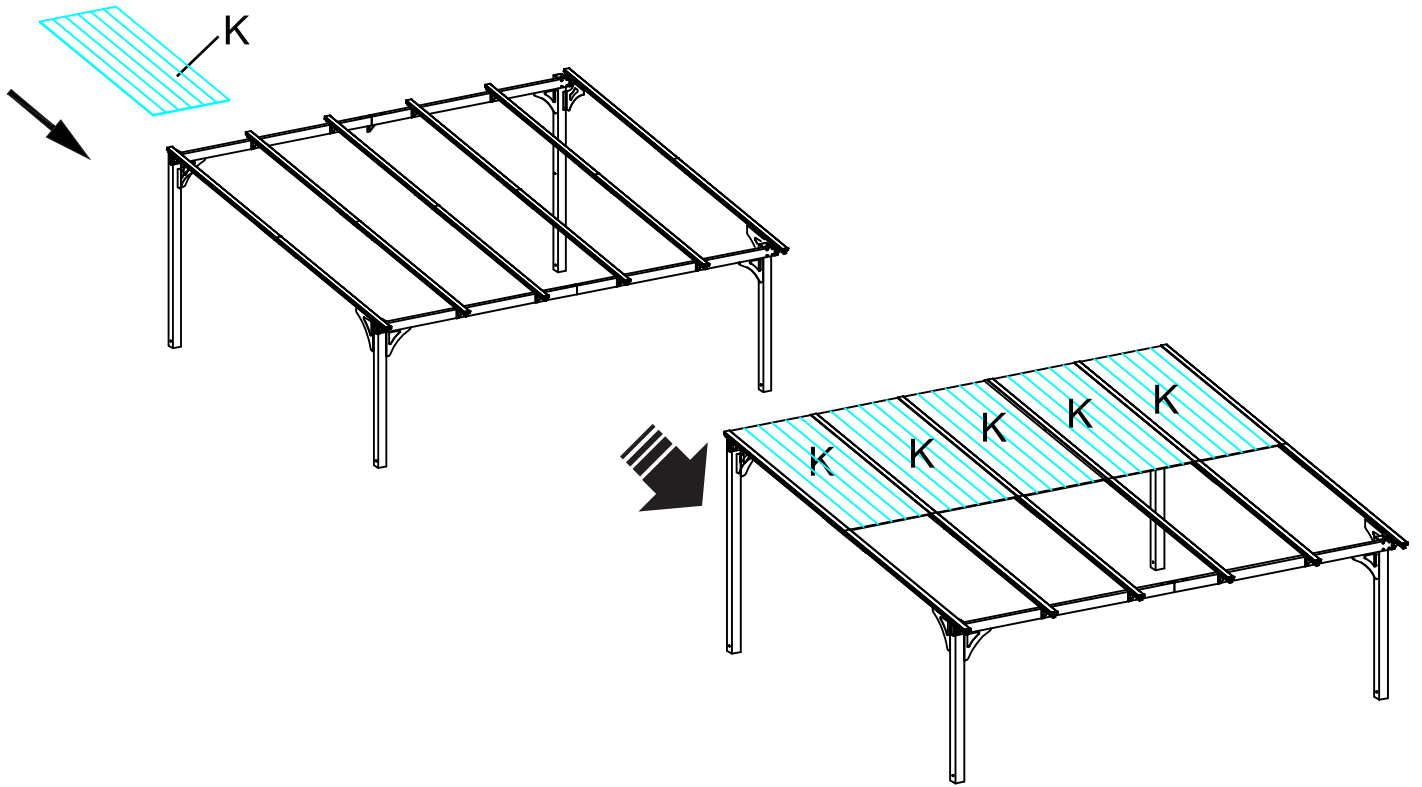


**TIPS:**Part Q is used by slotted holes that please use the same sides of both holes to make top side of Q higher than Part D . Slotted holes will support the cover board more strongly.

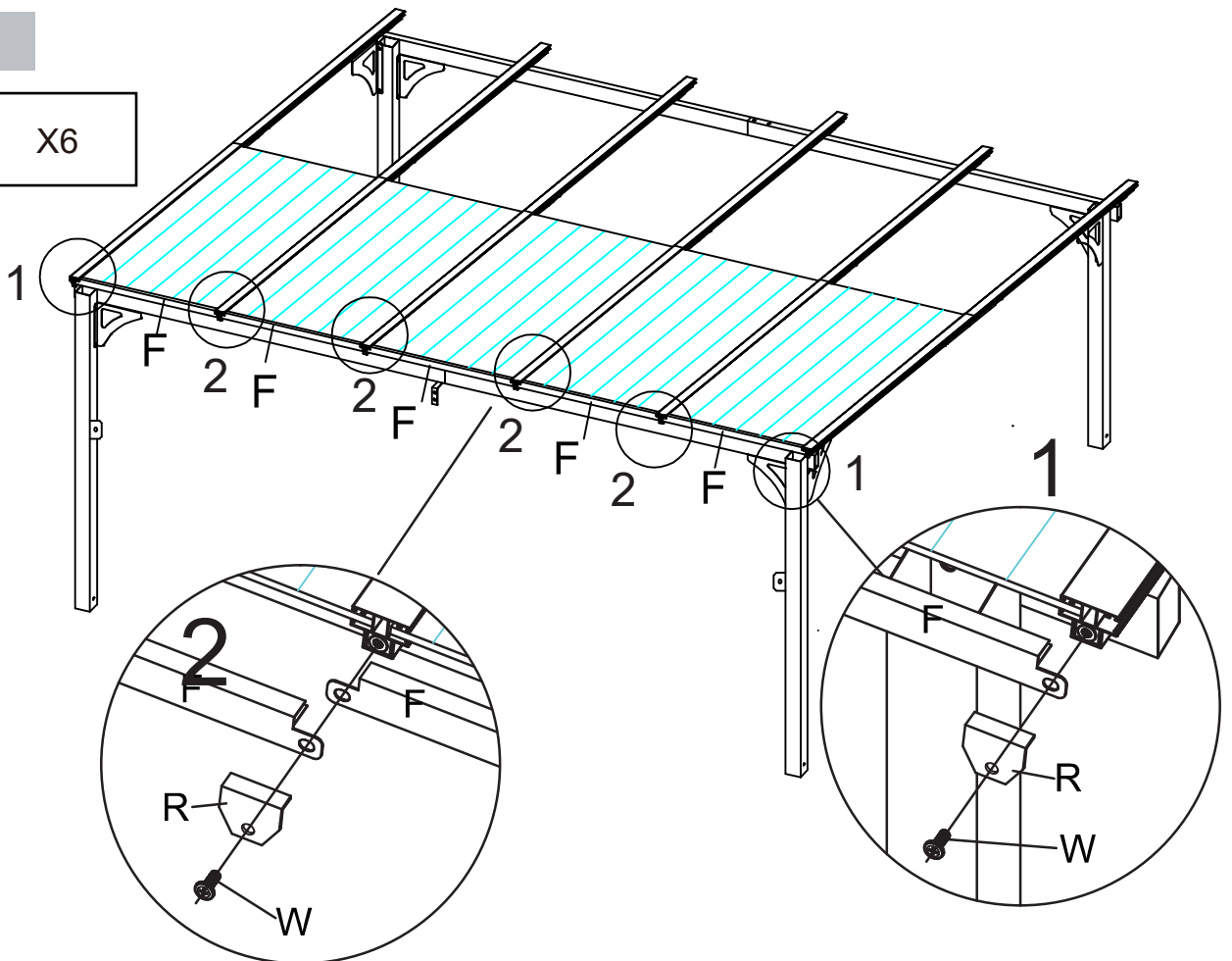
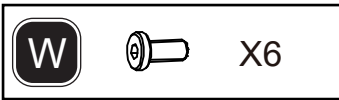
STEP7



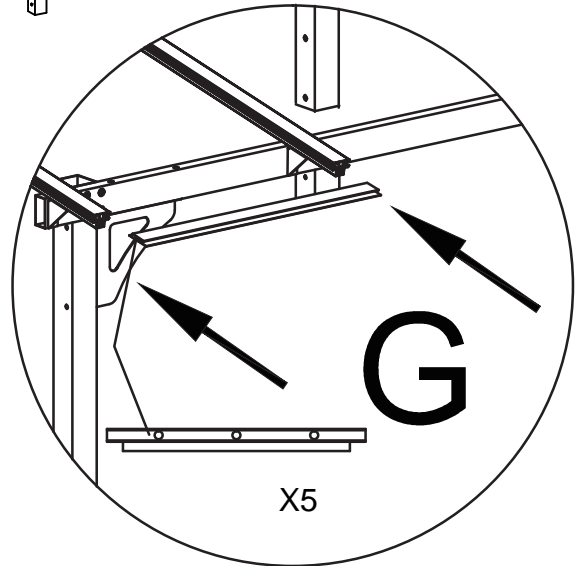
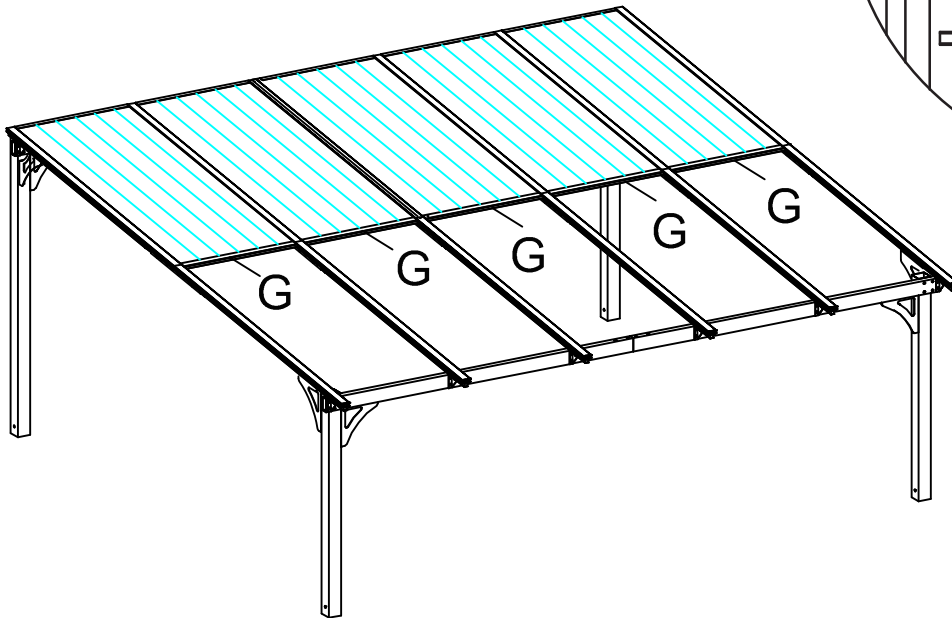
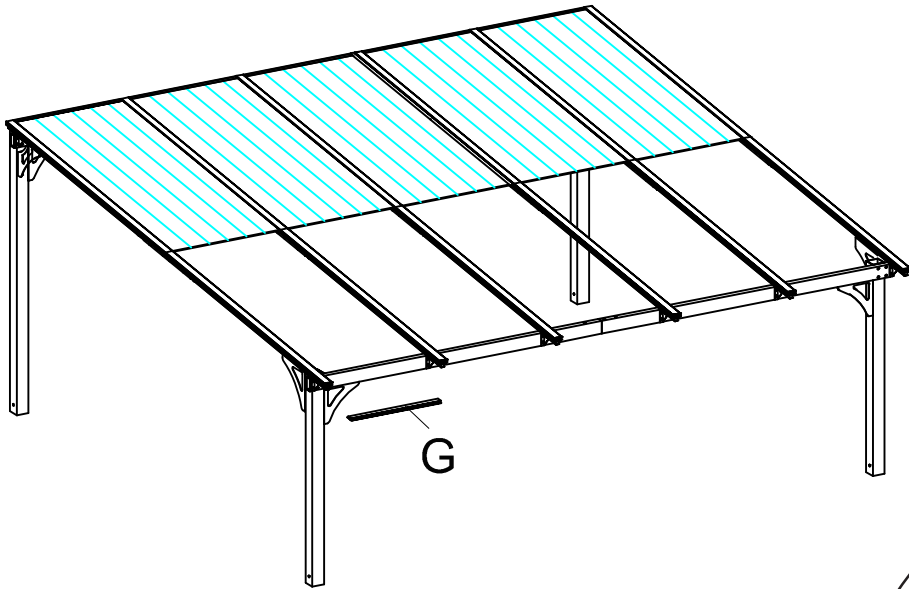
STEP 8



STEP 9

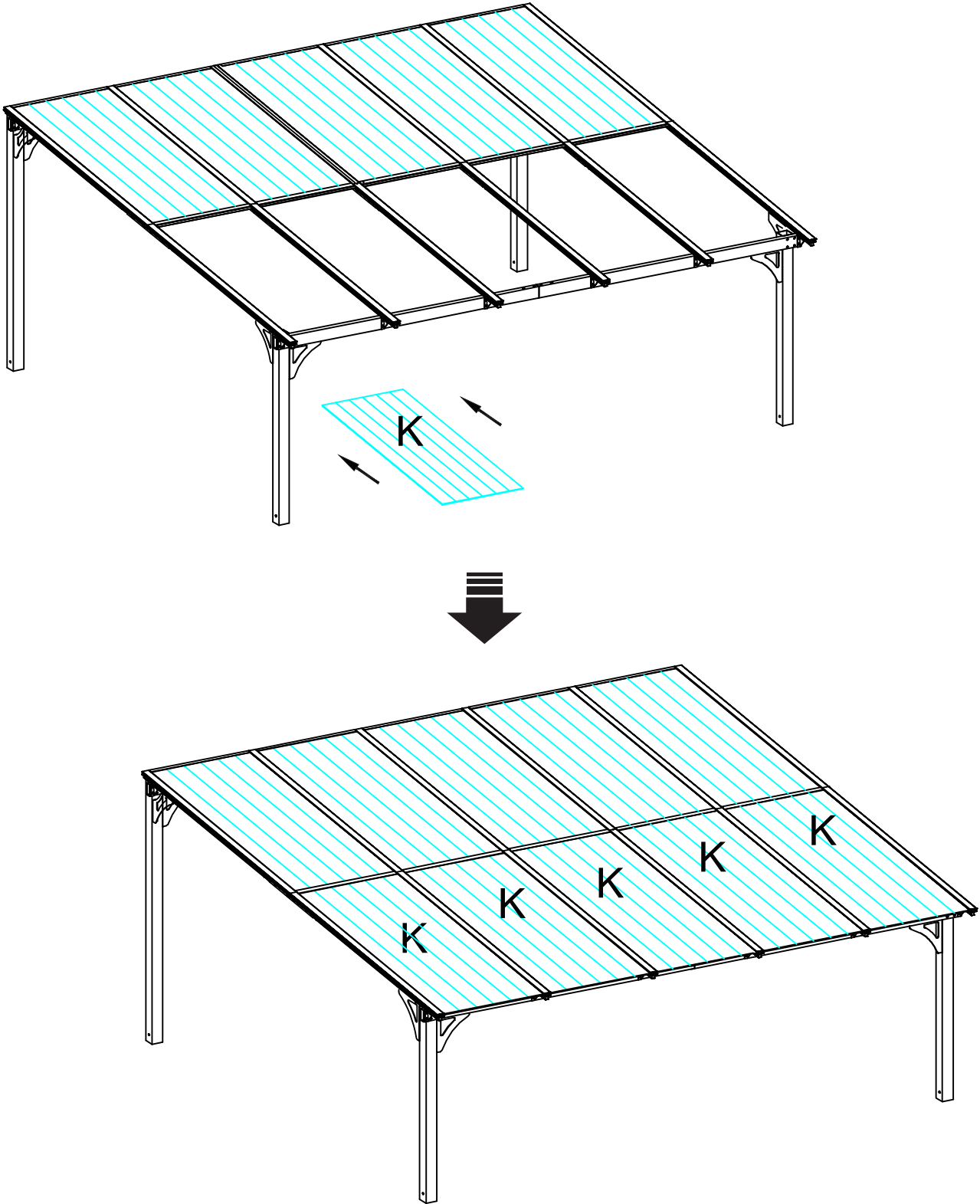


STEP 10

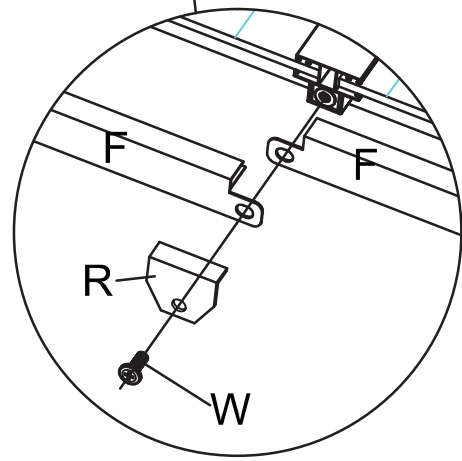
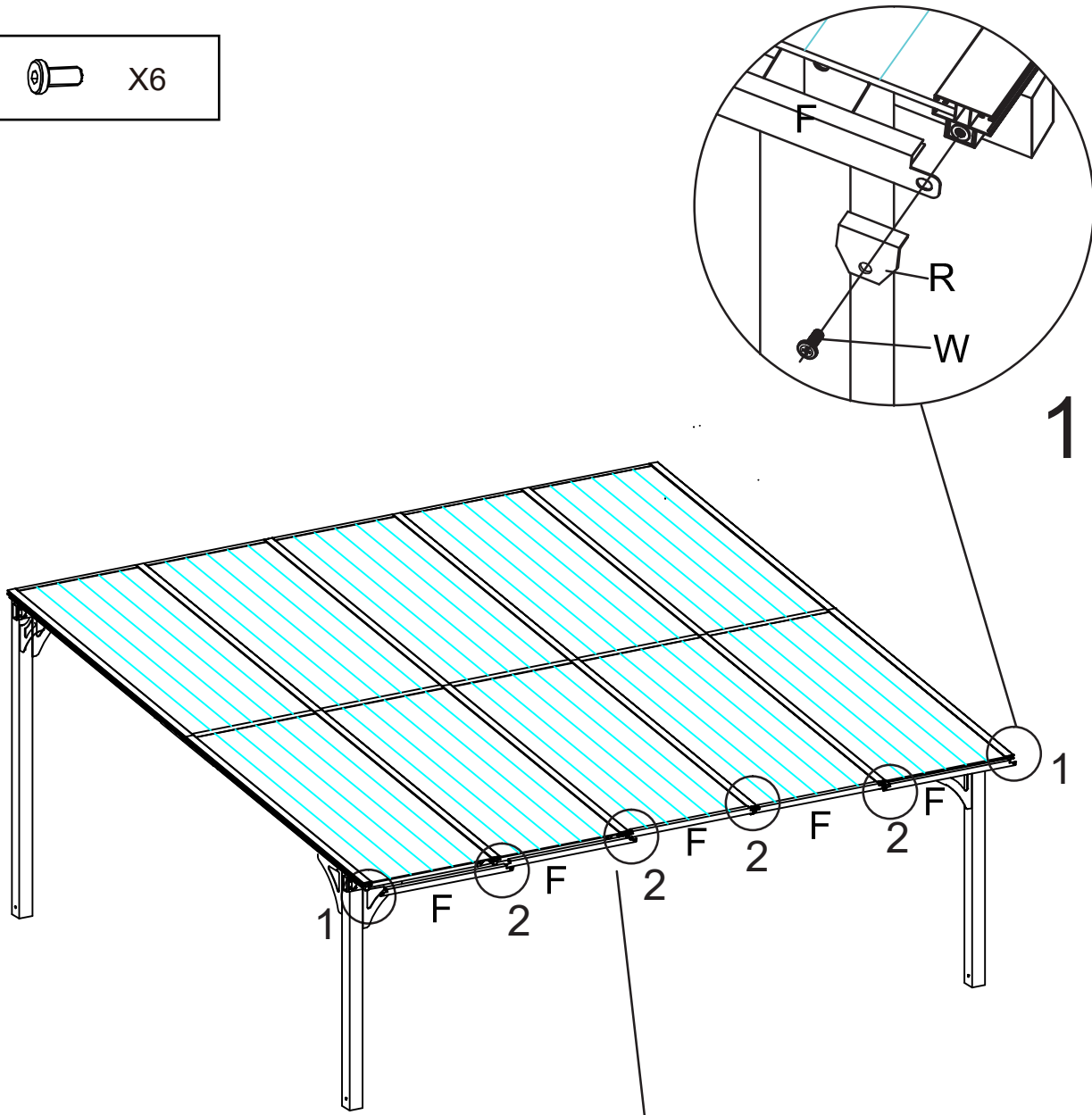
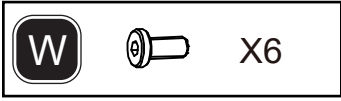


Up the side with  
leaking hole

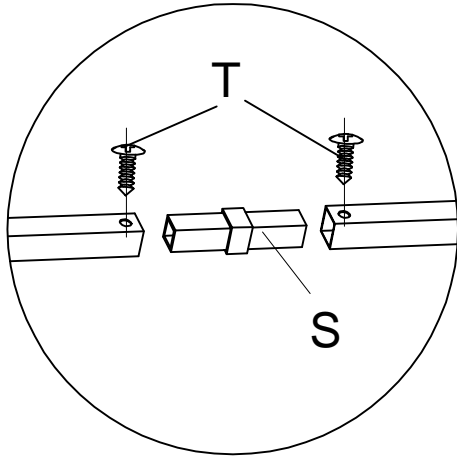
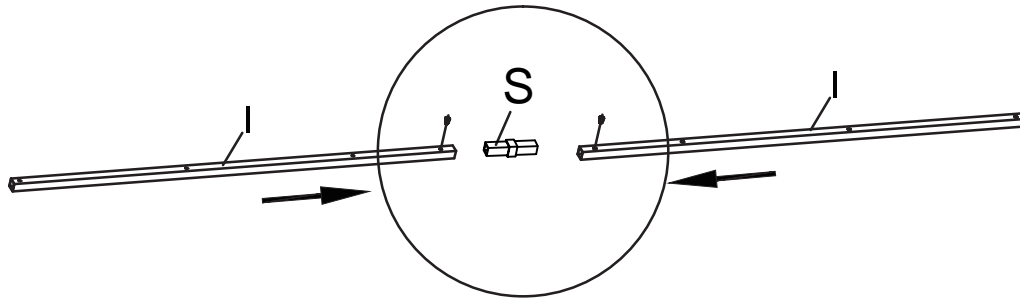
STEP 11

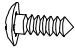



STEP 12

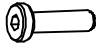


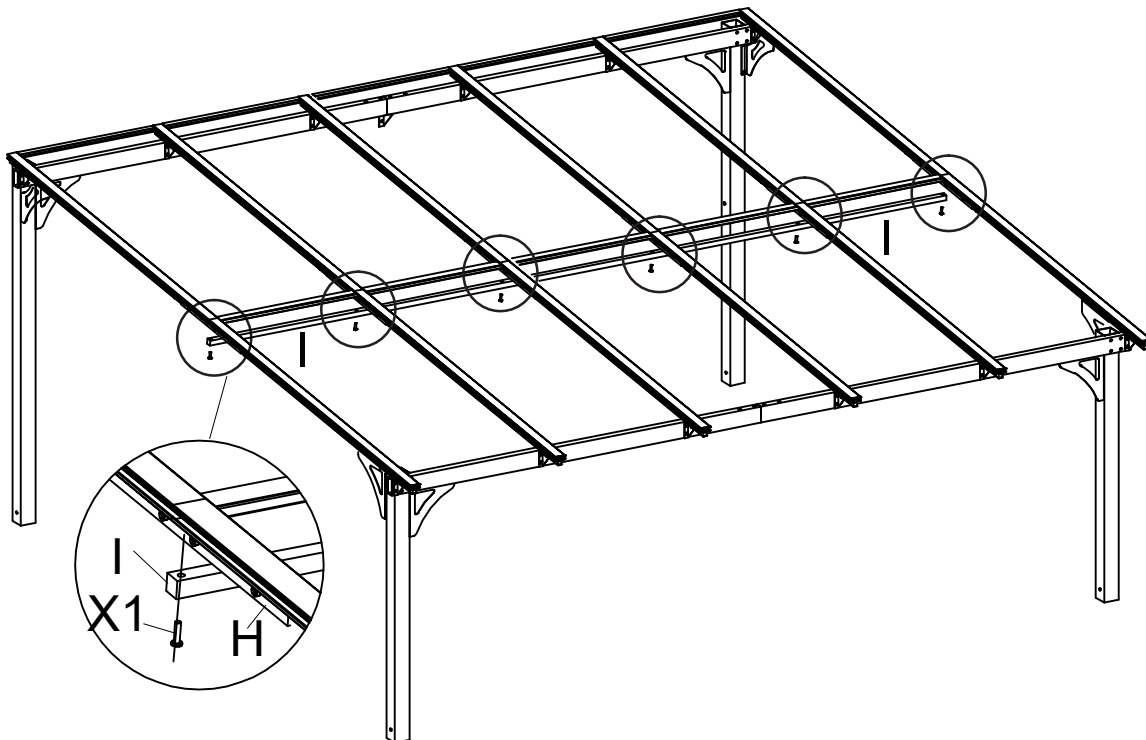
STEP13



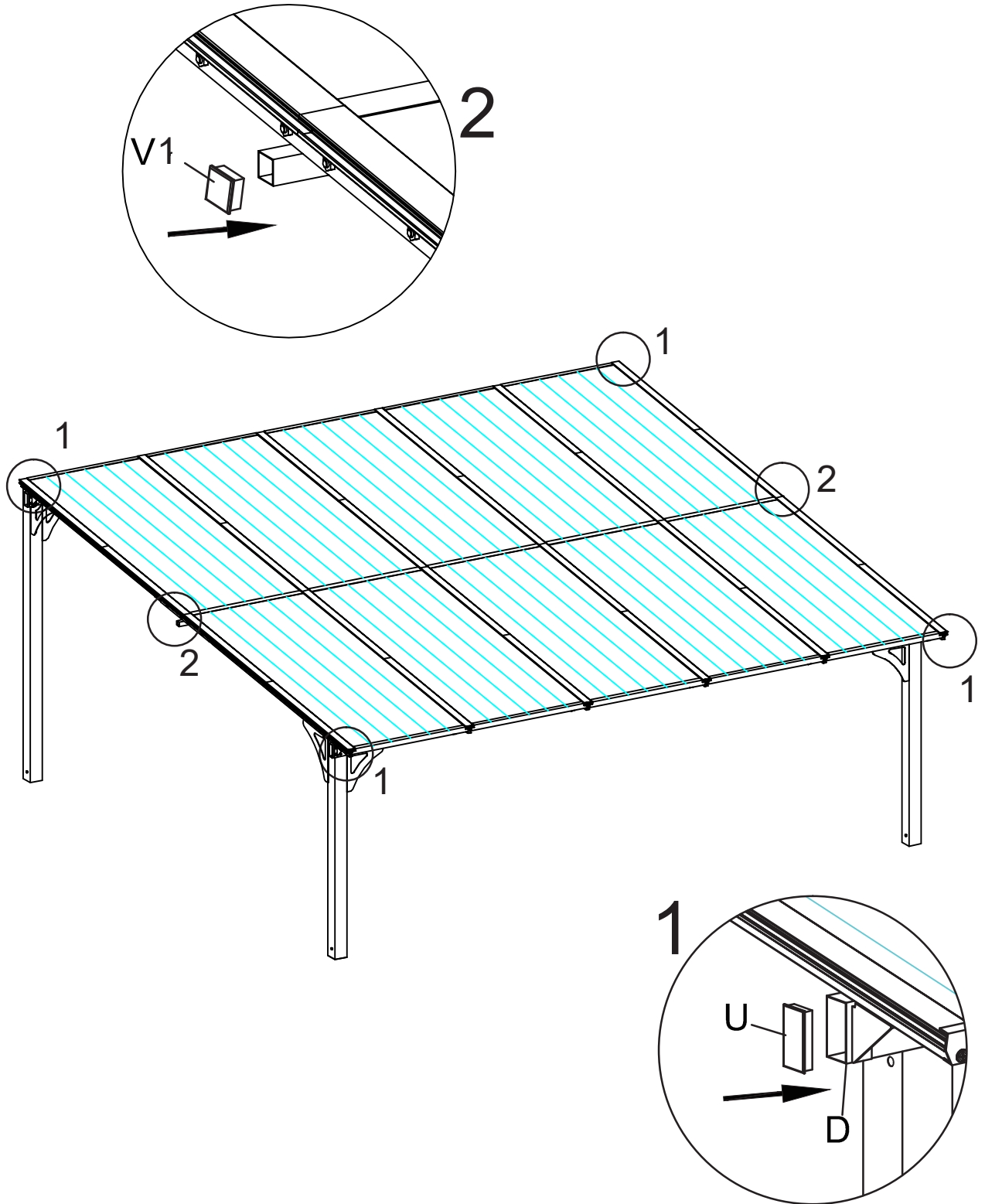
<b>T</b>		X2
<b>S</b>		X1

STEP14

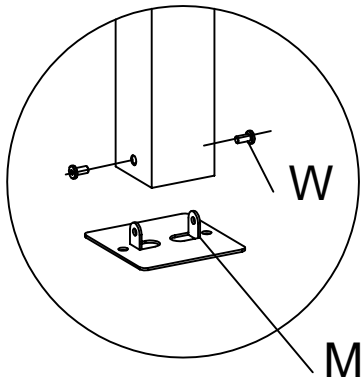
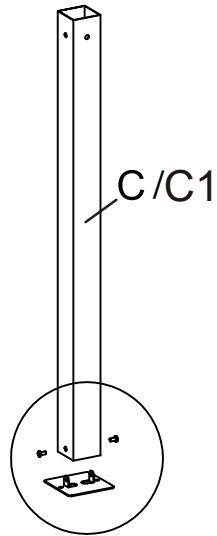
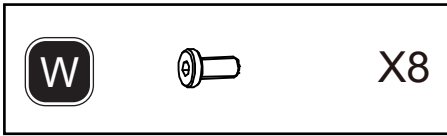
<b>X1</b>		X6
-----------	---	----



STEP 15

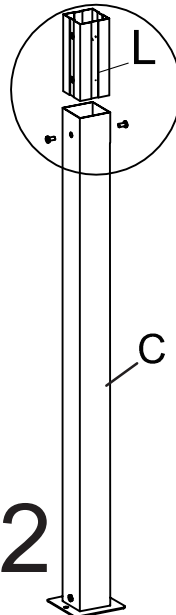
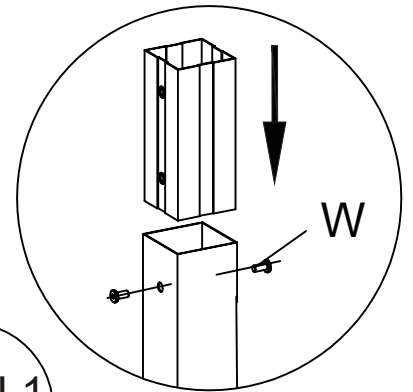
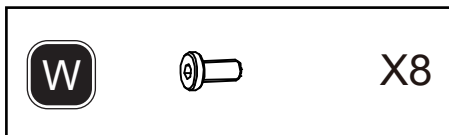


STEP16

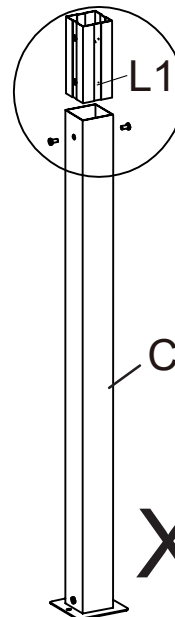


X4

STEP17

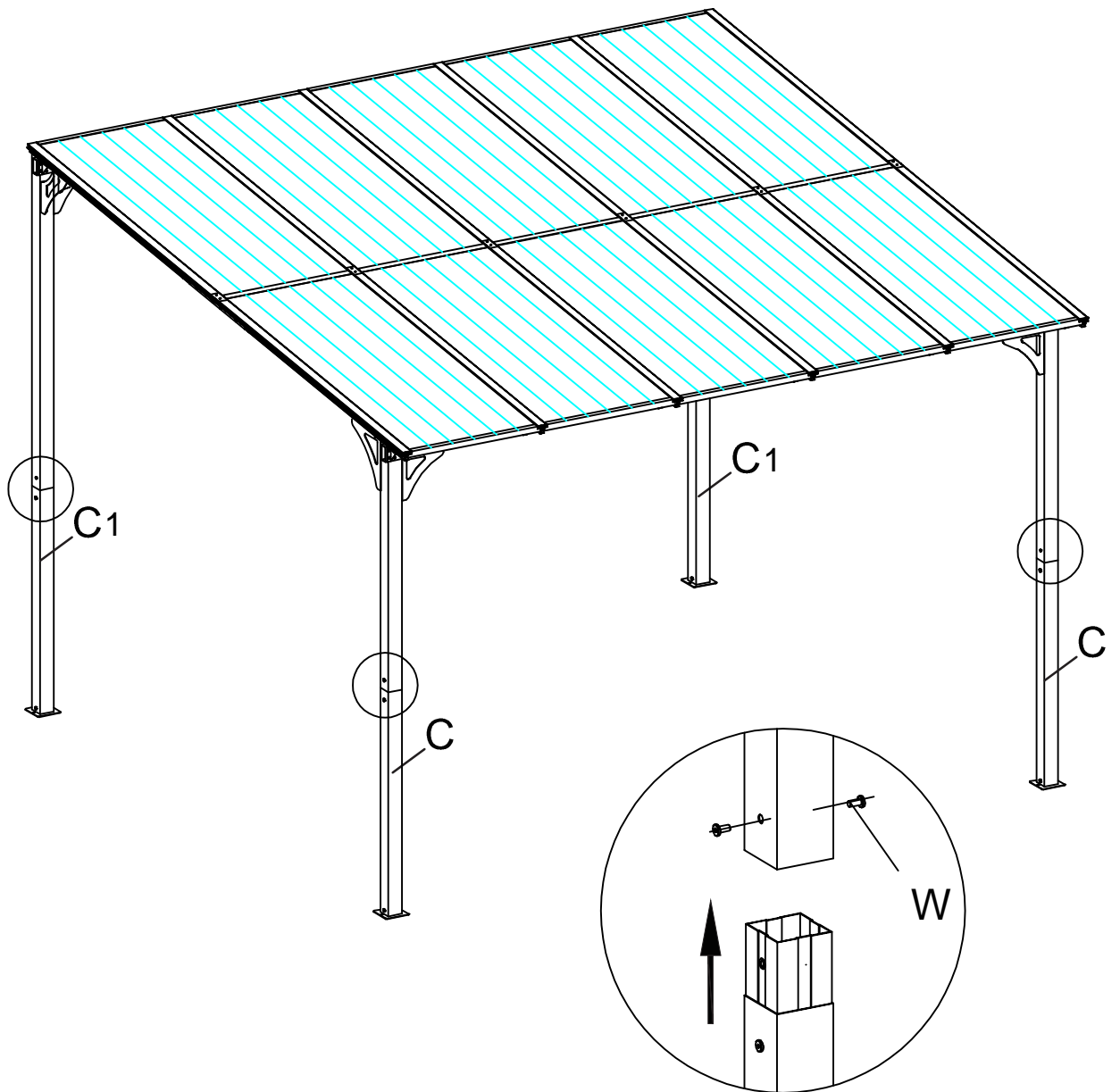
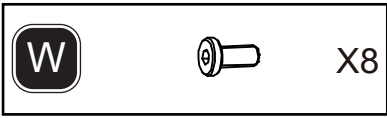


X2

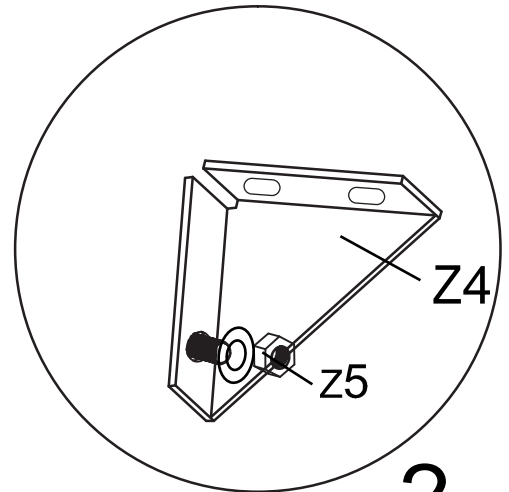
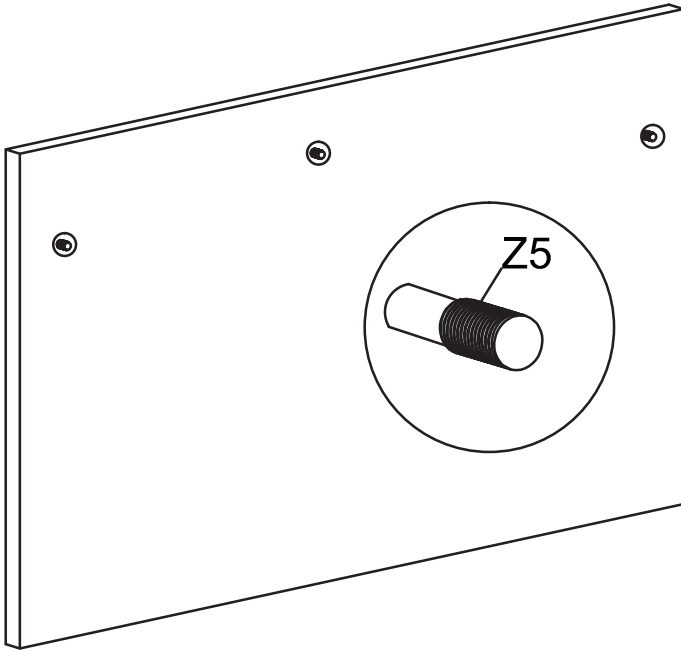
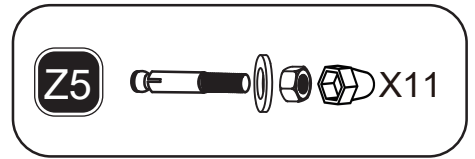


X2

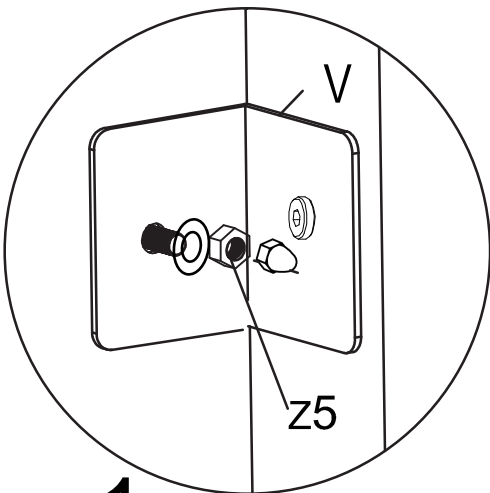
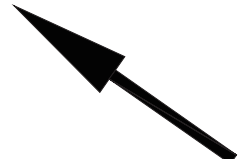
STEP18



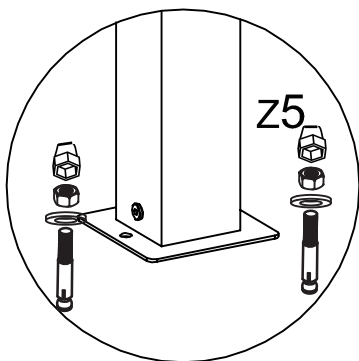
STEP 19



2



1



3

