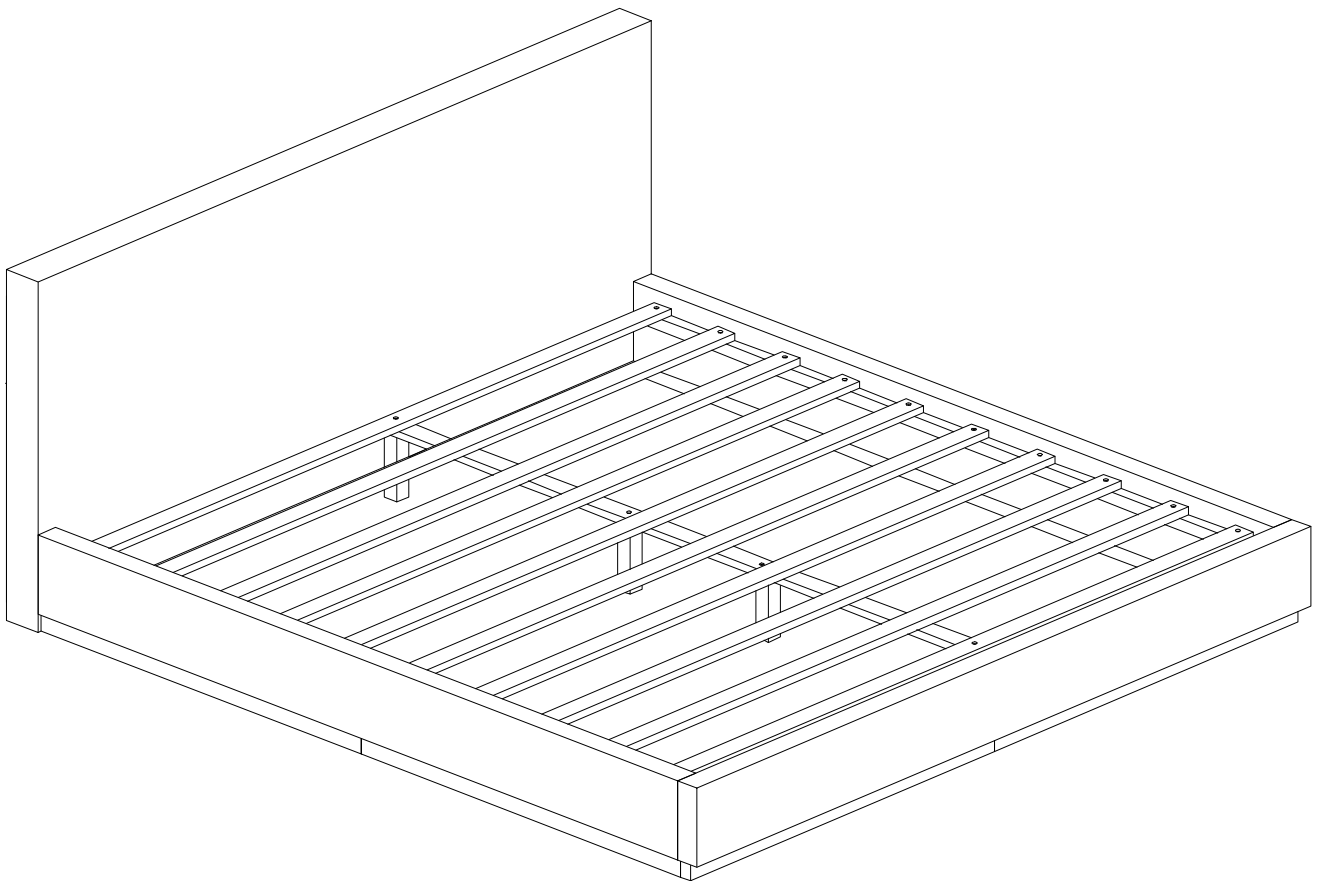
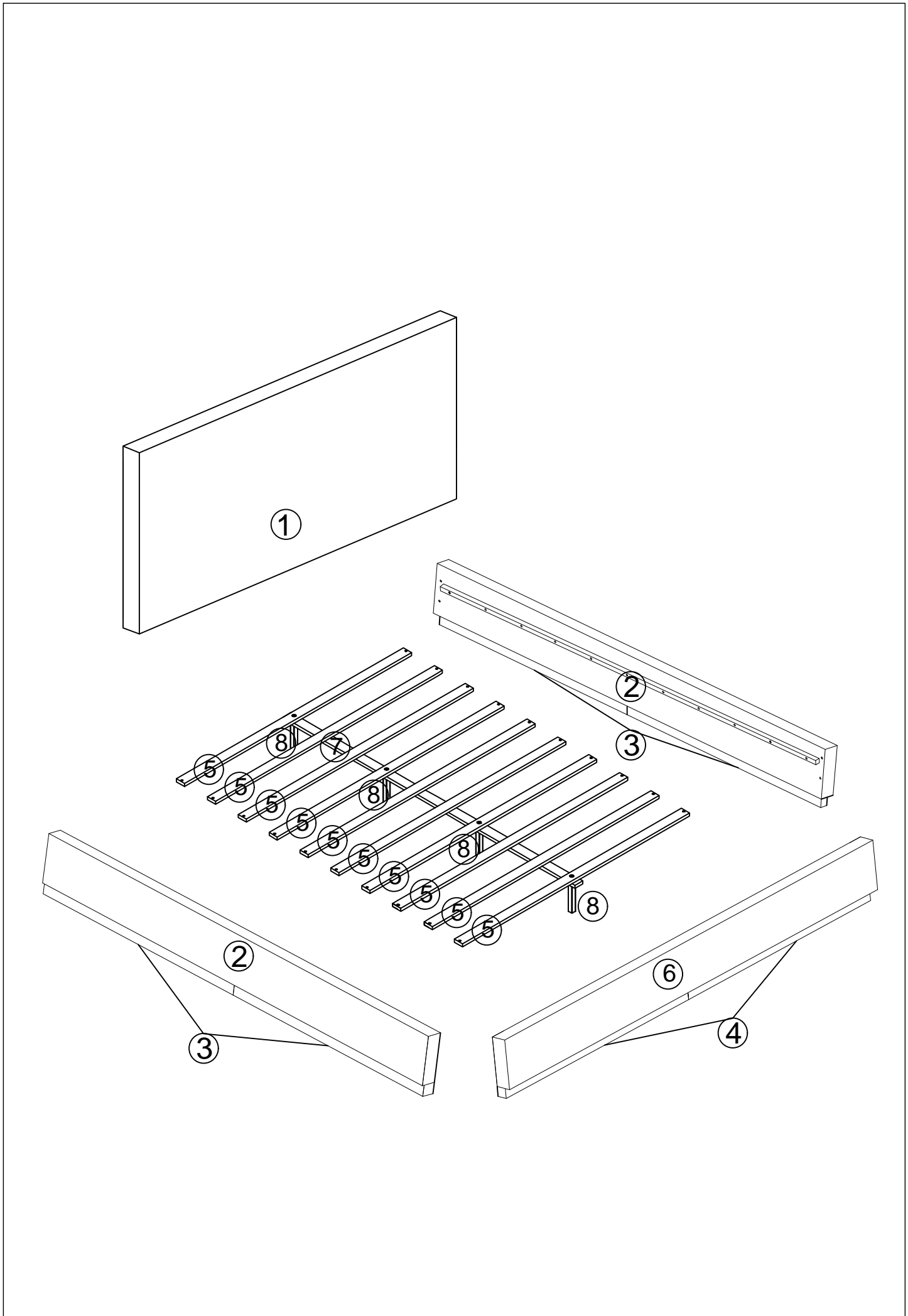


N769P277994W
N769P277995W



ASSEMBLY INSTRUCTIONS



PARTS

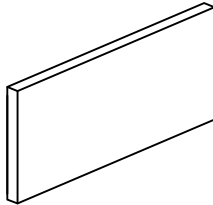
N769P277994W

N769P277995W

BOX:1/2

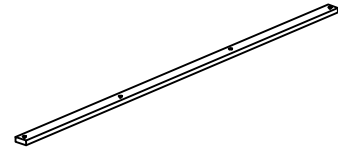
check that you've received all parts
listed below

① (1PC)



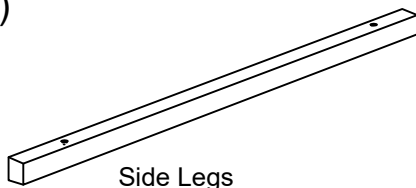
Head Board

⑤ (10PCS)



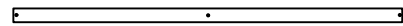
Slats

③ (4PCS)



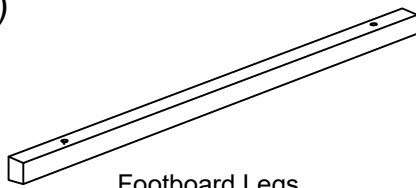
Side Legs

⑦ (1PC)



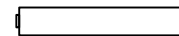
Central Slats

④ (2PCS)



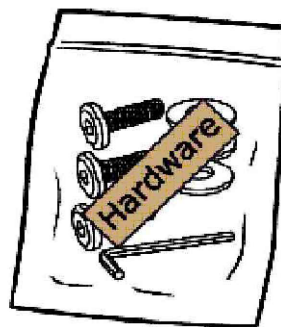
Footboard Legs

⑧ (4PCS)



Support Legs

HARDWARE



PARTS

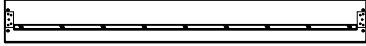
N769P277994W

N769P277995W

BOX:2/2

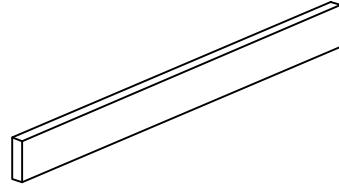
check that you've received all parts
listed below

② (2PCS)



Side Rails

⑥ (1PC)

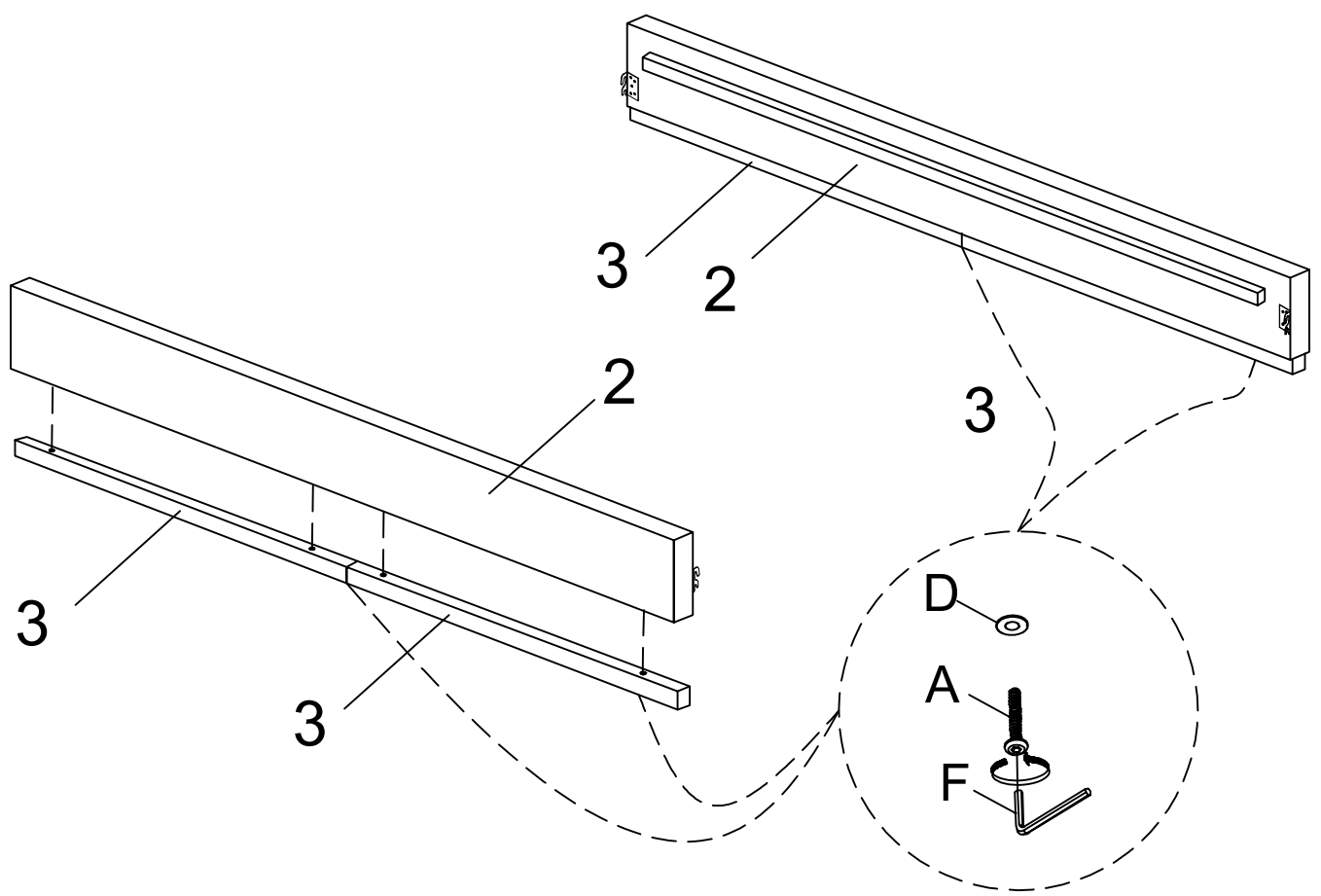


Footboard

HARDWARE LIST

NO	OUTLOOK	DESC	QTY
A		Bolts 5/16" 50	16 pcs
B		Bolts 5/16" 0	8 pcs
C		Spring washer 5/16"	8 pcs
D		Flat washer 5/16"	24 pcs
E		Screws 4 0	20 pcs
F		Allen Wrench 4 mm	1 pc

STEP 1



STEP 2

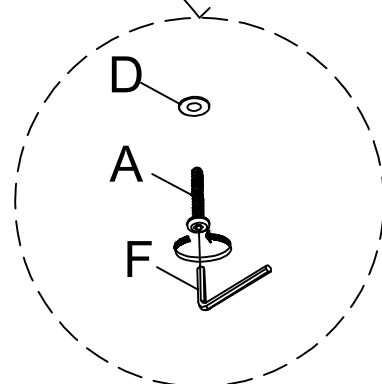
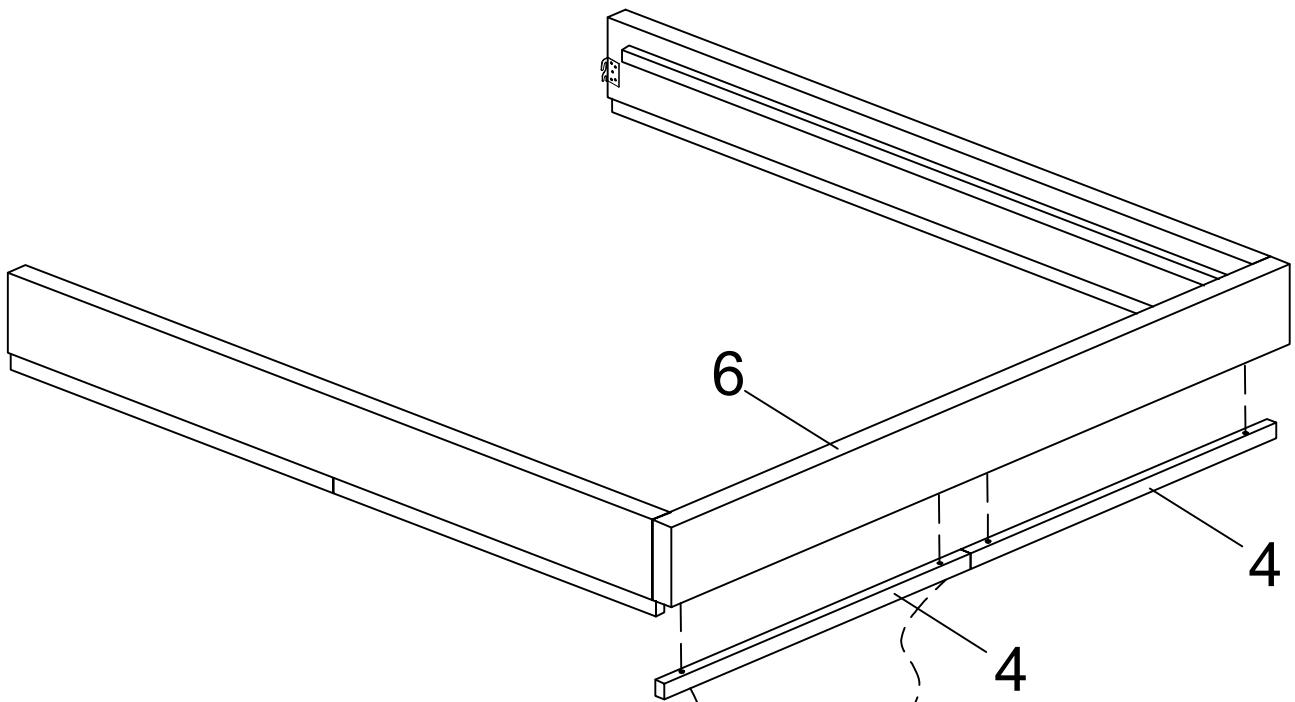
Ax4



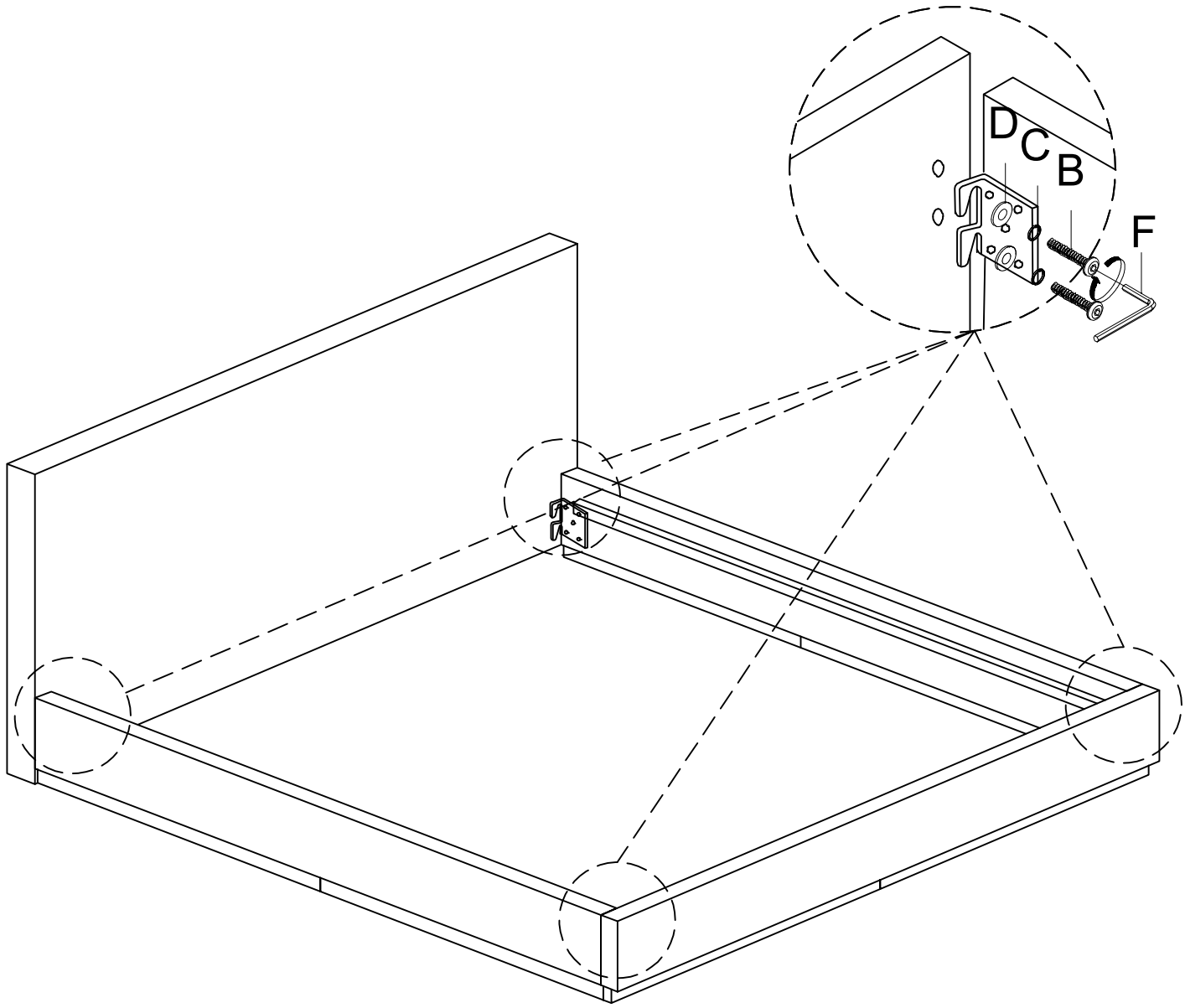
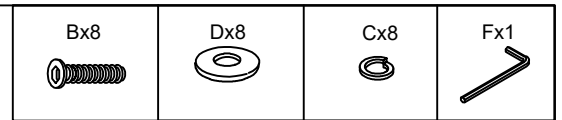
Dx4



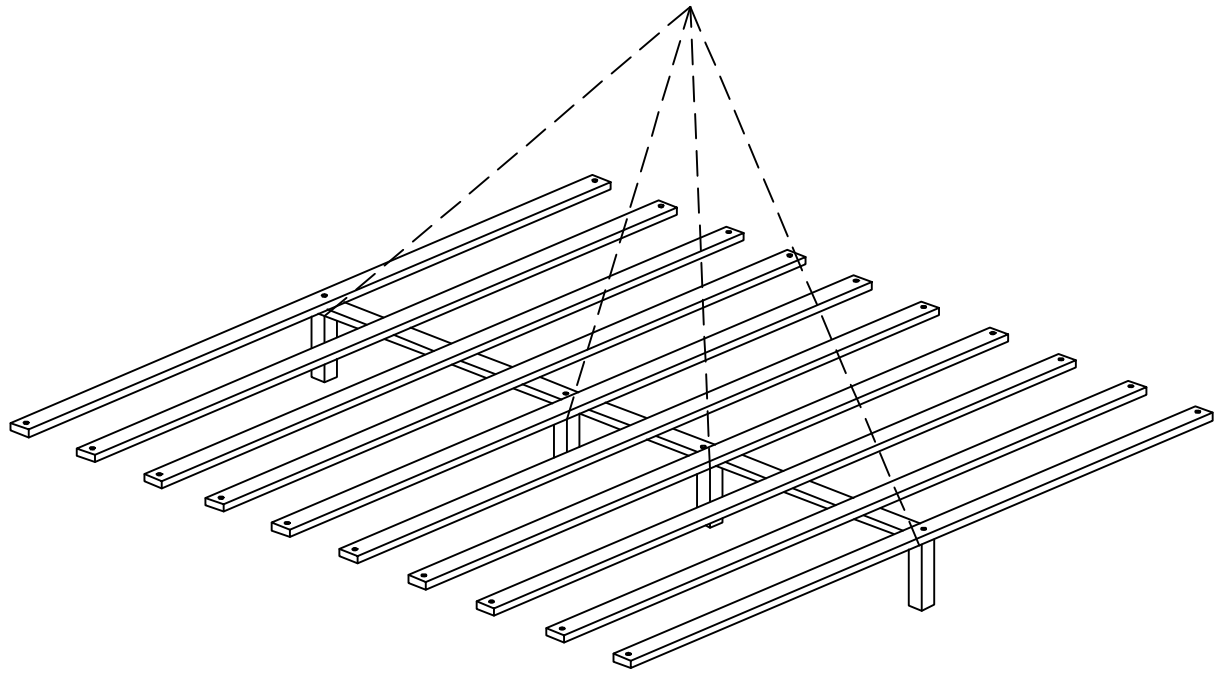
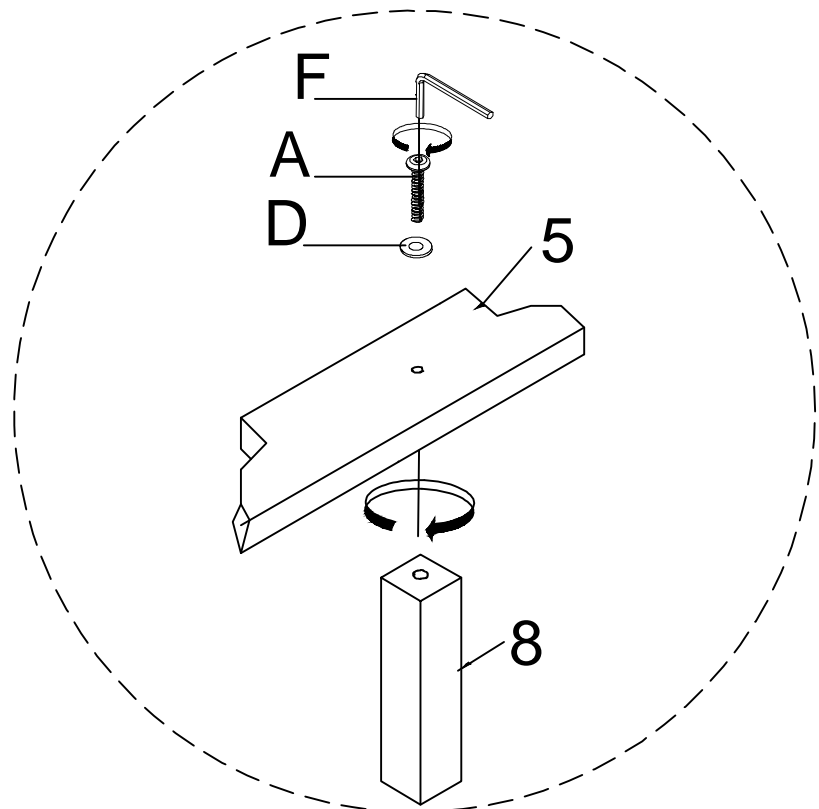
Fx1



STEP 3

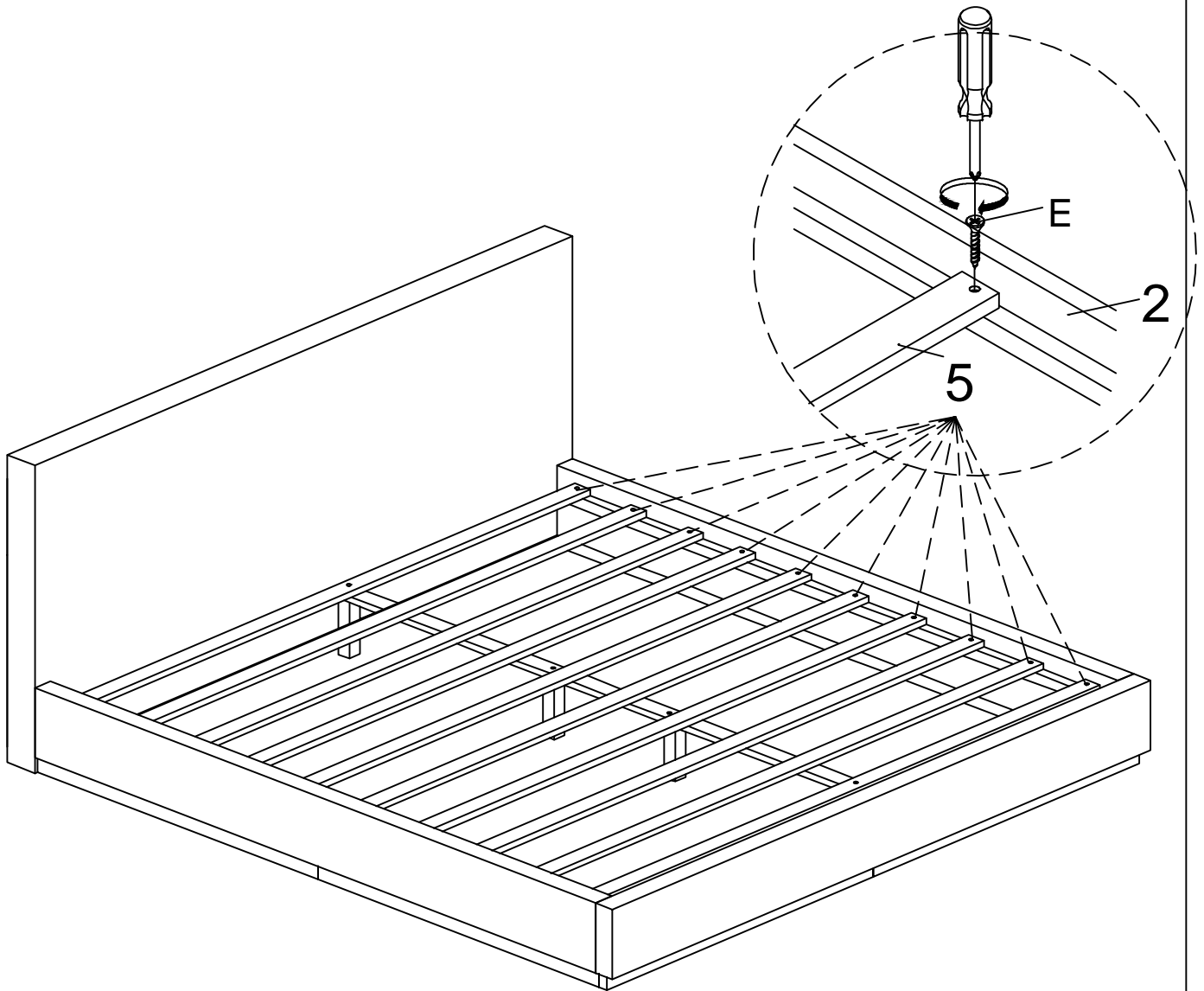
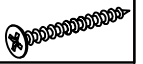


STEP 4



STEP 5

Ex20



Finish

