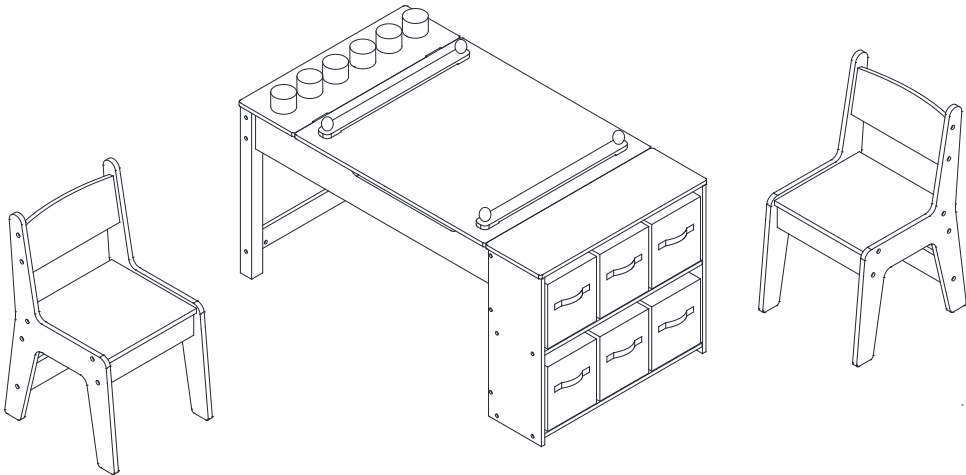


Kids Painting Table and 2 Chairs

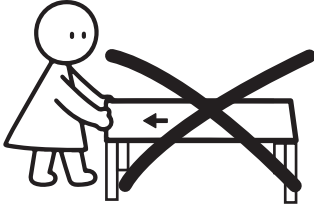




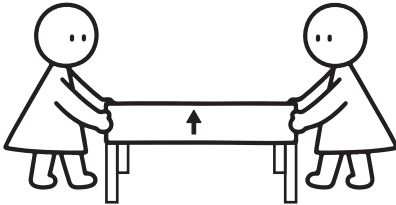
IMPORTANT INFORMATION!

If you encounter any difficulties during installation, please contact our customer service immediately for prompt assistance.

Should any parts be missing, please notify us without delay, and we will promptly provide the required components.

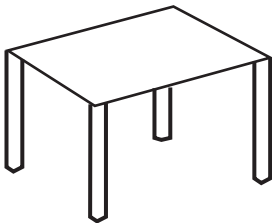


This product requires two persons for assembly and transportation.
To avoid damage, always lift the product together—do not drag it.



WARNING:

Do not allow children to stand, climb, or sit on the tabletop to prevent accidents.



INTRODUCTION

Thank you for choosing the table and chair set for children. The table and chair set specially designed for children's painting can fully support the painting interests and needs of our "little painters". The panel is big enough for writing, reading and drawing. Ergonomic design permeates every detail and the table and chair set is durable. Hope your kids will enjoy it. If you have any questions, please contact us in good time. We will help you within 24 hours.

SPECIFICATION

Color: Gray blue/White gray/Log with white

Material: MDF

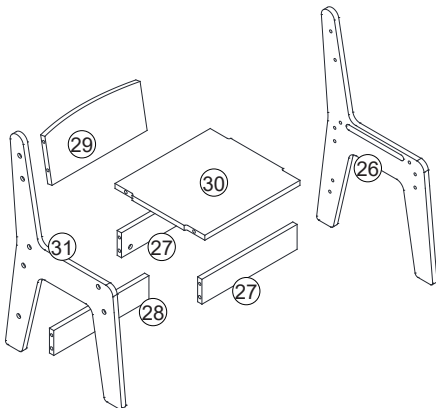
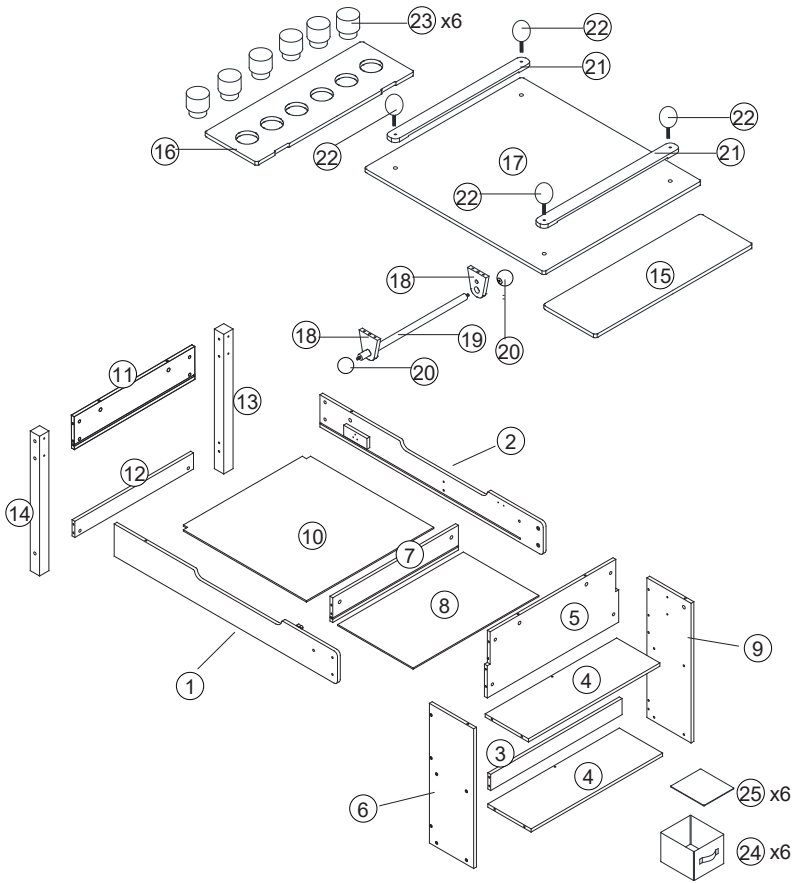
Table size: 109*60*60 cm

Chair size: 32*29*52 cm

Product weight: 24KG

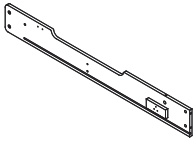
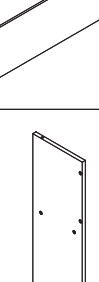


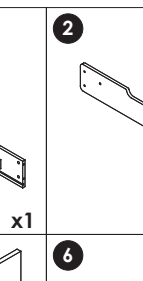
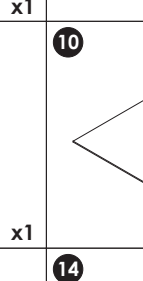


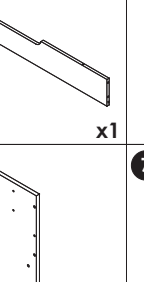
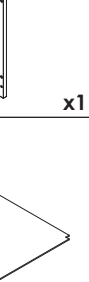
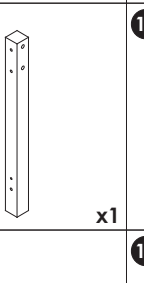
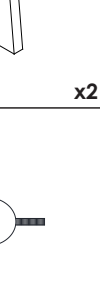
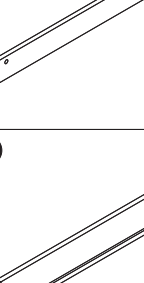
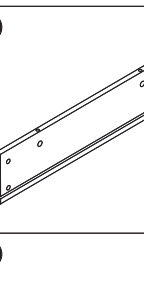
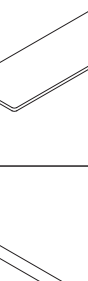

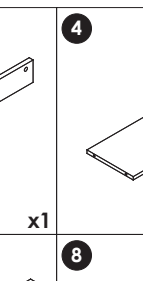
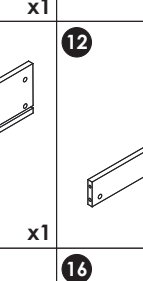
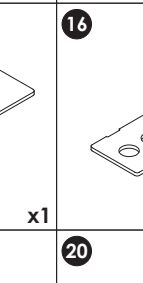
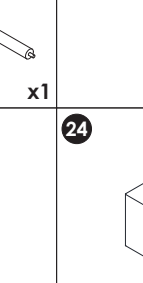
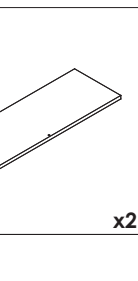
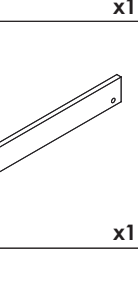

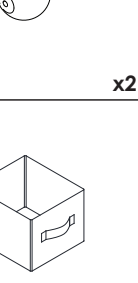
ATTENTION

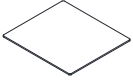
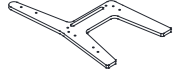



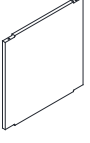

1. All dimensions are measured manually with a deviation of 1 to 3 mm. If this is not the case, we are sorry.
2. Due to the different display and lighting, the pictures and objects will be slightly different.
3. The painting table with compartments is equipped with multiple fabric bags, which can be used to store painting tools such as paints and brushes in different categories.
4. Comes with drawing paper so you can practice drawing at any time. After painting, you can tear it off and pull out the remaining part to paint again, which is clean and convenient.
5. After you finish drawing, you can gently wipe the entire tabletop with a damp cloth to keep it clean.











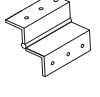







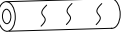



X2

Package includes

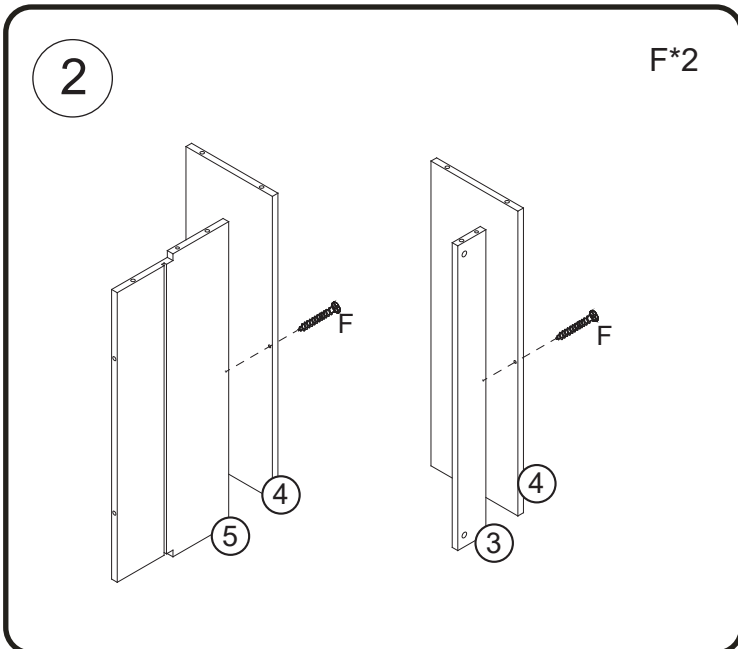
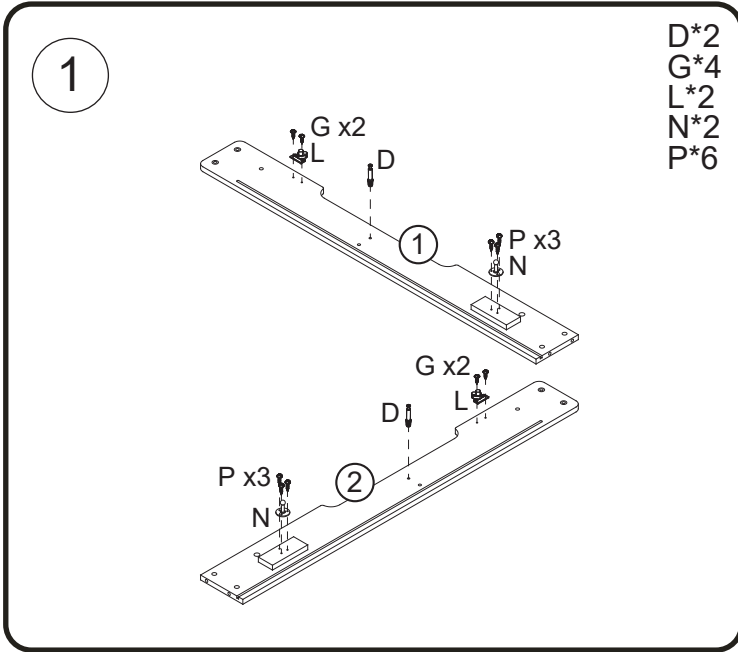
 <p>1</p> <p>x1</p>	 <p>2</p> <p>x1</p>	 <p>3</p> <p>x1</p>	 <p>4</p> <p>x2</p>
 <p>5</p> <p>x1</p>	 <p>6</p> <p>x1</p>	 <p>7</p> <p>x1</p>	 <p>8</p> <p>x1</p>
 <p>9</p> <p>x1</p>	 <p>10</p> <p>x1</p>	 <p>11</p> <p>x1</p>	 <p>12</p> <p>x1</p>
 <p>13</p> <p>x1</p>	 <p>14</p> <p>x1</p>	 <p>15</p> <p>x1</p>	 <p>16</p> <p>x1</p>
 <p>17</p> <p>x1</p>	 <p>18</p> <p>x2</p>	 <p>19</p> <p>x1</p>	 <p>20</p> <p>x2</p>
 <p>21</p> <p>x2</p>	 <p>22</p> <p>x4</p>	 <p>23</p> <p>x6</p>	 <p>24</p> <p>x6</p>

<p>25</p>  <p>x6</p>	<p>26</p>  <p>x2</p>	<p>27</p>  <p>x4</p>	<p>28</p>  <p>x2</p>
<p>29</p>  <p>x2</p>	<p>30</p>  <p>x2</p>	<p>31</p>  <p>x2</p>	

Package includes

<p>A M6*40mm</p>  <p>x40</p>	<p>B Ø10*10mm</p>  <p>x52</p>	<p>C Ø6*25mm</p>  <p>x24</p>	<p>D M6*38mm</p>  <p>x12</p>
<p>E Ø12*10mm</p>  <p>x12</p>	<p>F M4*25mm</p>  <p>x2</p>	<p>G M3*12mm</p>  <p>x8</p>	<p>H M4*10mm</p>  <p>x12</p>
<p>I</p>  <p>x2</p>	<p>J M6*80mm</p>  <p>x10</p>	<p>K</p>  <p>x2</p>	<p>L</p>  <p>x2</p>
<p>M</p>  <p>x2</p>	<p>N</p>  <p>x2</p>	<p>O</p>  <p>x2</p>	<p>P M4*20mm</p>  <p>x10</p>
<p>Q</p>  <p>x1</p>	<p>R</p>  <p>Select hole stickers based on the color of panel.</p> <p>x52</p>	<p>S M6*16mm</p>  <p>x4</p>	<p>T M6*60mm</p>  <p>x2</p>

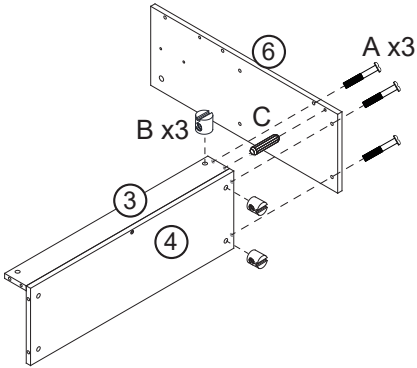
Assembly Steps



Assembly Steps

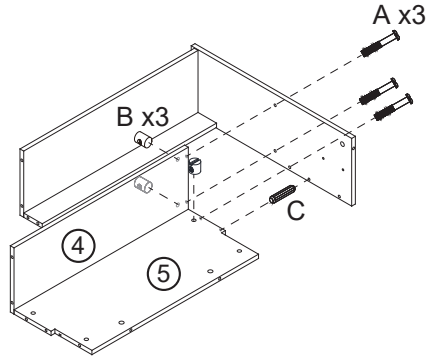
3

A*3
B*3
C*1

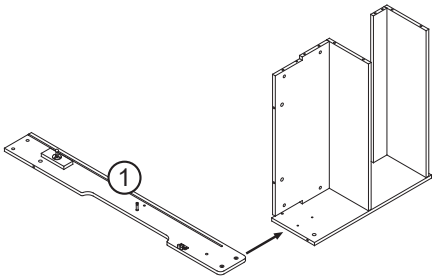


4

A*3
B*3
C*1

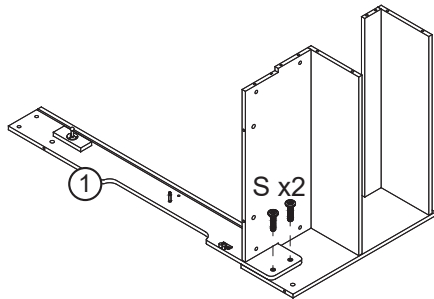


5



6

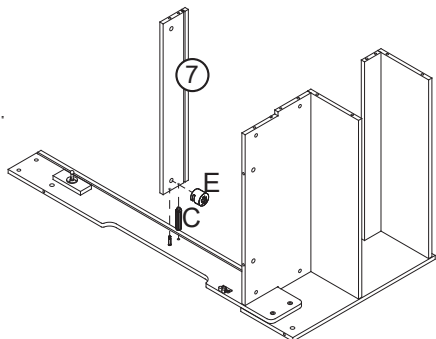
S*2



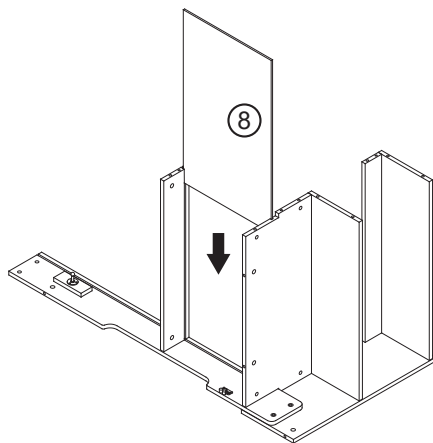
Assembly Steps

7

C*1
E*1

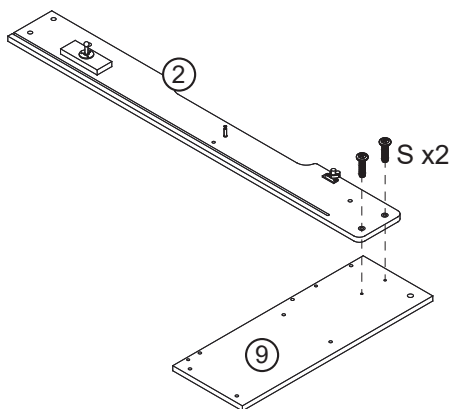


8



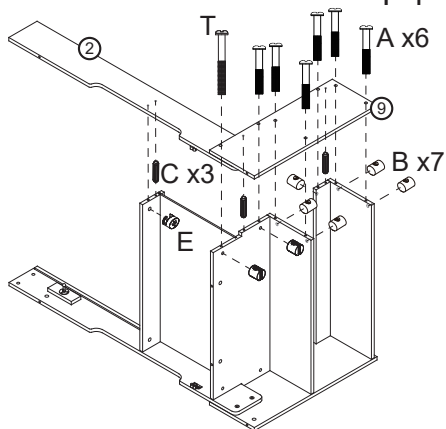
9

S*2



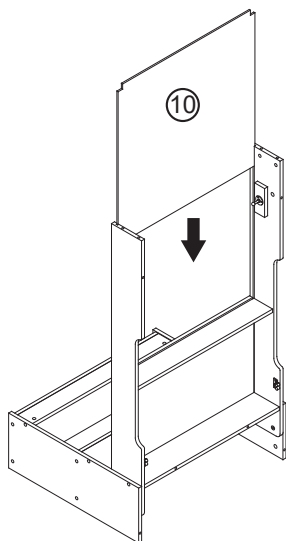
10

A*6
B*7
C*3
E*1
T*1



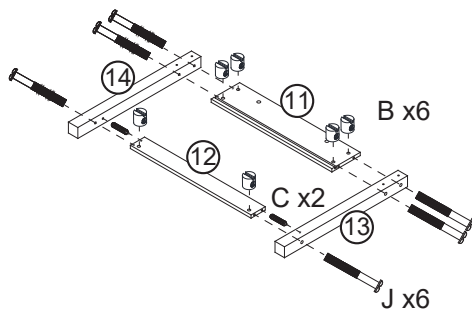
Assembly Steps

11



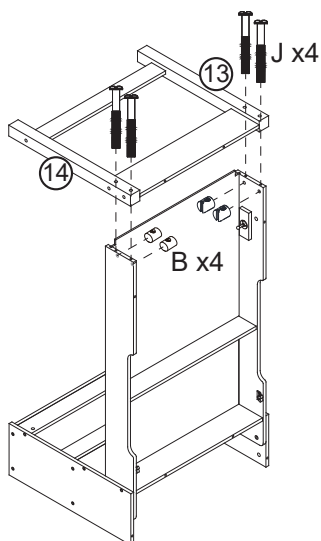
12

B*6
C*2
J*6



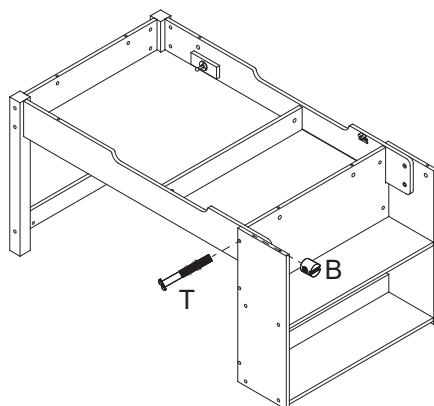
13

B*4
J*4



14

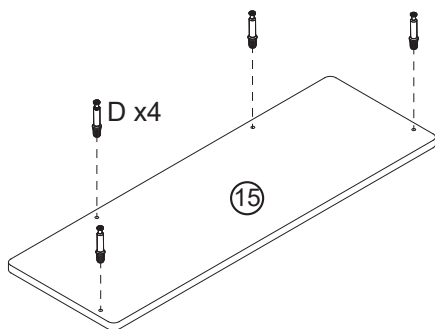
B*1
T*1



Assembly Steps

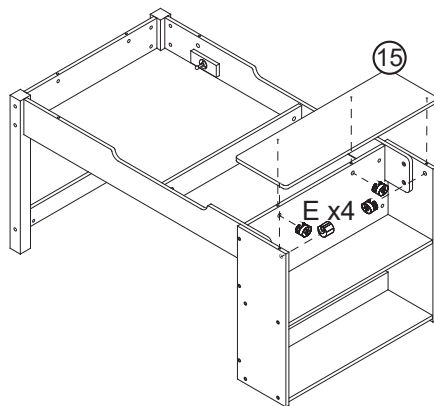
15

D*4



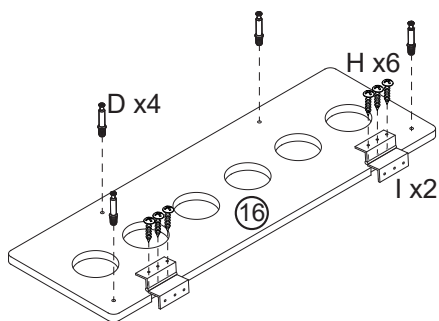
16

E*4



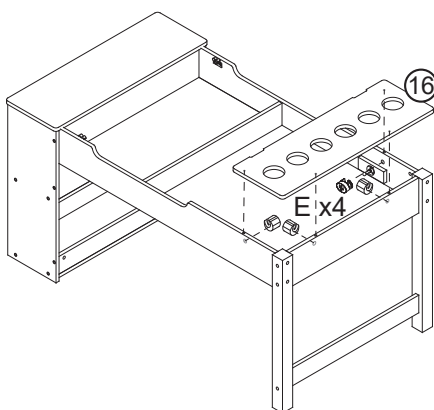
17

D*4
H*6
I*2



18

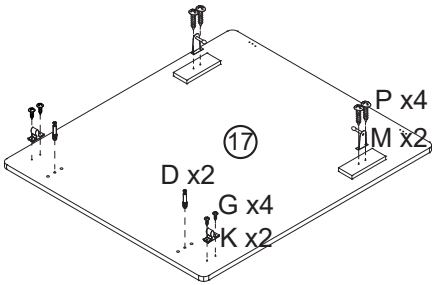
E*4



Assembly Steps

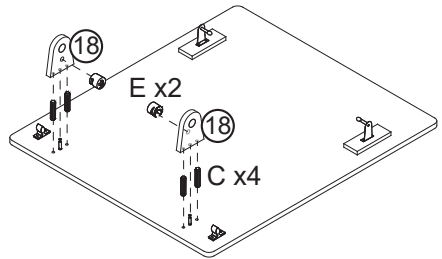
19

D*2
G*4
K*2
M*2
P*4



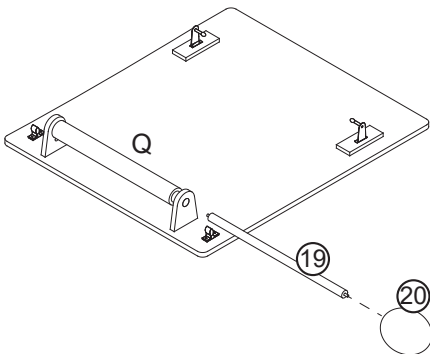
20

C*4
E*2

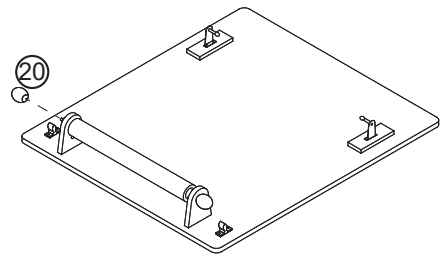


21

Q*1



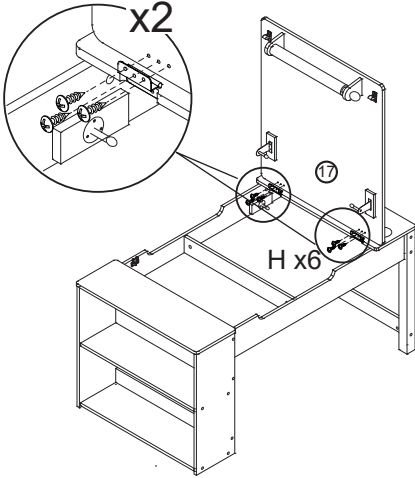
22



Assembly Steps

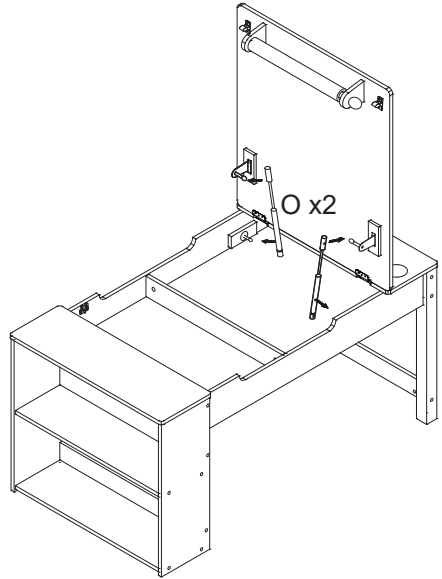
23

H*6

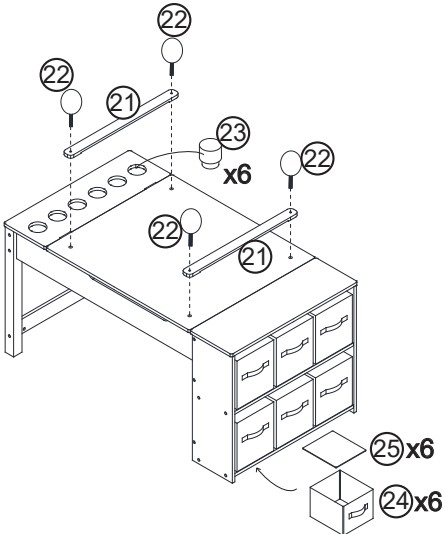


24

O*2

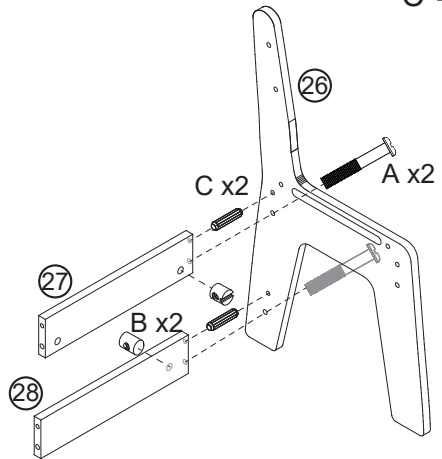


25



26

A*4
B*4
C*4

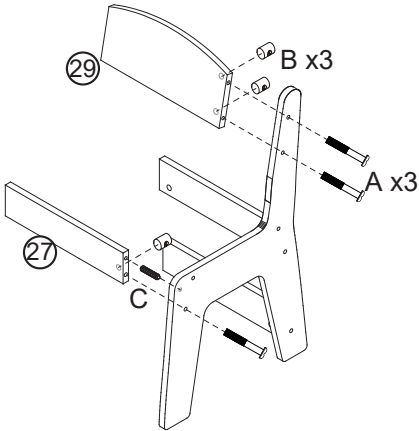


X2

Assembly Steps

27

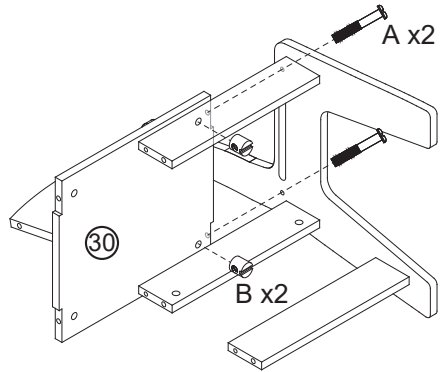
A*6
B*6
C*2



X2

28

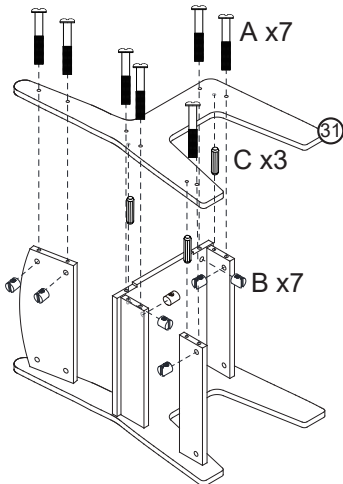
A*4
B*4



X2

29

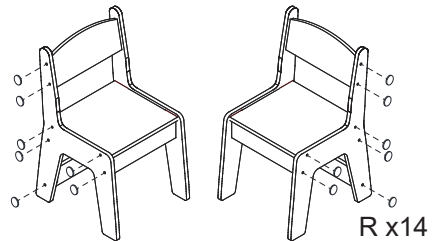
A*14
B*14
C*6



X2

30

R*28

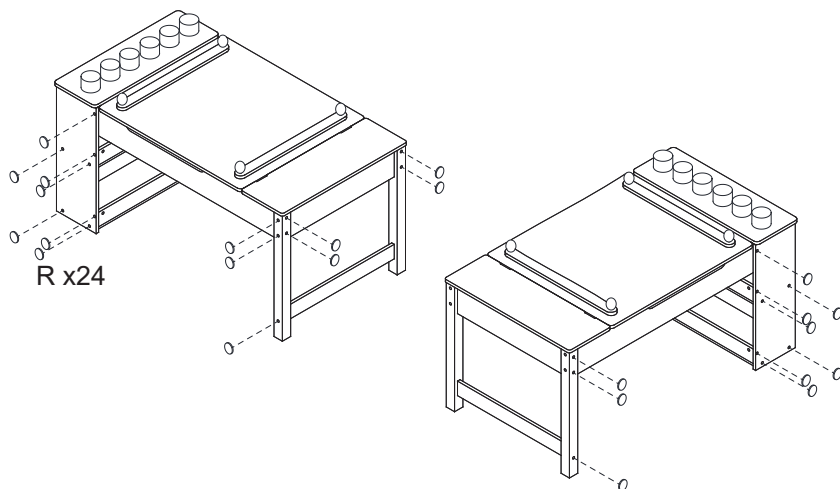


X2

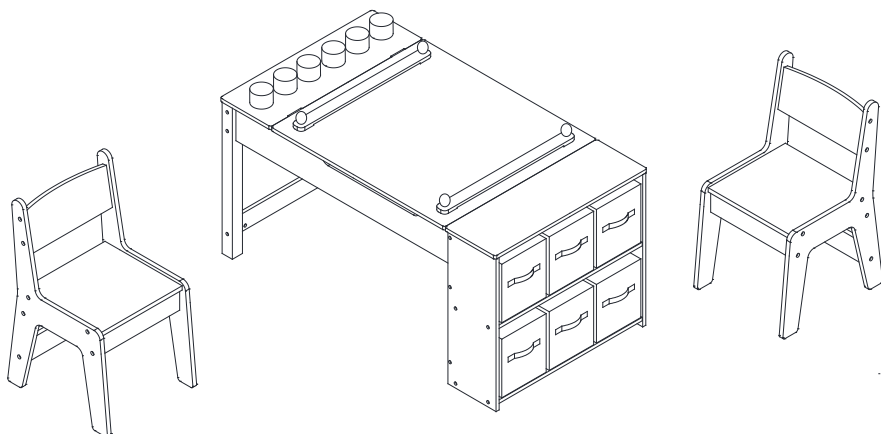
Assembly Steps

31

R*24



32



Relocation or movement must be done in an empty space and requires two people to complete.