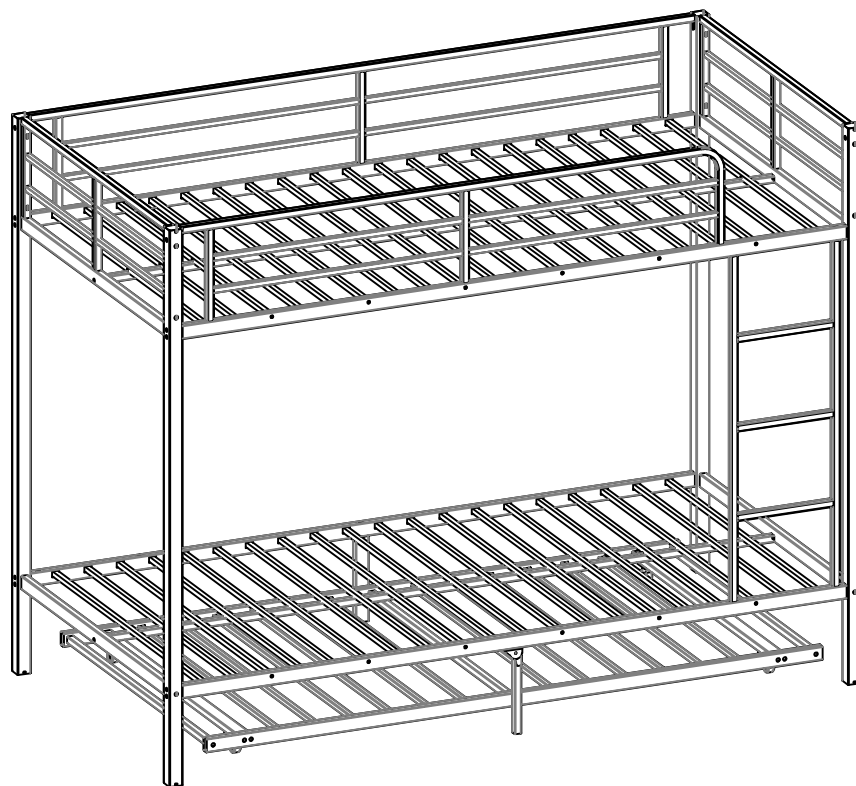


W00173

# BED ASSEMBLY INSTRUCTIONS



## SAFETY WARNINGS AND GENERAL NOTES:

1. Follow the information on the warnings on the bunk bed end structure and on the carton. Do not remove the warning label from the bed.
2. Always use the recommended size mattress on mattress support, or both, to help prevent the likelihood of entrapment or falls.
3. Do not allow children under 6 years of age to use the upper bunk.
4. Periodically check and ensure the guardrail, ladder and other components are in their proper position, free from damage, and all connectors are tight.
5. Do not allow horseplay on or under beds.
6. Always prohibit jumping on the bed.
7. Prohibit more than one person on upper bunk.
8. Always use the ladder for entering and leaving the upper bunk.
9. Do not use substitute parts. Contact the manufacturer or dealer for replacement parts.
10. Use of a night-tight may provide added safety precaution for a child using the upper bunk.
11. Always use guardrails on both long sides of the upper bunk.
12. If the bunk bed will be placed next to a wall, the guardrail that runs the full length of the bed should be placed against the wall to prevent entrapment between the bed and the wall, The use of water or sleep flotation mattresses is prohibited.
13. STRANGULATION HAZARD- Never attach or hang items to any part of the bunk bed that are not designed for use with the bed; for example, but not limited to, hooks, belts and jump ropes.
14. Keep these instructions for future reference.
15. We recommend assembling your bunk bed on the shipping carton to protect your floor or carpet.
16. Be certain all staples are out of the box before beginning assembly on the shipping carton.
17. USE ONLY MATTRESSES WHICH ARE AS THE TABLE BELOW ON UPPER AND ON LOWER BUNKS.

Down bed

Mattress type	Length	Width	Thickness
TWIN XL Standard	79"-80"	38" -39"	8"

Up bed (bunk bed and tribed included)

Mattress type	Length	Width	Thickness
TWIN XL Standard	79"-80"	38" -39"	6"Max

Movable bed support

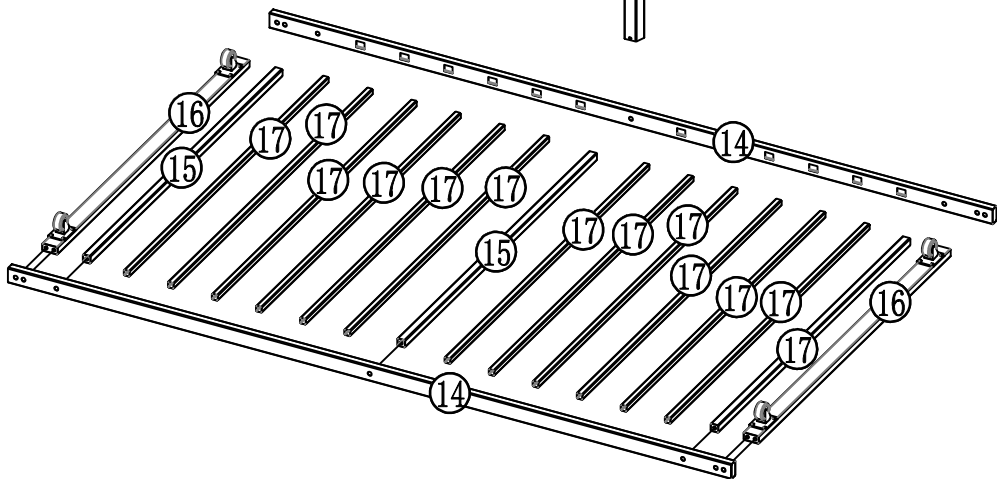
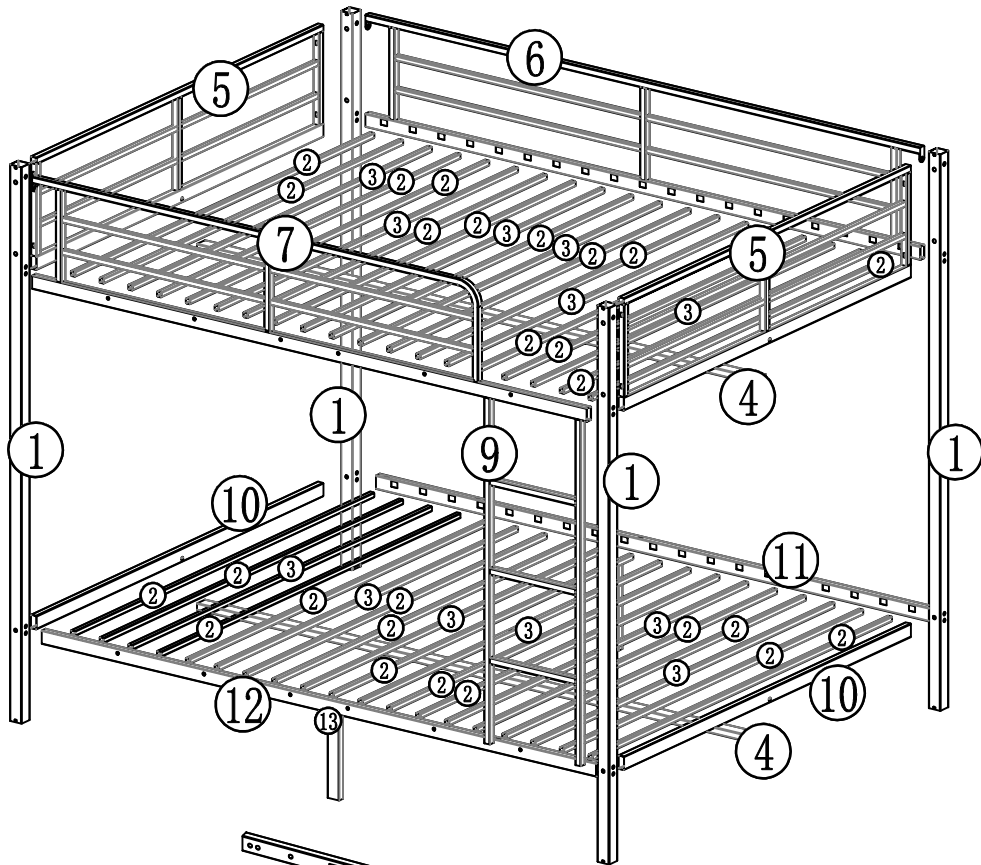
Standard	Length	Width	Thickness
Standard	72"-73"	37" -38"	4"Max

18. SURFACE OF MATTRESS MUST BE AT LEAST 5"(127MM) BELOW THE UPPER EDGE OF GUARDRAILS.

















19. Replacement Parts:

Replacement Parts, including additional guardrails, may be obtained from any of our (Shenzhen Yuefeng Zhiqi Technology Co., Ltd) dealers.






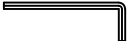





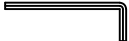
# Bed parts view

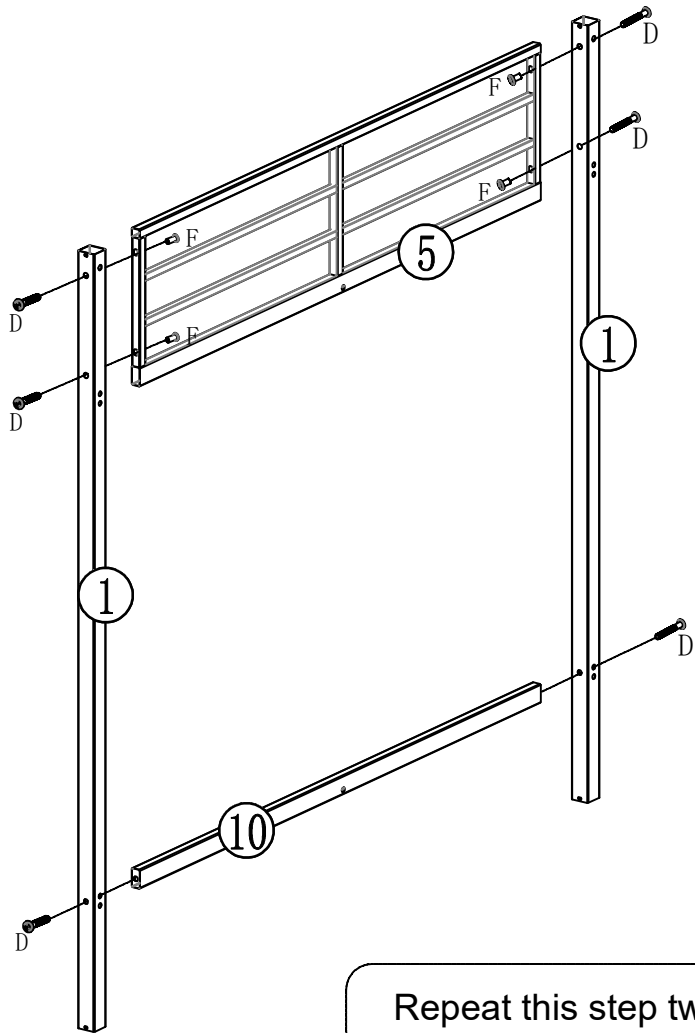


# Part List

			
1-4pcs	2-28pcs	3-12pcs	4-2pcs
			
5-2pcs	6-1pcs	7-1pcs	8-1pcs
			
9-1pcs	10-2pcs	11-1pcs	12-1pcs
			
14-2pcs	15-3pcs	16-2pcs	17-12pcs

# Part List

					
C 8*35 21PCS	D 8*55 33PCS	E 6*25 38PCS	F 8*15 11PCS	Y 6*10 16PCS	L2
					
K 104PCS	with brake 2 PCS	without brake 2 PCS	T-4PCS	U-2PCS	L1

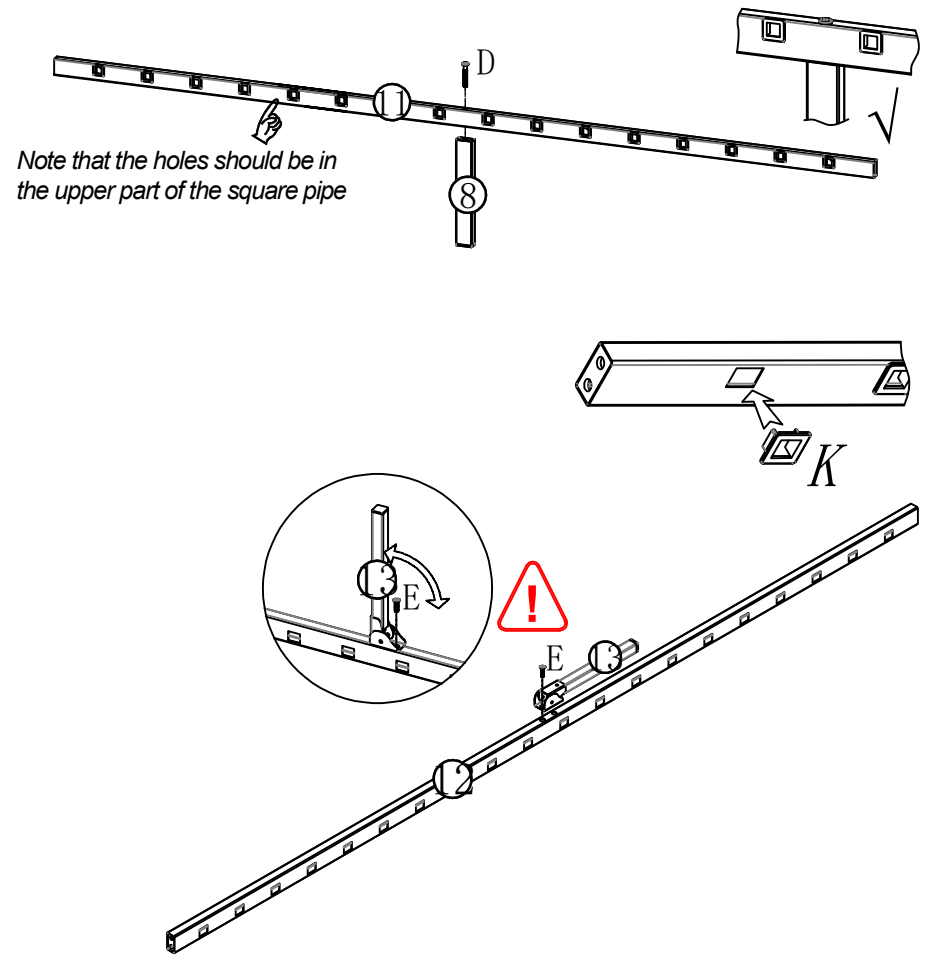


Repeat this step twice.

**D**  
8\*55  
12PCS

**F**  
8\*15  
8PCS

**L**

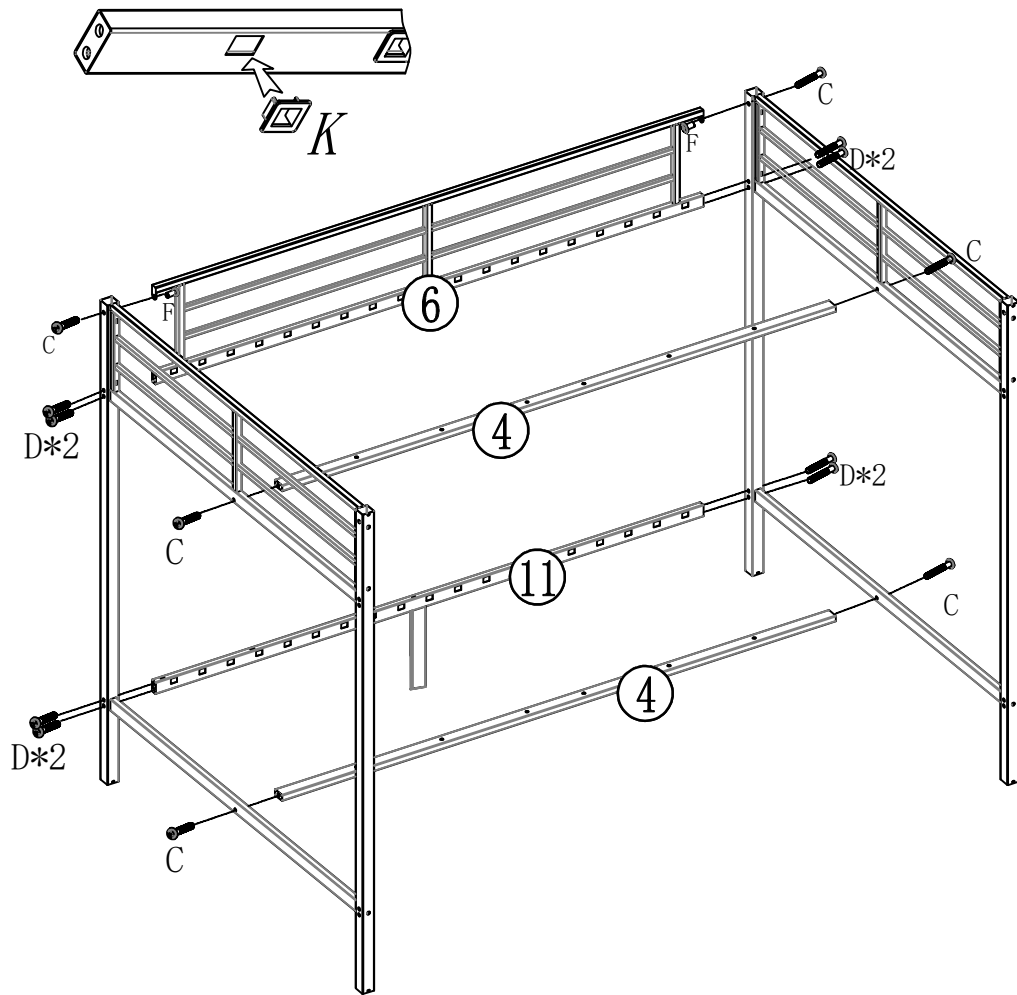


Note that the holes should be in the upper part of the square pipe

**D**  
8\*55  
1PCS

**E**  
6\*25  
2PCS

**K**  
40PCS



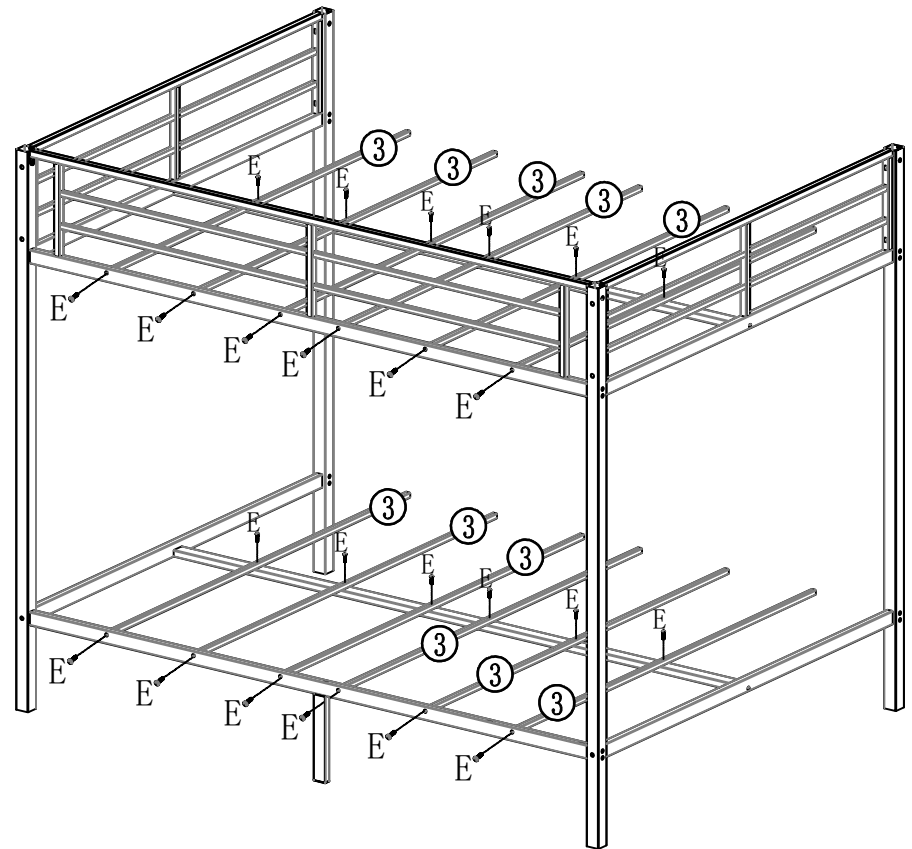
**D**  
8\*55  
8PCS

**F**  
8\*15  
2PCS

**K**  
20PCS

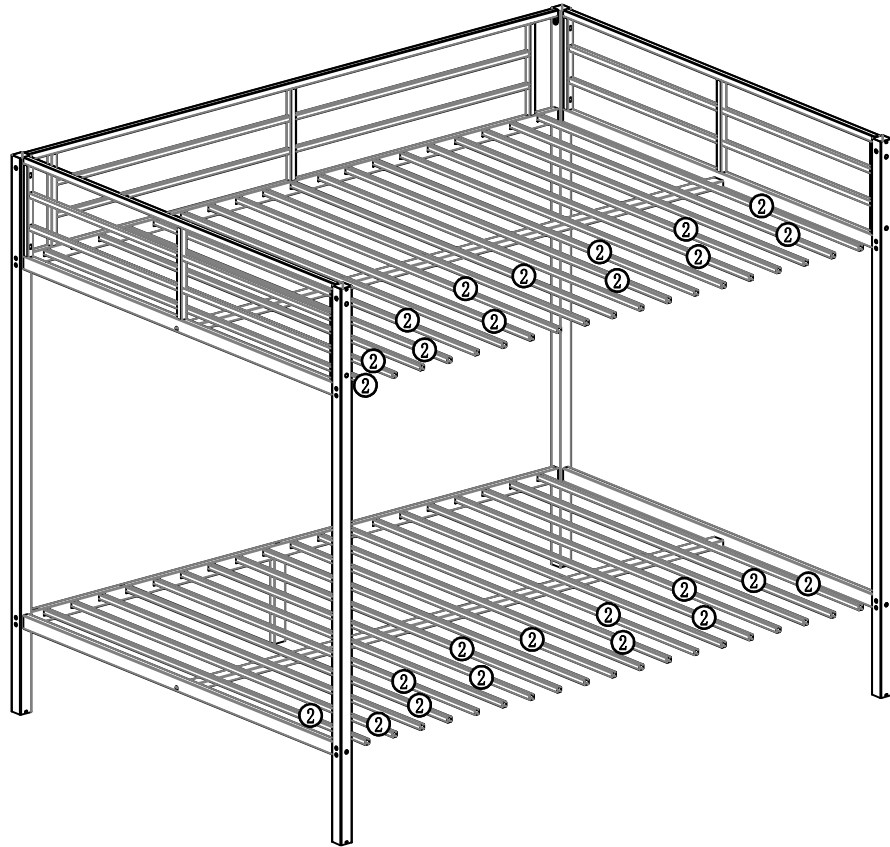
**C**  
8\*15  
6PCS

**L**

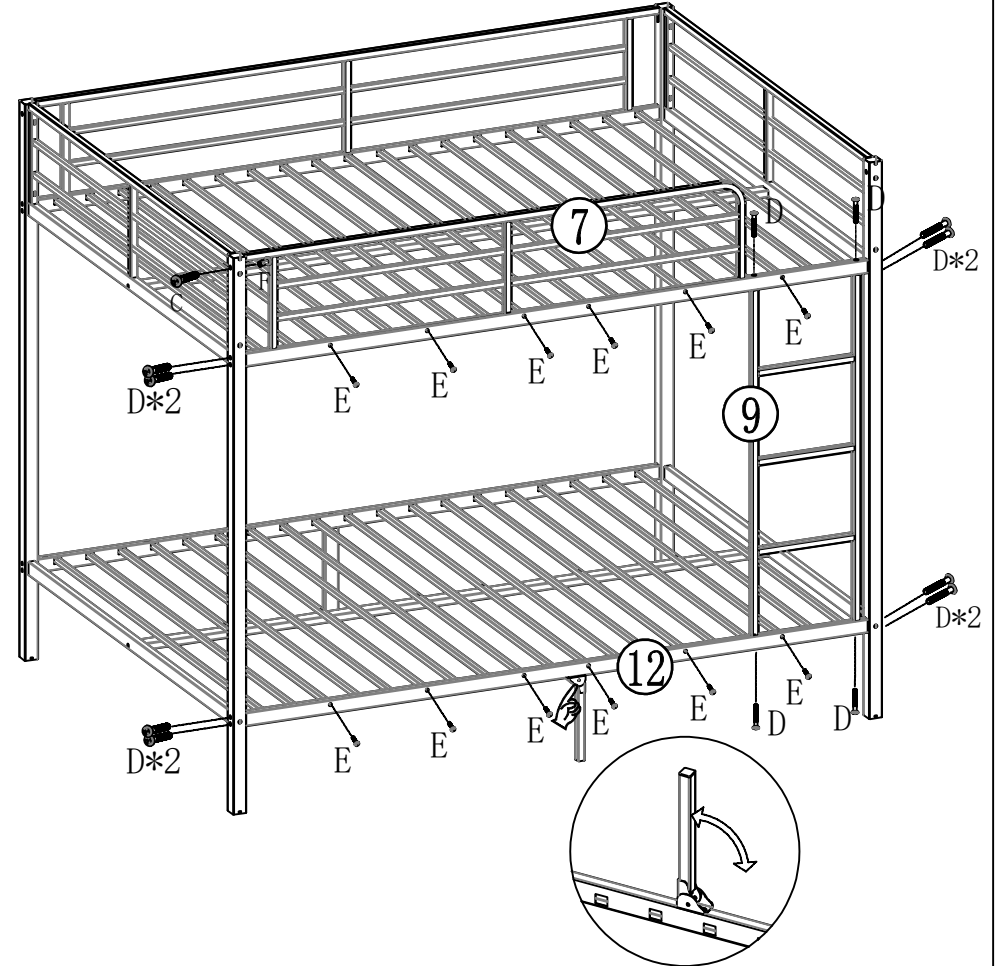
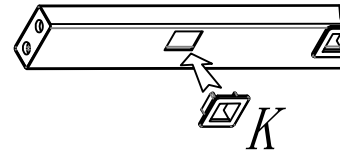


**E**  
6\*25  
24PCS

**L**



2-28pcs



D  
8\*55  
12PCS



F  
8\*15  
1PCS



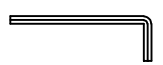
K  
20PCS



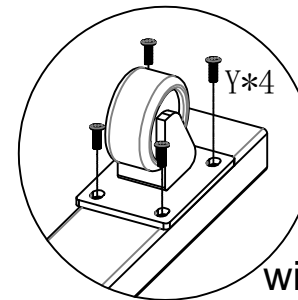
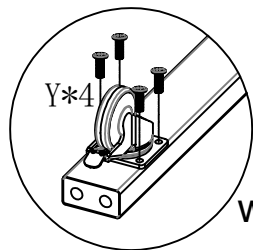
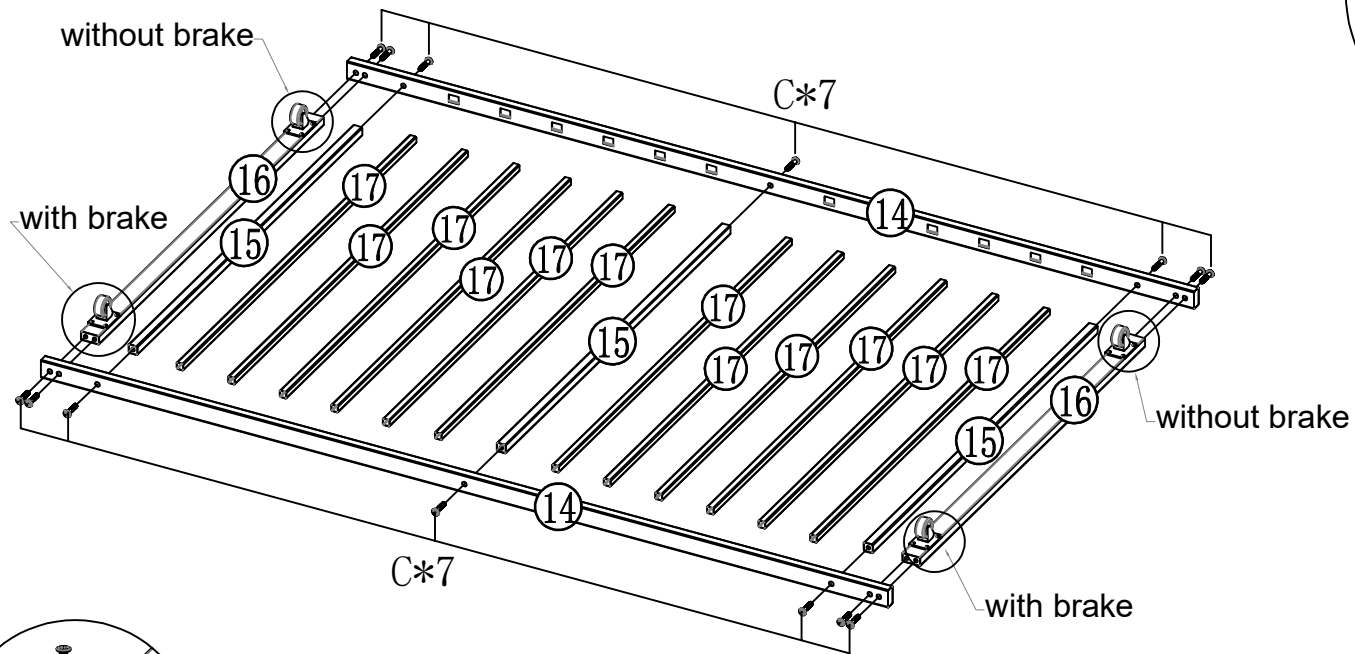
E  
6\*25  
12PCS





C  
8\*15  
1PCS



L




  
 C  
 8\*35-14PCS

  
 Y  
 6\*10-16PCS

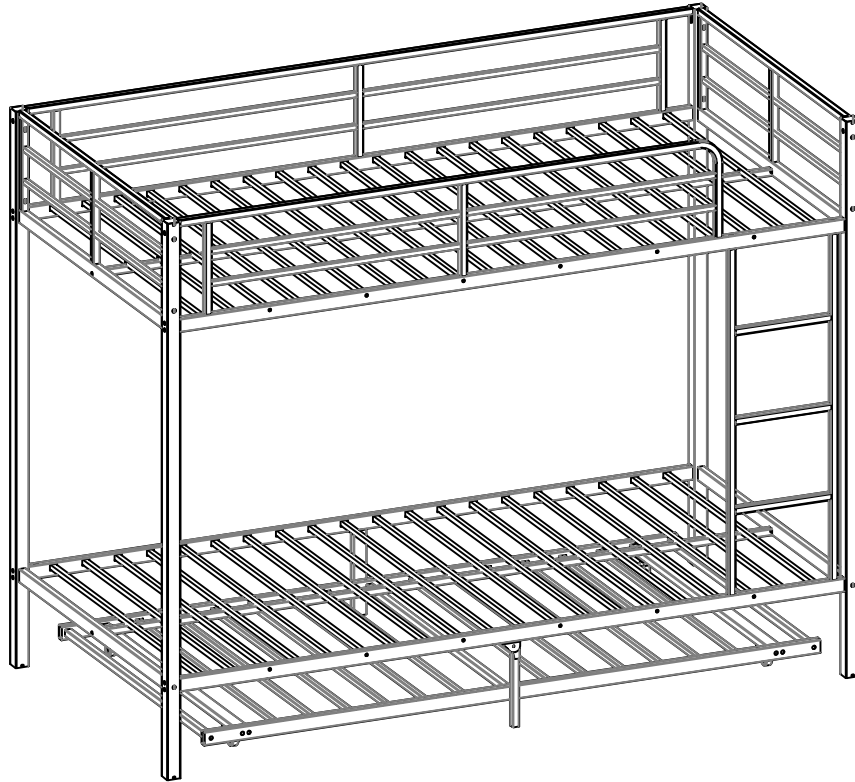
  
 K--24PCS

  
 with brake  
 2 PCS

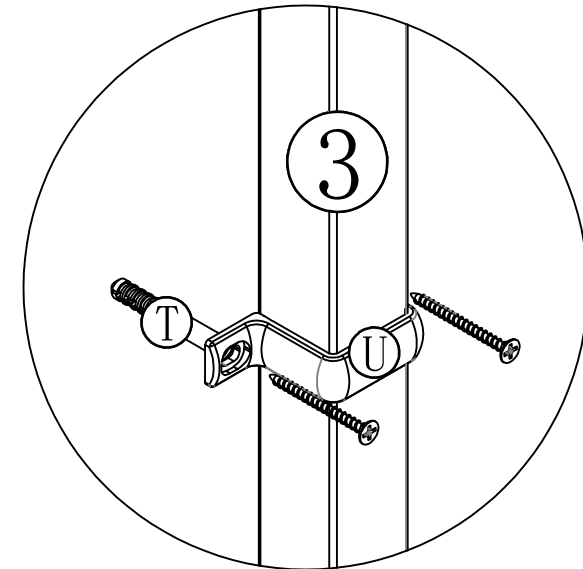
  
 without brake  
 2 PCS

  
 L

# Completed



*Please tighten all screws before use, thank you.*



*Tips:  
If you feel that the bed  
is a little wobbly then  
please use the parts "U"  
and "T" for reinforcement*