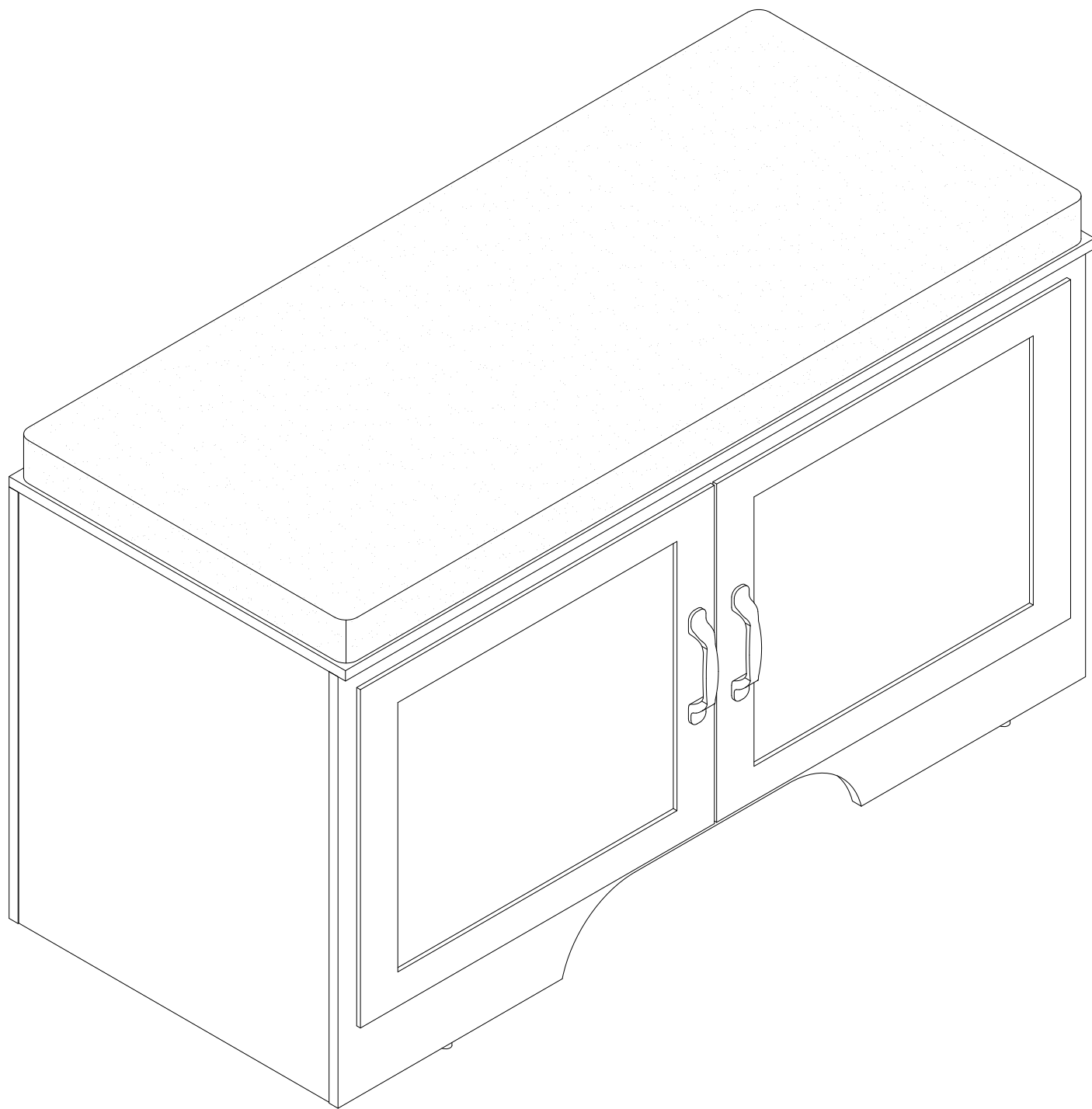




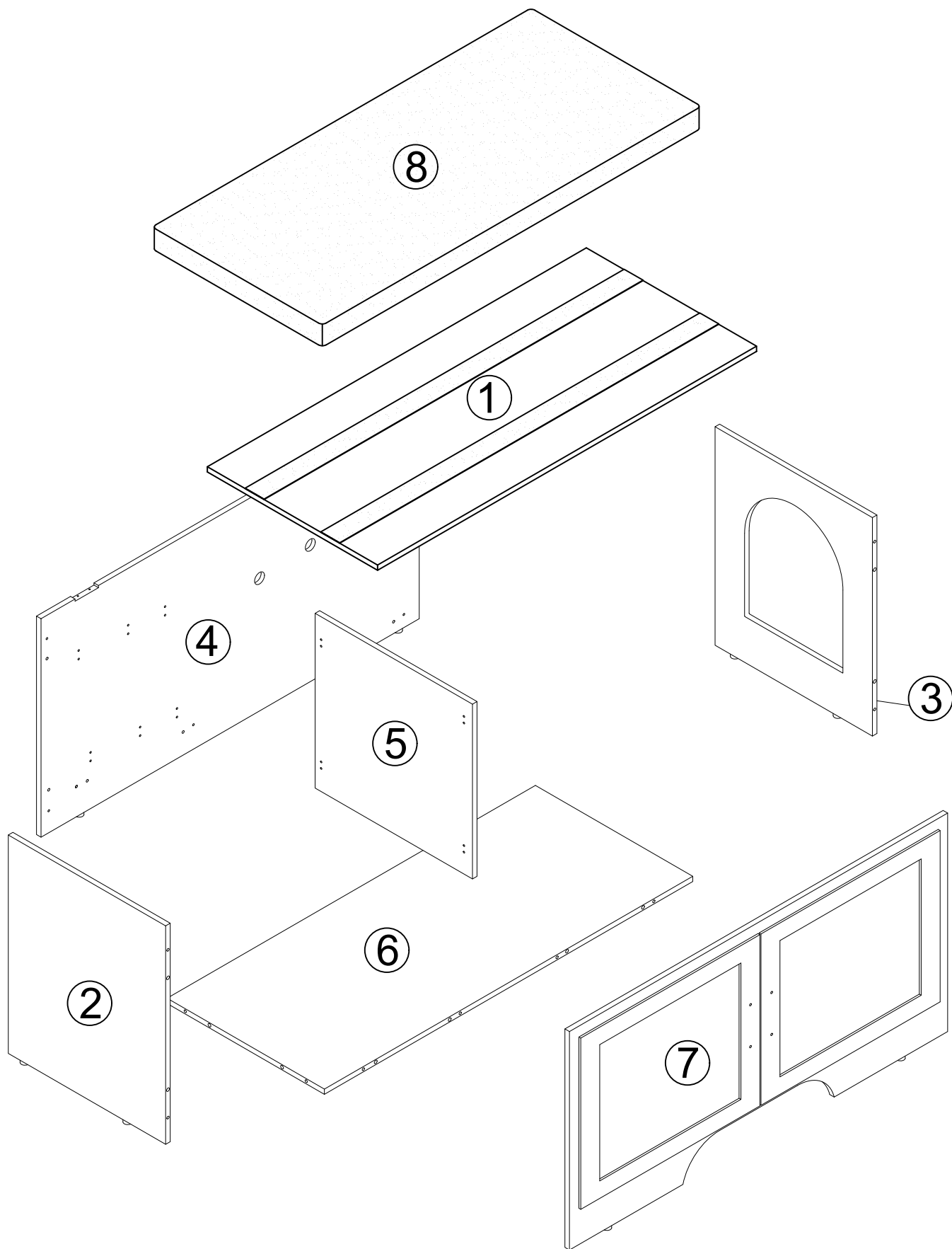
Thanks for purchasing from us. If you need tutorial videos, FAQs and more help, Please scan the QR code to get your after-sales service.

Contact us

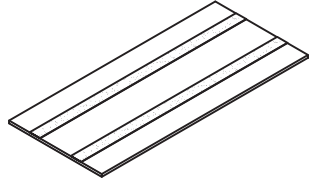
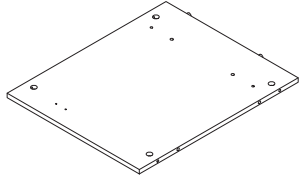
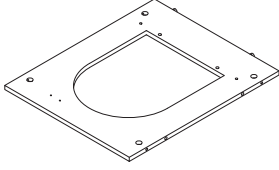
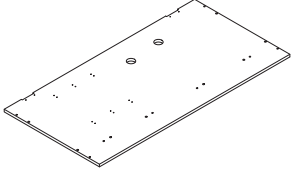
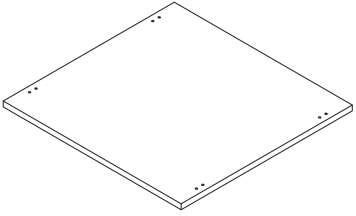
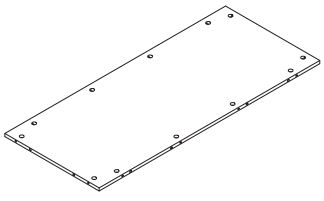
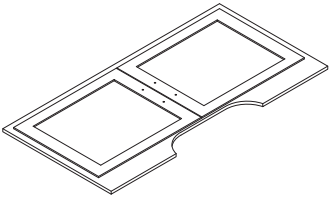
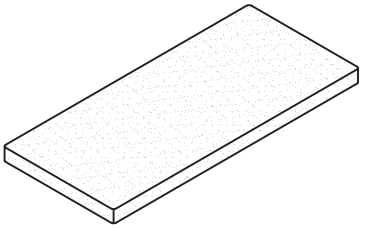
Email: [service2025514@gmail.com](mailto:service2025514@gmail.com)





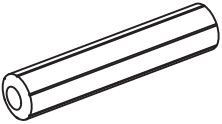
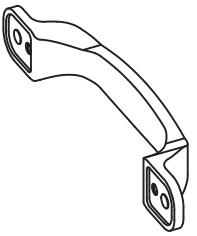


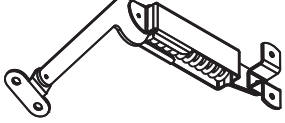
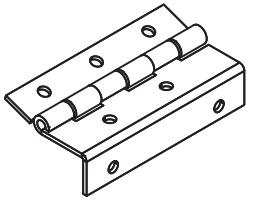

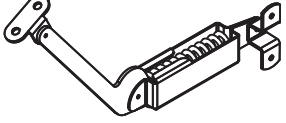
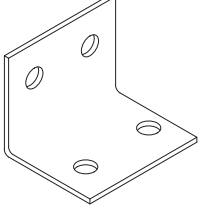
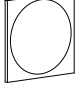
# Parts List



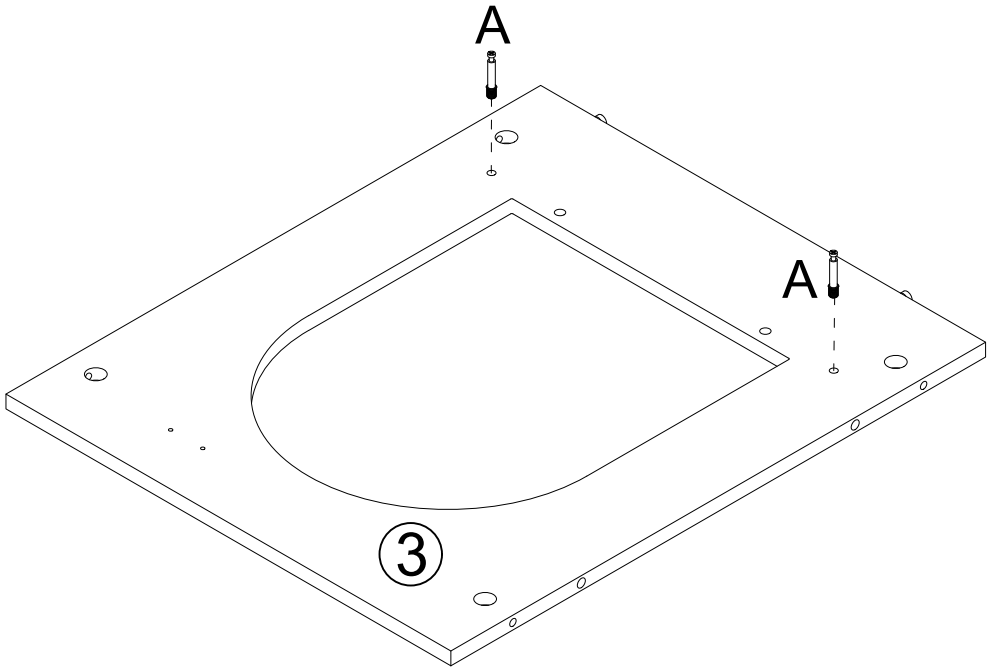
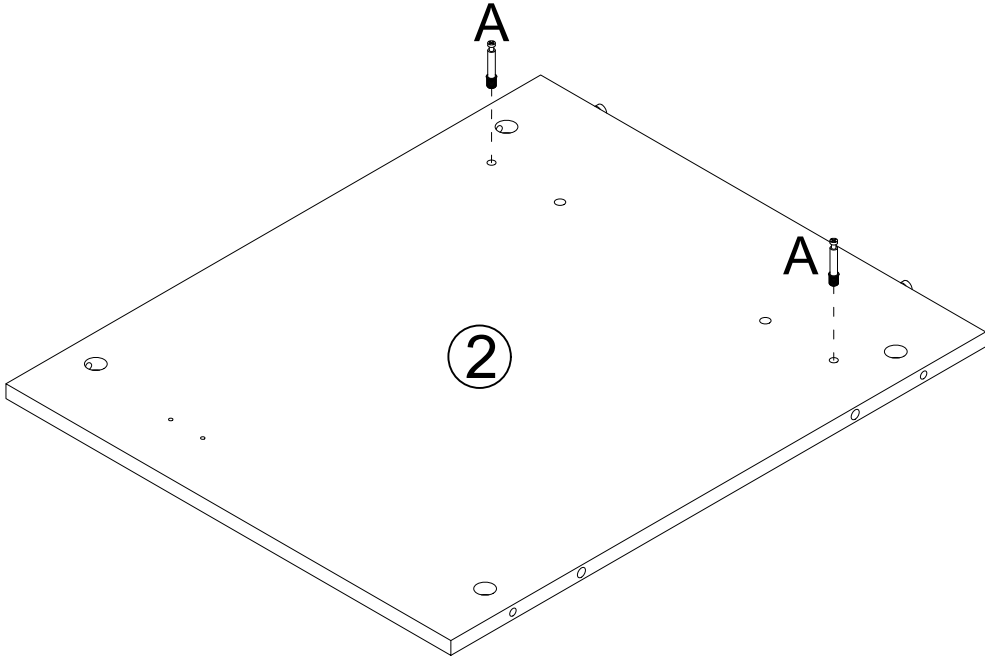
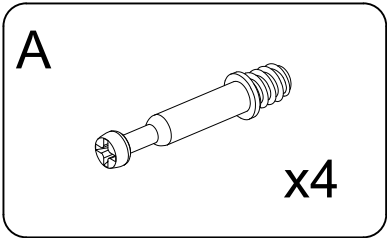
# Parts List

① x1	
② x1	
③ x1	
④ x1	
⑤ x1	
⑥ x1	
⑦ x1	
⑧ x1	

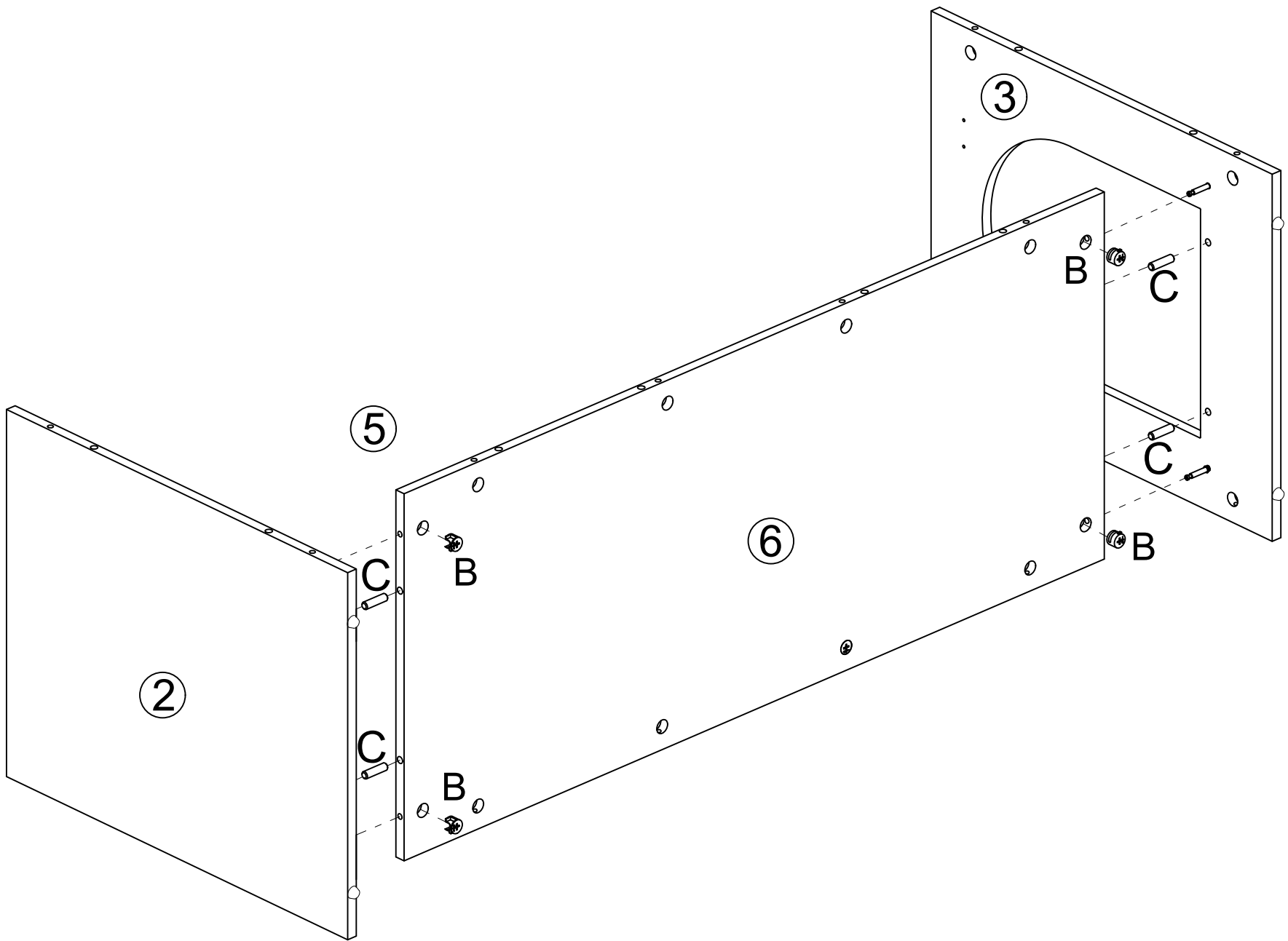
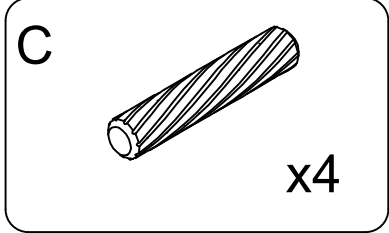
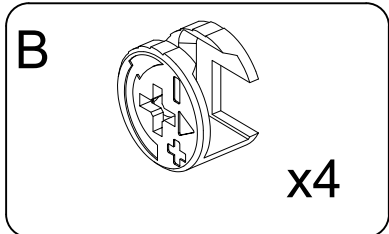
# Hardware List

A	x20+2		ø6x33.5mm
B	x20+2		ø15x9mm
C	x20+2		ø6x30mm
D	x2		
E	x24+2		ø3.5x12mm
F	x4		M4x22mm
G	x1		
H	x2		
J	x8		ø4*12mm
K	x1		
L	x4		
M	x4		

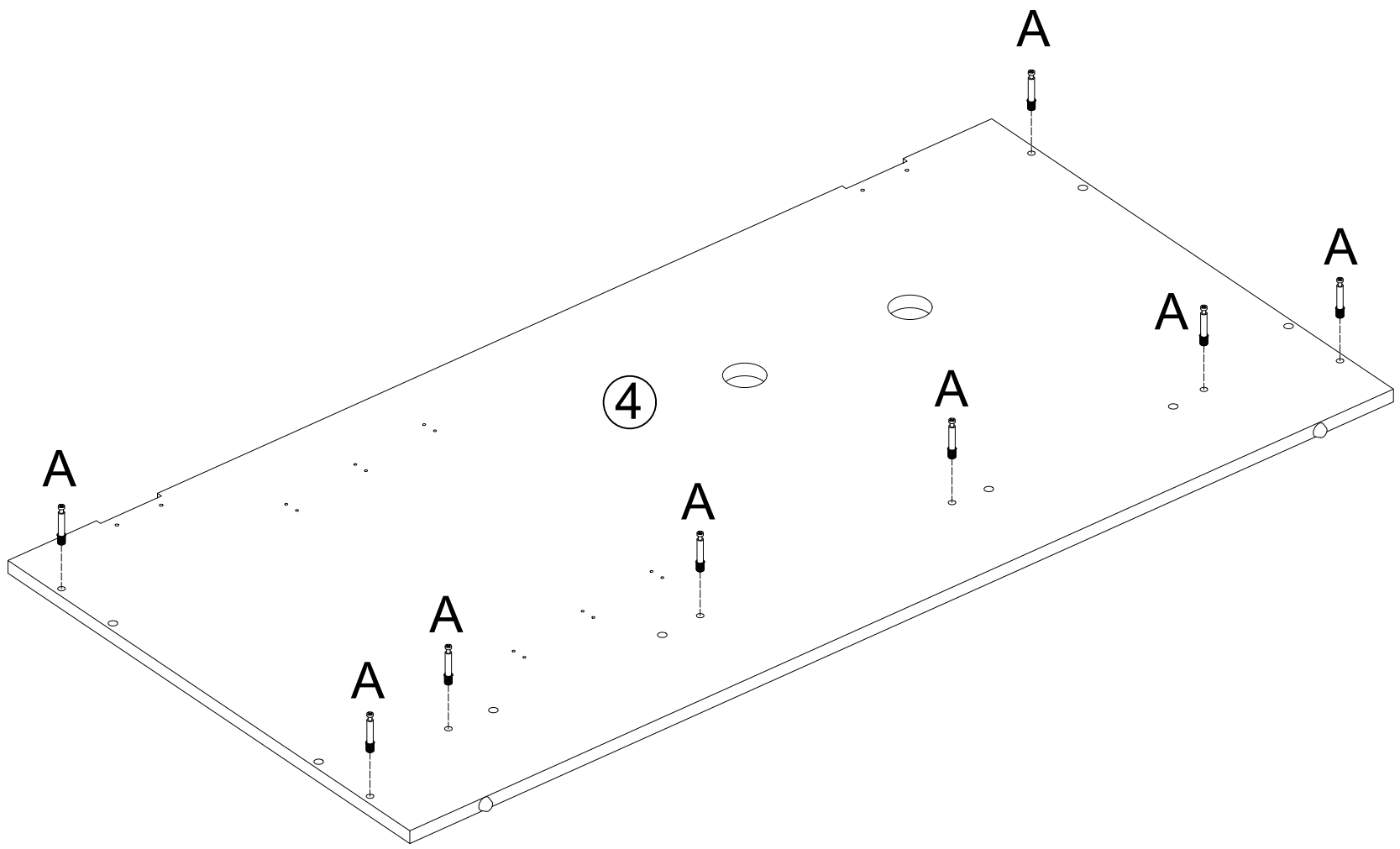
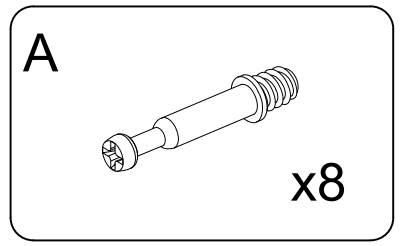
# Step 1



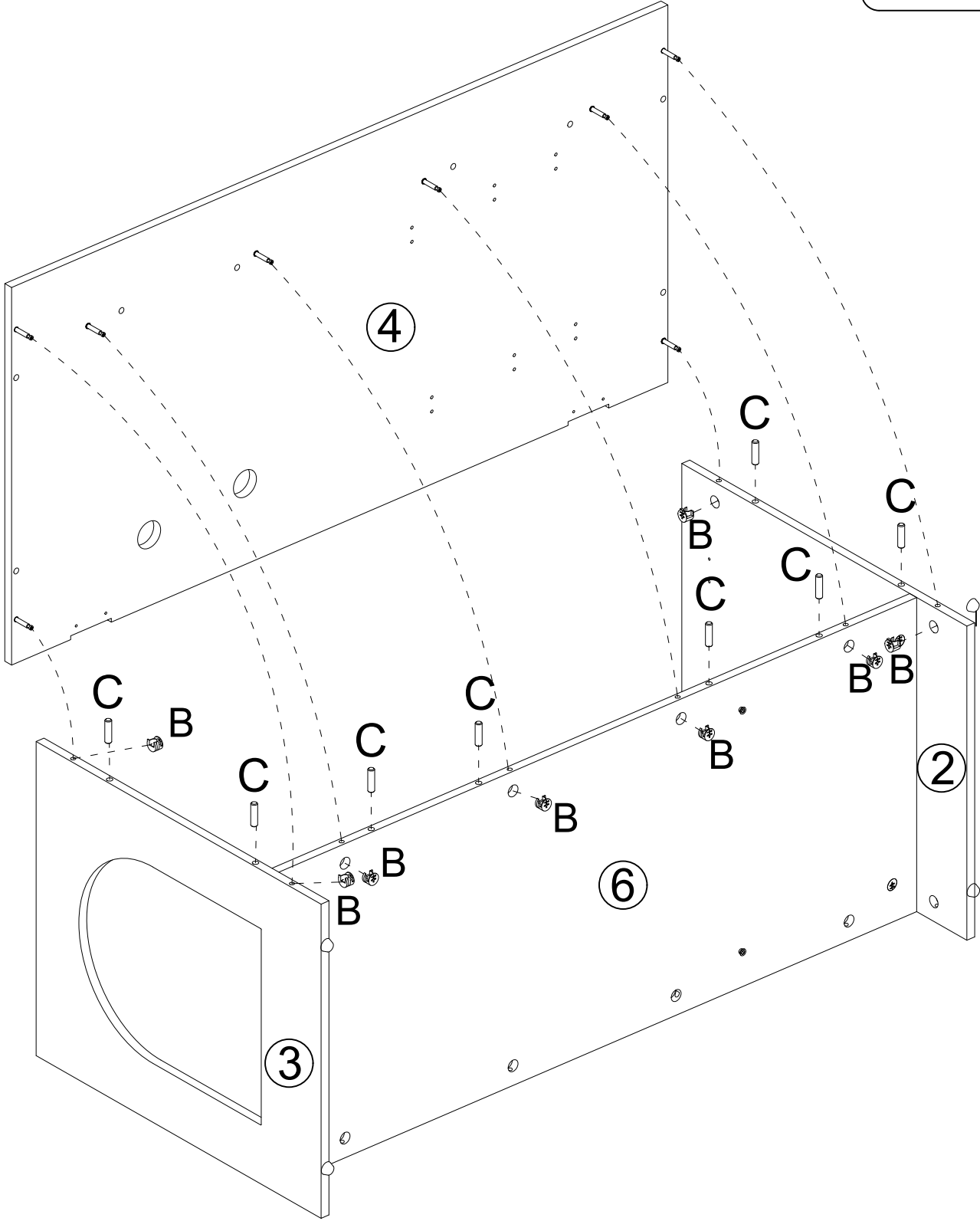
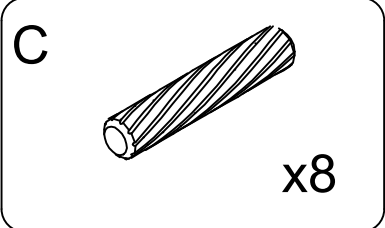
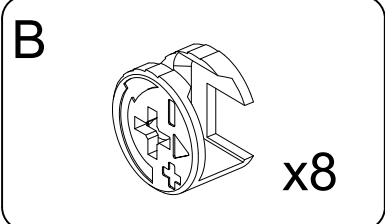
# Step 2



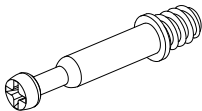

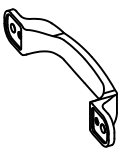
# Step 3

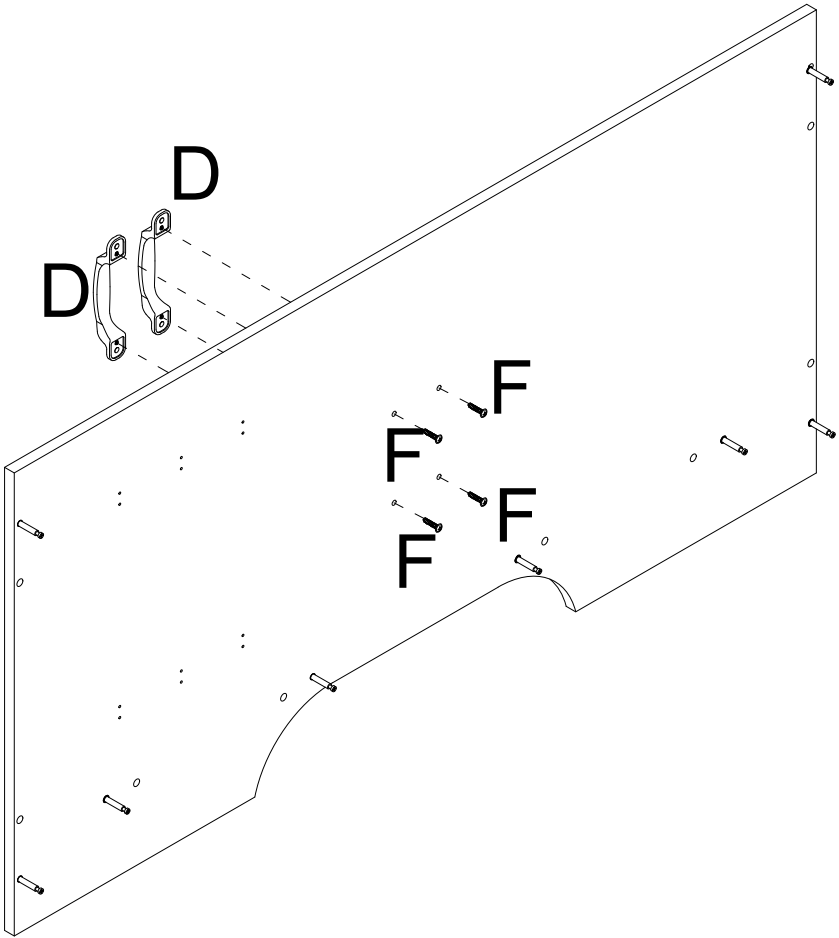
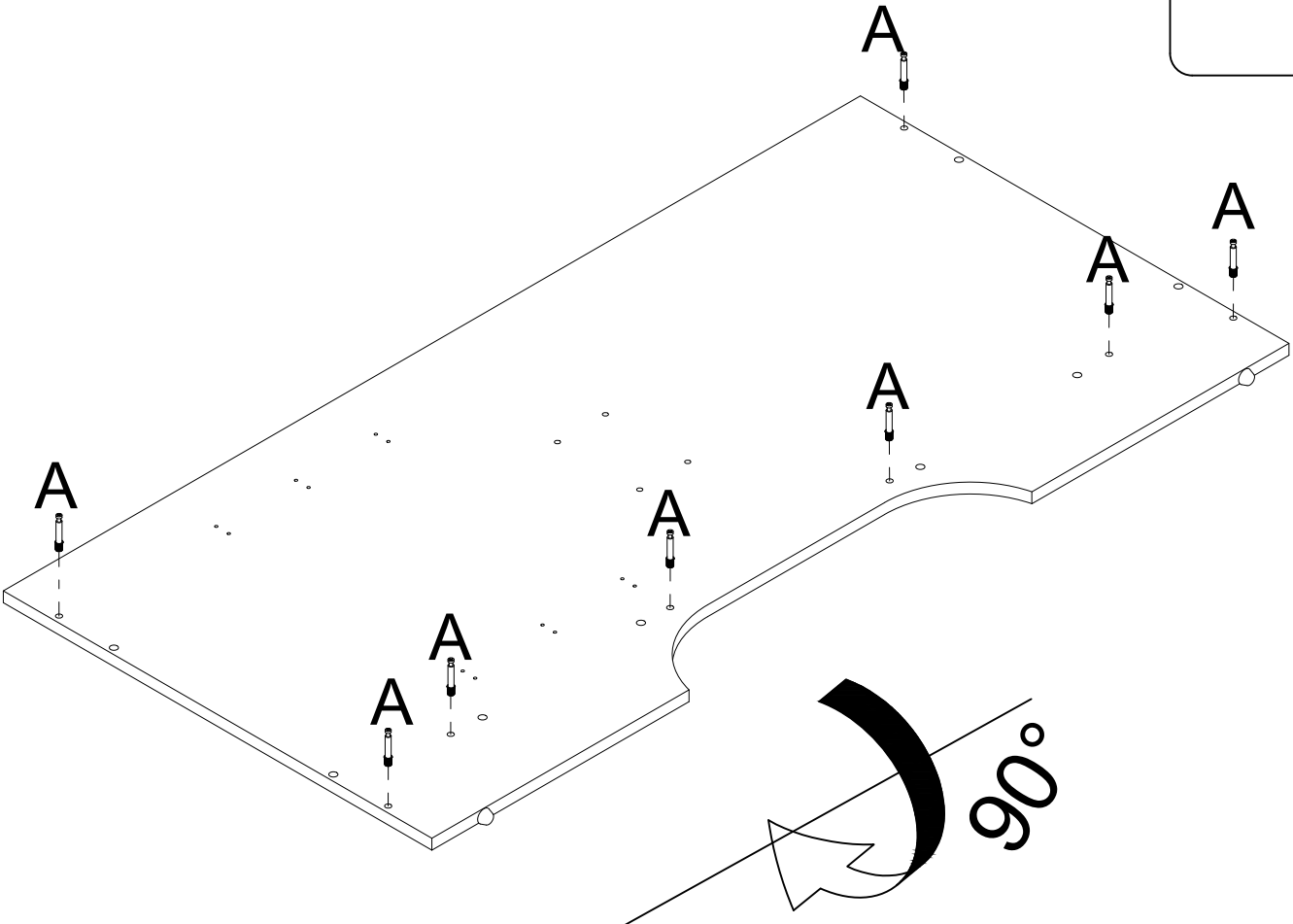


# Step 4

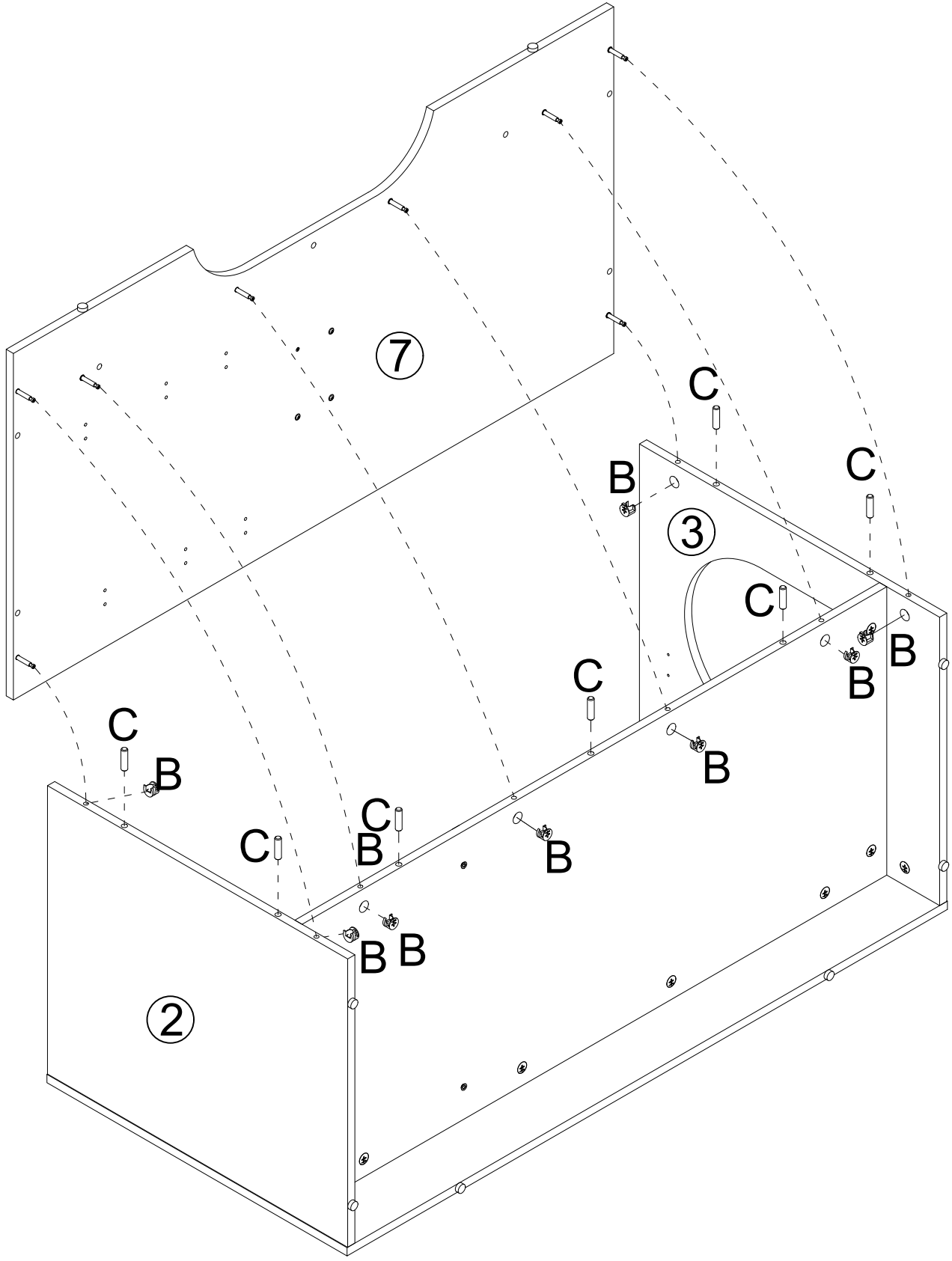
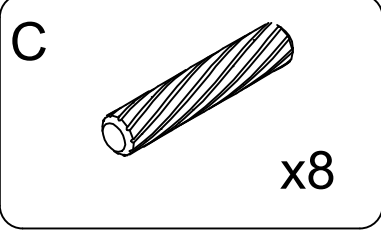
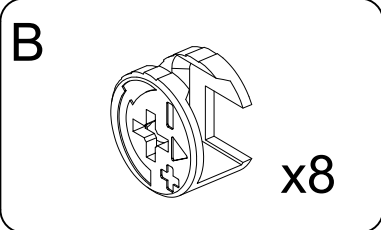


# Step 6

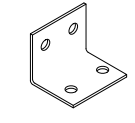
- A  x8
- F  x4
- D  x2

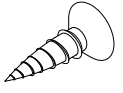


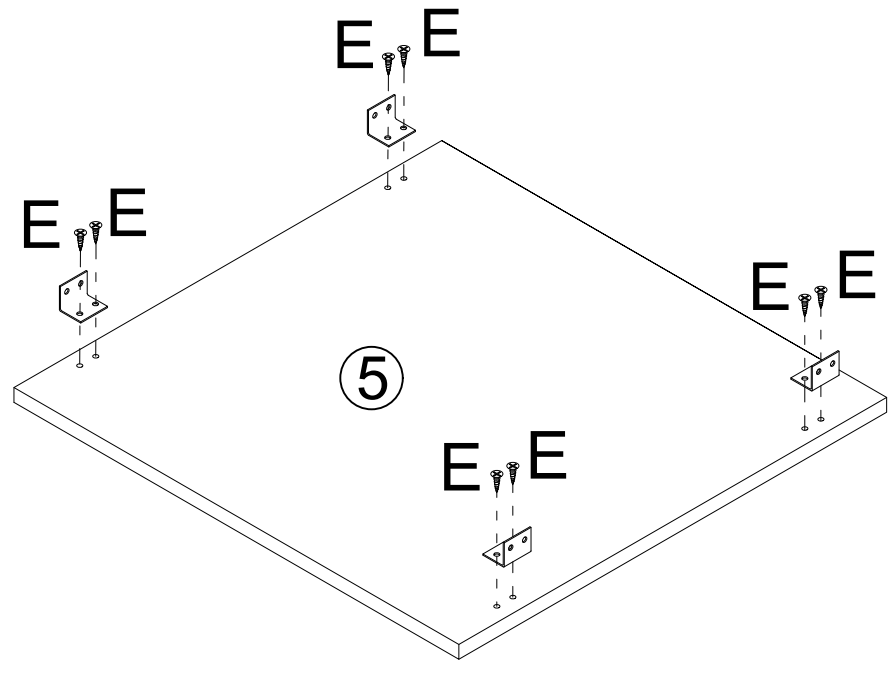
# Step 7



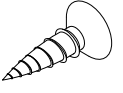
# Step 8

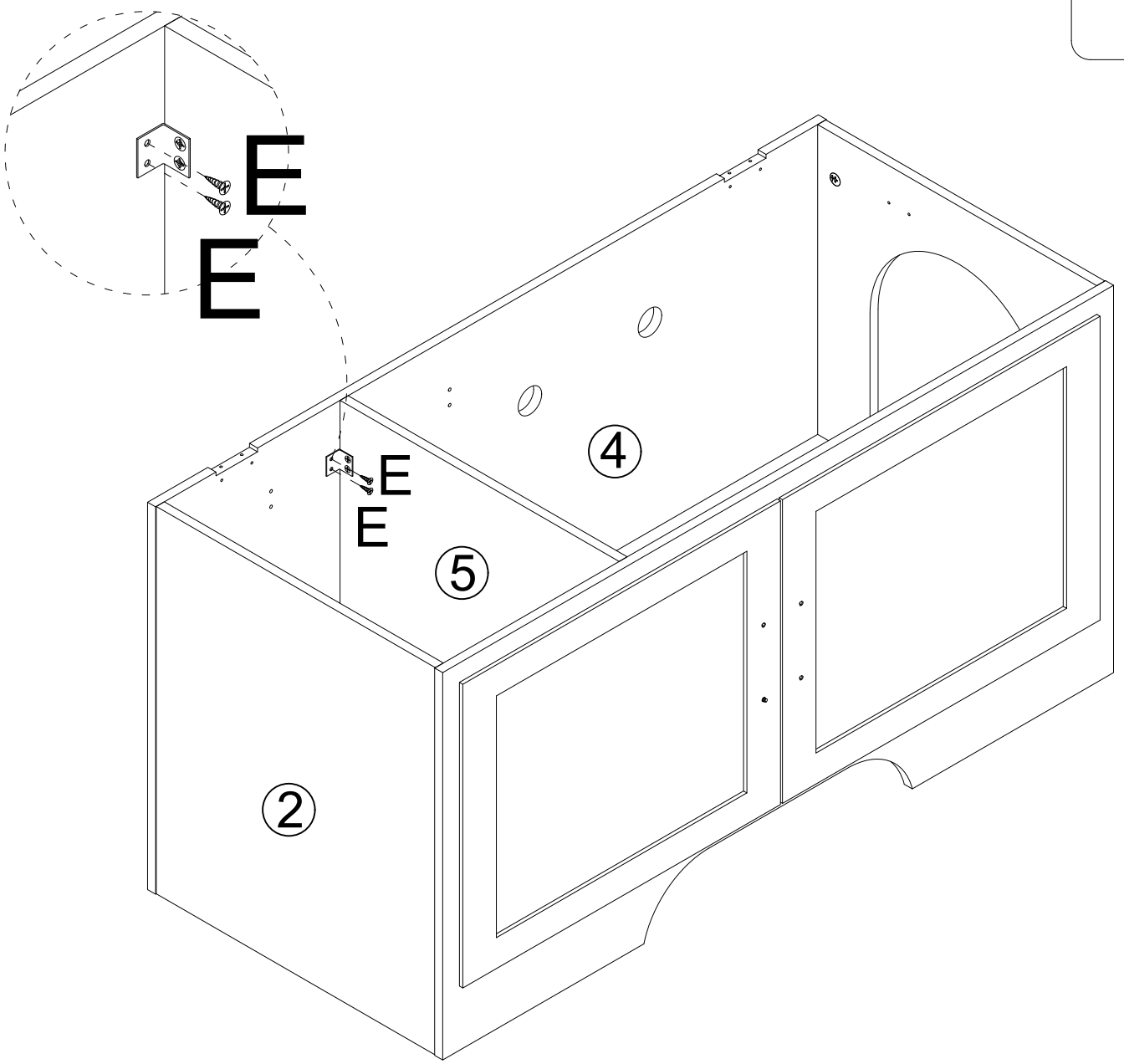
L  x4

E  x8

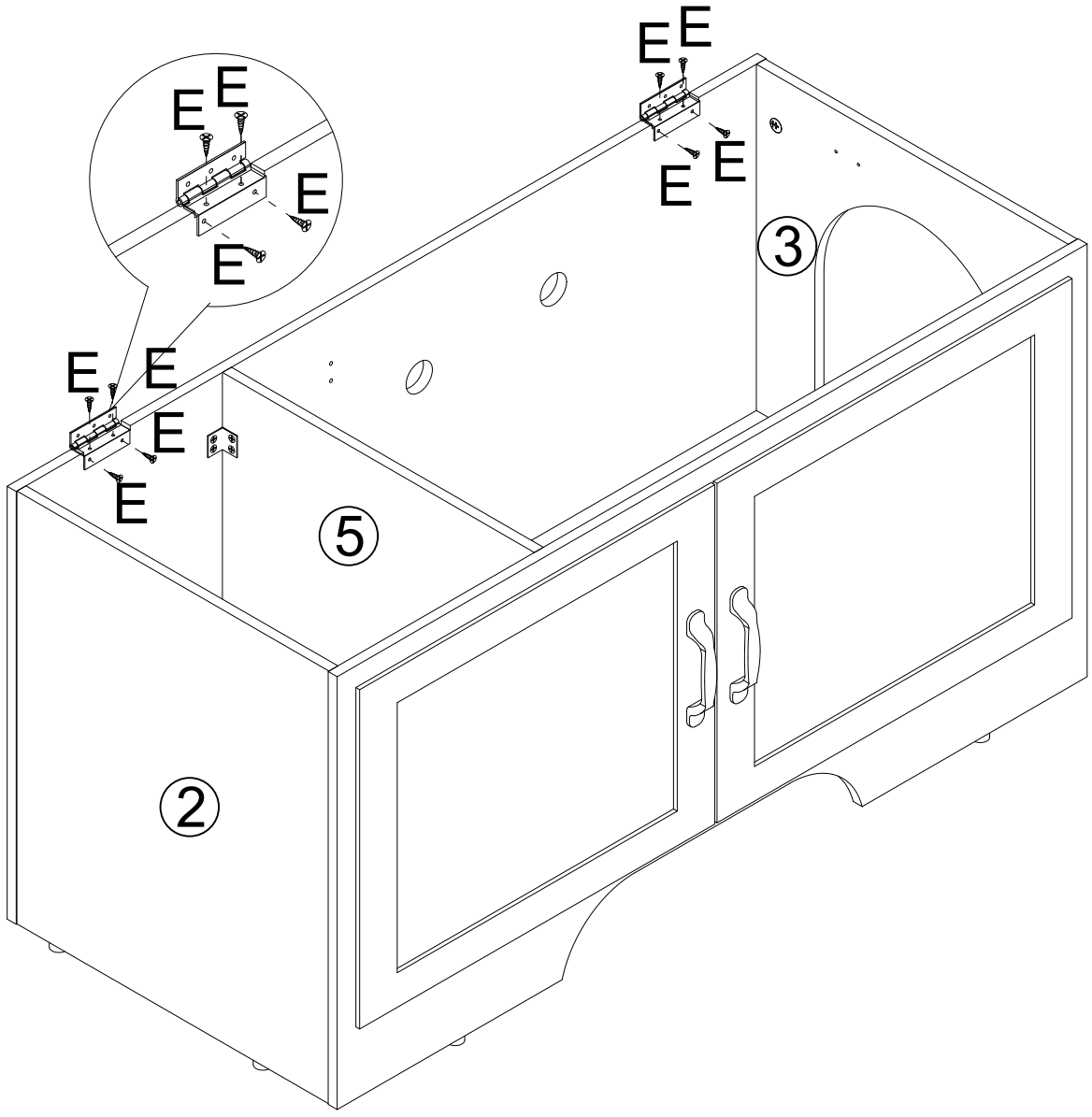
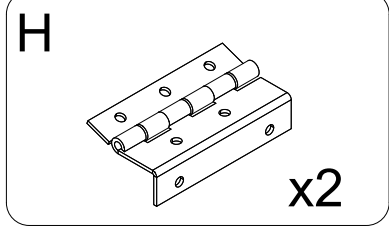
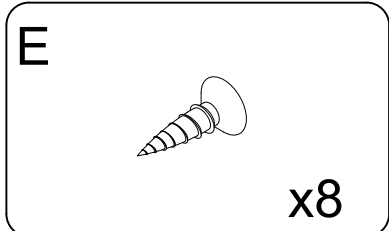


The storage space position is adjustable via the lock-iron plate position.

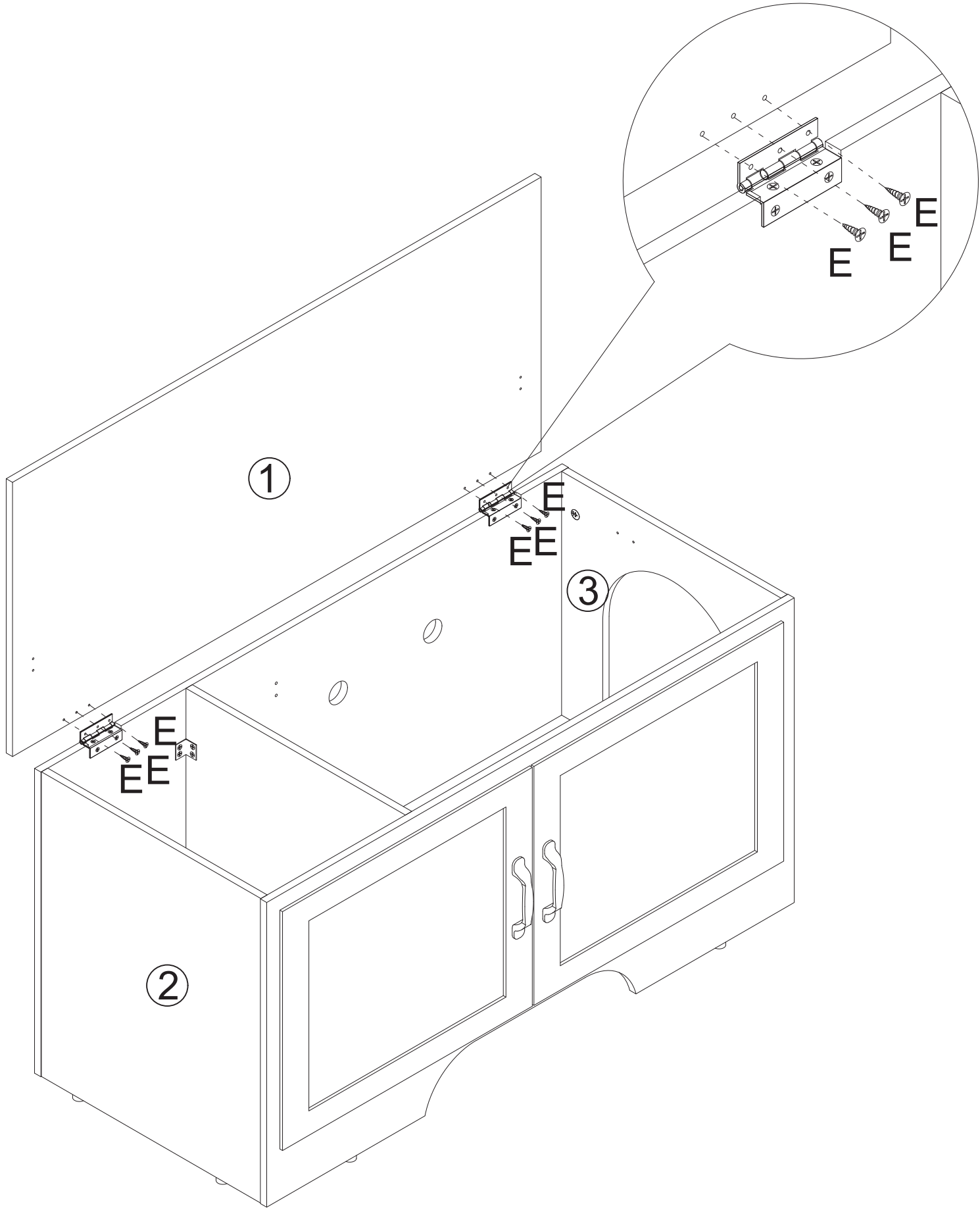
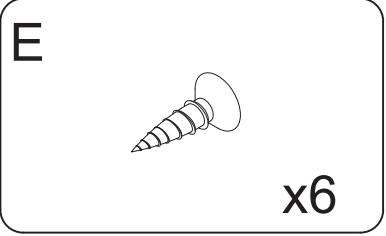
E  x8



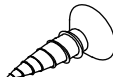
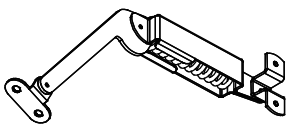
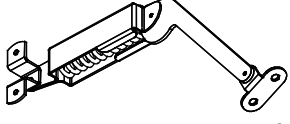
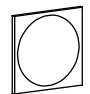
# Step 8

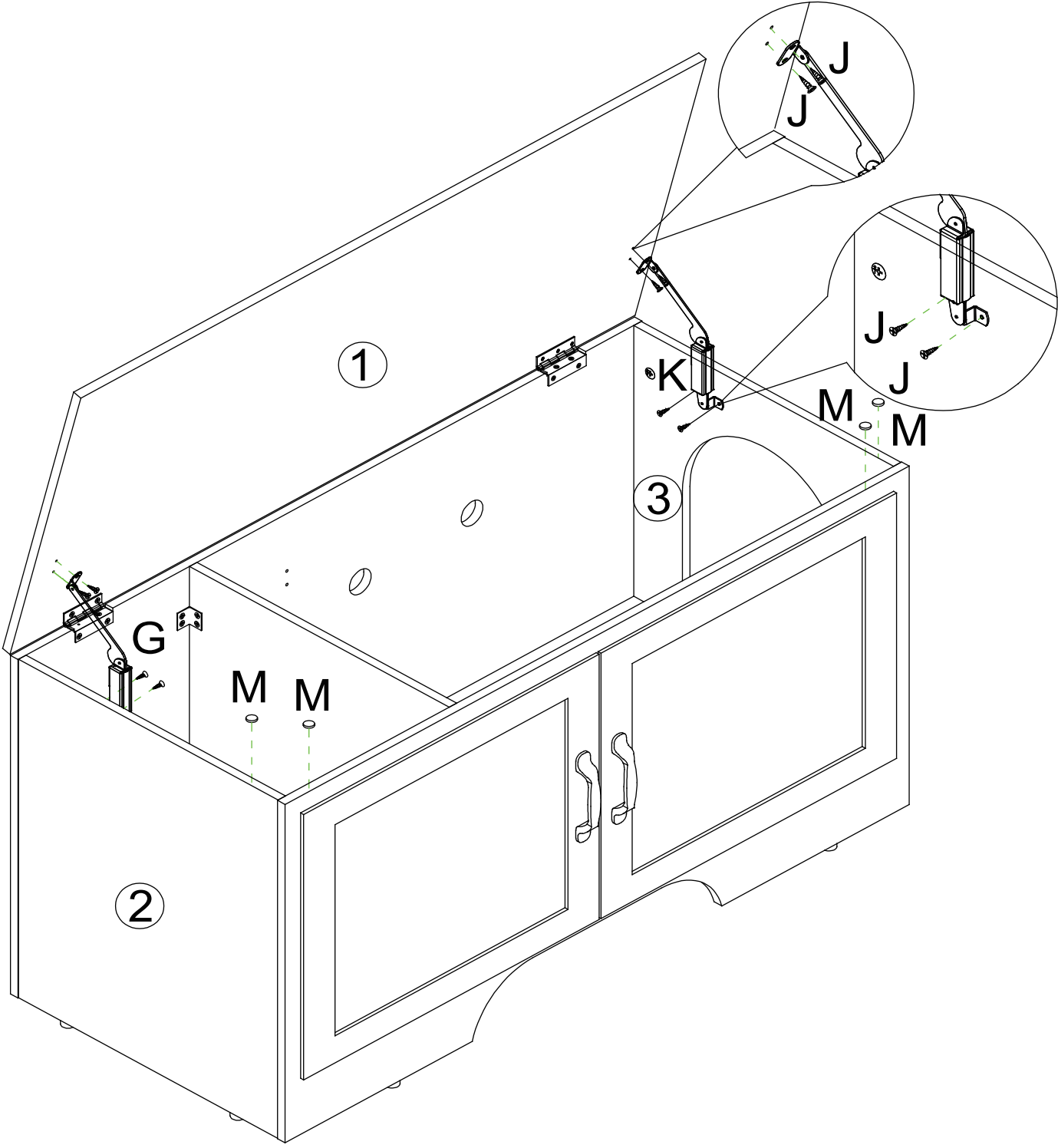


# Step 9



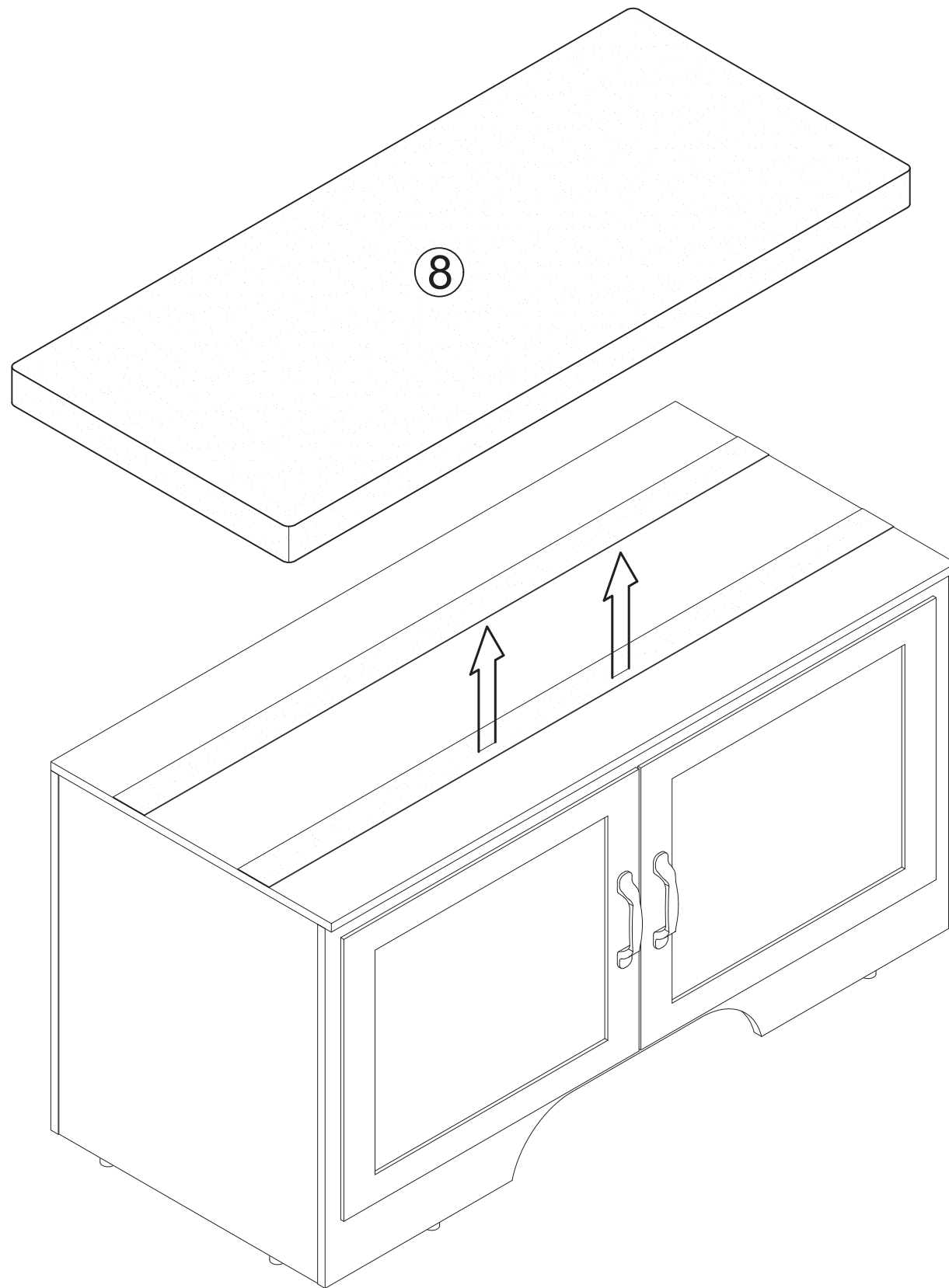
# Step 10

- J  x8
- G  x1
- K  x1
- M  x4



# Step 11

Please overlap the Velcro on the bottom of the cushion and the top plate



# Step 12

