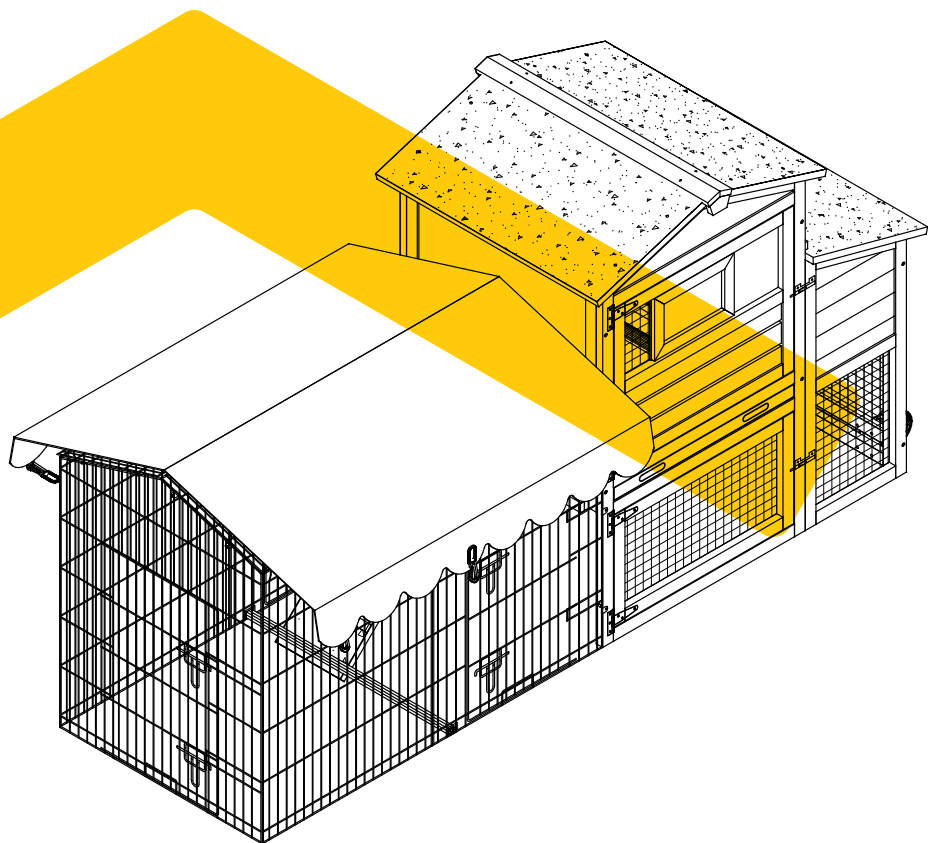


INSTRUCTION MANUAL

AIR 7008





NOTICE

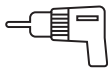
Please retain these instructions for future reference.

- Firmly secure all bolts,screws and knobs before use.
- Reconfirm that all bolts,screws,and knobs are secure every 90 days.
- Fasten screws loosely during initial assembly. Do not fully tighten screws until the item is completely assembled.
- Do not use or store this item in the proximity of open flame or flammable/combustible chemicals.
- Be aware that some parts are heavy and have sharp edges.
- Be aware that moving parts can injure,crush and cut.
- If any parts are missing,broken,damaged,or worn,stop using this product until repairs are made and/or factory replacement parts are installed.
- Do not use this item in a way inconsistent with the manufacturer's instructions as this could void the product warranty.

TOOLS REQUIRED //



PHILLIPS
SCREWDRIVER



DRILL
(RECOMMENDED)



2PERSON
ASSEMBLY



APPROXIMATELY
45MIN. ASSEMBLY

HARDWARE //

M6.0x30mm BOLT
8PCS+1spare



P1

M3.5x60mm SCREW
6PCS+1spare



P2

M3.5x40mm SCREW
12PCS+1spare



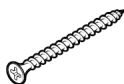
P3

M3.5x35mm SCREW
10PCS+1spare



P4

M3.5x25mm SCREW
7PCS+1spare



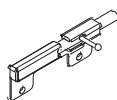
P5

M3.0x16mm SCREW
24PCS+1spare



P6

Spring latch
2PCS



P7

M6.0x15mm BOLT
2PCS+1spare



P8

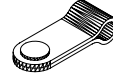
HARDWARE

M6.0x15mm BOLT
2PCS+1spare



P9

Metal buckle
4PCS+1spare



P10

Lock
3PCS



P11

Hook
5PCS



P12

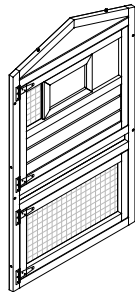
Ties
10PCS



P13

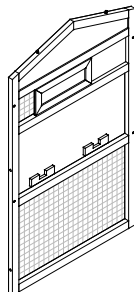
PARTS //

Front panel
1PC



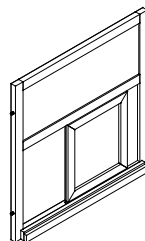
A

Back panel
1PC



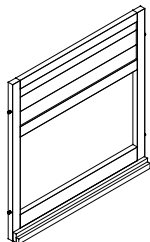
B

Left panel of coop
1PC



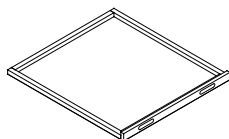
C

Right panel of coop
1PC



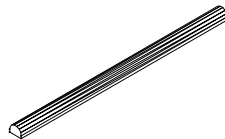
D

Tray
1PC



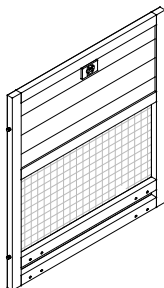
E

Perch
2PCS



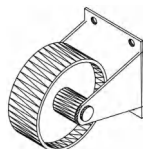
F

Side panel of nesting box
1PC



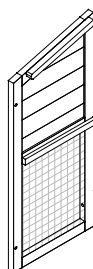
G

Wheels
2PCS



H

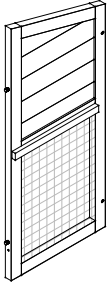
Left panel of nesting box
1PC



I

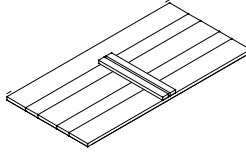
PARTS //

Right panel of nesting box
1PC



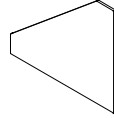
J

Bottom of nesting box
1PC



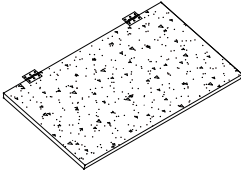
K

Divider
1PC



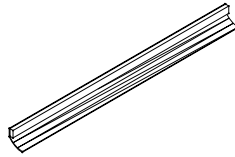
L

Roof of nesting box
1PC



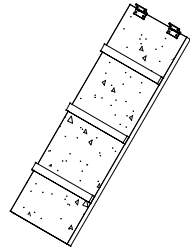
M

PVC waterproof strip
1PC



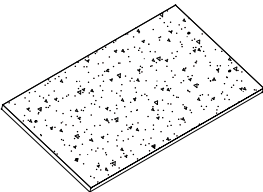
N

Ramp
1PC



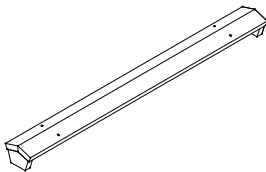
O

Roof of coop
2PCS



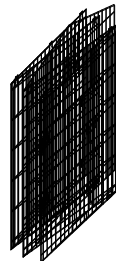
P

Roof cap
1PC



Q

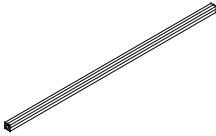
Folding chicken run
1PC



R

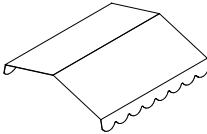
PARTS //

Supporting bar for chicken
run
1PC



S

Tarp roof cover
1PC



T

Wood particle
2PCS

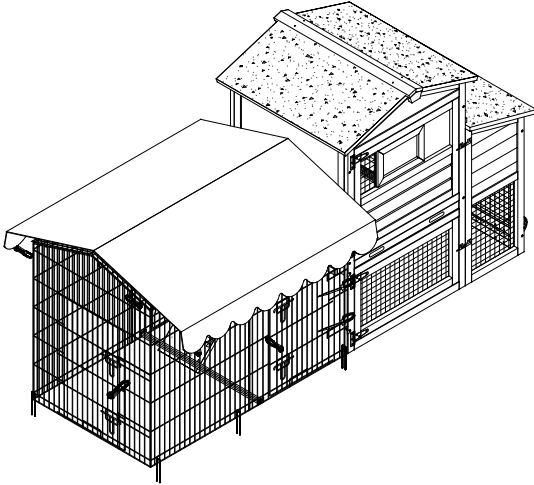


U

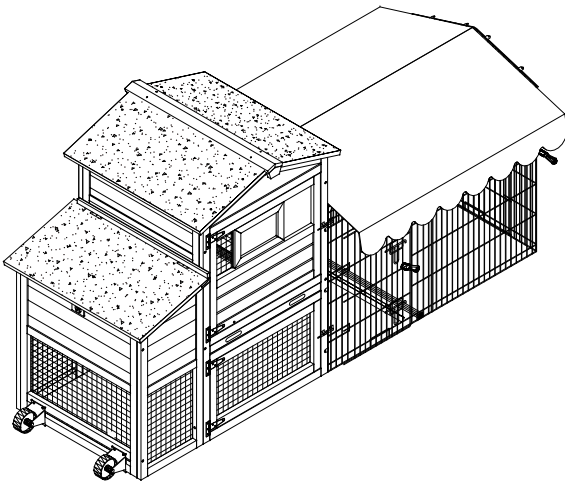
Notice

Read Before Assemble!

The sleeping house can be placed on the left or the right side, two assembly methods for you to choose.



Option 1
From step 1 to step 17

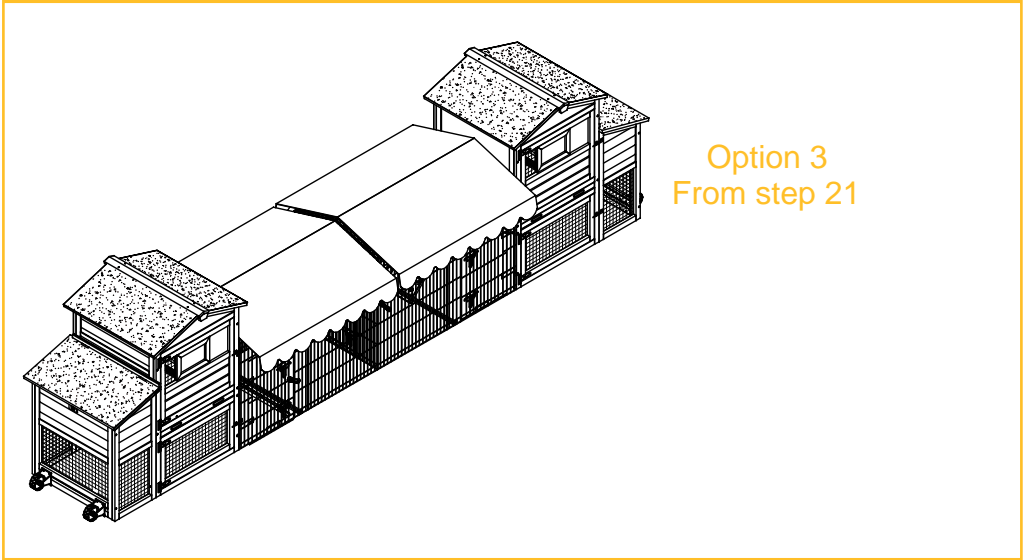


Option 2
From step 18 to step 20

Notice

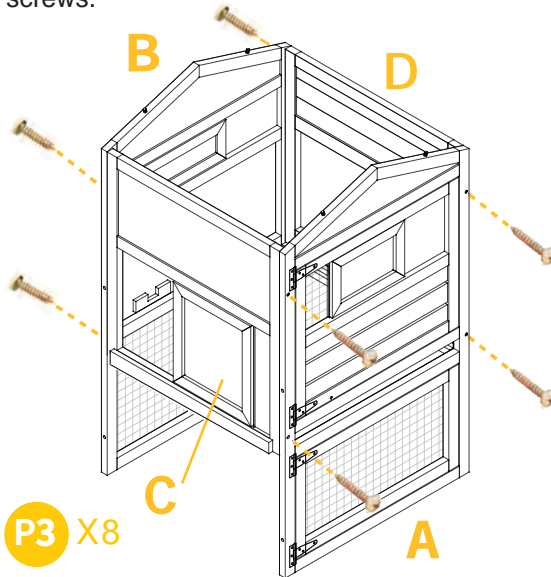
Read Before Assemble!

Pls ignore the following for only one coop owner !

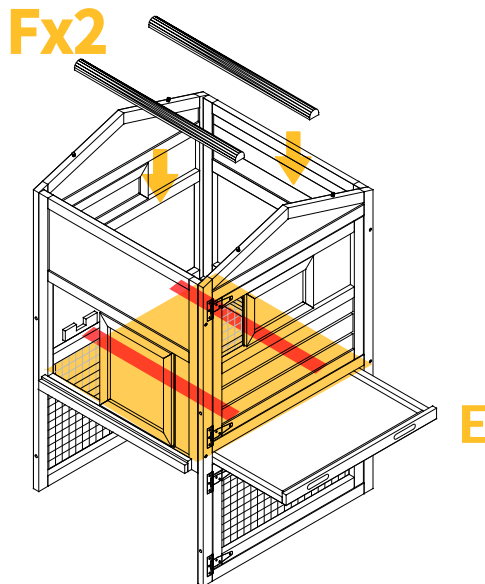


PRODUCT ASSEMBLY //

- 01** Attach the front Part A, the back Part B to the side panels Part C & D by 8xP3 screws.

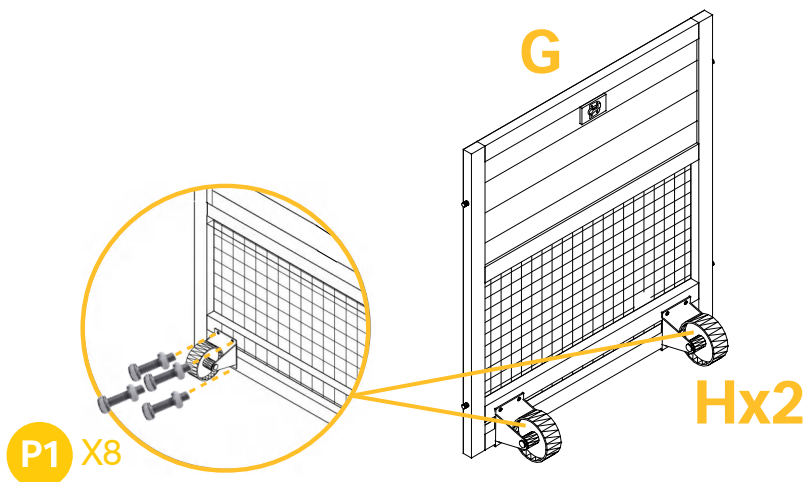


- 02** Slide in metal tray Part E.
Insert the perch Part F into slots inside the front and back panels

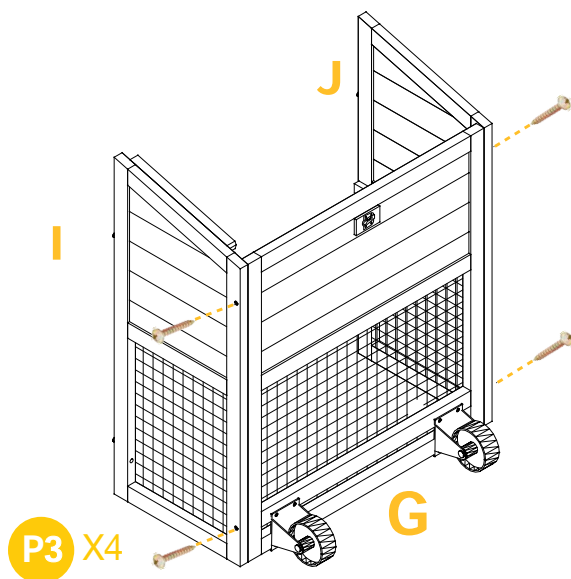


PRODUCT ASSEMBLY //

03 Bolt the wheels Part H to the side panel of nesting box Part G by 4xP1 bolts each.

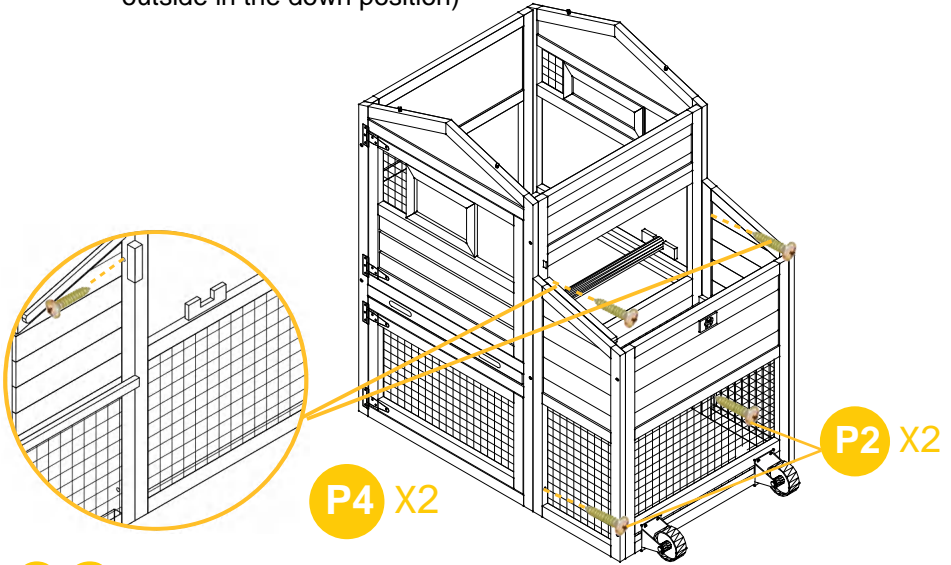


04 Attach the side panel of nesting box Part I & J to Part G by 4xP3 screws.

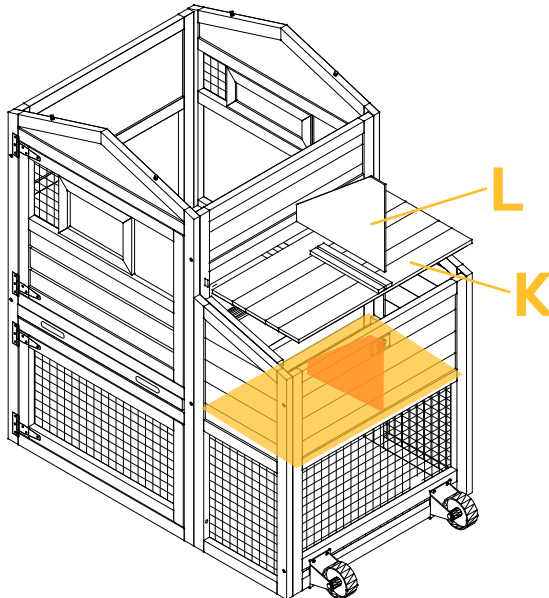


PRODUCT ASSEMBLY //

- 05** Attach the nesting box to the coop by 1xP2 & 1xP4 screw each side.
(Notice screw the P4 from inside in the upper position, screw the P2 from outside in the down position)



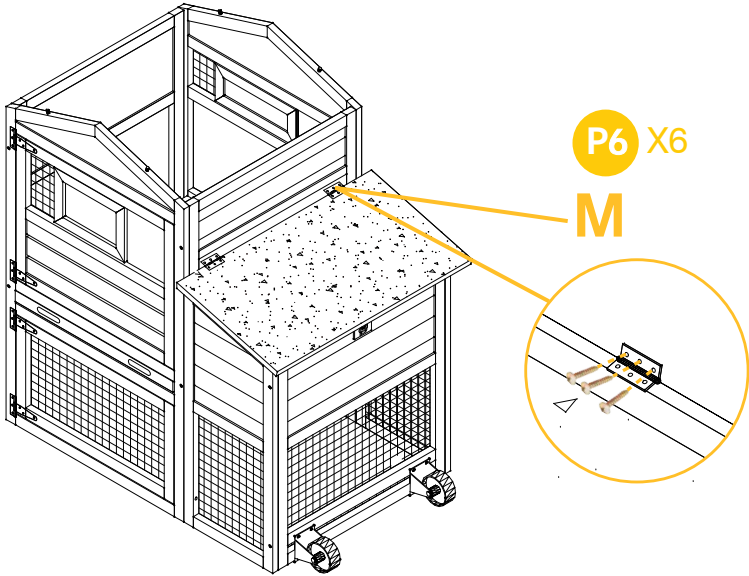
- 06** Drop in bottom of nesting box Part K.
Slide in divider Part L.



PRODUCT ASSEMBLY //

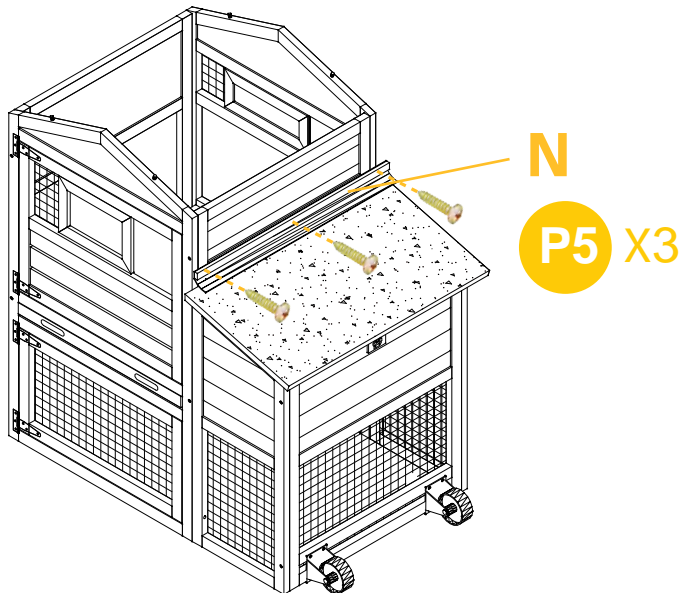
07

Make sure the lock is functioning properly before locking the roof. Attach the roof of nesting box Part M by 6XP6 screws.



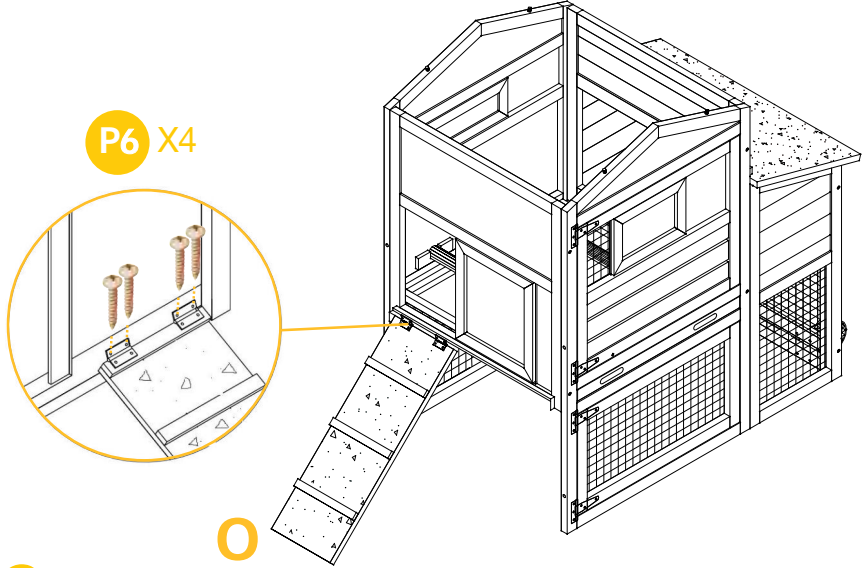
08

Attached PVC waterproof strip Part N to the nesting box by 3xP5 screws.

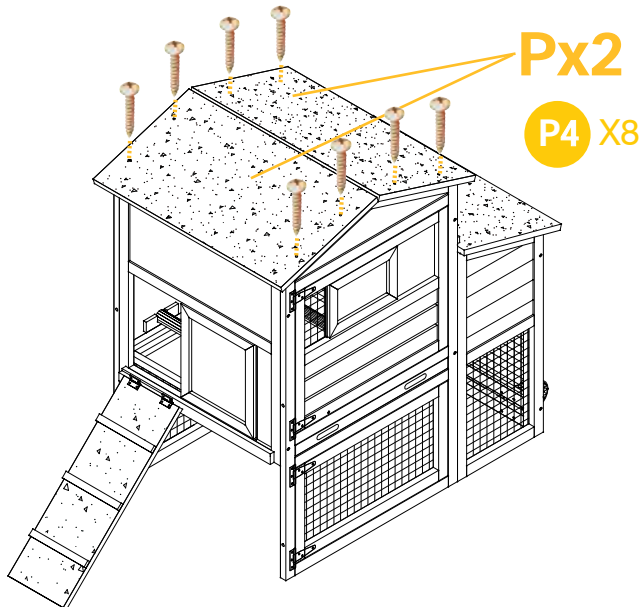


PRODUCT ASSEMBLY

- 09** Screw ramp Part O to the bottom half of lower panel on Part C by 4xP6 screws.
(Notice not to block with the sliding door.)

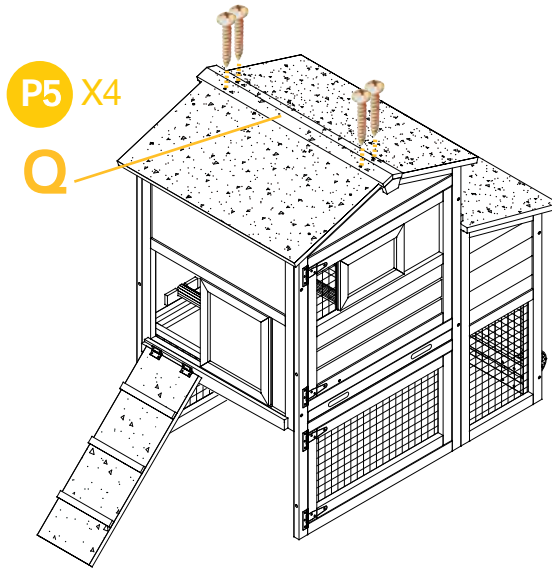


- 10** Attach roof panels Part P to the coop by 8xP4 screws.

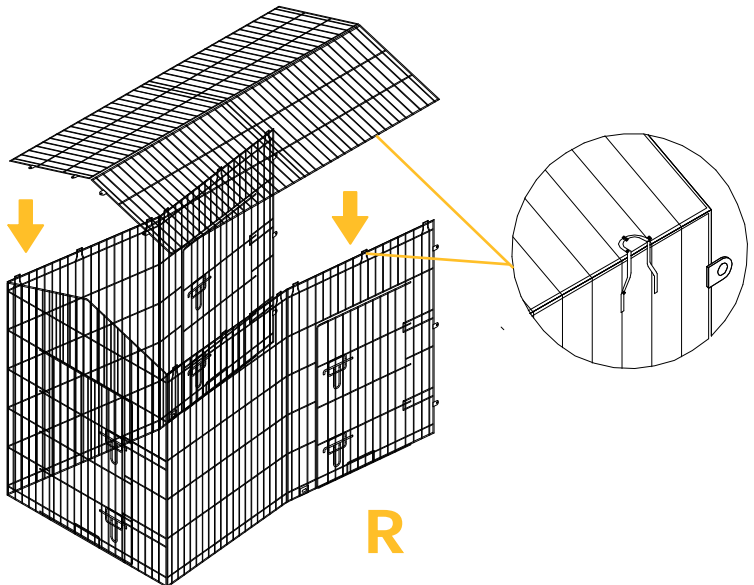


PRODUCT ASSEMBLY //

- 11** Ensure top roof panels line up with each other before screwing roof caps Part Q by 4xP5 screws.

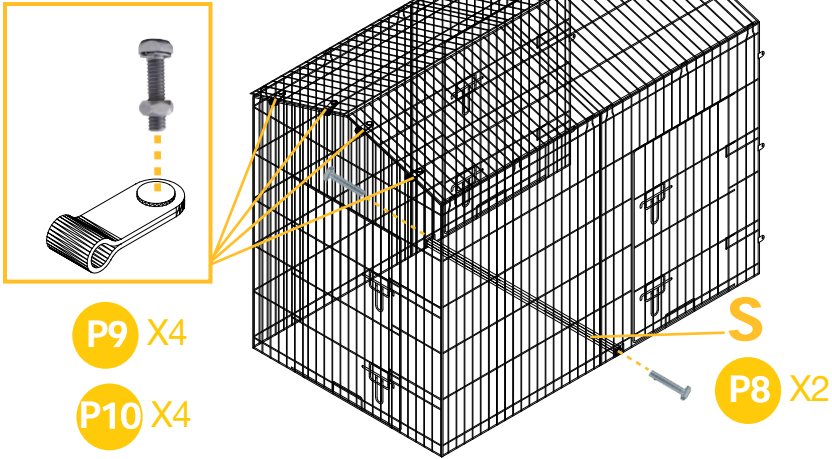


- 12** Open the chicken run Part R, then attach the run roof .

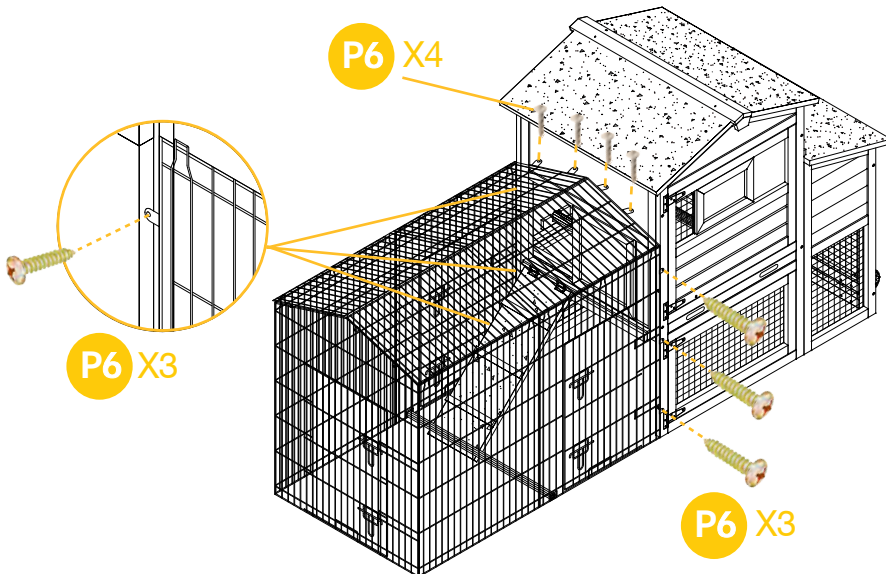


PRODUCT ASSEMBLY //

- 13** Attach supporting bar Part S to chicken run by 2xP8 screws. Use the metal buckle P10 to connect the wire roof and side panel together by 4xP9 screws.

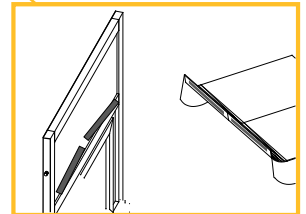
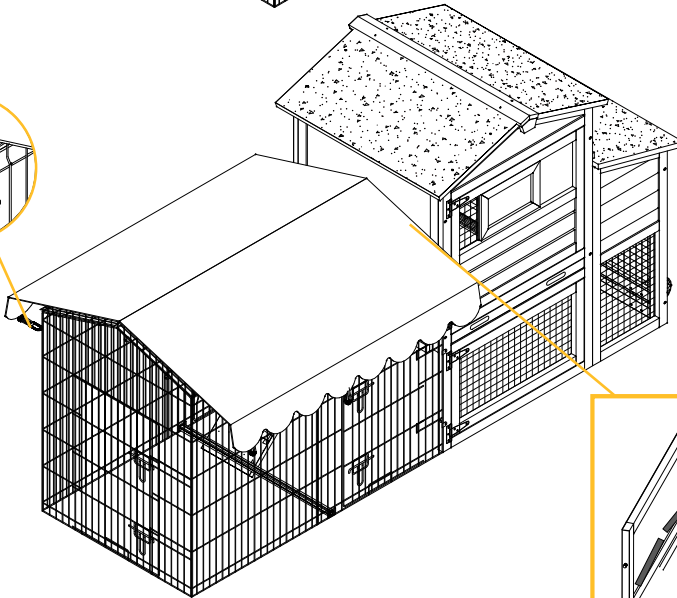
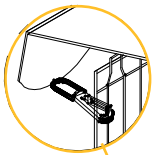
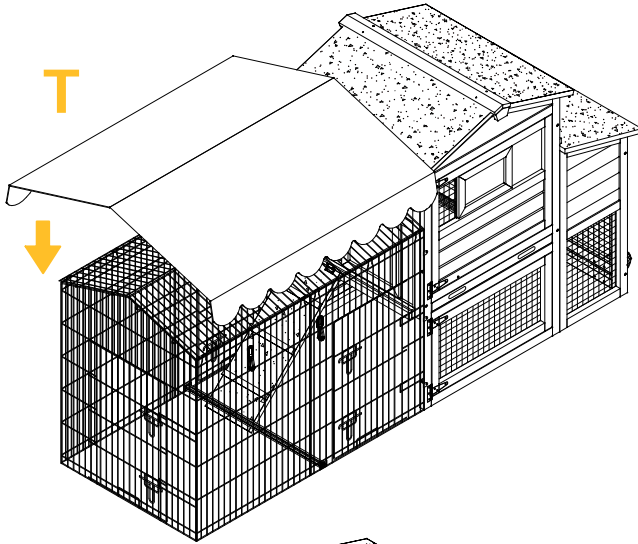


- 14** Screw the chicken run to chicken coop by 6xP6 & 4xP6 screws.



PRODUCT ASSEMBLY //

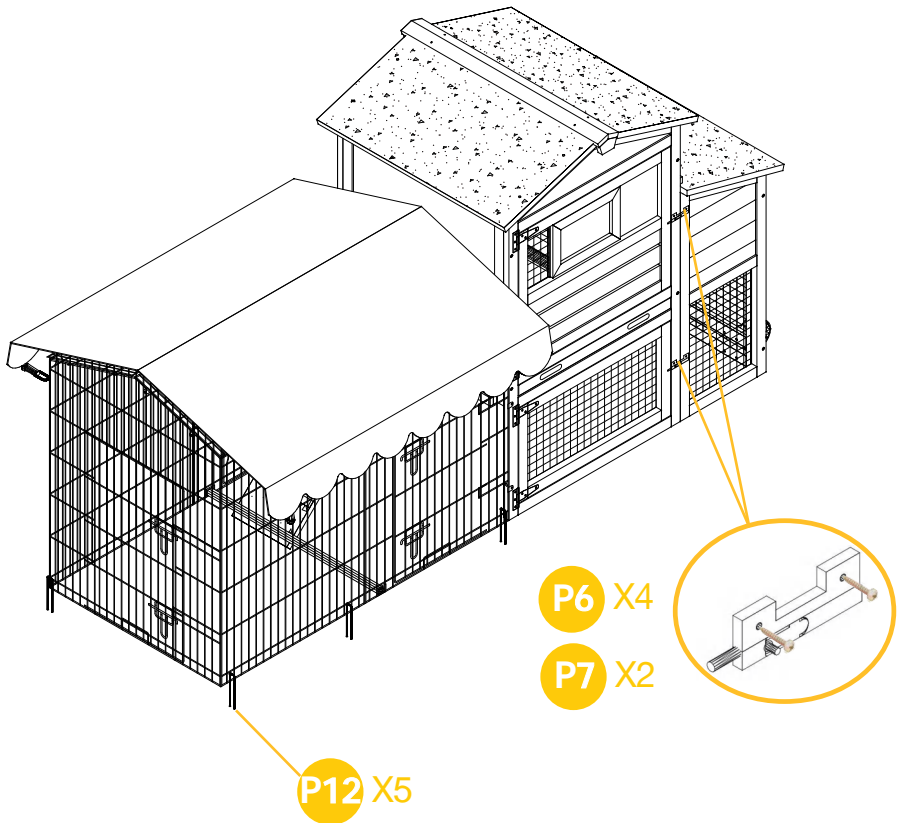
15 Lock the tarp roof cover Part T to chicken run, then stick it with velcro.



PRODUCT ASSEMBLY

16

Attach the spring latch P7 to the doors by 2xP6 screws each.
(Notice the direction of latch)
Use the hook P12 to hook the chicken run to the ground.

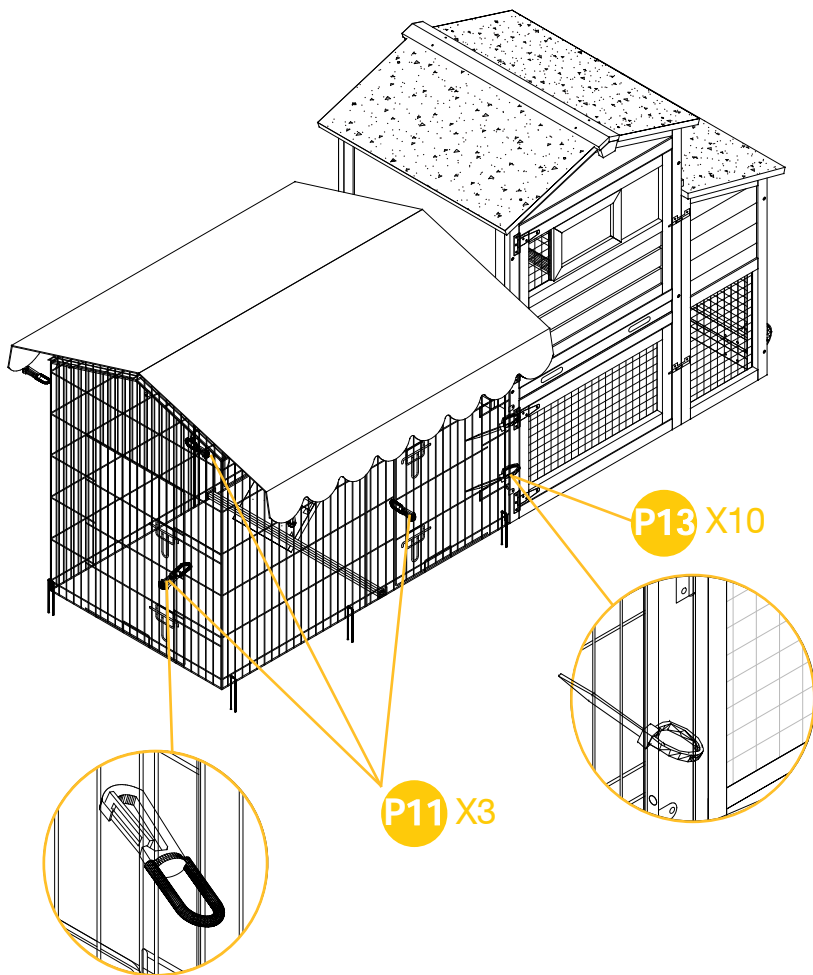


PRODUCT ASSEMBLY //

17

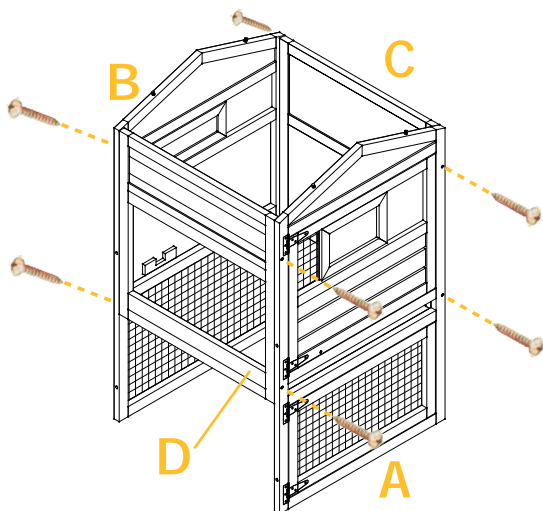
Use the lock P11 to lock the door.

Use P13 to tie the coop, you can tie it anywhere that you want.

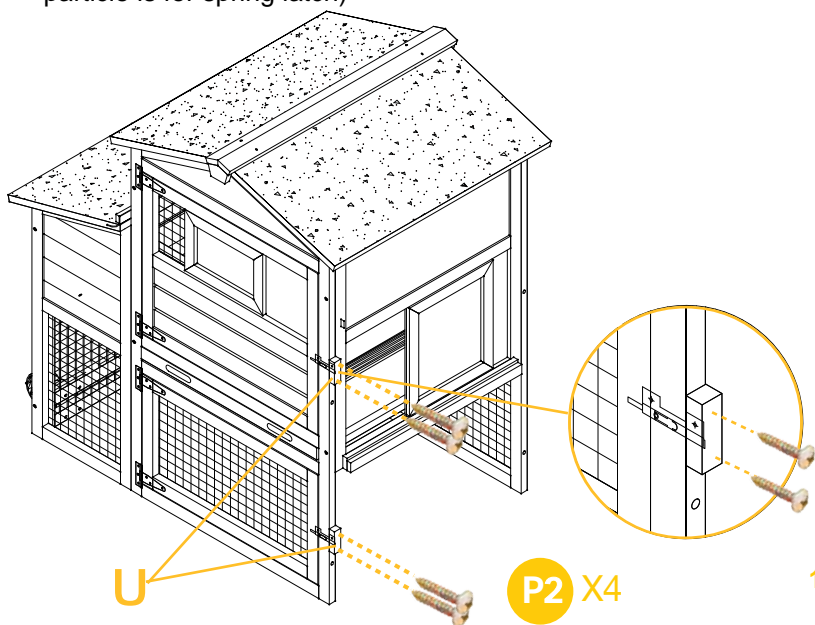


PRODUCT ASSEMBLY

18 Attach the front panel Part A, the back panel Part B to Part D & C by 8xP3 screws.

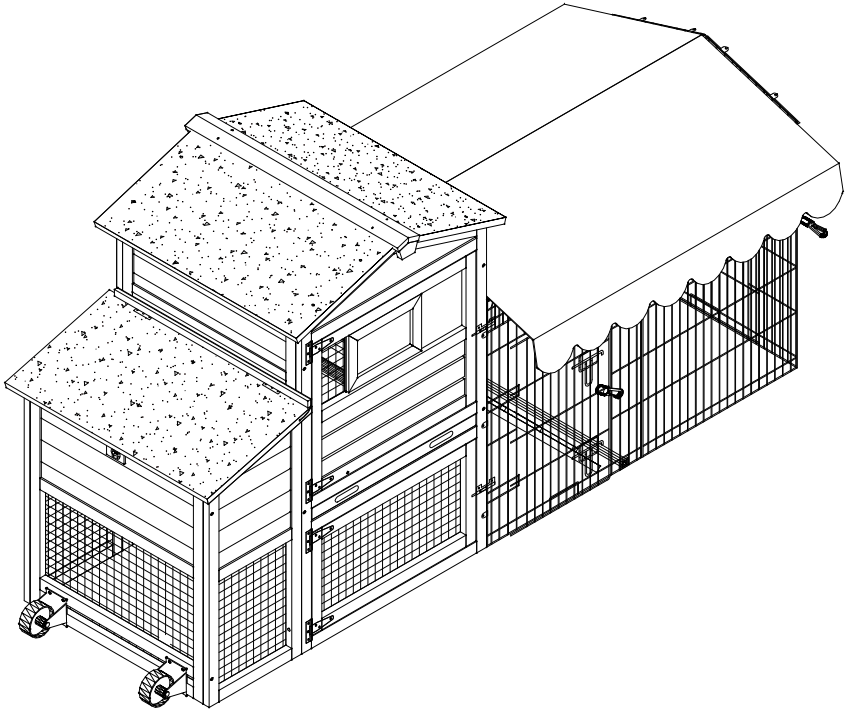


19 Repeat the same assembly ways from step 2-step11.
Attach the wood particle Part U by 4xP2 screws. (Notice: this wood particle is for spring latch)



PRODUCT ASSEMBLY //

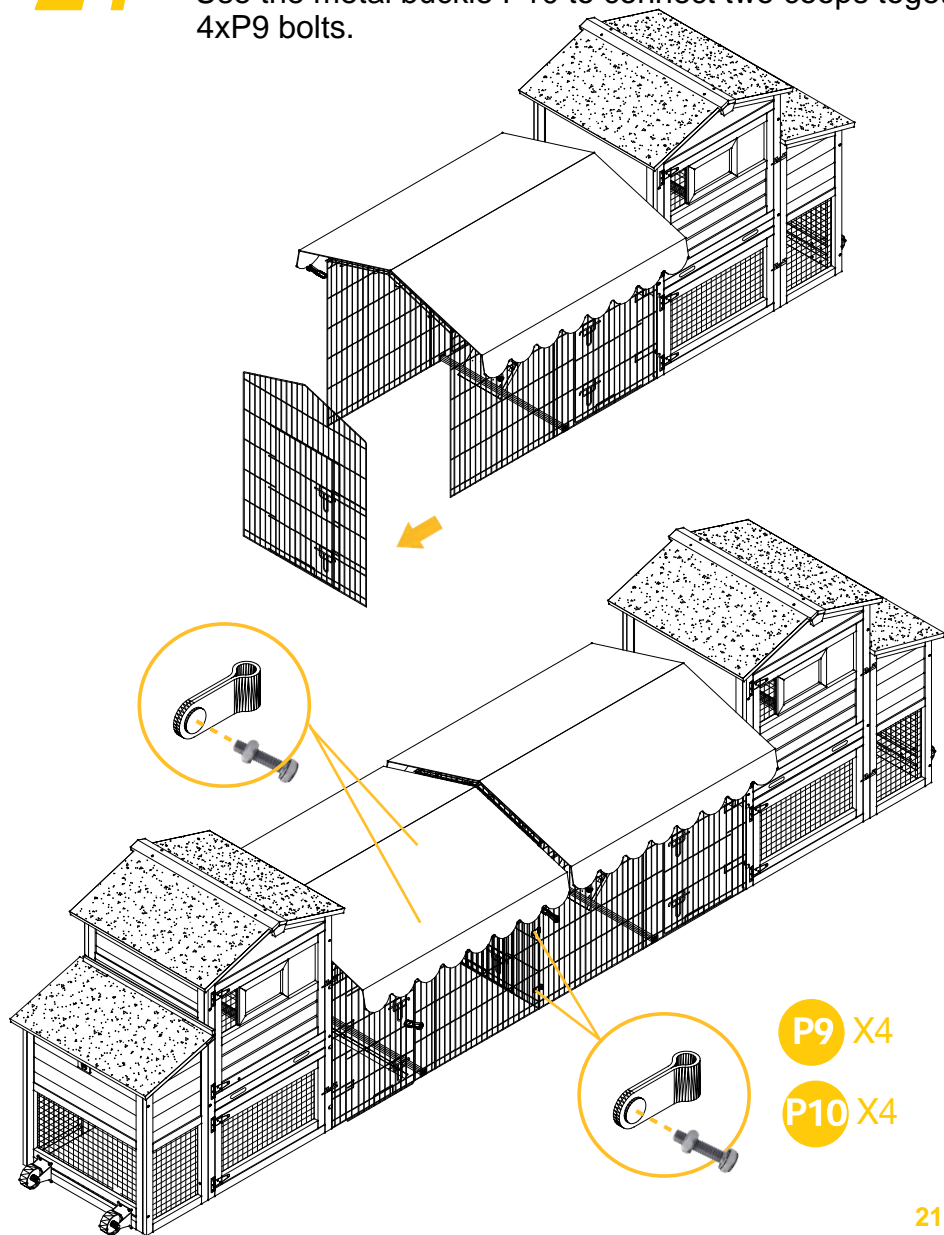
20 Repeat the same assembly ways from step 12-step17.



PRODUCT ASSEMBLY

21

Take off the side panel of the second coop.
Use the metal buckle P10 to connect two coops together by
4xP9 bolts.





WARNING

Manufacturer and seller expressly disclaim any and all liability for personal injury, property damage or loss, whether direct, indirect, or incidental, resulting from the incorrect attachment, improper use, inadequate maintenance, or neglect of this product.