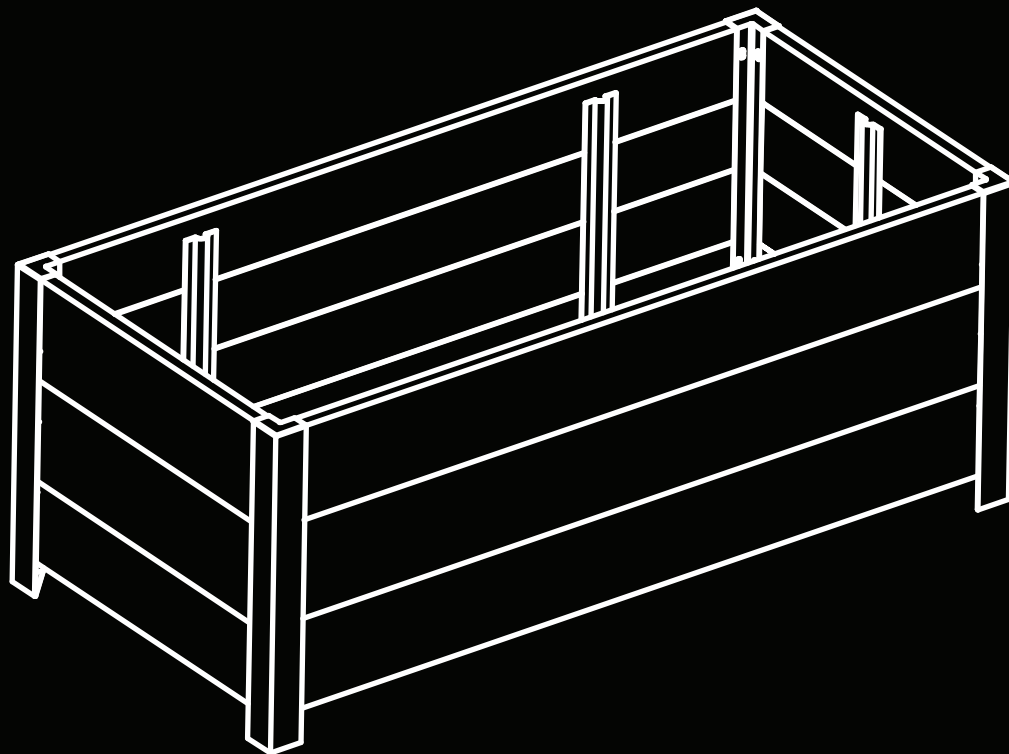


RECTANGULAR RAISED
GARDEN BED WITH LEG 1
RPB1-16-01



INTRUCTION MANUAL

Caution

Please be aware that there are sharp edges in metal panels, screws, and wood splinters that may cause injury. The use of protective equipment such as gloves and closed-toe shoes is recommended.

Before First Use

Check the product for transport damages. Remove all the packing materials. Danger: Risk of suffocation! Keep any packaging materials away from children.

Made in Vietnam

Wood Raised Garden Bed Material

- Super Heat Reflection: Maintain optimal soil temperature.
- Healthy Soil: No harmful substance leaching
- Green Material: Recyclable wood material



About Our Wood

Our products use 50% recycled wood. Although we take great care in selecting the best quality lumber available, wood is still a product of nature and susceptible to weathering which can change the appearance of your set.

What causes weathering?

One of the main reasons for weathering is the effects of water (moisture); the moisture content of the wood at the surface is different than the interior of the wood. As the climate changes, moisture moves in or out of the wood, causing tension which can result in checking and or warping. You can expect the following due to weathering. These changes will not affect the strength of the product:

1. Checking is surface cracks in the wood along the grain.
2. Warping results from any distortion (twisting, cupping) from the original plane of the board and often happens from rapid wetting and drying of the wood.
3. Fading happens as a natural change in the wood color as it is exposed to sunlight and will turn grey over time.

How can I reduce the amount of weathering in my products?

Sunlight will break down the wood or coating, and applying a water repellent or stain yearly is important maintenance. (see your local stain and paint supplier for a recommended product)

What Kind of Finish?

We applied 100% water-based non-voc coating to all of our wooden products, to maintain a chair that is with a healthy finish.

Specifications

Net weight: approx 19.8 lbs (9kg)

Dimensions (WxHxD): approx 37.0x12.6x15.96in

! Notice

(If this product is passed to a third party, then these instructions must be included)

- Confirm all parts are present before assembly. If any part is missing, cracked, or damaged, please contact our customer service before assembly.

! WARNING: This package contains small parts and is a choking hazard, keep away from children and pets.

- Edges may be sharp - Assemble with caution and wear gloves during assembly.

- Do not stand on or use any part of this item as a step ladder.

- Fasten screws loosely during initial assembly. Do not firm-tighten the screws until the item is completely assembled.

- Do not use or store this item in the proximity of open flame or flammable/combustible chemicals.

- Firmly secure all bolts, screws, and knobs before use.

- Do not use this item in a way inconsistent with the manufacturer's instructions as this could void the product warranty.

- The warnings, cautions, and instructions in this manual cannot cover all possible conditions or situations that could occur. Exercise common sense and caution when using this product.

- Always be aware of the environment and ensure that the product is used in a safely and responsibly manner.

- This item is made of wood and may expand due to moisture.

- A competent adult must assemble this product.




- Due to the natural characteristics of timber, it is vital to check your playframe regularly for splintering, lifting of surface layers of wood to exposure of rough wood. Affected areas must be rubbed down using coarse sandpaper to restore a smooth, safe surface.

- In high winds, moved to a sheltered position.






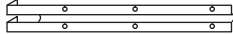
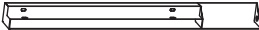

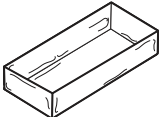
Hello DIY Lovers,

I know how excited you are to roll up your sleeves and get to work right away, but taking a few seconds to read me can save you some installation time. I swear it only takes about 10 minutes as long as you follow the instructions exactly and the gravity where you live is still working.

Don't worry, follow these simple instructions and you'll come back to your lover in no time.

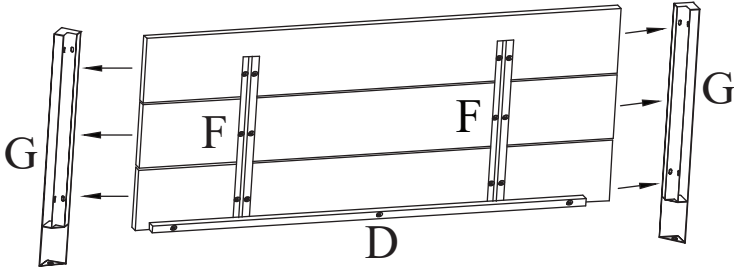
 Estimated time for assembly 20:00	 1 person assembly	Tools Required  <i>(Not Included- optional)</i> Phillips screwdriver
---	---	---

Packing List

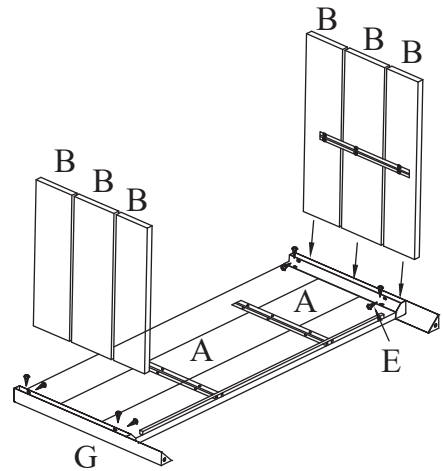
A  Long panel 6 pcs	B  Short panel 6 pcs	C  Bottom panel 11 pcs	D  Support I 2 pcs	
E  Screw M4x15mm 18 pcs	F  Support II 6 pcs	G  Leg 4 pcs	H  Screw M4x30mm 10 pcs	I  Lining 1 pc

LET'S GET STARTED!

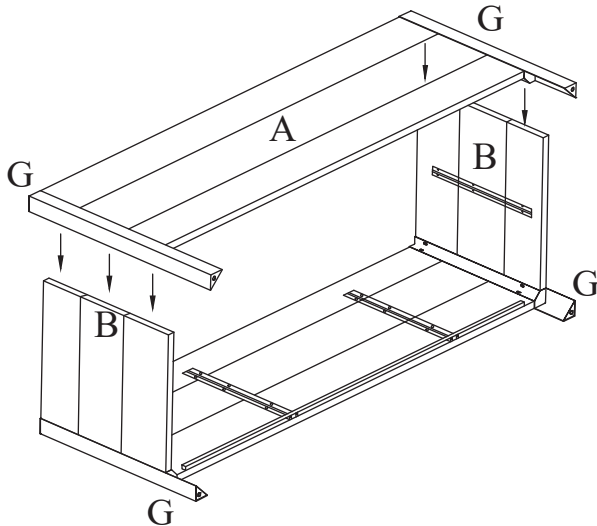
1



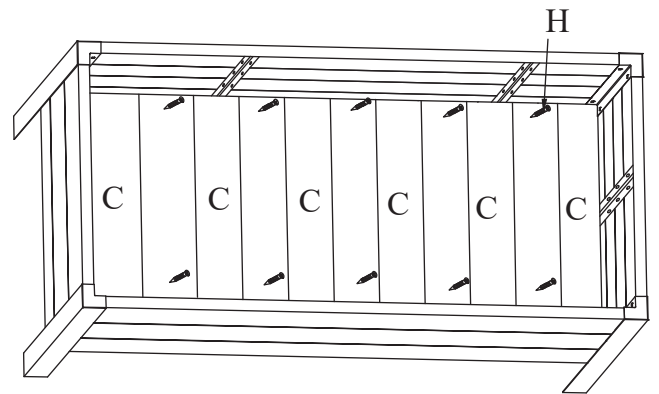
2



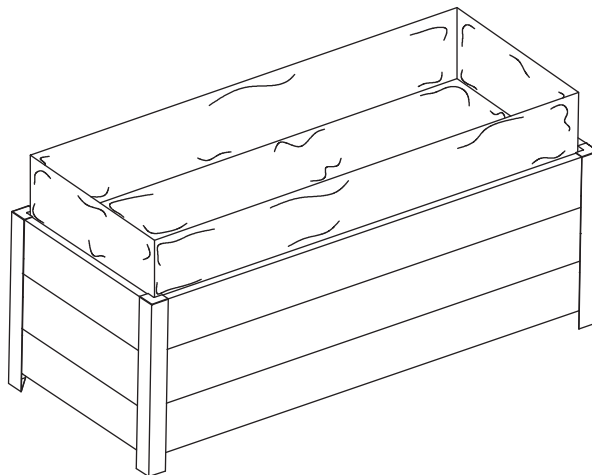
3



4



5



“Ta-da!” You've done a good job!
Order a celebratory pizza, you deserve it!
... Oh. I think your lover is waiting for you.

Planting Tips



- Add water every couple of days when plants are small/young. Increases daily watering as the plants mature.
- For best results use a strip of common, dry, granular fertilizer or plant food for vegetables.
- Do not overcrowd the planter. This product does not include a fertilizer strip.

- Select a sunny spot with a minimum of 8 hours of daily sunshine for warm-season crops such as tomatoes, pepper, and eggplant. Select a partial shade for cool-season crops such as lettuce, spinach, and arugula.
- Do not use compost for growing media that contains rock, clay, sand, or topsoil.
- Tall plants (tomatoes, cucumbers, eggplant, etc) and vines require support as they grow. Stakes or small cages can be inserted into the planter to support these plants as they mature.



Cleaning and Maintenance

Cleaning

- To clean the product, wipe with a soft, slightly moist cloth.
- Pressure cleaners can be used for cleaning.
- Never use corrosive detergents, wire brushes, abrasive scourers, or metal or sharp utensils to clean the product.

Maintenance

- Regularly check that all the components and fasteners are tightened.
- Avoid any vibrations and shocks.

HELP CENTER

Warranty

- All items can be returned within 30 days of the receipt and will receive a full refund as long as the item is returned in its original product packaging and all accessories from its original shipment are included. Including original production defects, assembly broken, and parts missing. All returned items will receive a full refund back to the original payment method. All returned items will not be charged a re-stocking fee.
- Please take pictures of where the problems happen and send them to us for After-sales Claim
- We're here to help 7D/24H (as soon as we receive your contact through store message, we will give the best resolution the very first time)
- Pictures may be required for some returns to ensure an item is not damaged prior to return. Items returned are not considered undamaged until they are received by us and verified. All damaged items are the customer's responsibility until the item has been received by and acknowledged by us as undamaged.

Remind

Please read the assemble guide carefully before you start the setup, an electric drill might be applied, and adult labor is required to spend 20-30 minutes to finish the assemble, just follow the steps to put them together, and don't screw too tight or too loose. Manufacturer's warranty may not apply in all cases, depending on factors such as the use of the product, where the product was purchased, or who you purchased the product from. Please review the warranty carefully, and contact the manufacturer if you have any questions.

Hope you will have interesting experiences with our wood-raised garden bed with legs.

If you satisfy with the product, please leave a review/feedback on our store so that others can benefit our excellent products from ours.

Manufacturer and seller expressly disclaim any and all liability for personal injury, property damage, or loss, whether direct, indirect, or incidental, resulting from the incorrect attachment, improper use, inadequate maintenance, or neglect of this product.