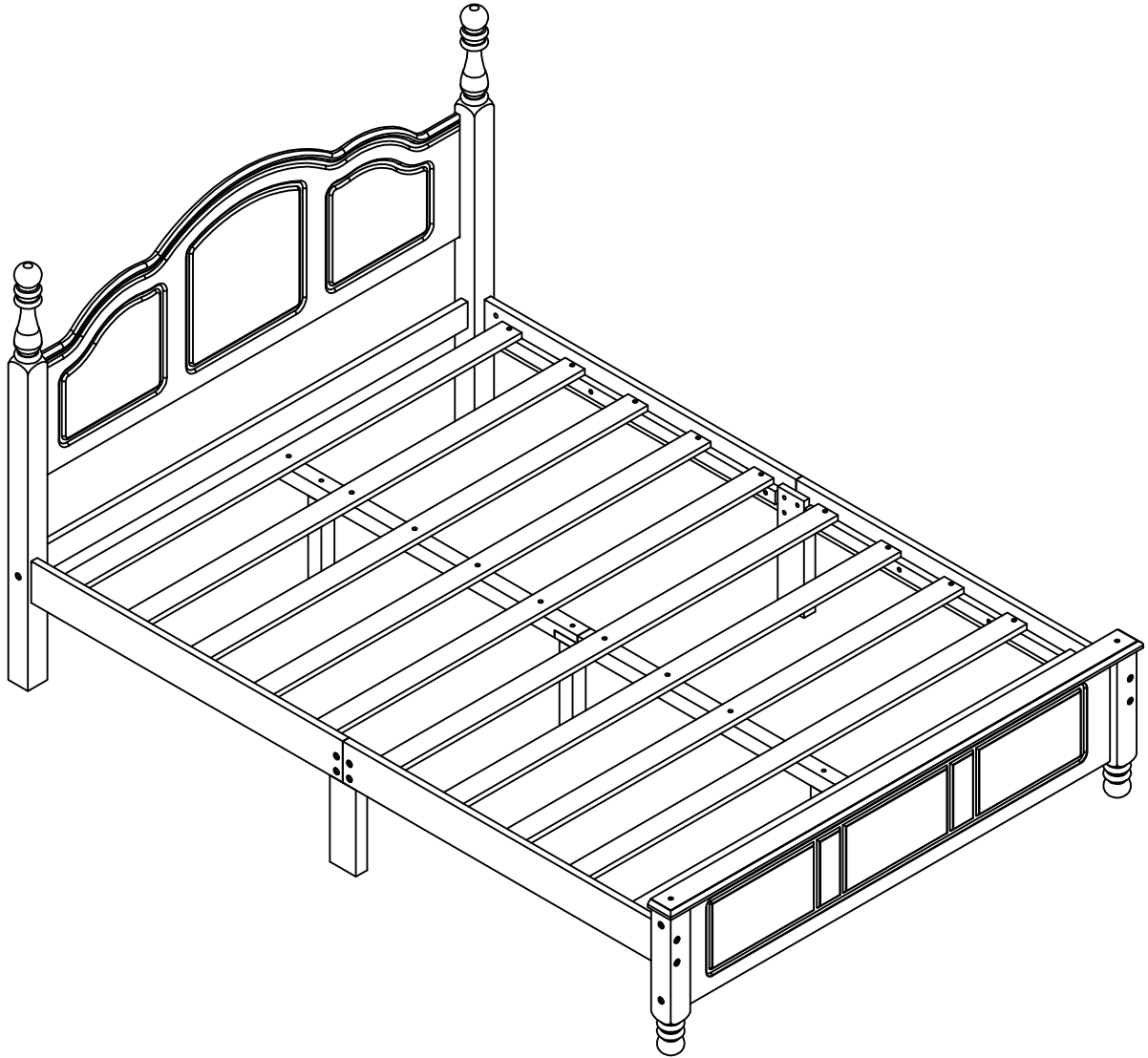
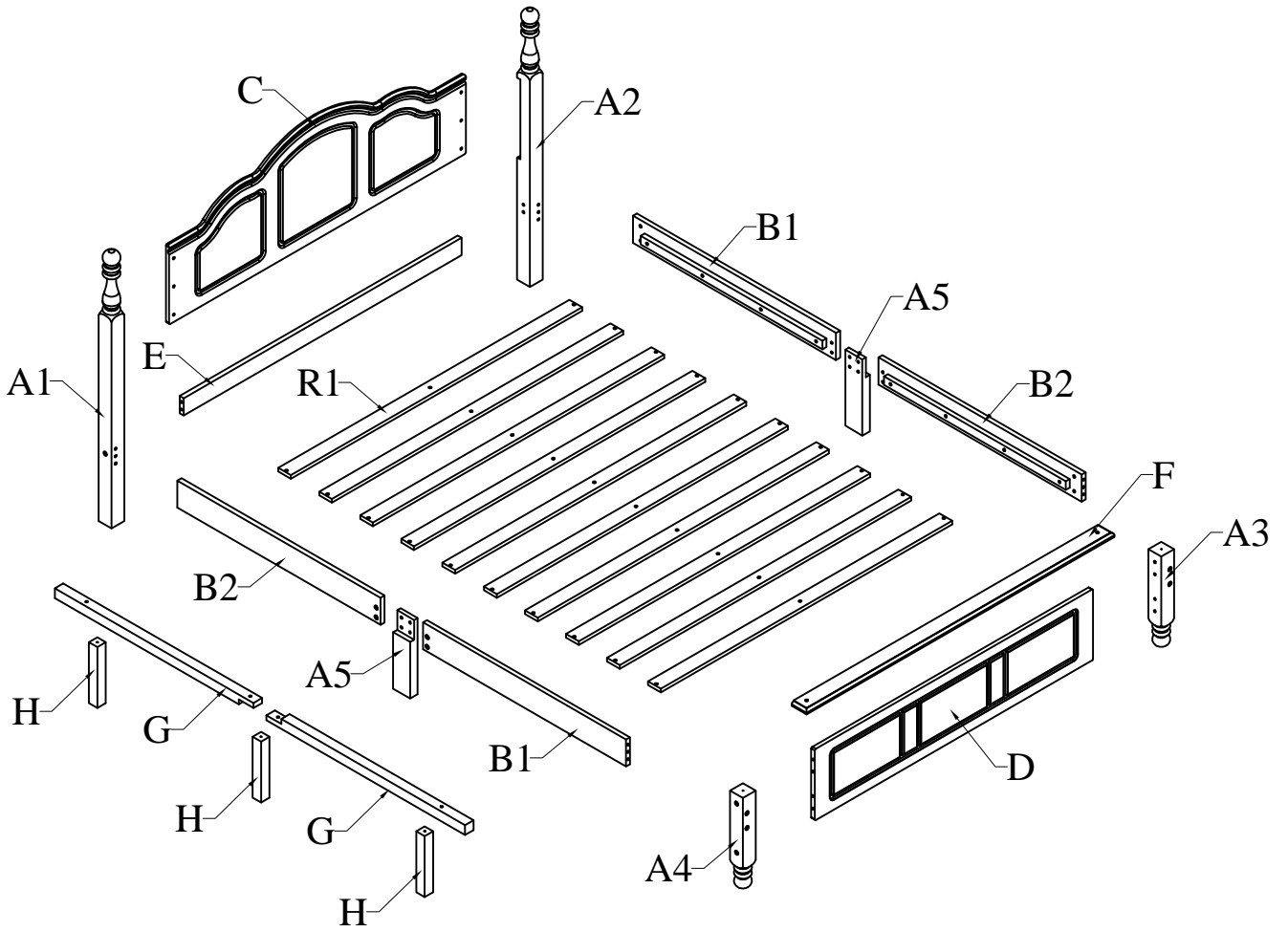




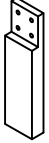
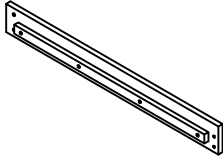
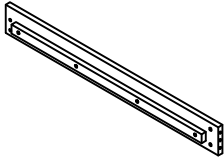
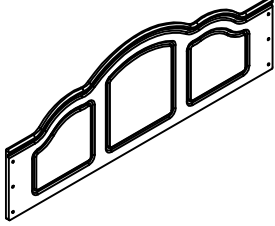
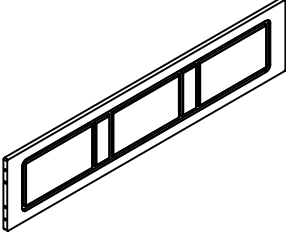
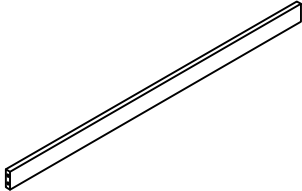
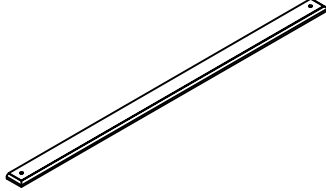
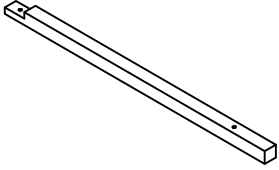
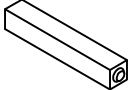
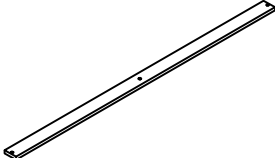


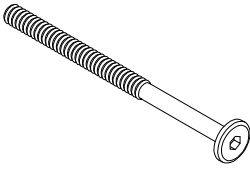


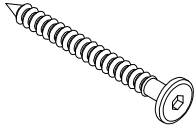
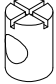

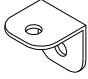
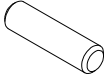
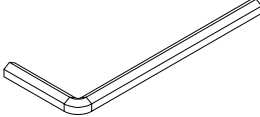
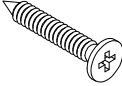
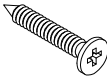

ASSEMBLY INSTRUCTIONS



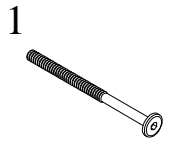
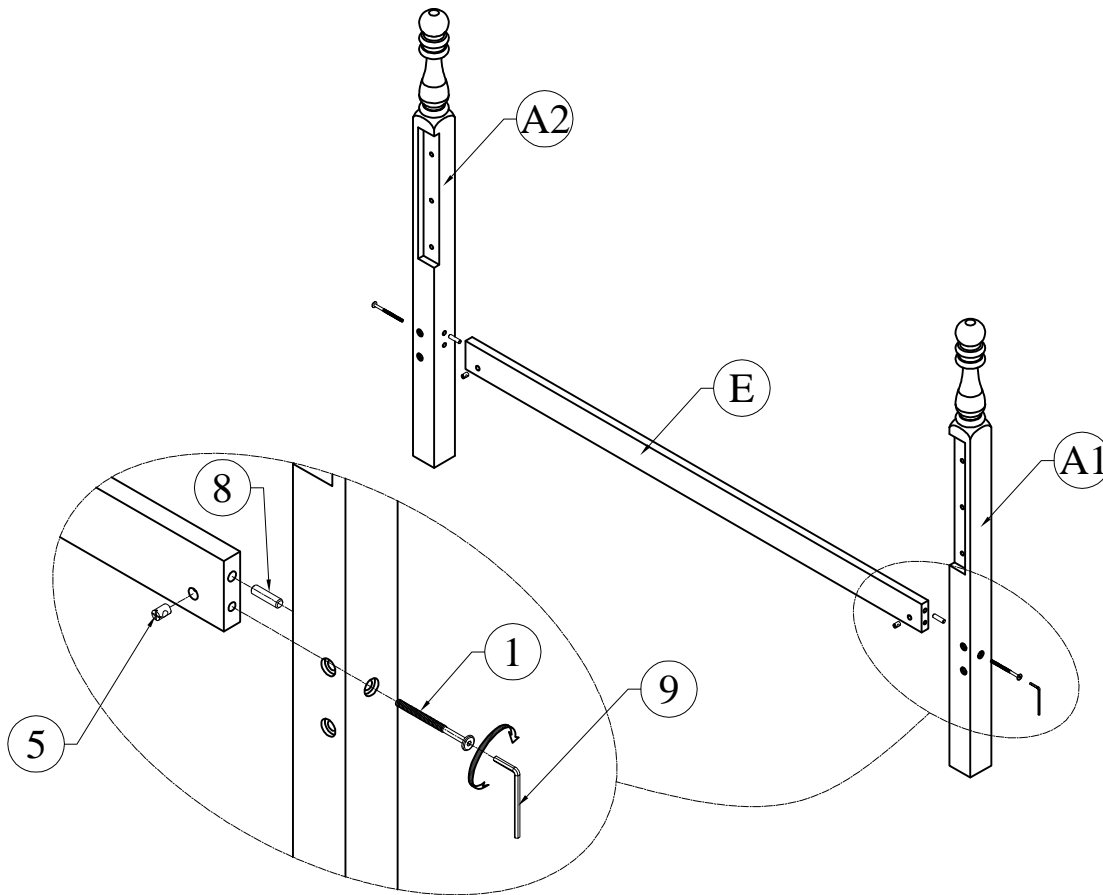
DETAIL VIEW



<p>A1</p>  <p>Front - left (1pc)</p>	<p>A2</p>  <p>Back leg - left (1pc)</p>	<p>A3</p>  <p>Back leg - right (1pc)</p>	<p>A4</p>  <p>Front leg - right (1pc)</p>
<p>A5</p>  <p>Middle leg (2pcs)</p>	<p>B1</p>  <p>Side rail - left (2pcs)</p>	<p>B2</p>  <p>Side rail - right (2pcs)</p>	<p>C</p>  <p>Headboard panel (1pc)</p>
<p>D</p>  <p>Footboard panel (1pc)</p>	<p>E</p>  <p>Horizontal rail (1pc)</p>	<p>F</p>  <p>Top back rail (1pc)</p>	<p>G</p>  <p>Support slats (2pcs)</p>
<p>H</p>  <p>Extra leg (3pcs)</p>	<p>R1</p>  <p>Slats (10pcs)</p>		

<p>1</p>  <p>Hex - Head bolts Ø1/4" * 110- 14pcs</p>	<p>2</p>  <p>Hex - Head bolts Ø1/4" * 35- 6pcs</p>	<p>3</p>  <p>Hex - Head bolts Ø1/4" * 25- 8pcs</p>	<p>4</p>  <p>Hexagonal bolts catch wood Ø6 * 70 - 3pcs</p>
<p>5</p>  <p>Horizontal - Hold bolts Ø1/4" - 14pcs</p>	<p>6</p>  <p>Canopy head though Ø1/4" - 8pcs</p>	<p>7</p>  <p>L - Bracket - 1pc</p>	<p>8</p>  <p>Wood dowel Ø8 * 30 - 8pcs</p>
<p>9</p>  <p>Allen key K4 - 2pcs</p>	<p>10</p>  <p>Wood crews M4 * 40 - 2pcs</p>	<p>11</p>  <p>Wood crews M4 * 30 - 30pcs</p>	<p>12</p>  <p>Wood crews M3.5 * 15 - 2pcs</p>

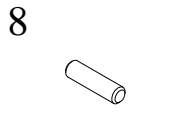
STEP 1



Hex - Head bolts
Ø1/4" * 110- 2pcs

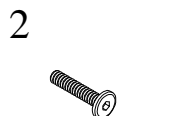
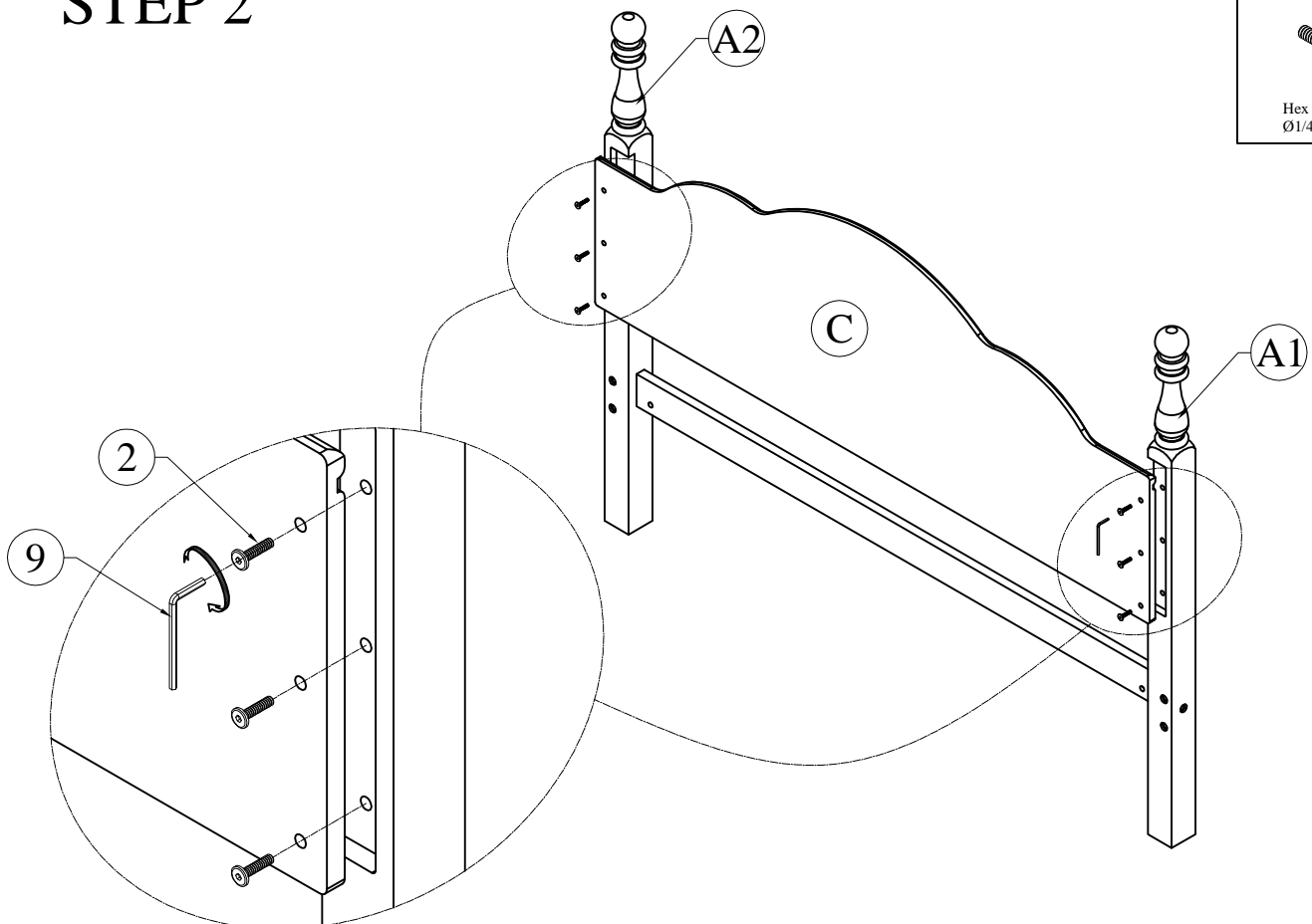


Horizontal - Hold bolts
Ø1/4" - 2pcs



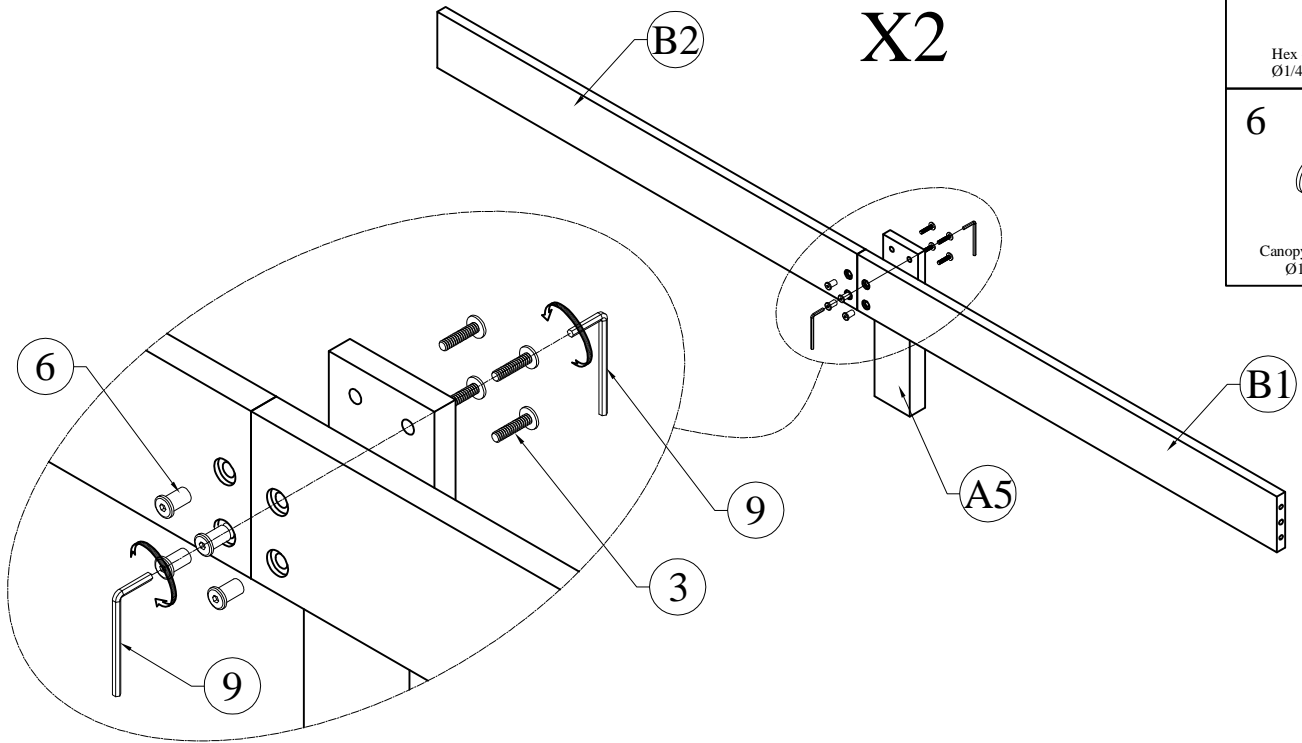
Wood dowel
Ø8 * 30 - 2pcs

STEP 2



Hex - Head bolts
Ø1/4" * 35- 6pcs

STEP 3



3



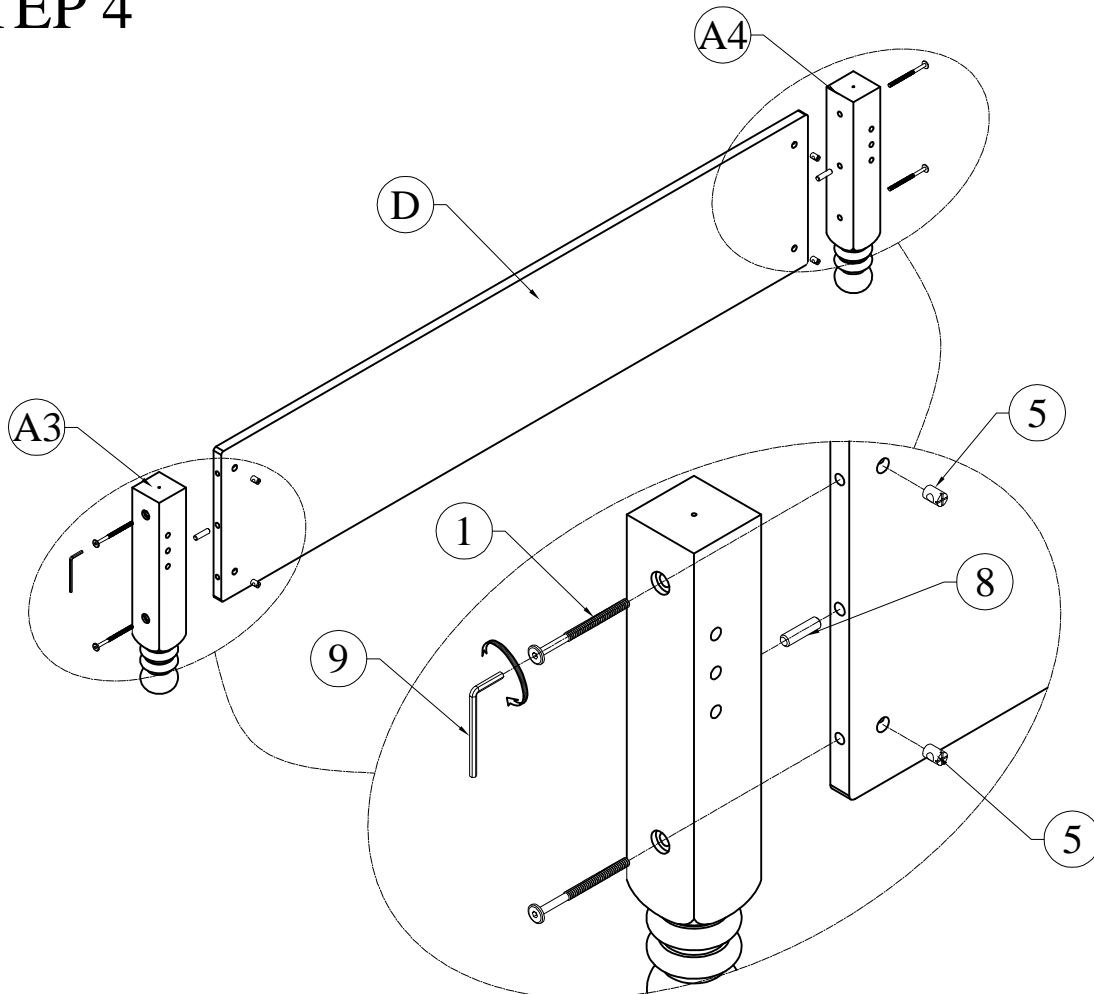
Hex - Head bolts
Ø1/4" * 25- 8pcs

6

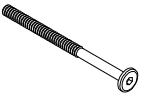


Canopy head though
Ø1/4" - 8pcs

STEP 4



1



Hex - Head bolts
Ø1/4" * 110- 4pcs

5



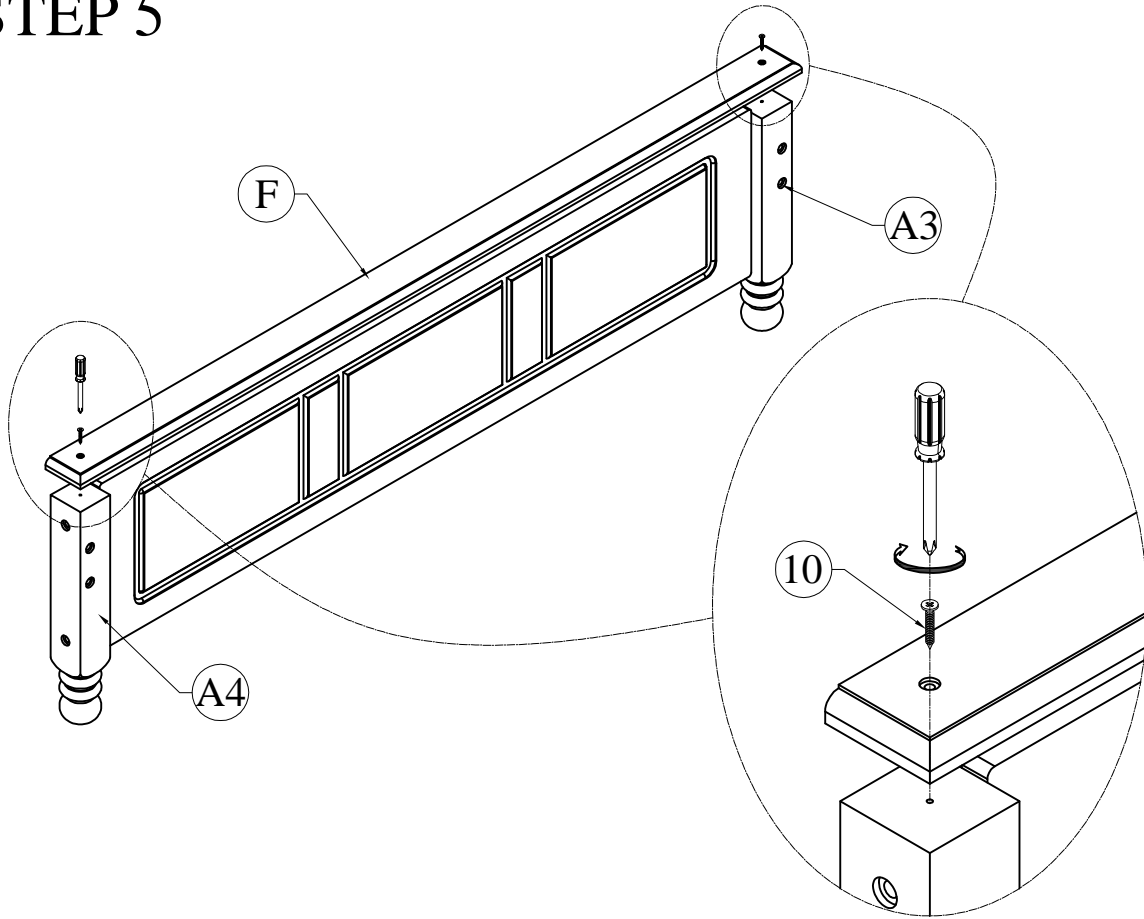
Horizontal - Hold bolts
Ø1/4" - 2pcs

8



Wood dowel
Ø8 * 30 - 2pcs

STEP 5

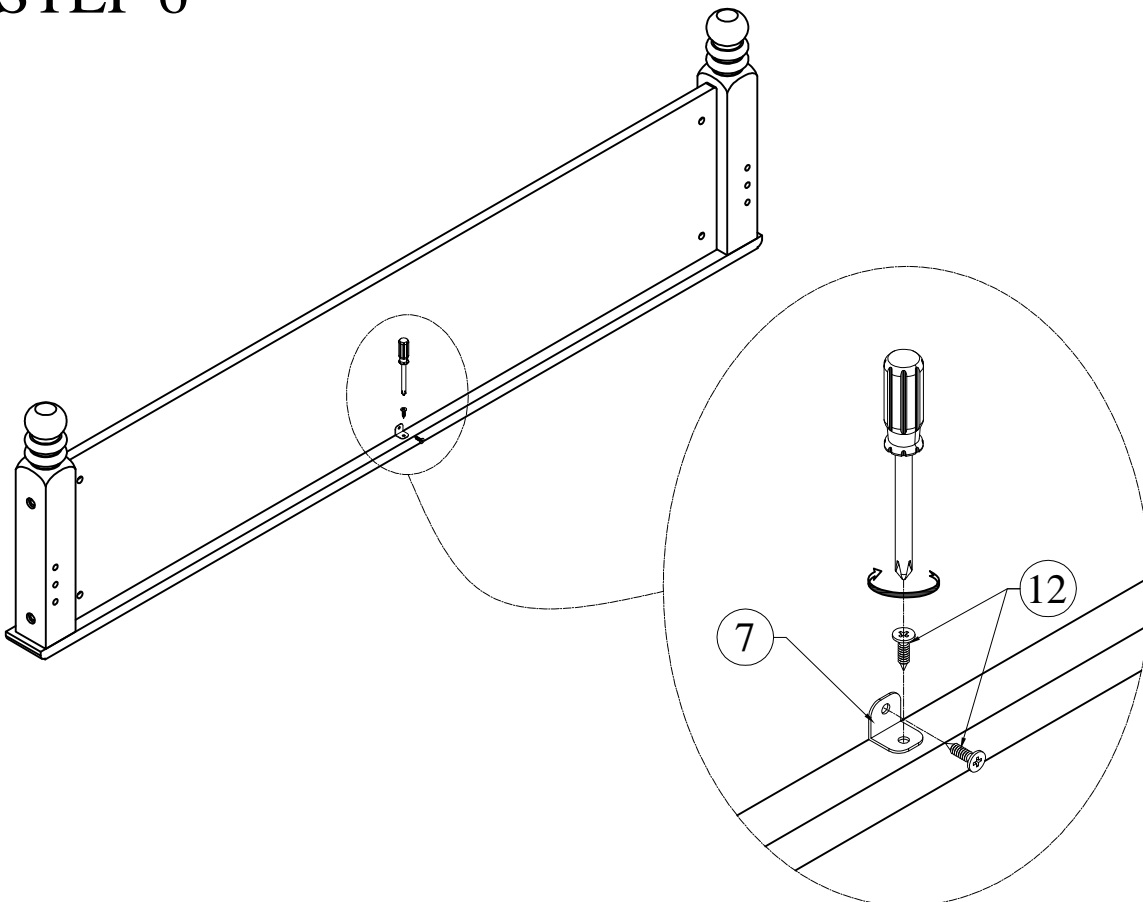


10



Wood crews
M4 * 40 - 2pcs

STEP 6



7



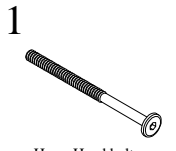
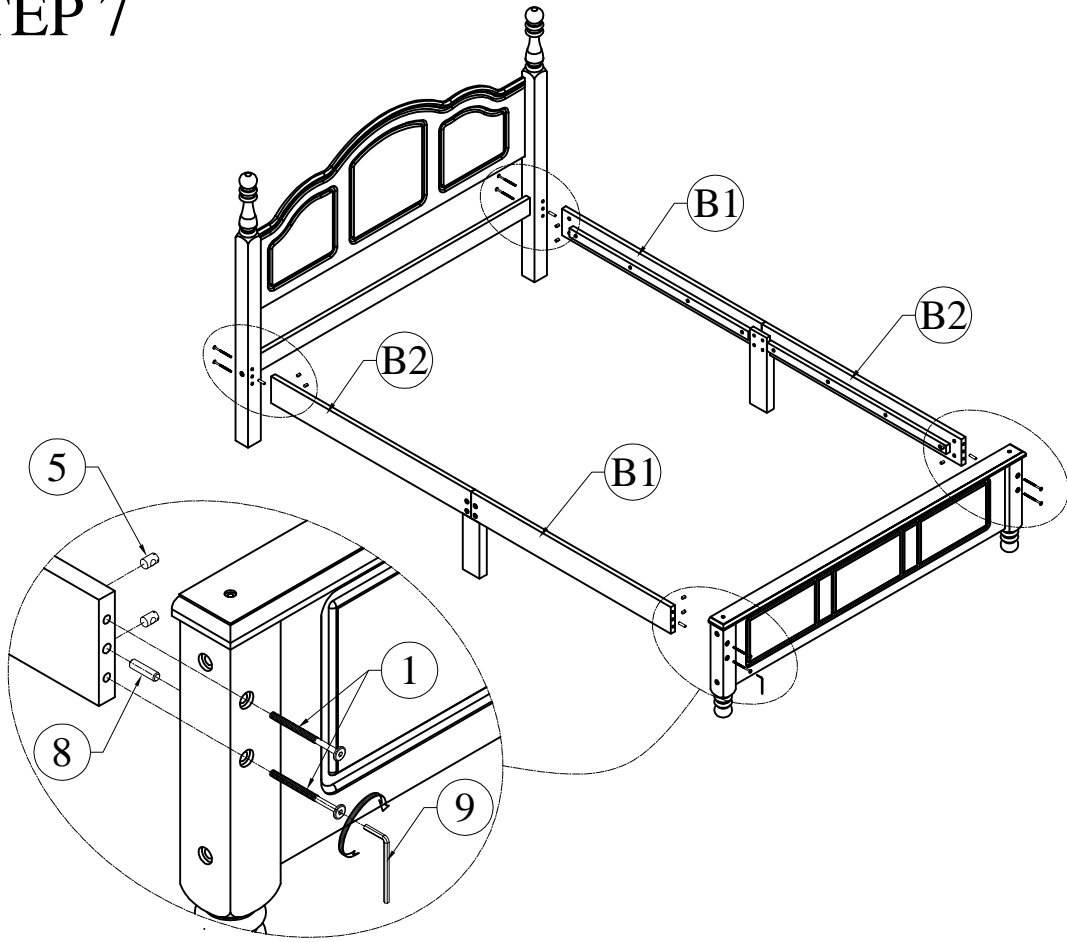
L - Bracket - 1pc

12

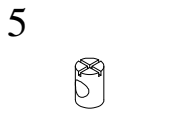


Wood crews
M3.5 * 15 - 2pcs

STEP 7



Hex - Head bolts
Ø1/4" * 110 - 8pcs

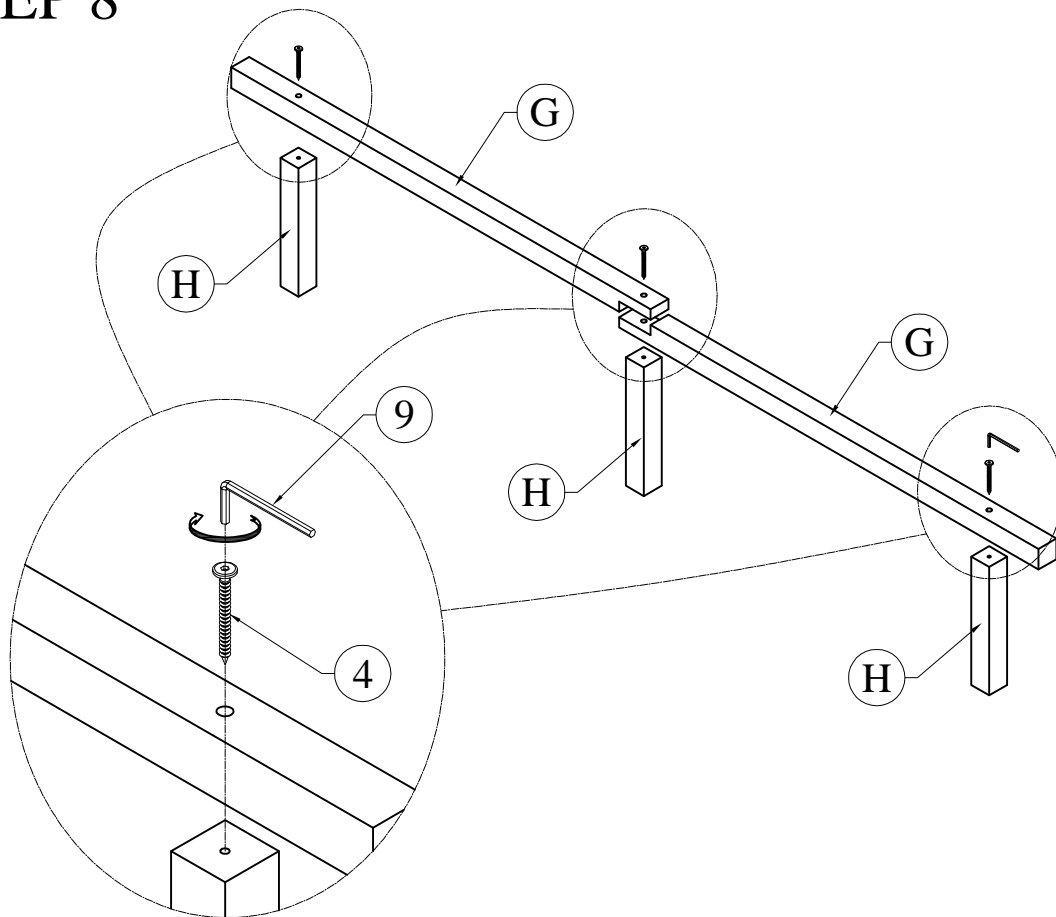


Horizontal - Hold bolts
Ø1/4" - 8pcs



Wood dowel
Ø8 * 30 - 4pcs

STEP 8



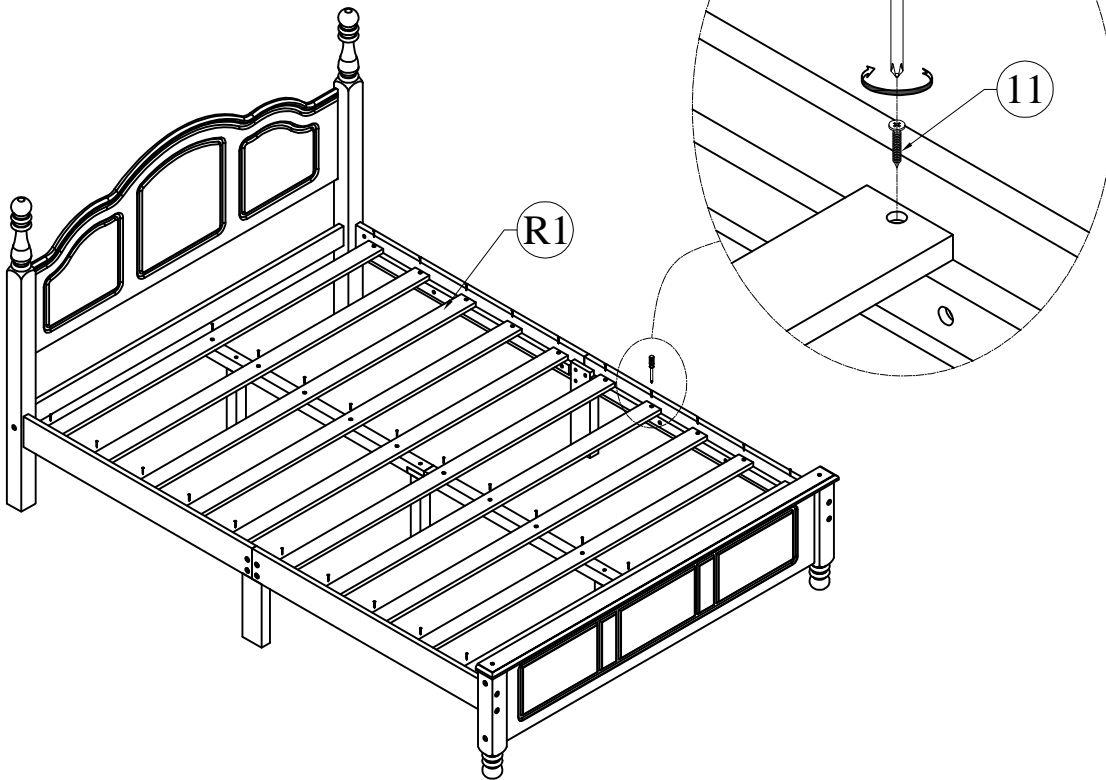
Hexagonal bolts catch wood
Ø6 * 70 - 3pcs

STEP 9

11



Wood screws
M4 x 11 - 30pcs



COMPLETED

