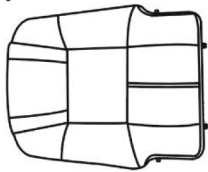
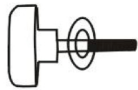


ASSEMBLY INSTRUCTION

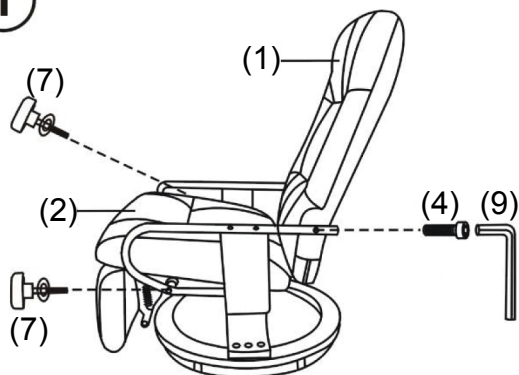
(1)X1



(7)X2



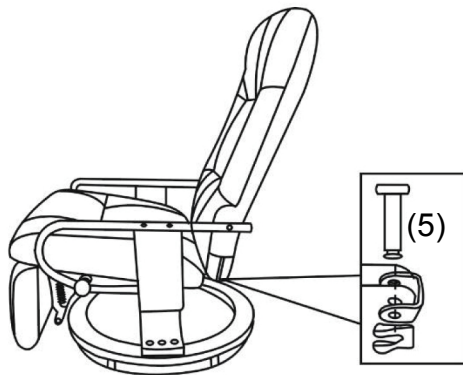
①



(1) (2) (4) (7) (9)

Diagram 1: Attaching the backrest (1) to the chair frame. Two screws (7) are used to secure the backrest to the frame. A screwdriver (9) is used to tighten the screws. A screw (4) is also shown, which is used in a later step.

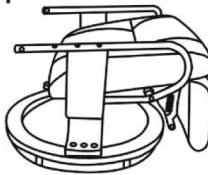
②




(5)

Diagram 2: Attaching the armrest (5) to the chair frame. A screwdriver (9) is used to tighten the screws.


(2)X1




(8)X1



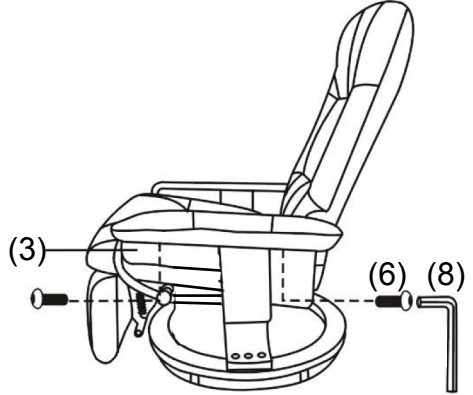
(3)X1RX1L



(9)X1



③



(3) (6) (8)

Diagram 3: Attaching the seat (3) to the chair frame. Two screws (6) are used to secure the seat to the frame. A screwdriver (8) is used to tighten the screws.

⑤

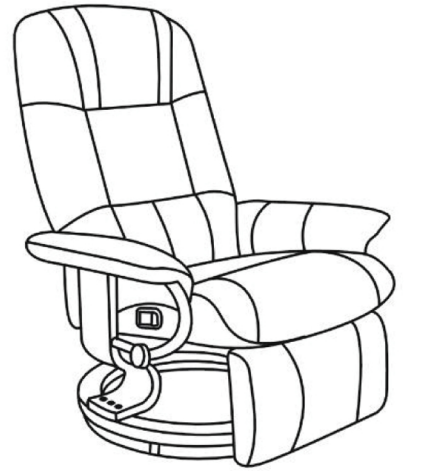




Diagram 5: Final assembly of the chair, showing the backrest, armrest, and seat attached to the frame.

(4)X2



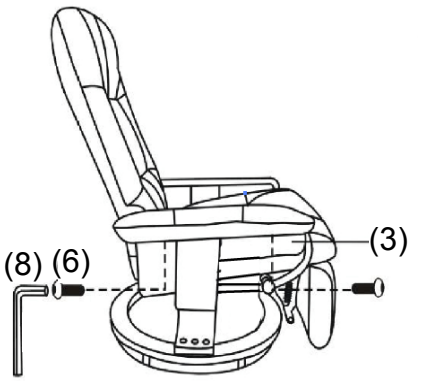
(5)X2



(6)X4



④



(8) (6) (3)

Diagram 4: Attaching the base (8) to the chair frame. Two screws (6) are used to secure the base to the frame. A screwdriver (8) is used to tighten the screws. The seat (3) is also shown attached to the frame.