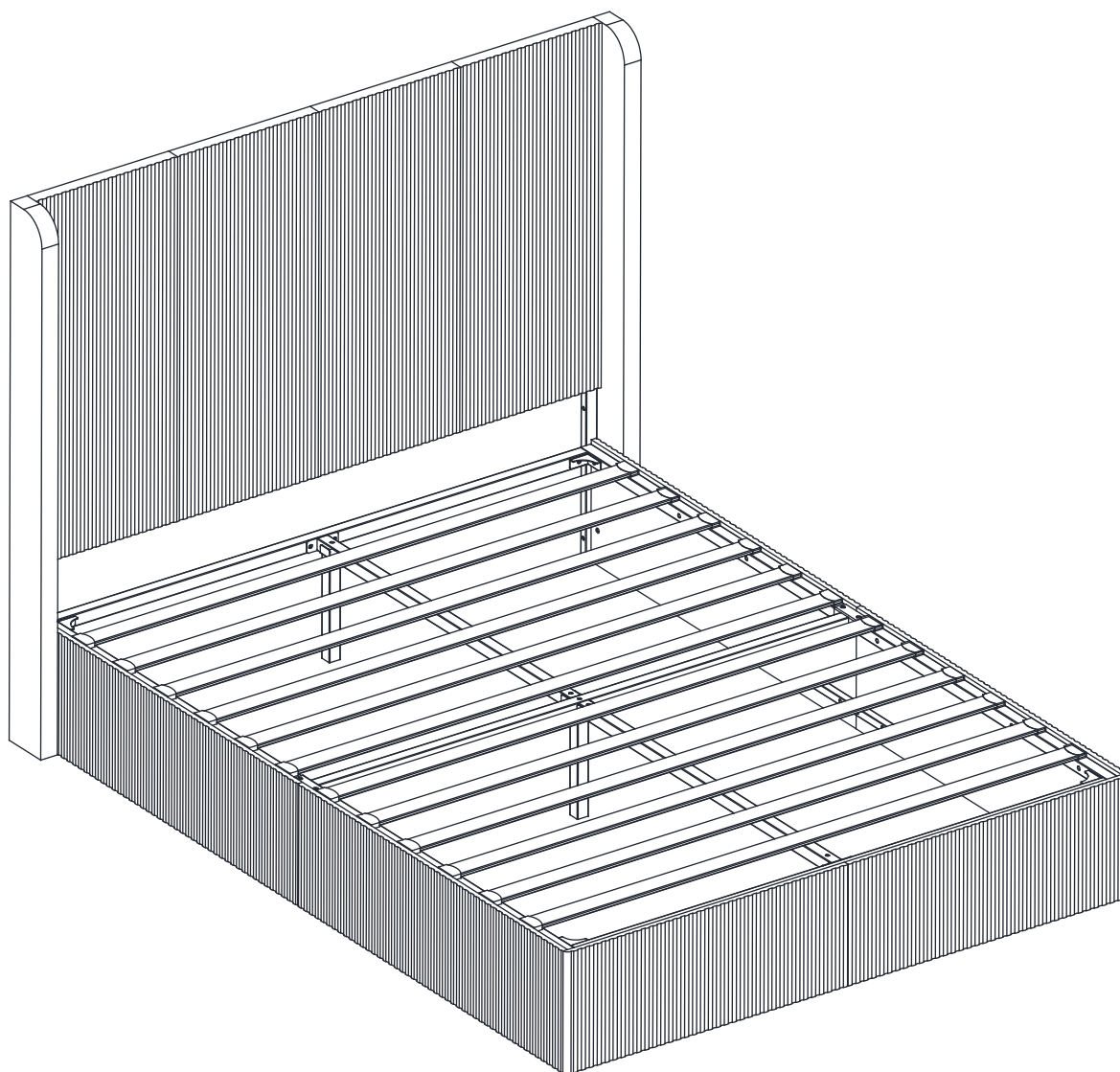


Assembly Instruction



General Guidelines

- Please read the following instructions carefully and use the product accordingly.
- Please keep this manual and hand it over when you transfer the product.
- This summary may not include every detail of all variations and considered steps. Please contact us if further information or assistance is needed.

Notes

- The product is intended for indoor use only. It must be assembled and used as described in this manual. Personal injury or damage to the product may occur if the product is used outside of its intended purpose or if it has been changed/modified from its original design. The seller does not assume any responsibility or liability for injury or damage caused by incorrect assembly or improper use.
- Avoid long-term exposure to humid environments to prevent mildew.
- Keep the product away from fire sources and high temperatures. Do not expose the product to direct sunlight.
- Do not place any hot objects on the surface of the product.
- If there are any defective or missing parts after unpacking, please cease assembly immediately and contact us.
- Assemble the item on a spacious surface and avoid placing the unwrapped product directly on the ground to prevent damage.
- Do not stand or sit on the wooden boards.
- Wear gloves during the assembly and/or disassembly process to avoid scratches from any sharp edges.
- Match each part and fitting based on the part number in the manual.
- If a part does not match the fitting, please check the manual for clarification.
- During assembly, first loosely align all screws with the corresponding pre-drilled holes, then tighten them one by one.
- Periodically inspect the screw tightness while the product is in use. Retighten if necessary to ensure structural integrity.
- If you accidentally spill water or any other liquid on the surface, immediately wipe it clean with a dry towel.
- Keep the product away from sharp, pointed objects and corrosive substances to prevent damage.
- Place the item on level, solid ground during use.

Warnings

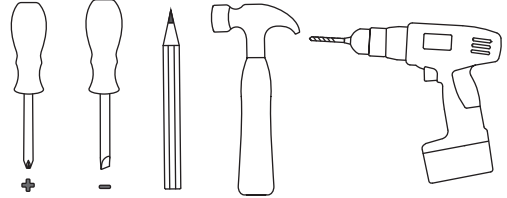
- During assembly, keep all small parts out of the reach of children, as they may be fatal if swallowed or inhaled.
- Children should not climb or play on the product to avoid tipping over and causing serious injury.
- To avoid the potential danger of suffocation, keep all packaging materials (film, plastic bags, foam, etc.) away from babies and children.
- Do not shake or move the product violently during use to avoid tipping over.

REMINDERS

- Please feel free to contact us by email if you have any questions or concern.
We will reply you within 24 hours.

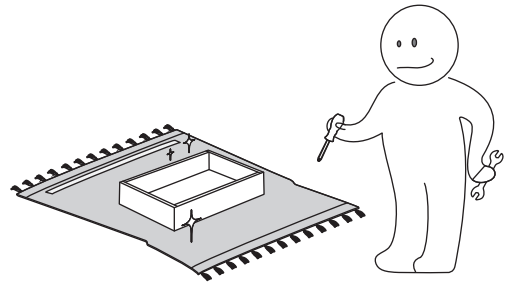
Required Tools

Having these tools ready will make your assembly much easier and efficient.



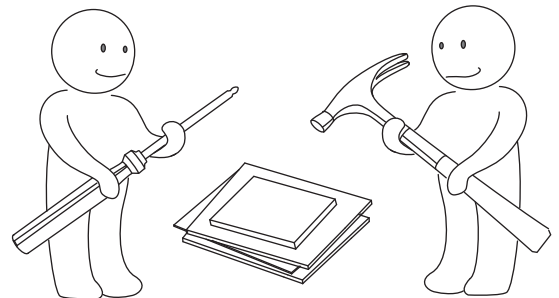
Safe assembly

Assemble the item on a clean flat surface.



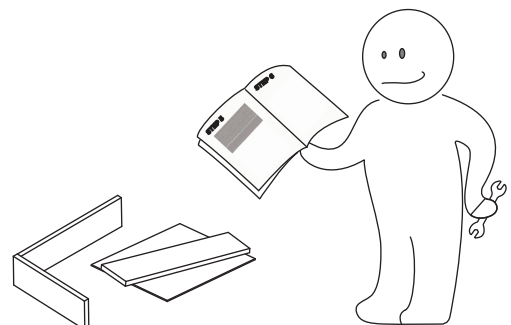
Teamwork

Two or more persons are needed for assembly.

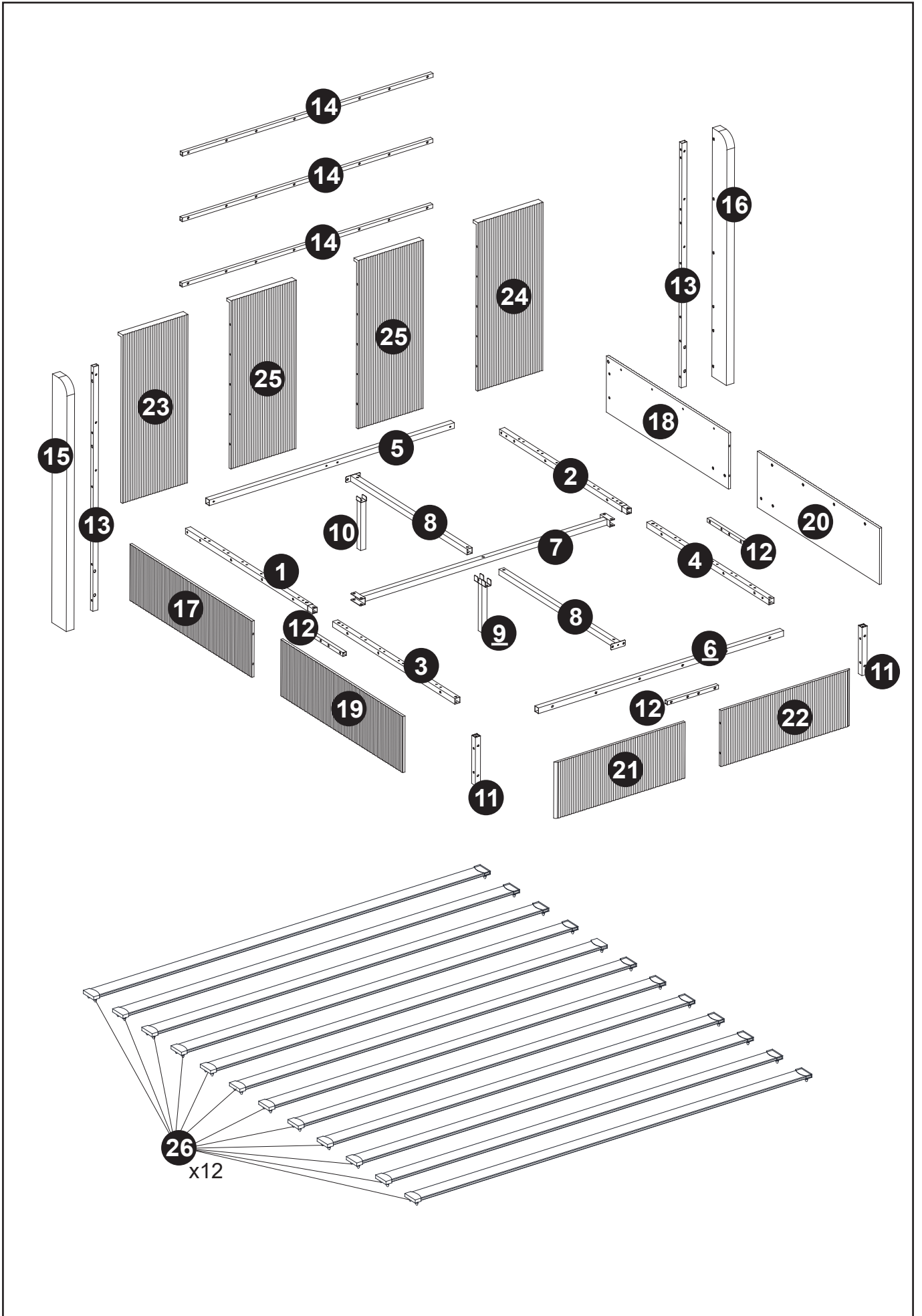


Read

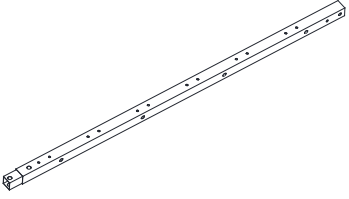
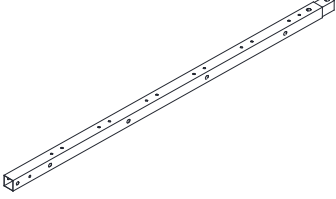
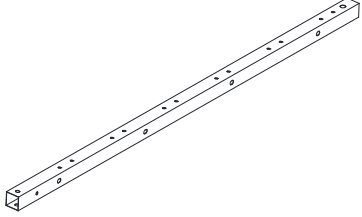
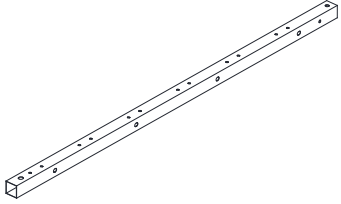
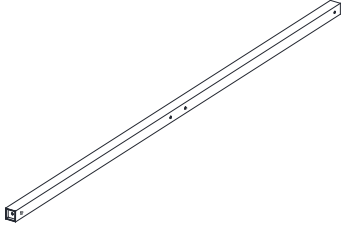
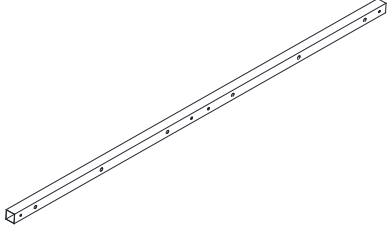
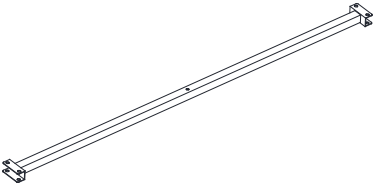
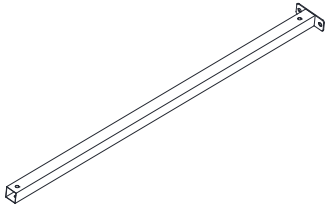
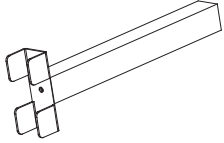
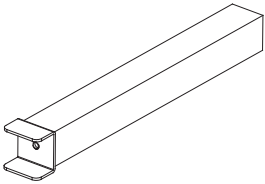
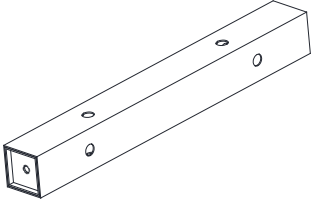
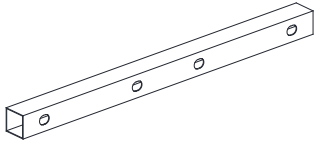
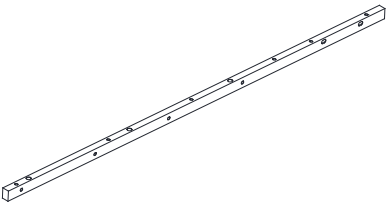
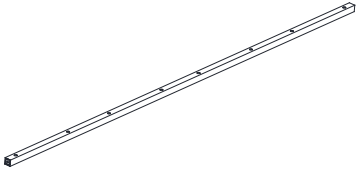
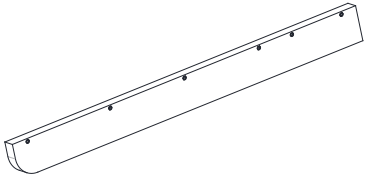
Read the instructions before operating and keep it properly.



EXPLODED

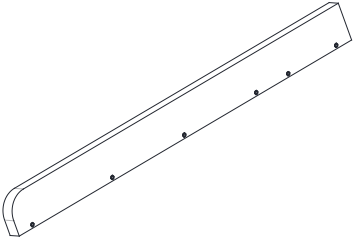


PARTS LISTS

1  1PC	2  1PC	3  1PC
4  1PC	5  1PC	6  1PC
7  1PC	8  2PCS	9  1PC
10  1PC	11  2PCS	12  3PCS
13  2PCS	14  3PCS	15  1PC

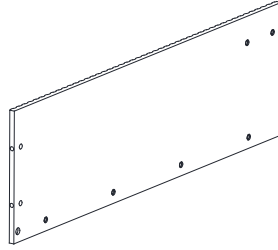
PARTS LISTS

16



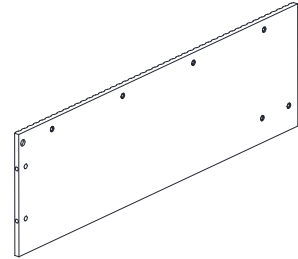
1PC

17



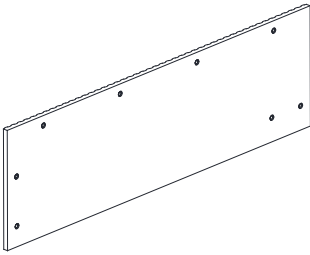
1PC

18



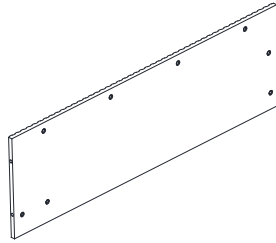
1PC

19



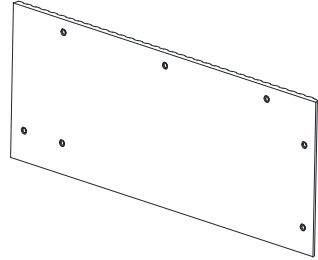
1PC

20



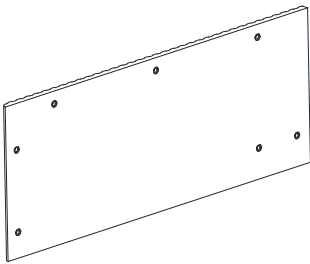
1PC

21



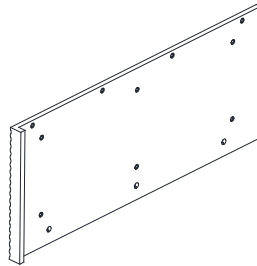
1PC

22



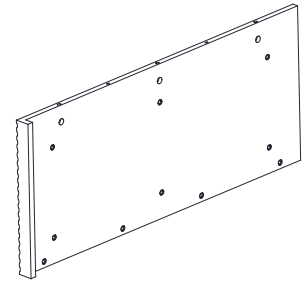
1PC

23



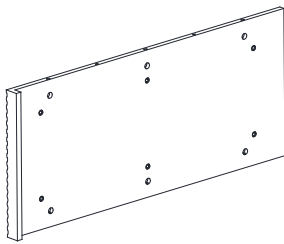
1PC

24



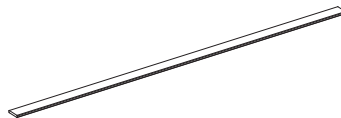
1PC

25



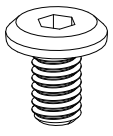
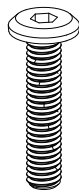
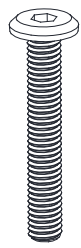

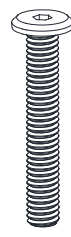

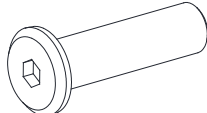
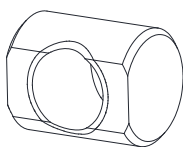
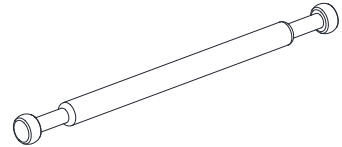
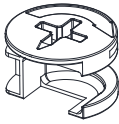
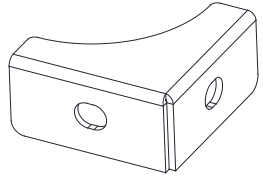
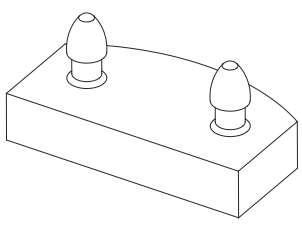
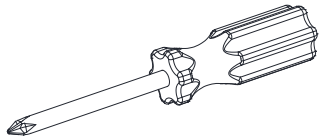

2PCS

26

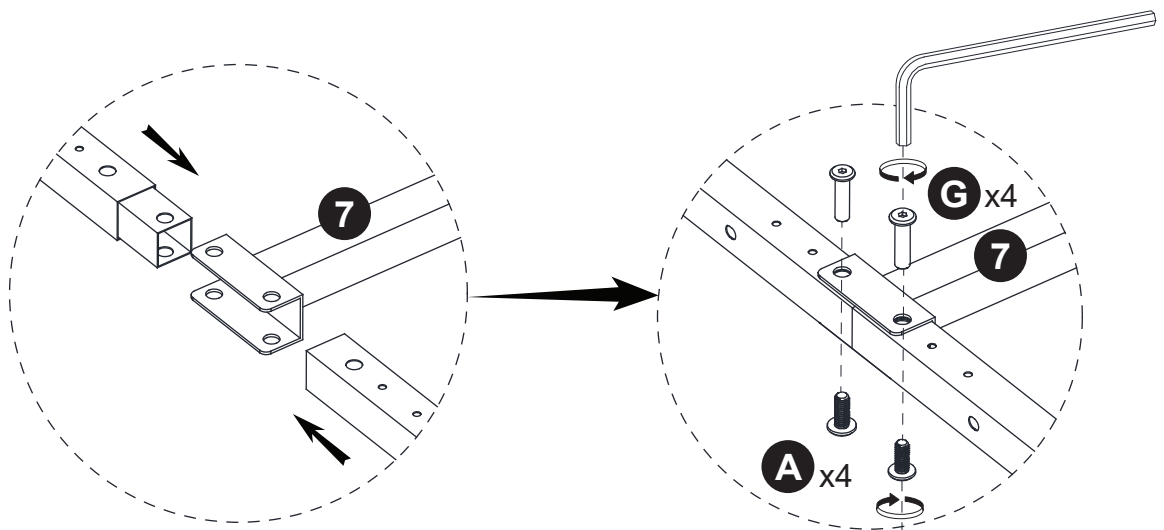
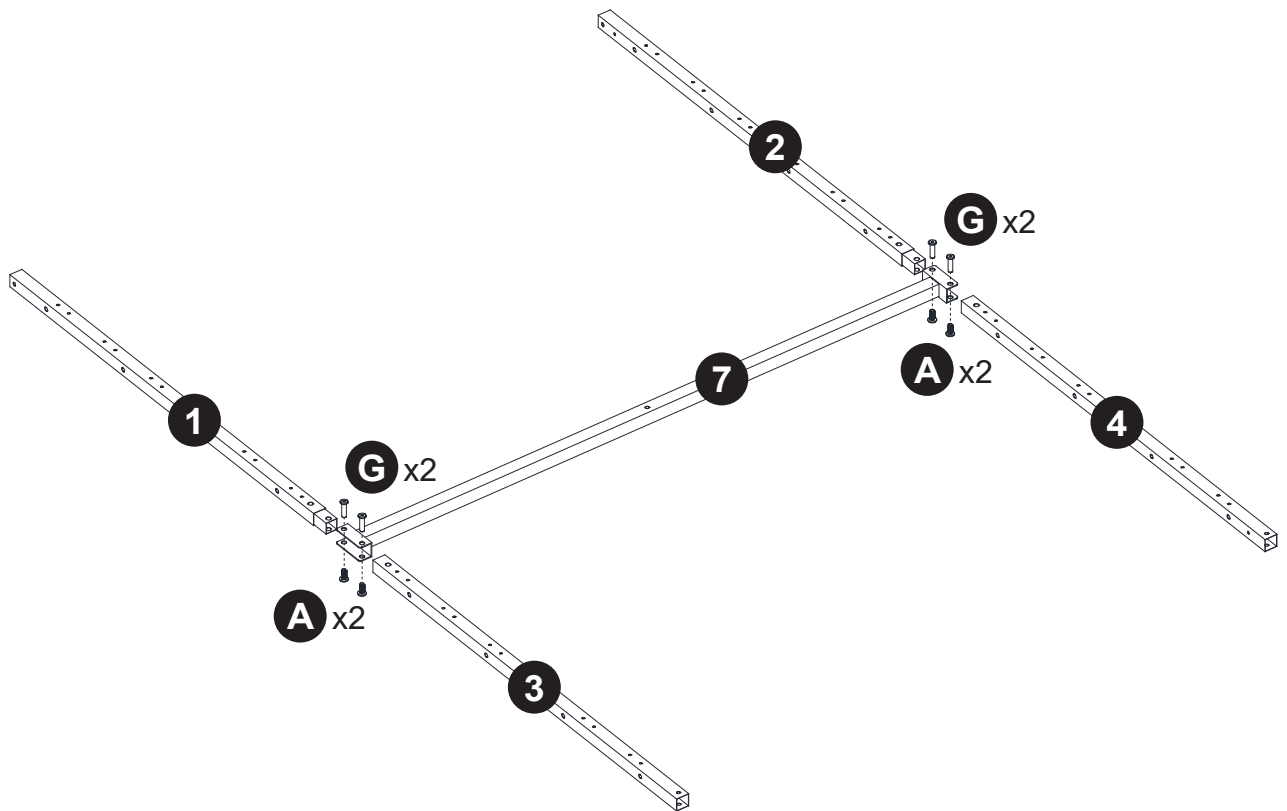


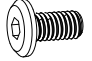
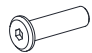

12PCS

HARDWARE LIST

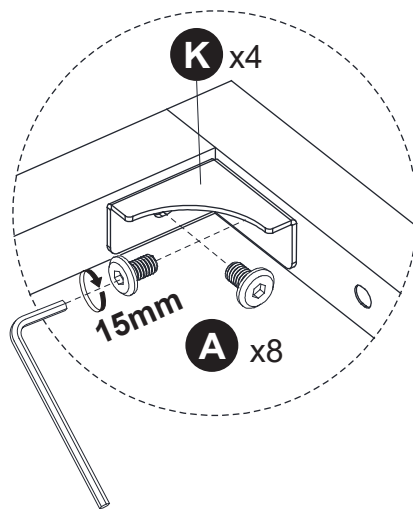
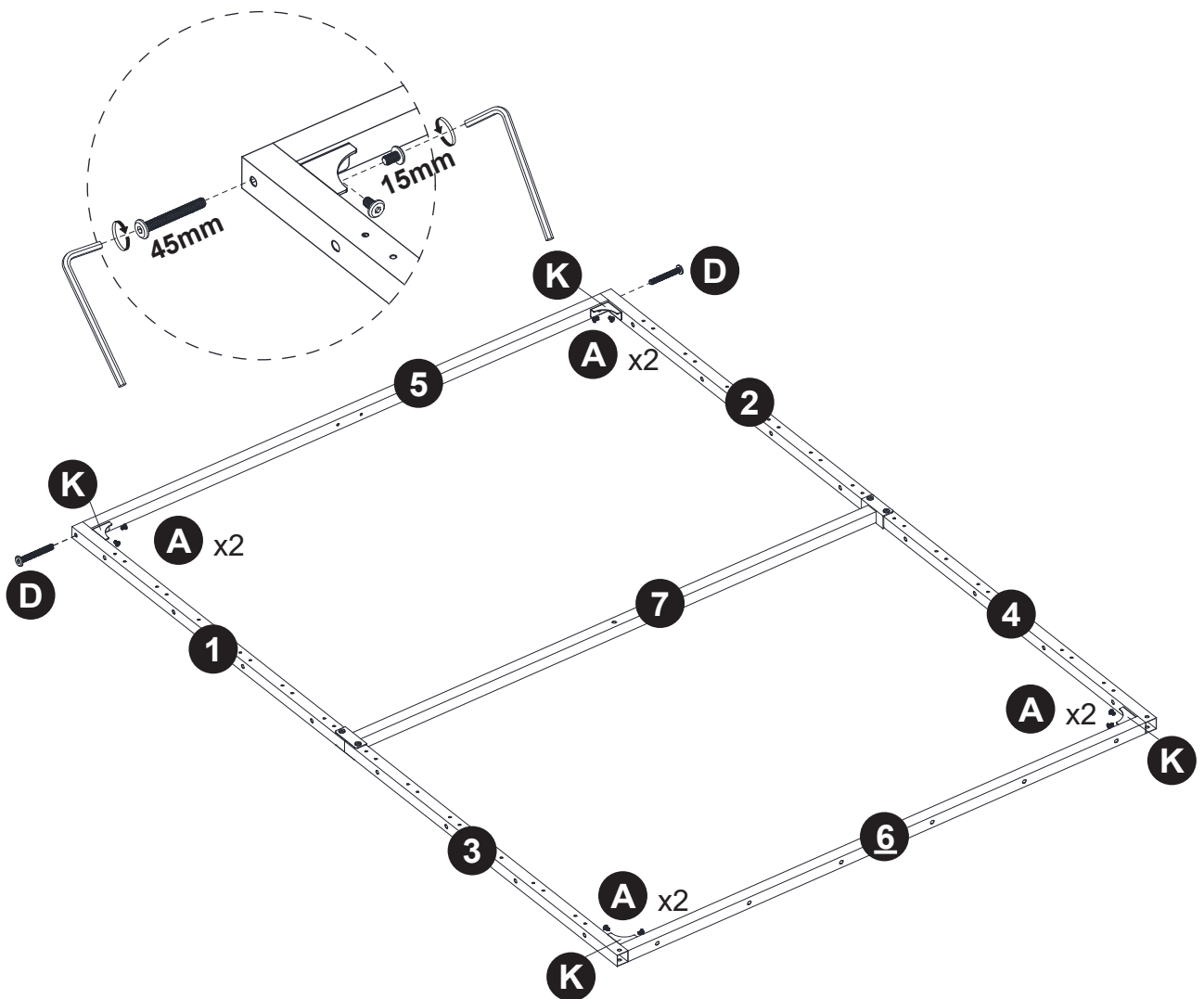
<p>A</p>  <p>M6*15mm 16+1PC</p>	<p>B</p>  <p>M6*28mm 50+2PCS</p>	<p>C</p>  <p>M6*38mm 46+2PCS</p>
<p>D</p>  <p>M6*45mm 4+1PC</p>	<p>E</p>  <p>M8*50mm 4+1PC</p>	<p>F</p>  <p>φ6*30mm 12+1PC</p>
<p>G</p>  <p>φ8*30mm 4+1PC</p>	<p>H</p>  <p>4+1PC</p>	<p>I</p>  <p>φ5*80mm 15+1PC</p>
<p>J</p>  <p>φ15*9.5mm 30+2PC</p>	<p>K</p>  <p>4PCS</p>	<p>L</p>  <p>24PCS</p>
<p>M</p>  <p>1PC</p>	<p>N</p>  <p>4mm 2PCS</p>	



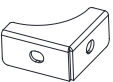

STEP 1



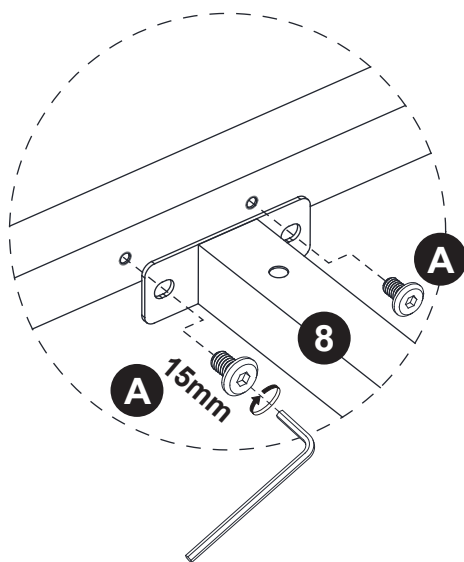
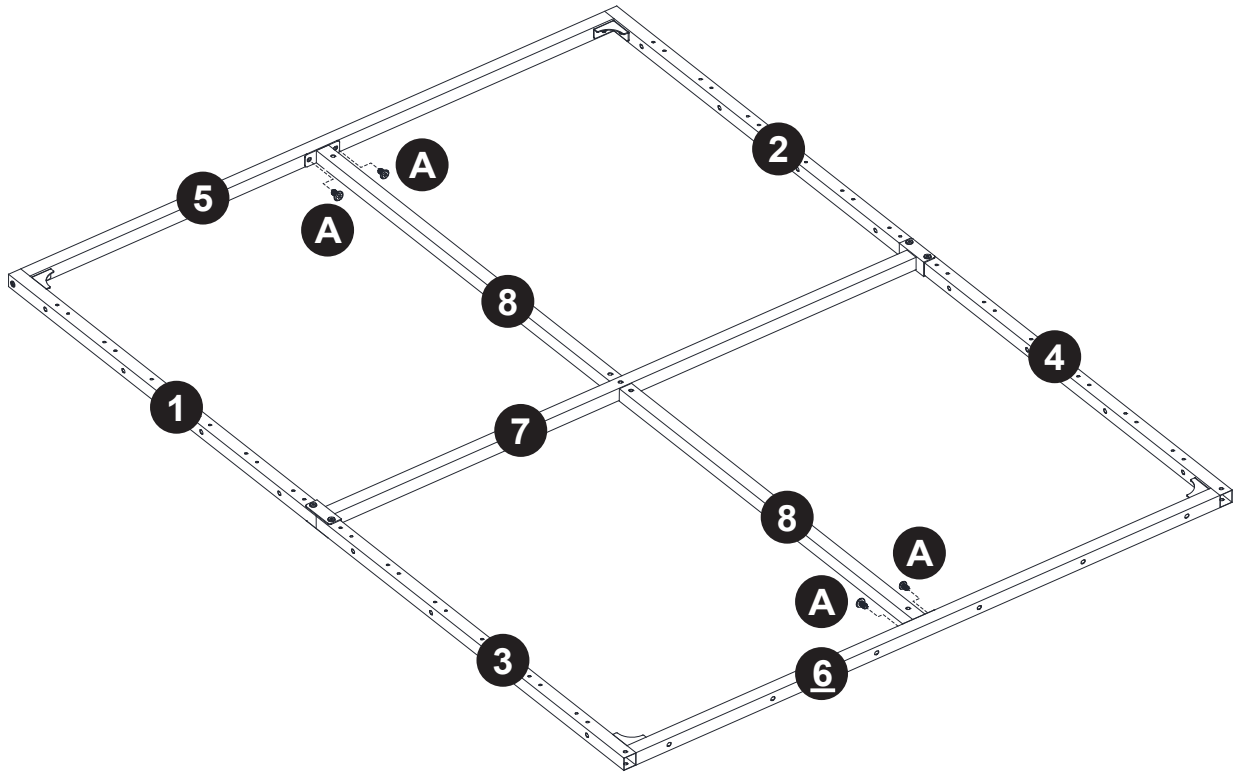
A		x4
G		x4
N		x2



STEP 2



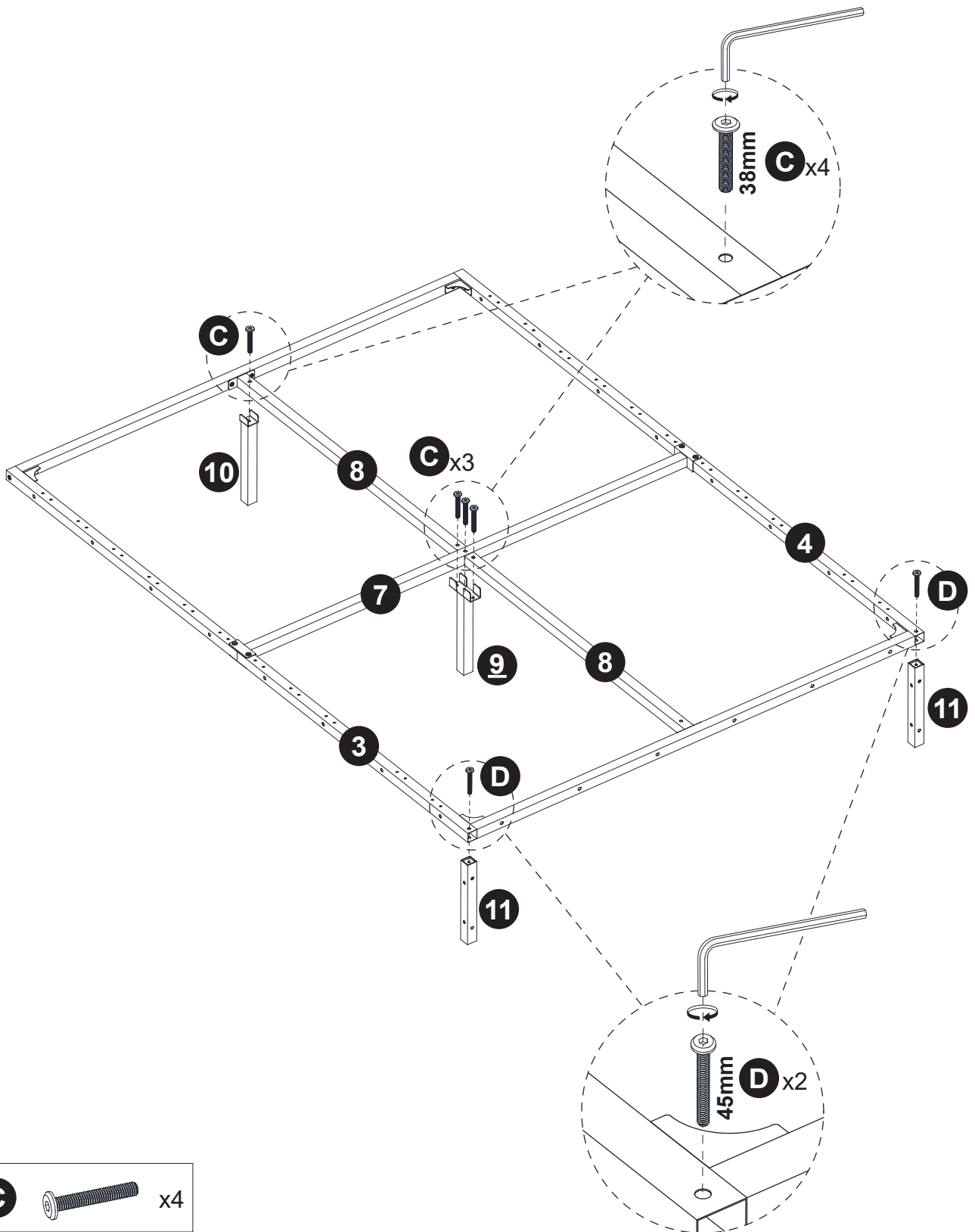
A		x8
D		x2
K		x4
N		x1




STEP 3



A		x4
N		x1

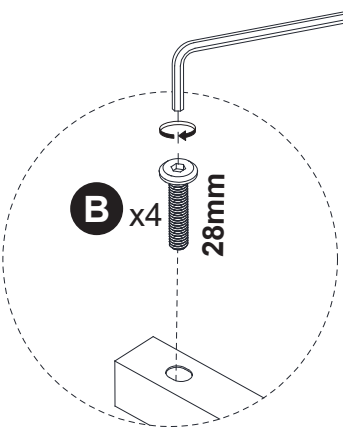
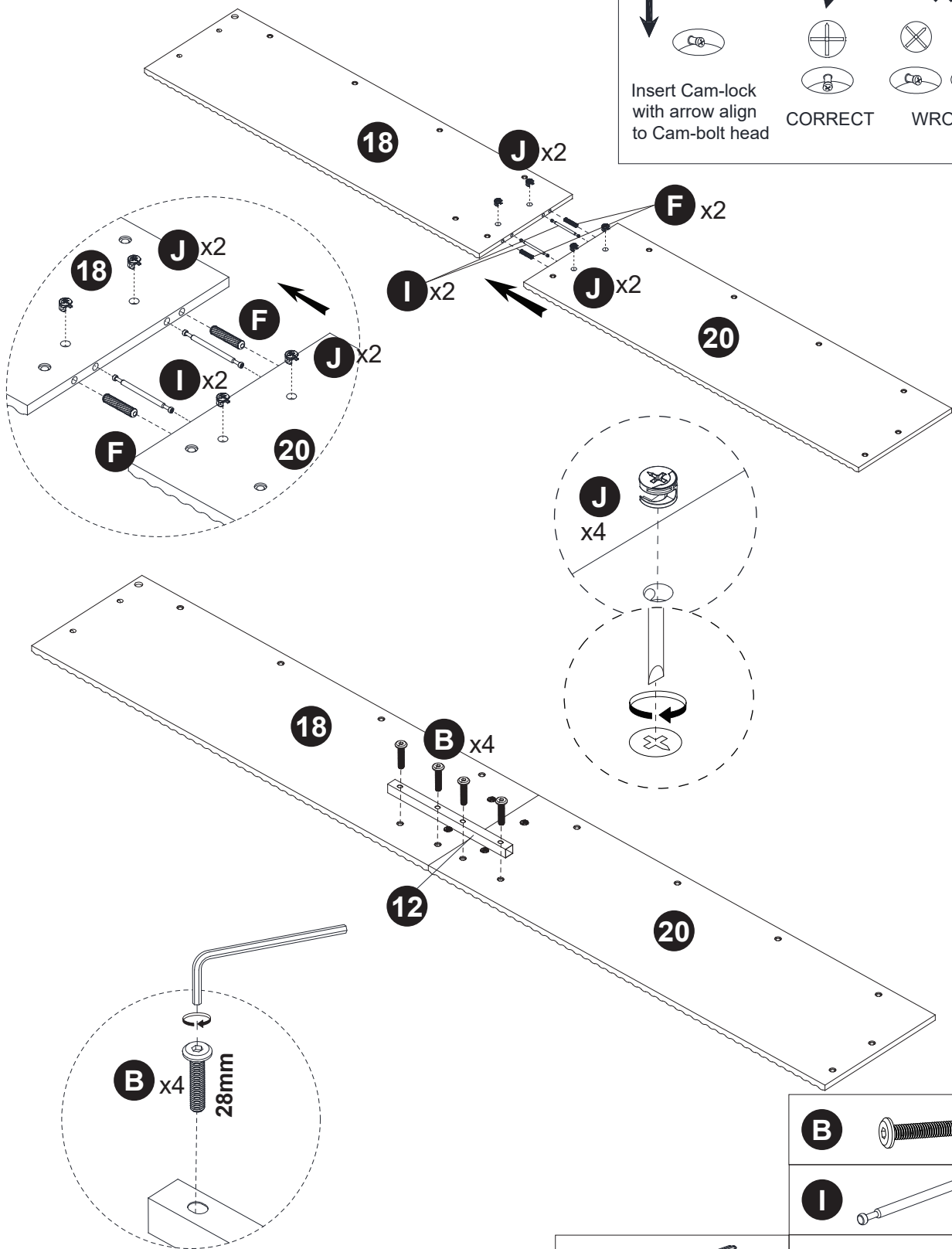
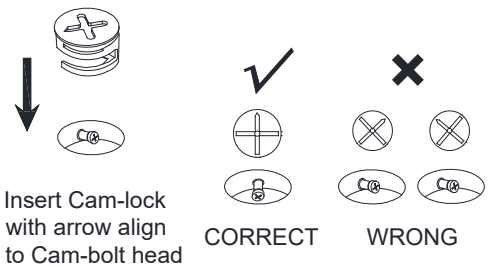
STEP 4



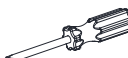





C		x4
D		x2
N		x1

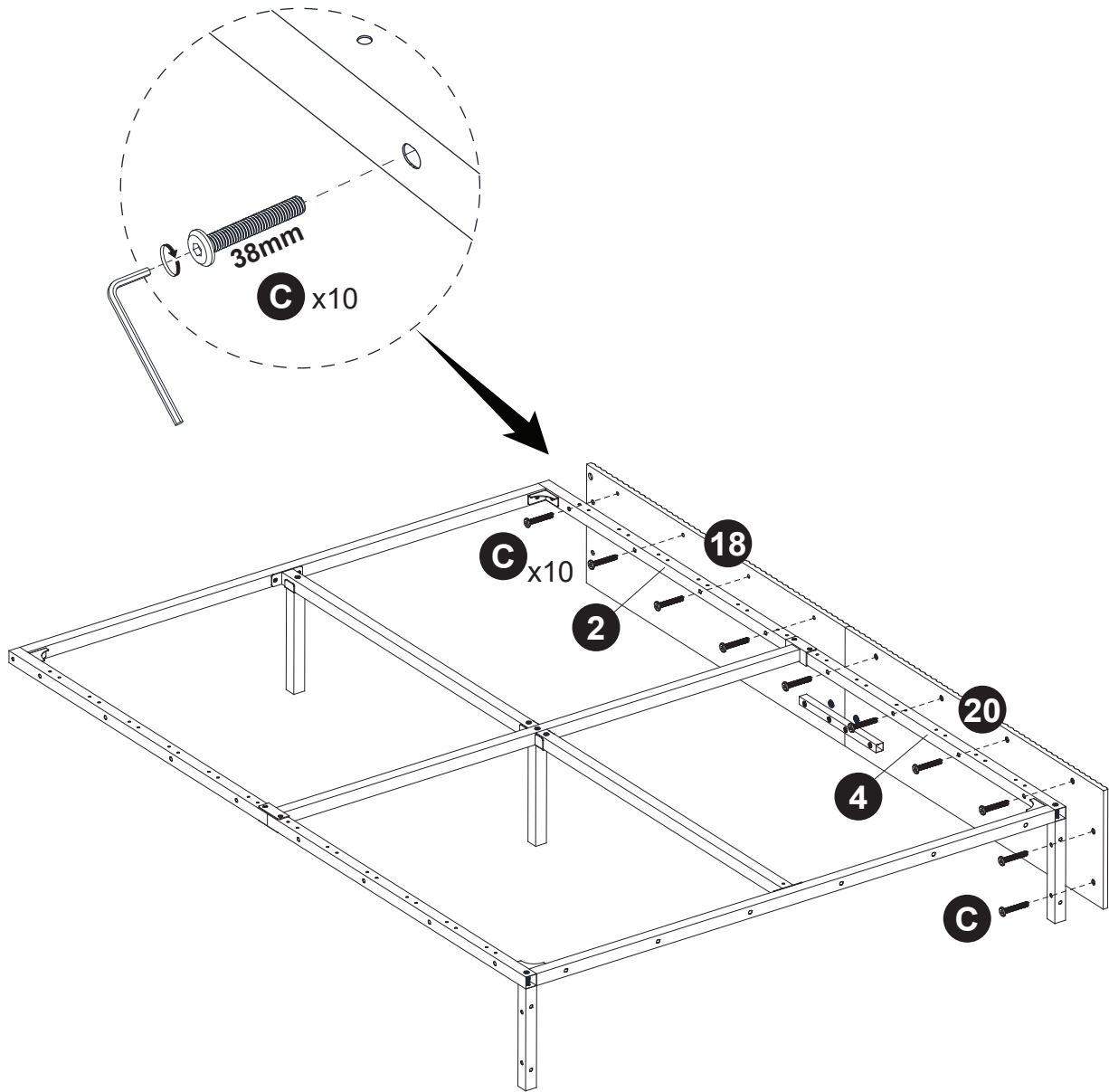
STEP 5



INSERTING CAM-LOCK



B		x4
I		x2
M		x1
N		x1
F		x2
J		x4

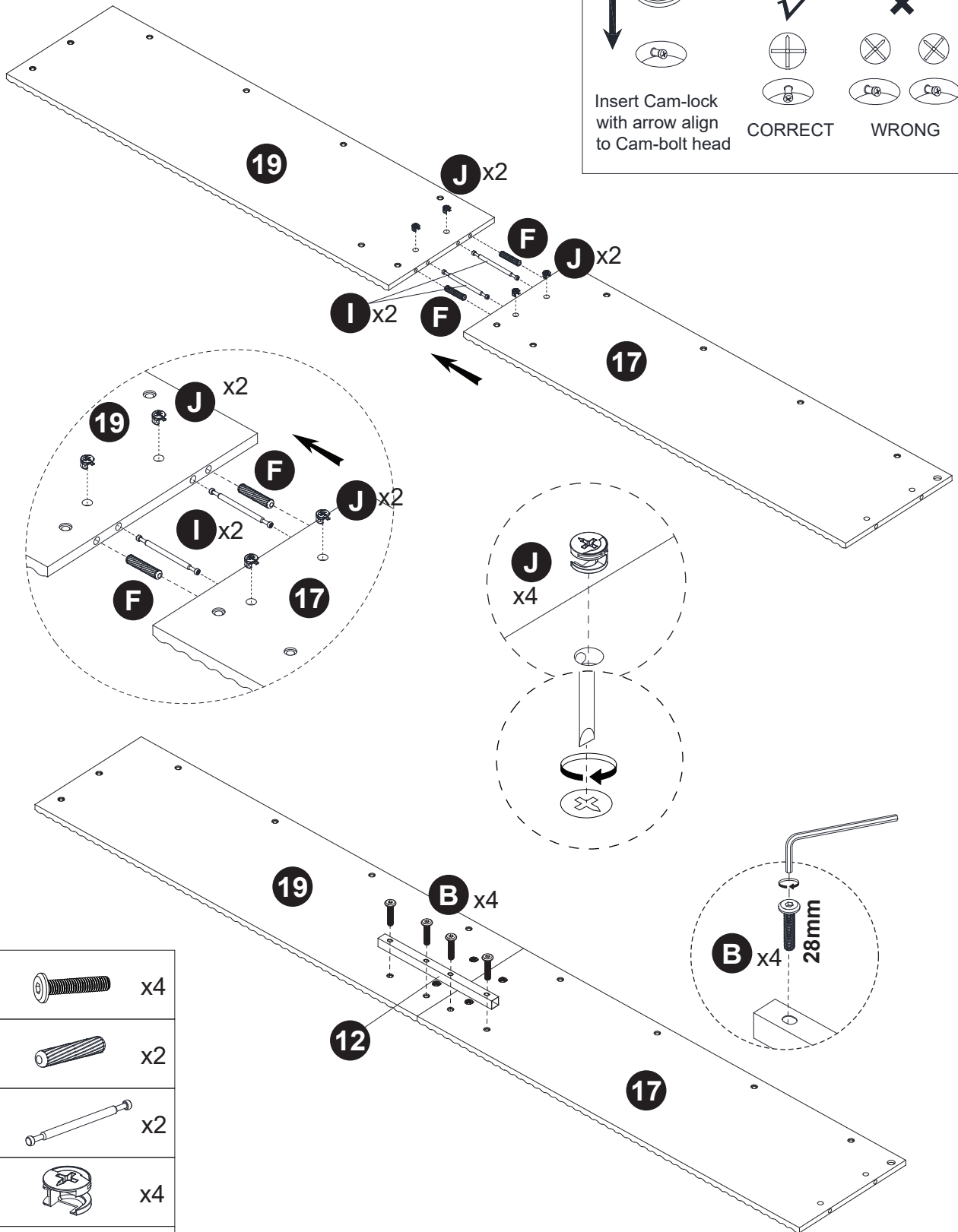
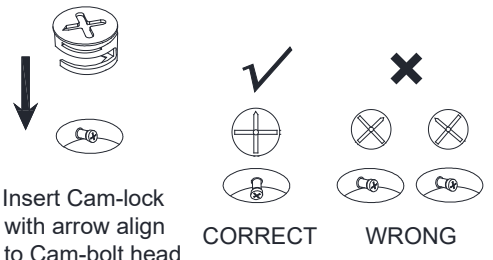
STEP 6



C		x10
N		x1

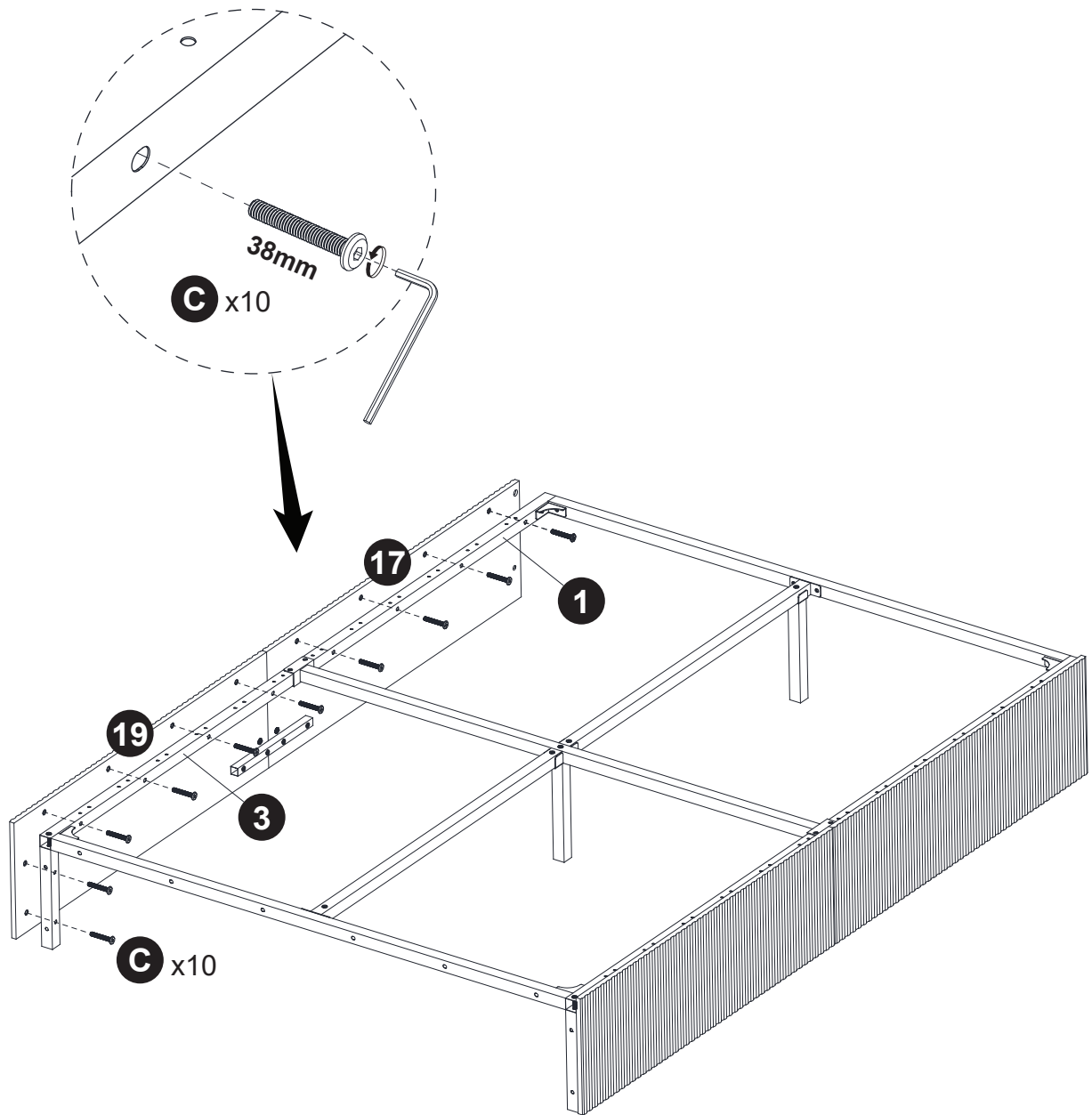
STEP 7



INSERTING CAM-LOCK



B		x4
F		x2
I		x2
J		x4
M		x1
N		x1

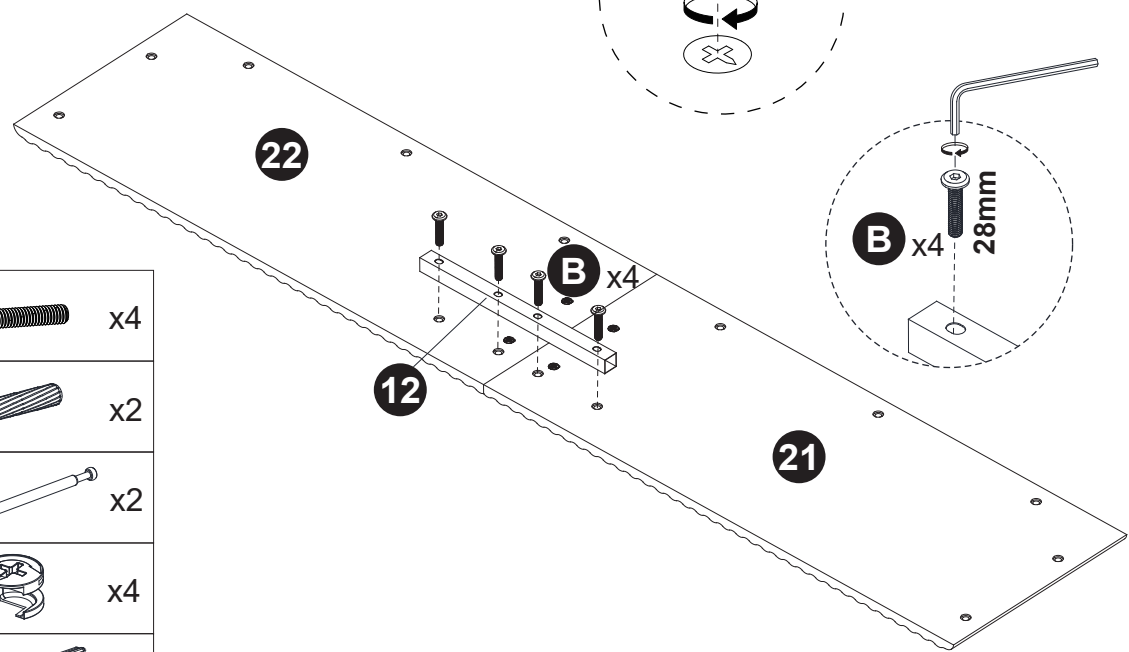
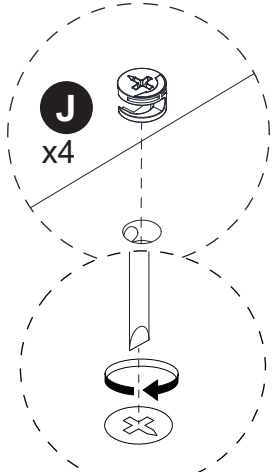
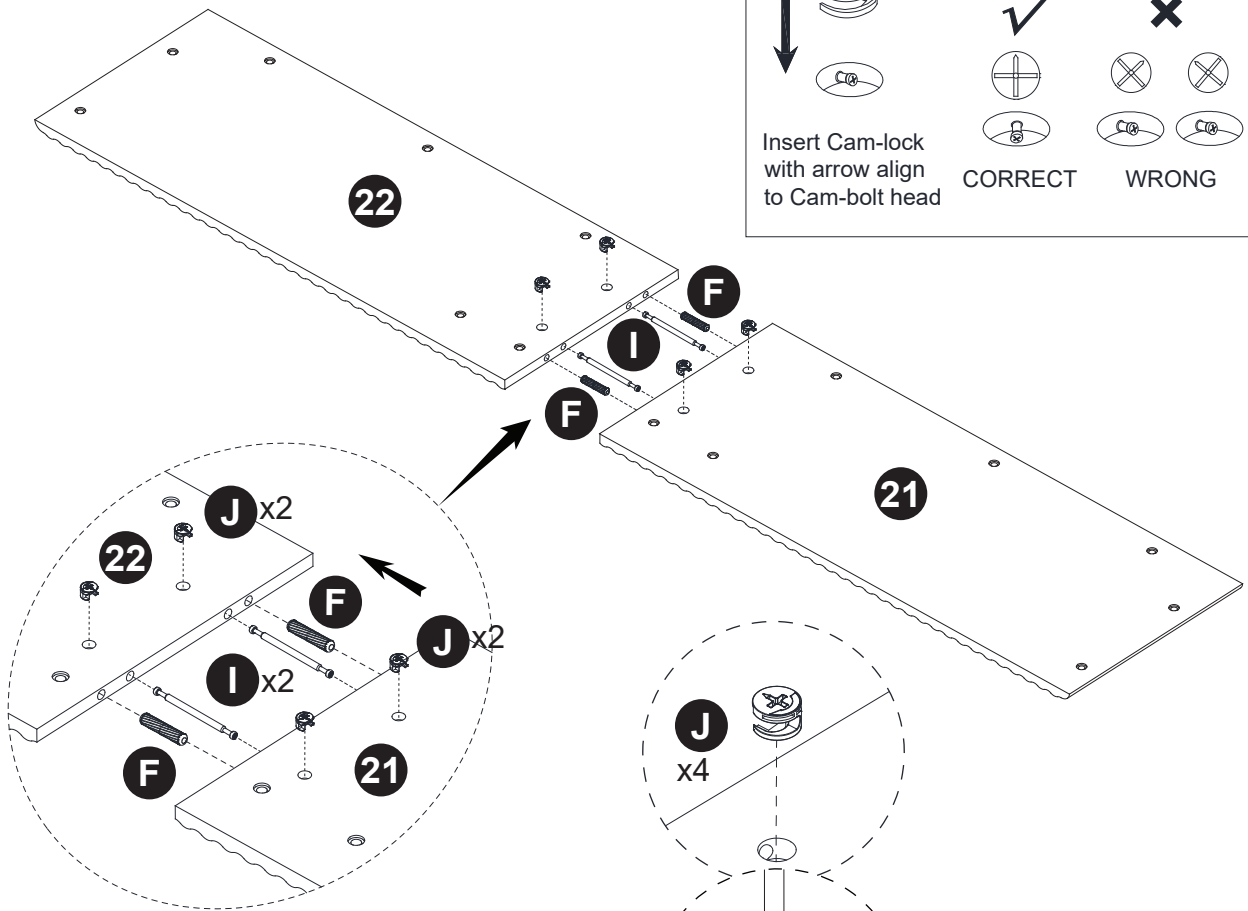
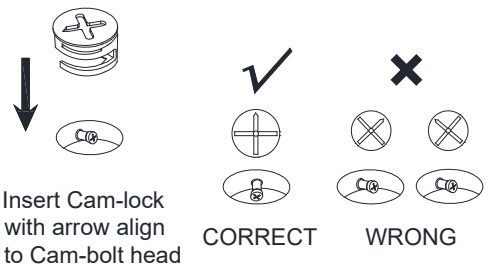
STEP 8



C		x10
N		x1

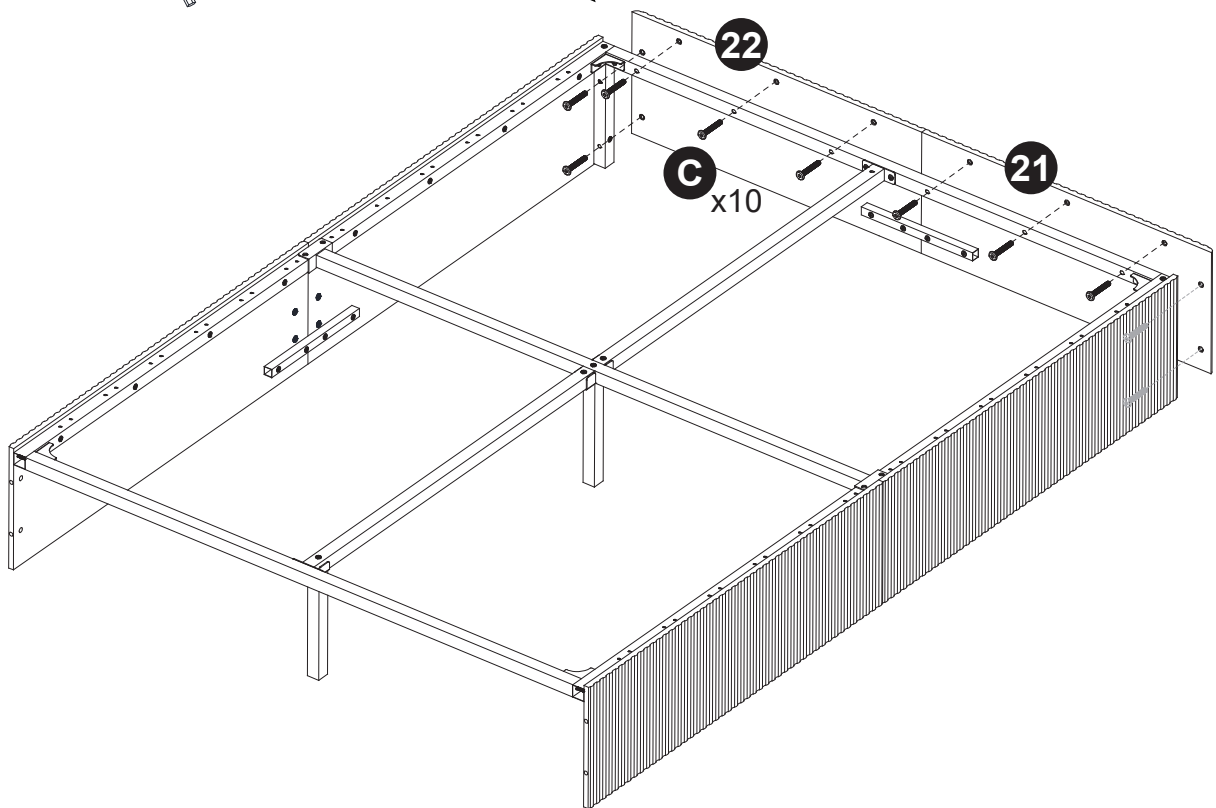
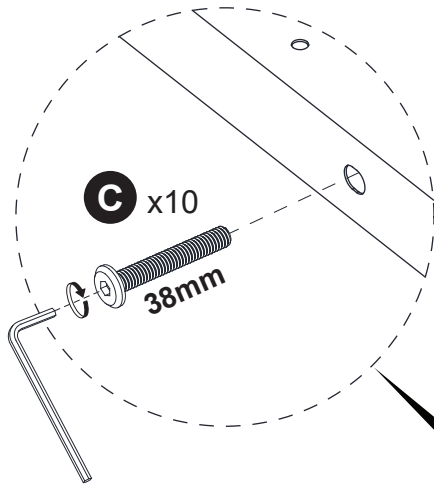
STEP 9



INSERTING CAM-LOCK



- | | | |
|----------|--|----|
| B | | x4 |
| F | | x2 |
| I | | x2 |
| J | | x4 |
| M | | x1 |
| N | | x1 |

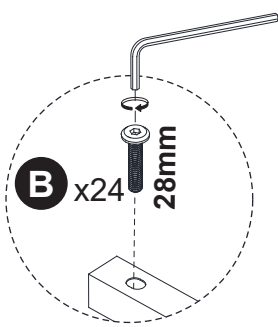
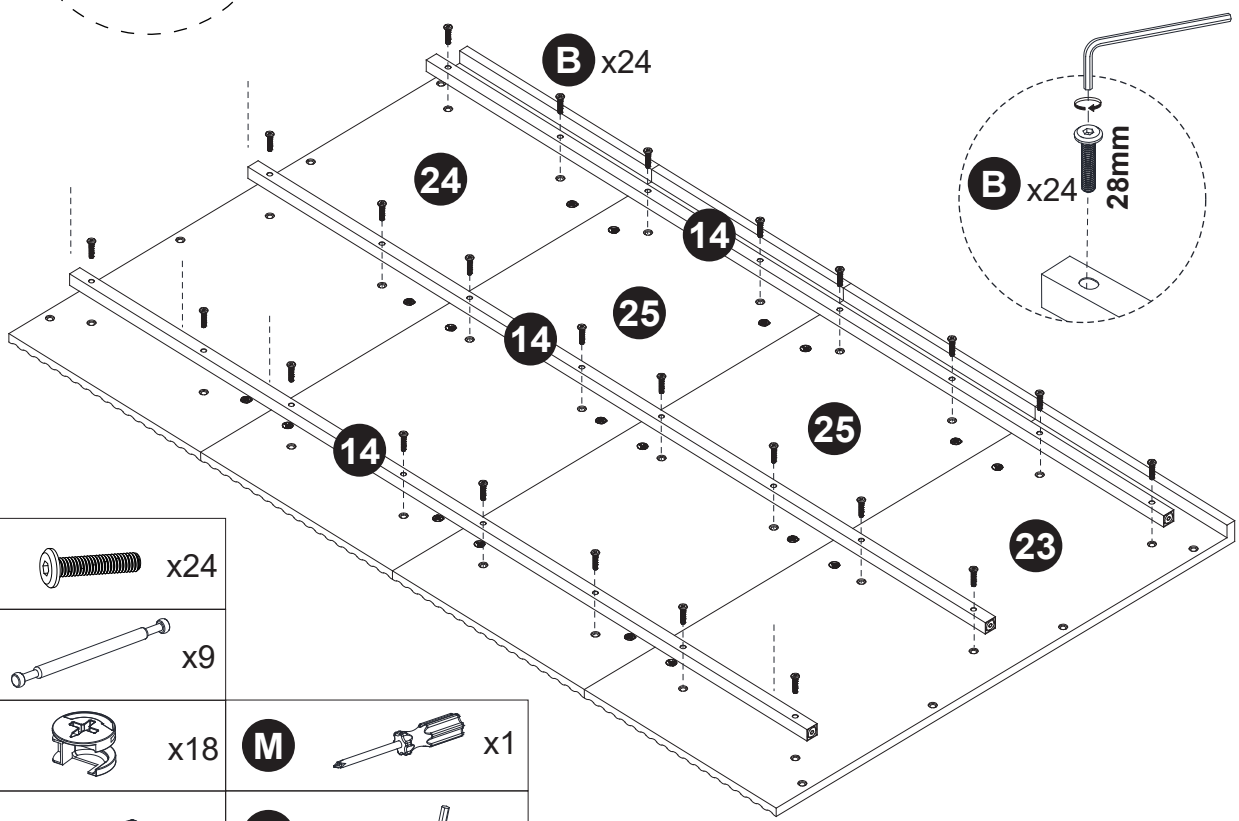
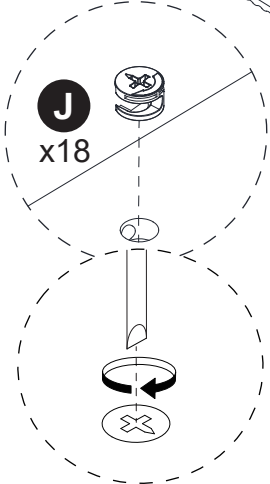
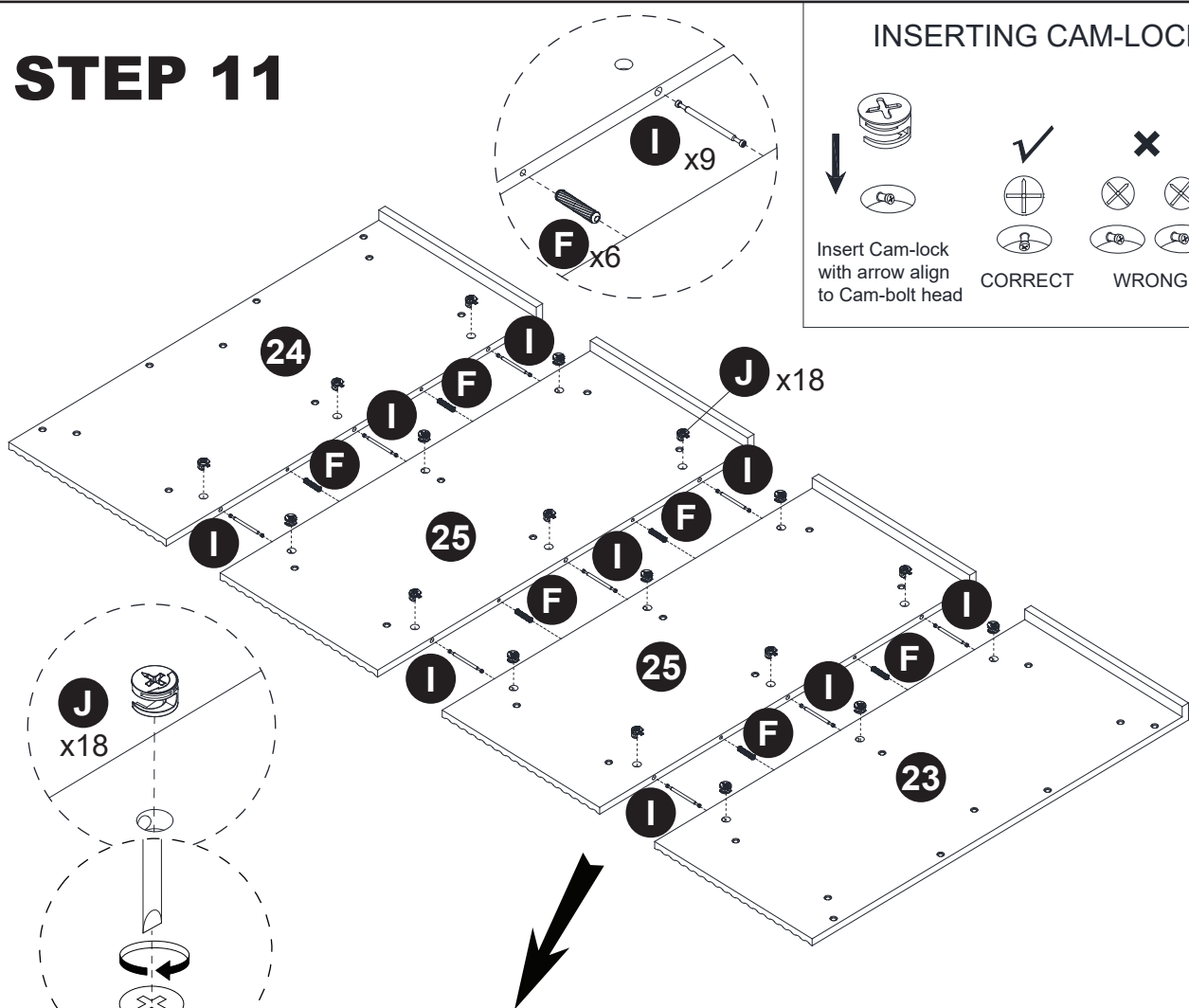
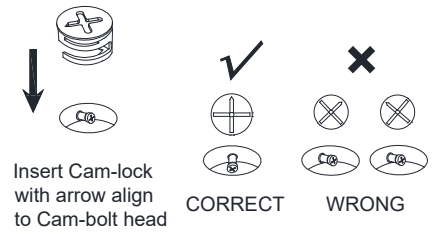
STEP 10


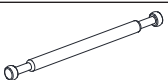
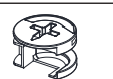
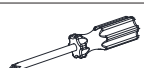




C		x10
N		x1

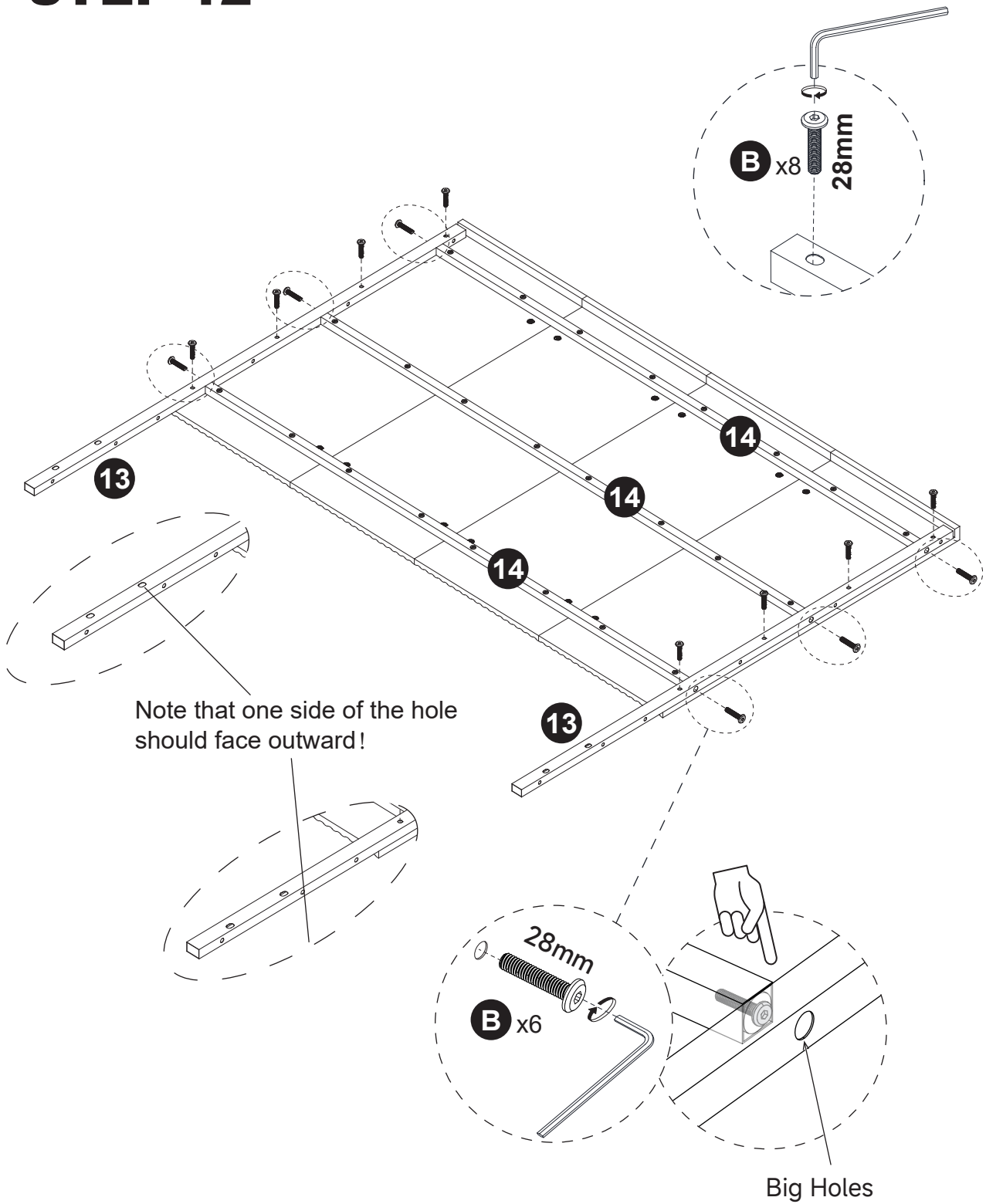
STEP 11



INSERTING CAM-LOCK



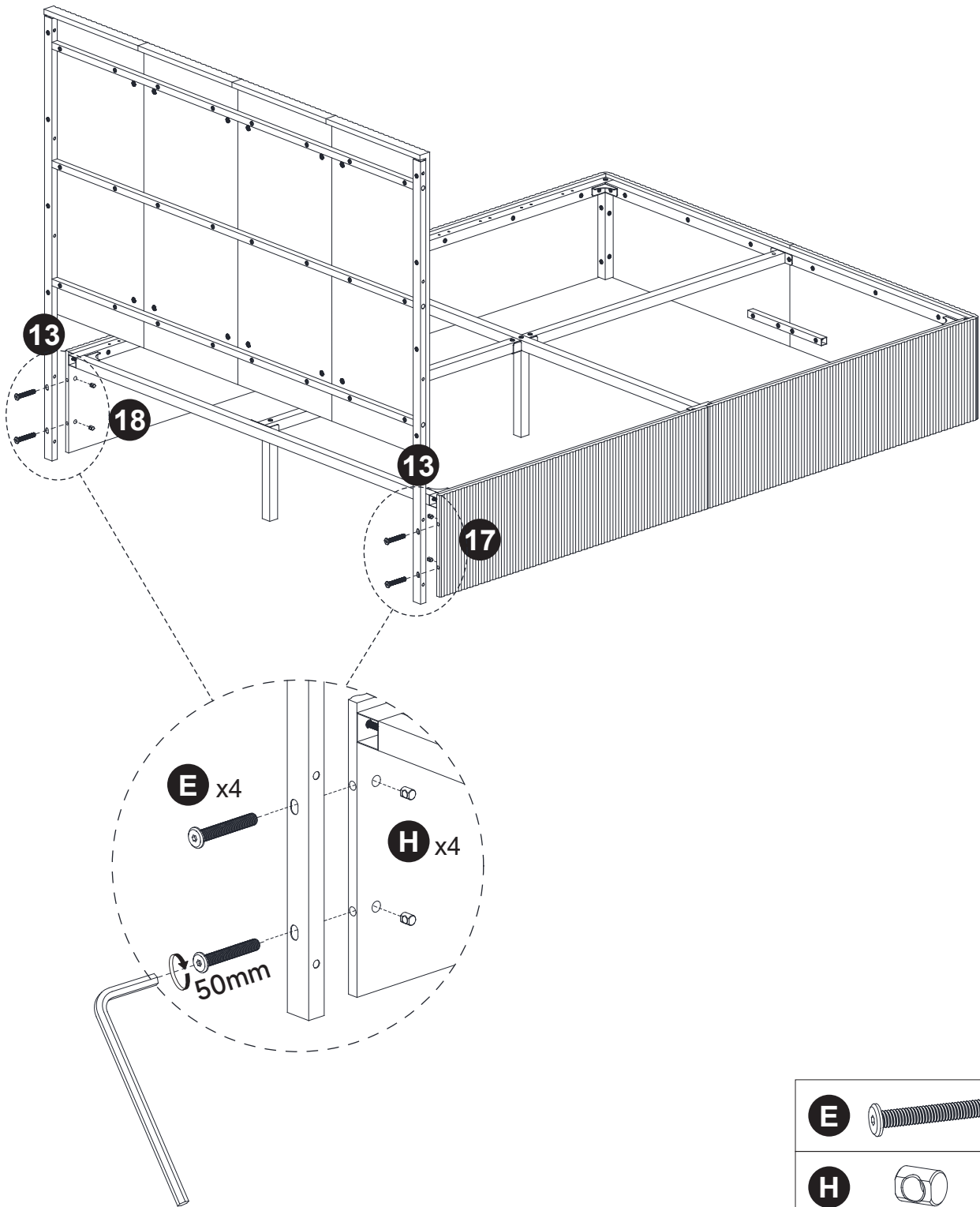
B	 x24		
I	 x9		
J	 x18	M	 x1
F	 x6	N	 x1




STEP 12



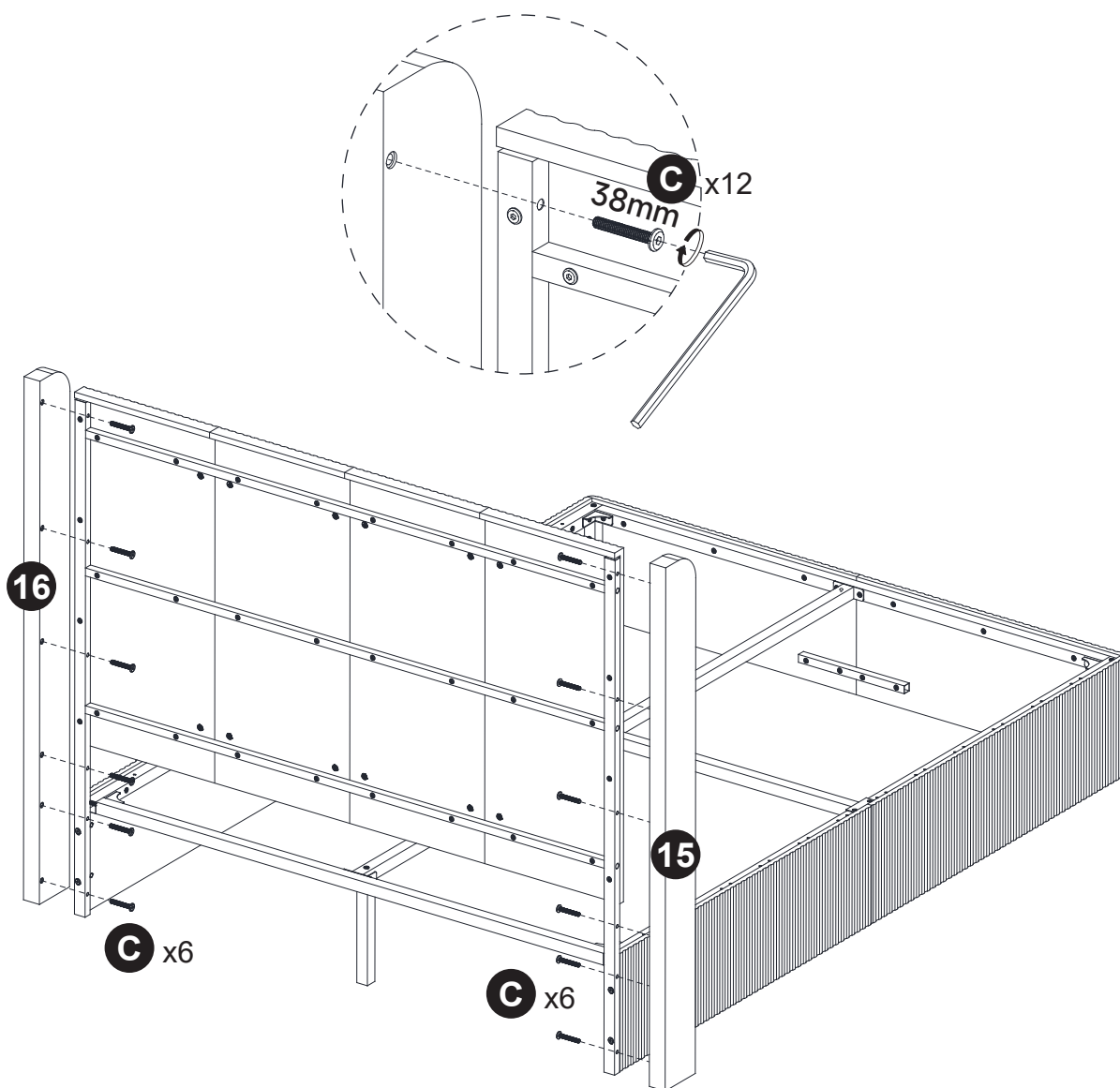
B		x14
N		x1



STEP 13



E		x4
H		x4
N		x1

STEP 14



- | | | |
|----------|---|-----|
| C |  | x12 |
| N |  | x1 |

STEP 15

