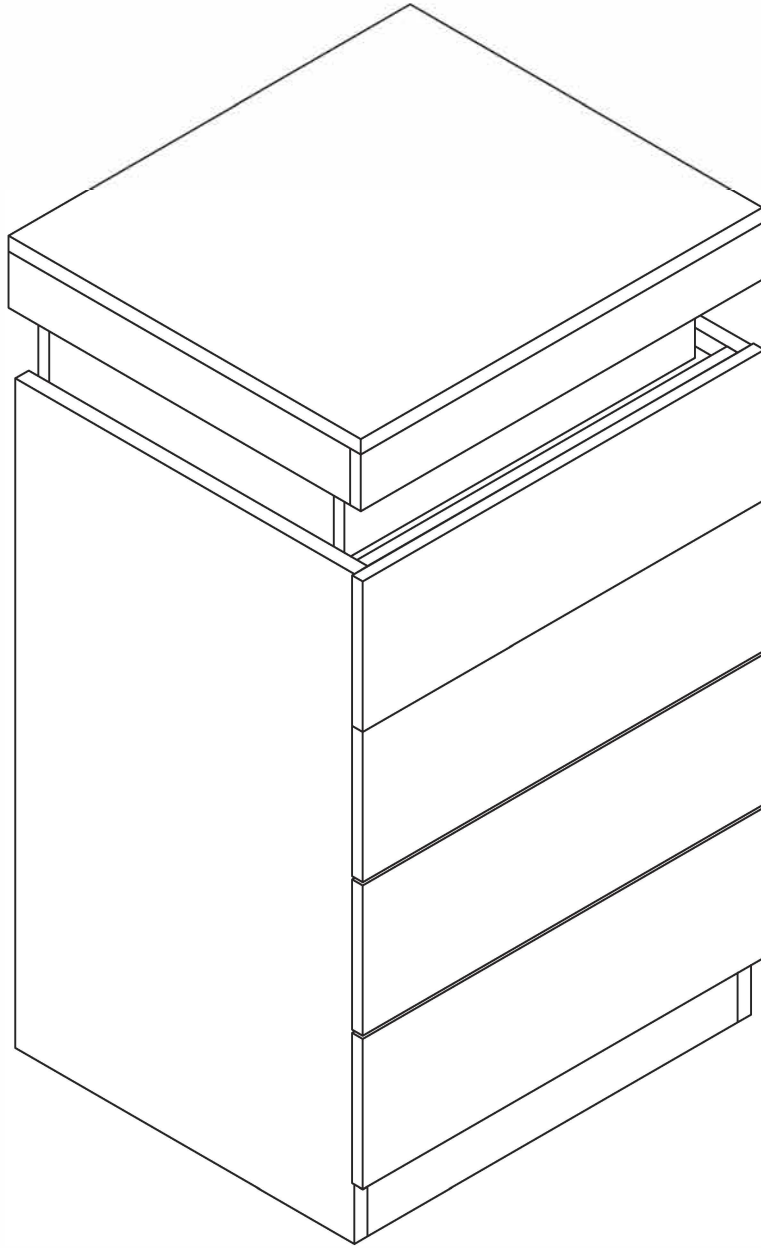
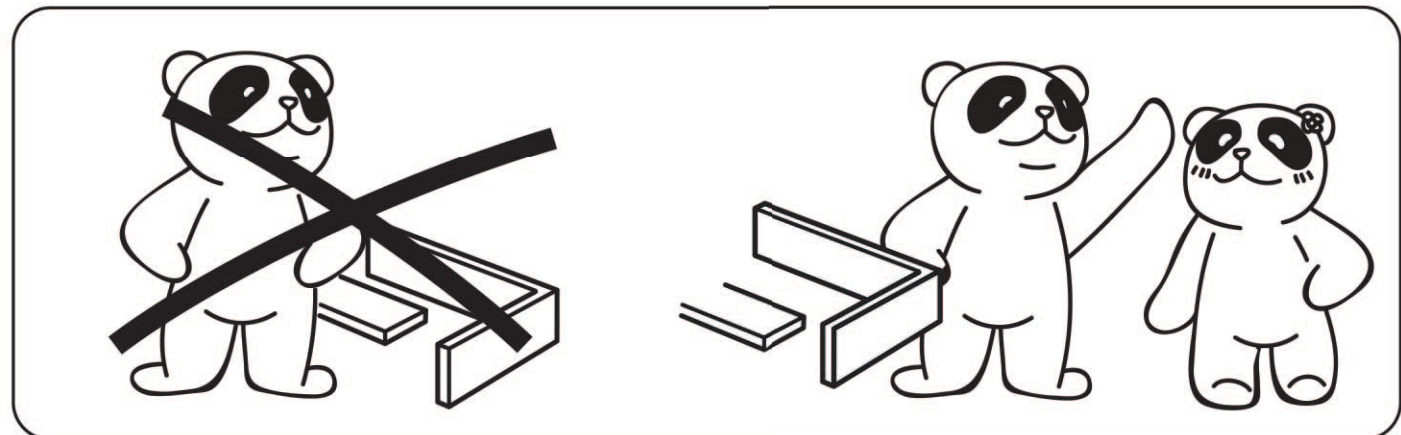
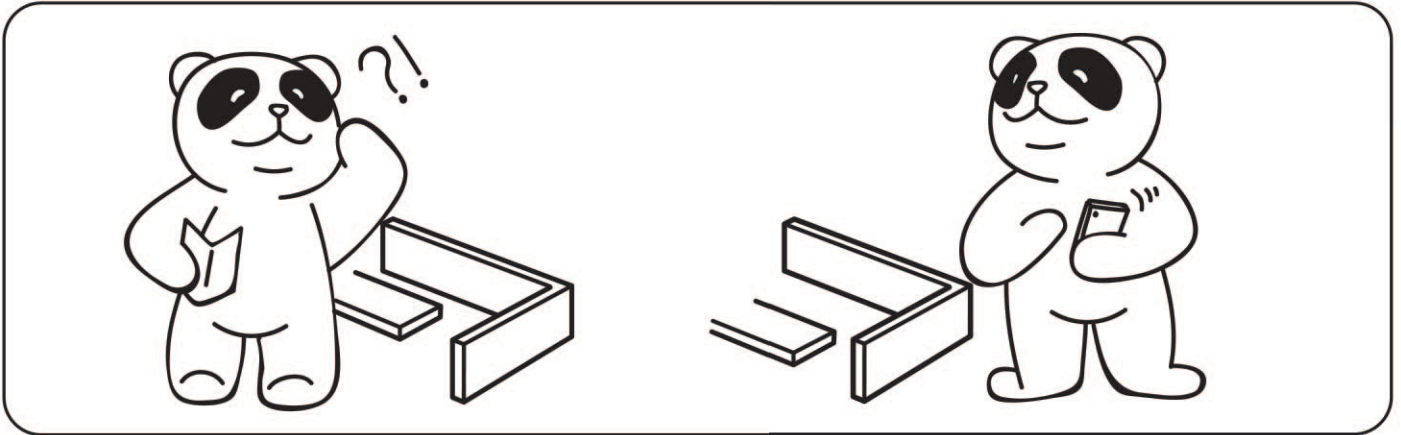
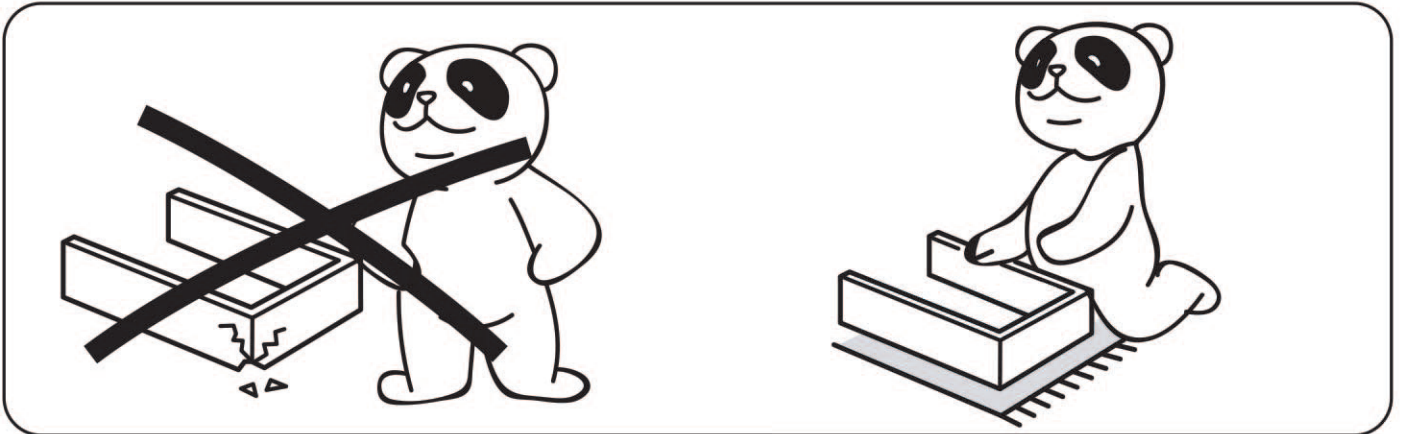
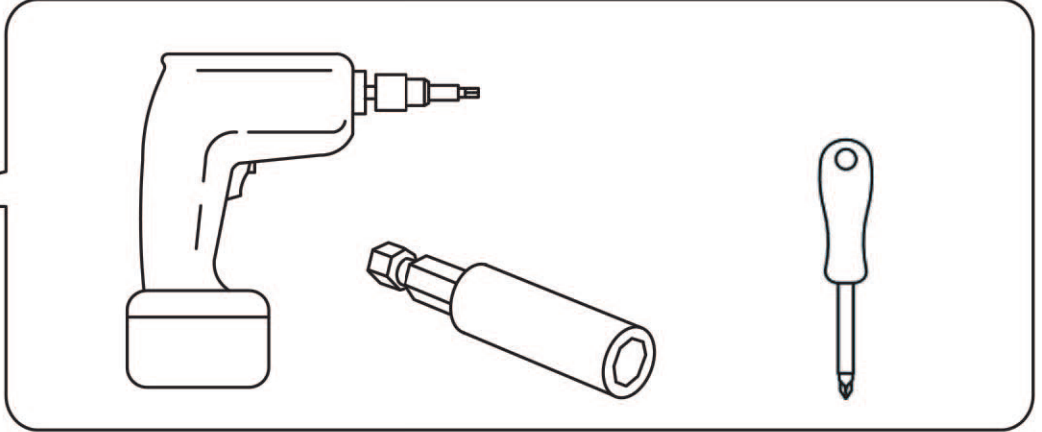


Installation & Assembly





Install parts



A

x41(+2)



B

x41(+2)



C

x36(+2)



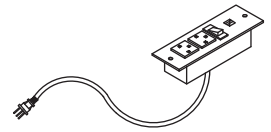
D

x26(+2)



E

x2



F

x1



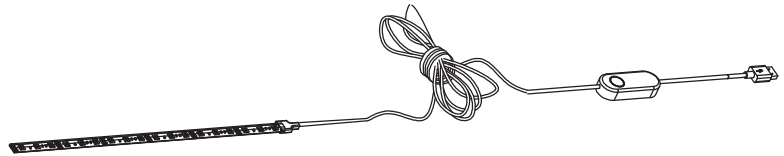
G

x62(+2)



H

x2



I

x1

J-1



J

x8

J-2



K-1



K

x1

K-2



L-1



L

x1

L-2



M

x1(+3)



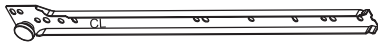
N

x1(+1)



O

x1(+1)



CL

x4

300mm



CR

x4

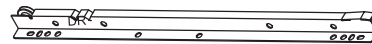
300mm



DL

x4

300mm

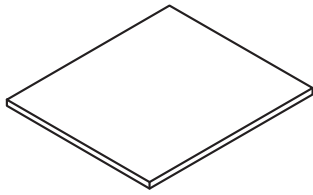


DR

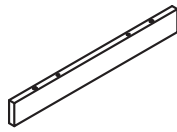
x4

300mm

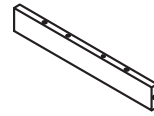
Mounting frame



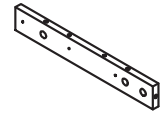
1
x1



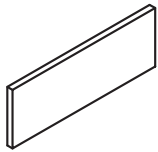
2
x1



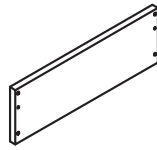
3
x1



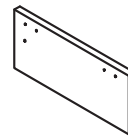
4
x1



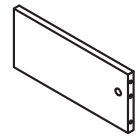
5
x1



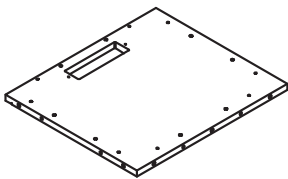
6
x1



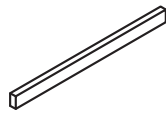
7
x1



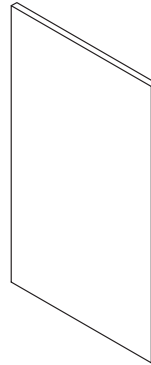
8
x1



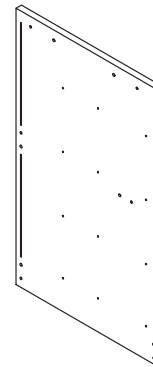
9
x1



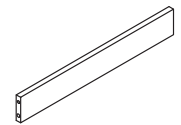
10
x1



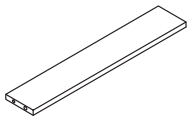
11
x1



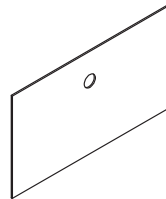
12
x1



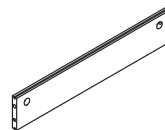
13
x1



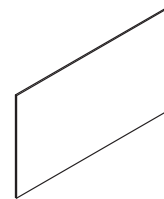
14
x1



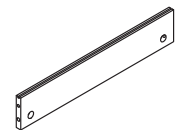
15
x1



16
x1

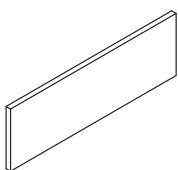


17
x1

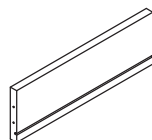


18
x1

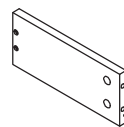
Drawer



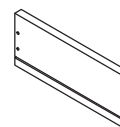
19
x4



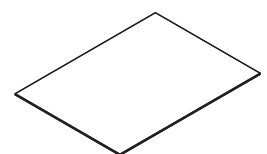
20
x4



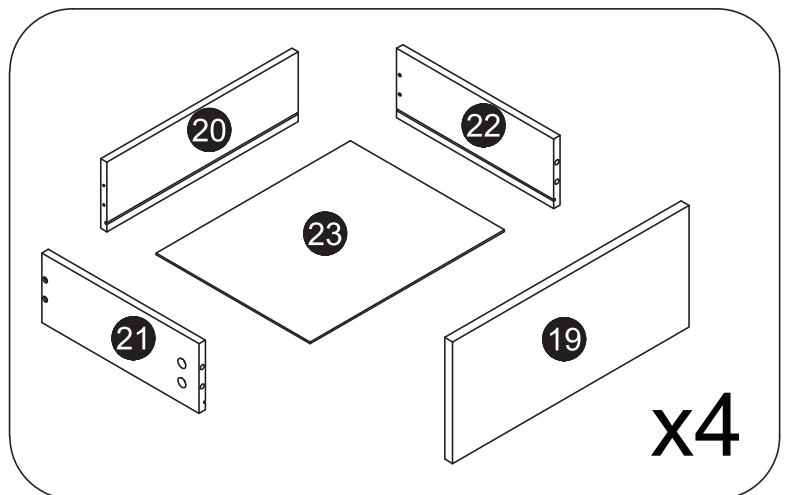
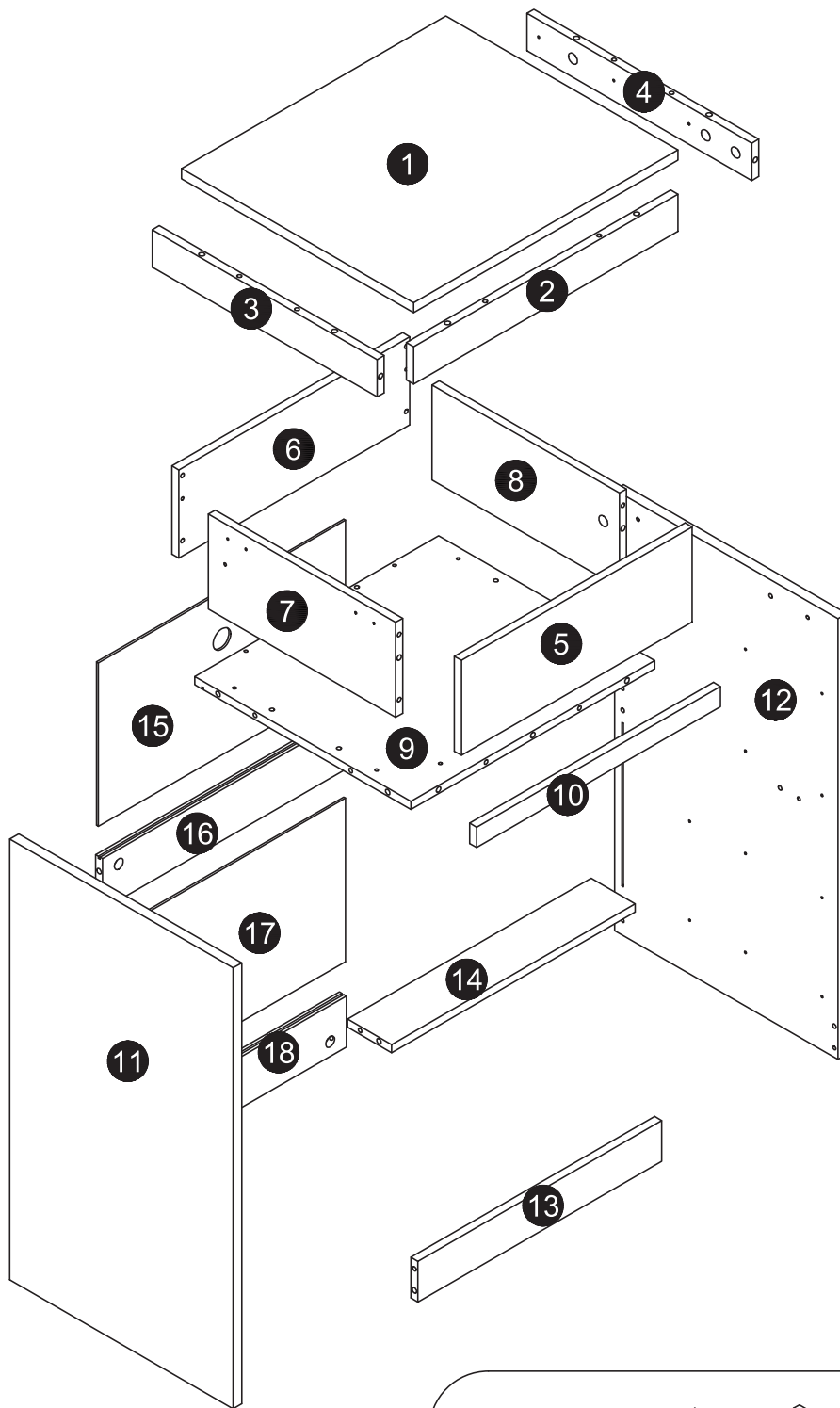
21
x4



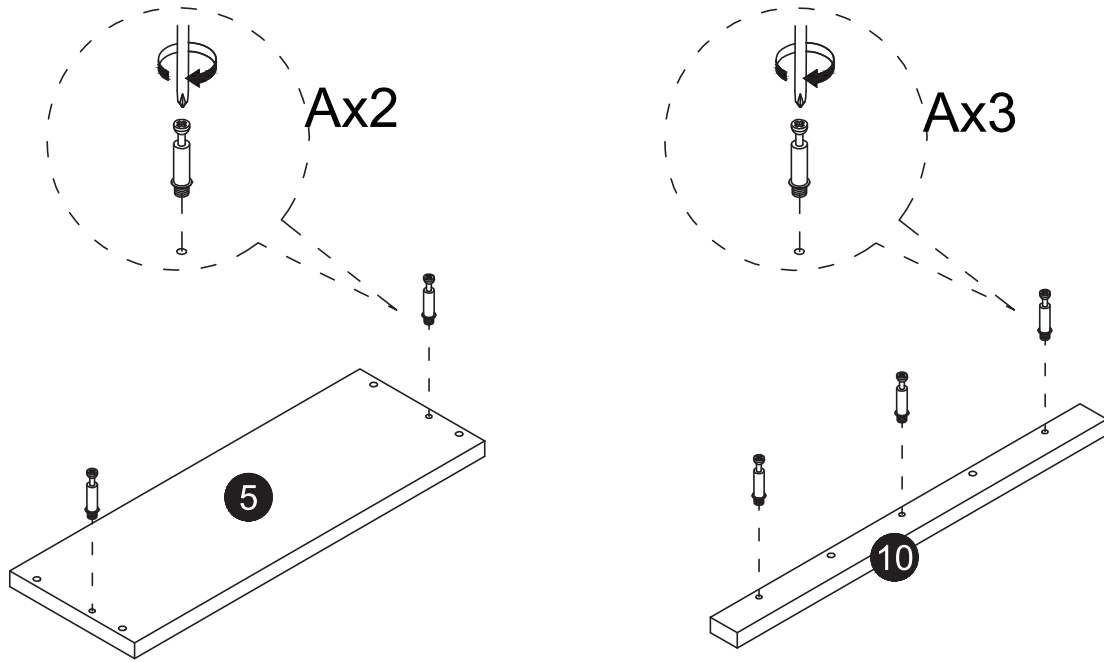
22
x4



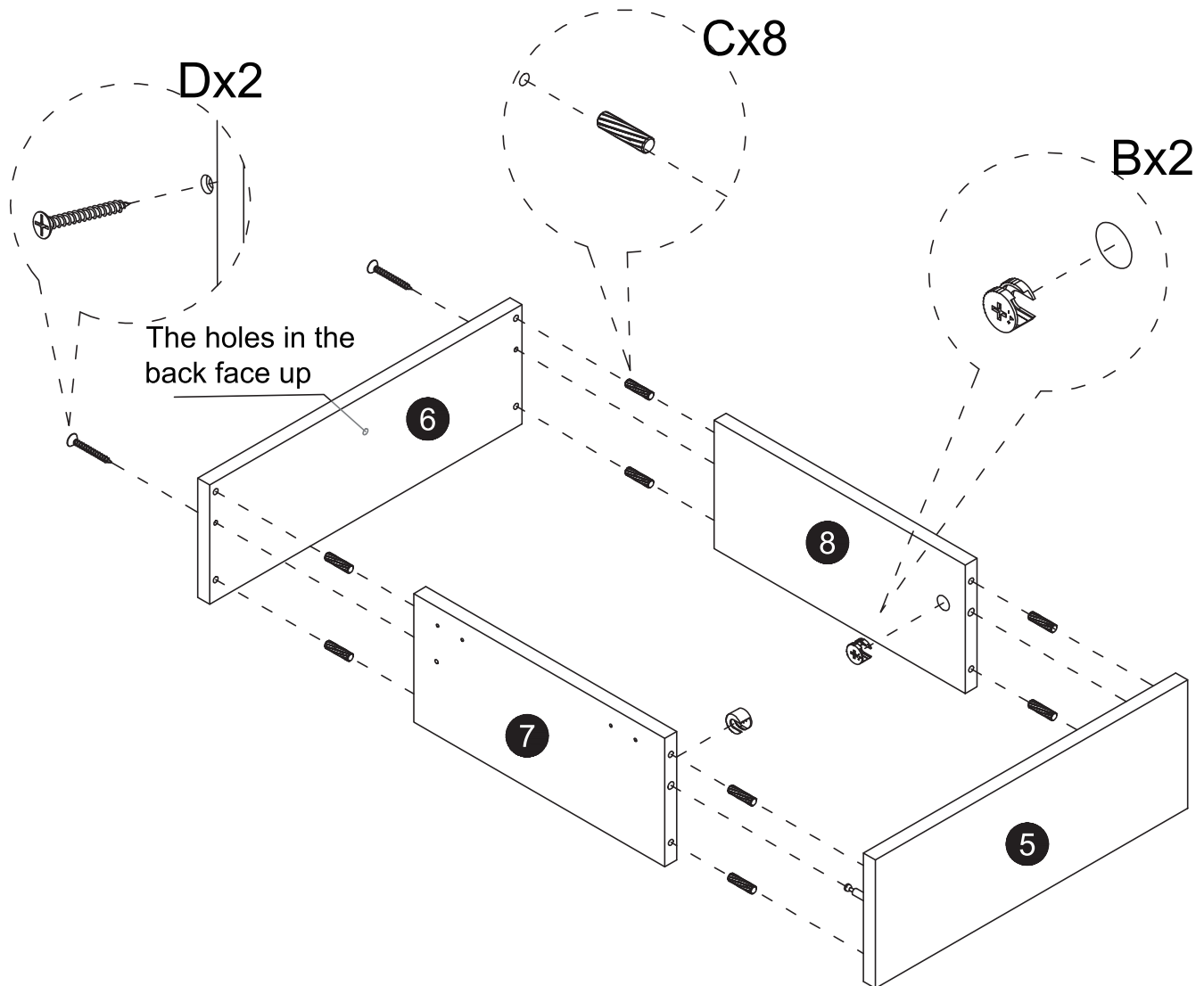
23
x4



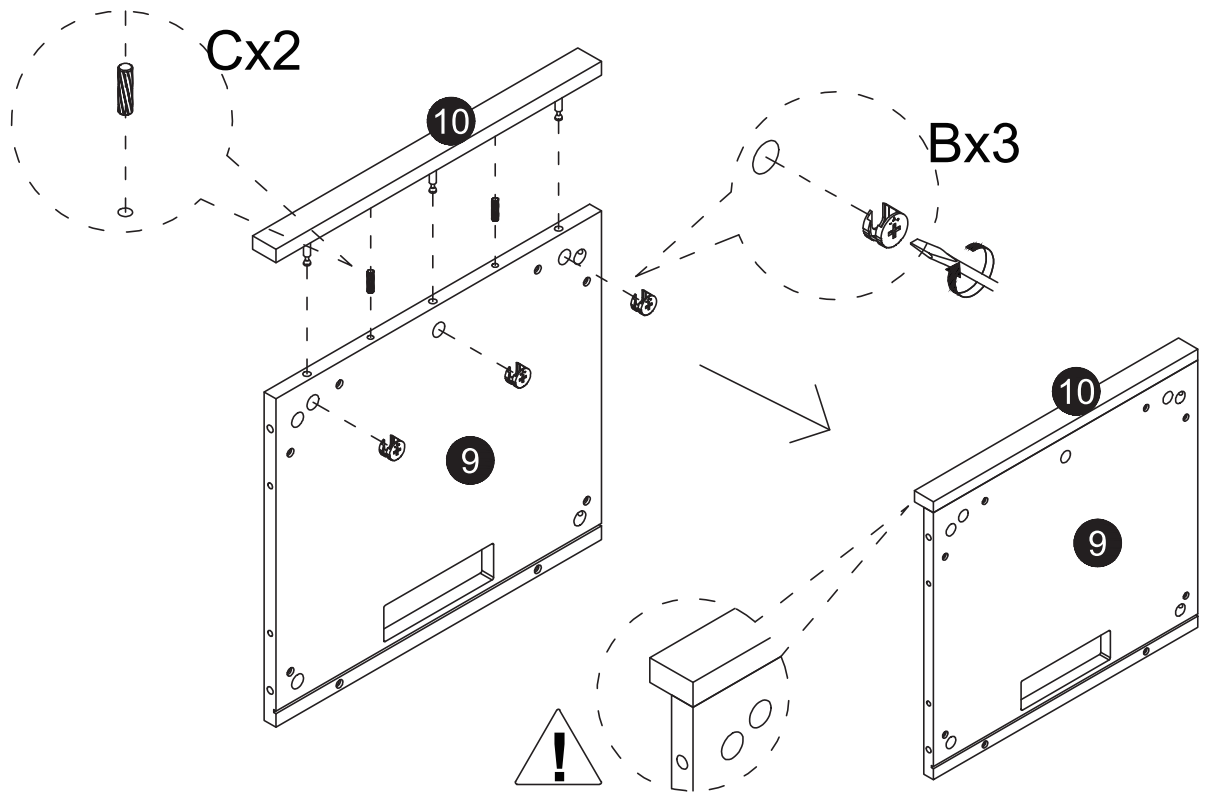
1



2

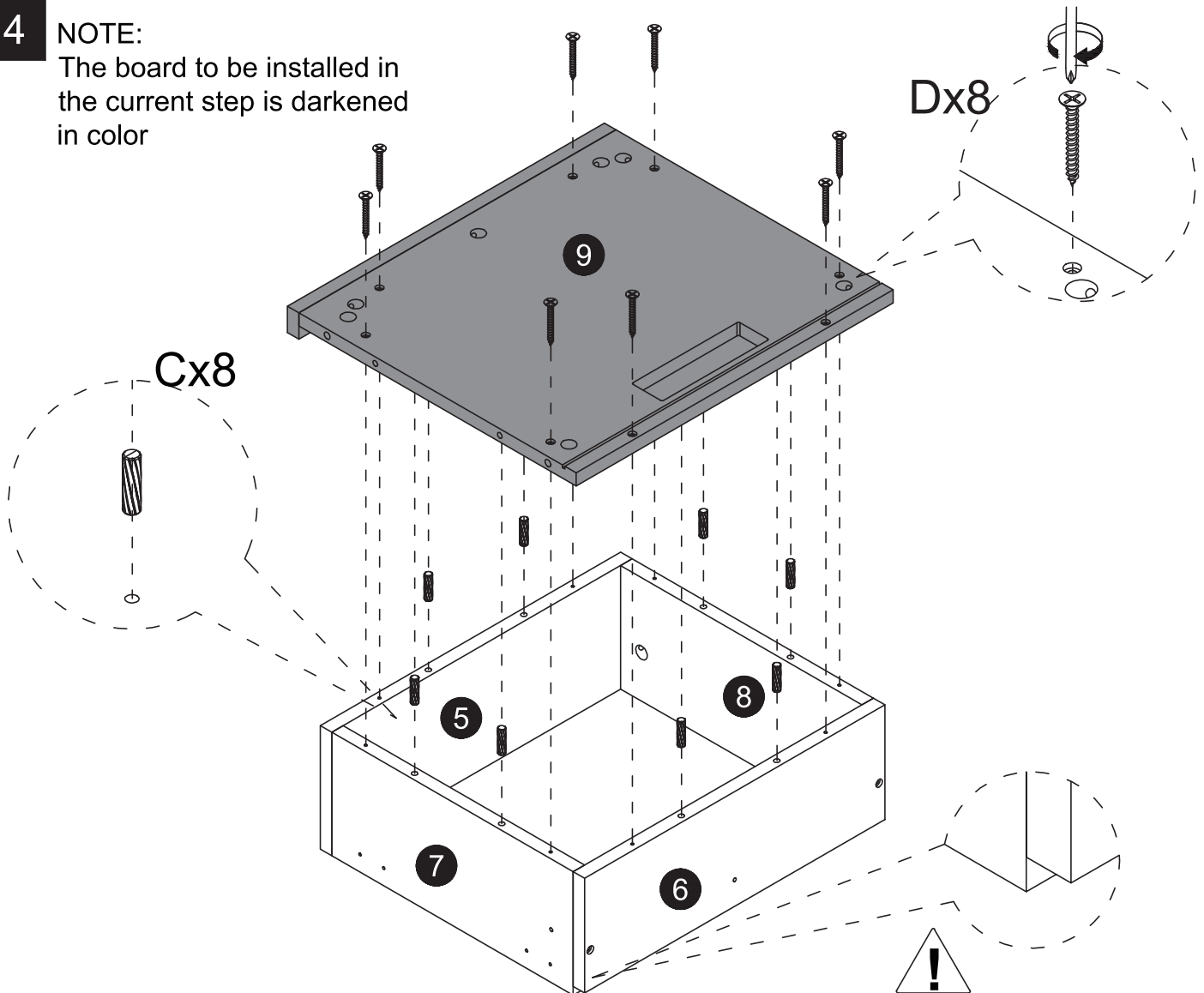


3

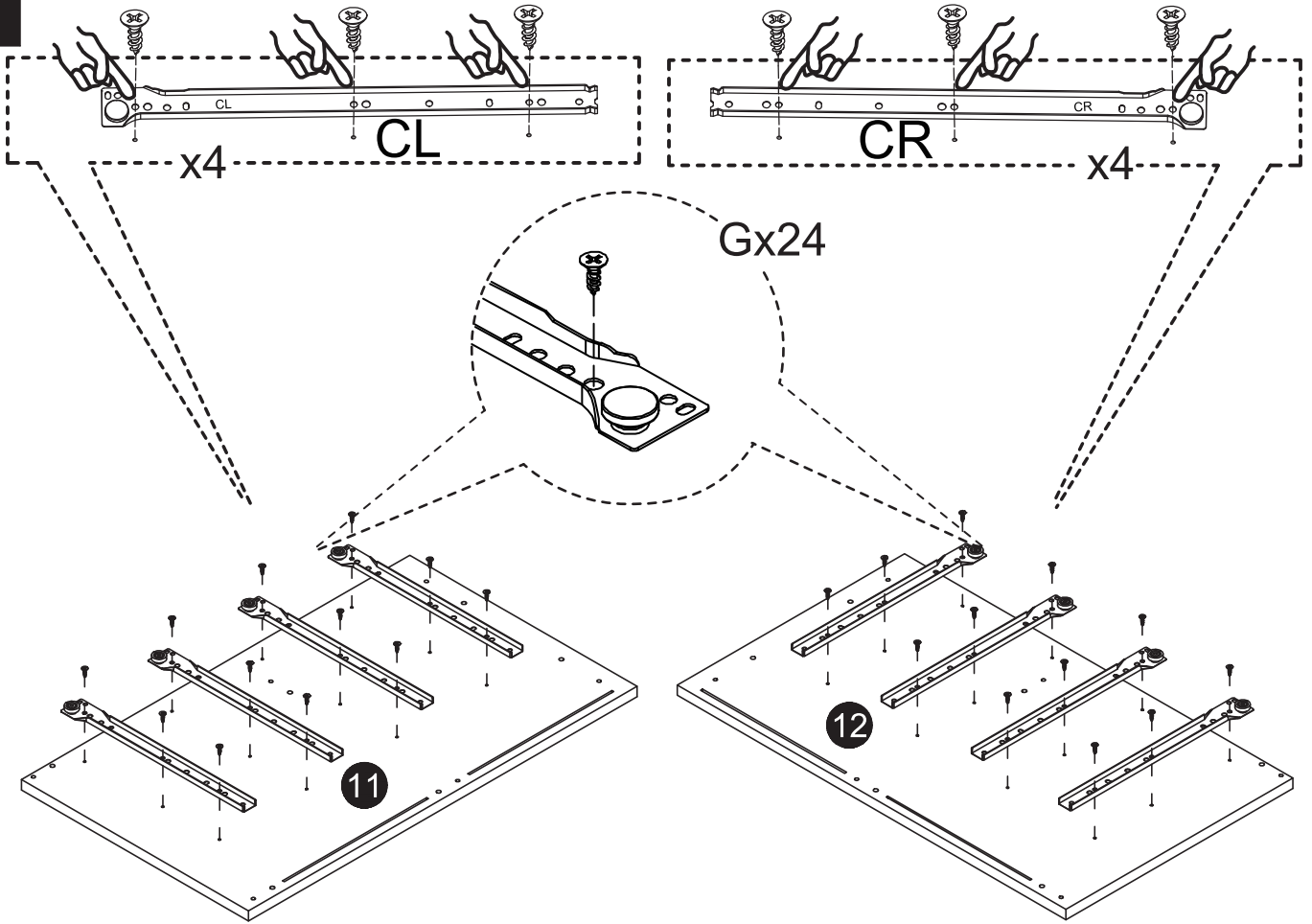


4

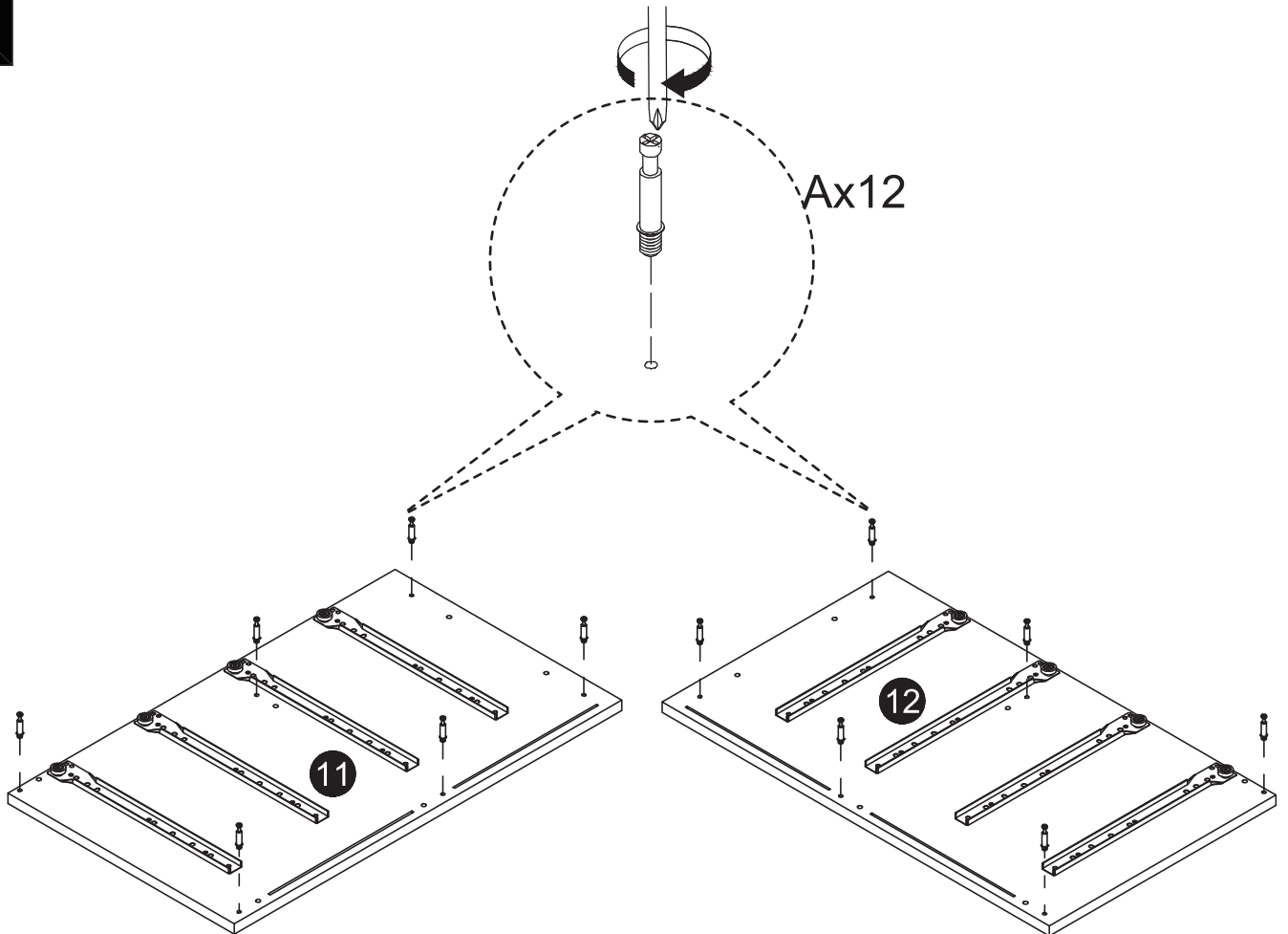
NOTE:
The board to be installed in the current step is darkened in color



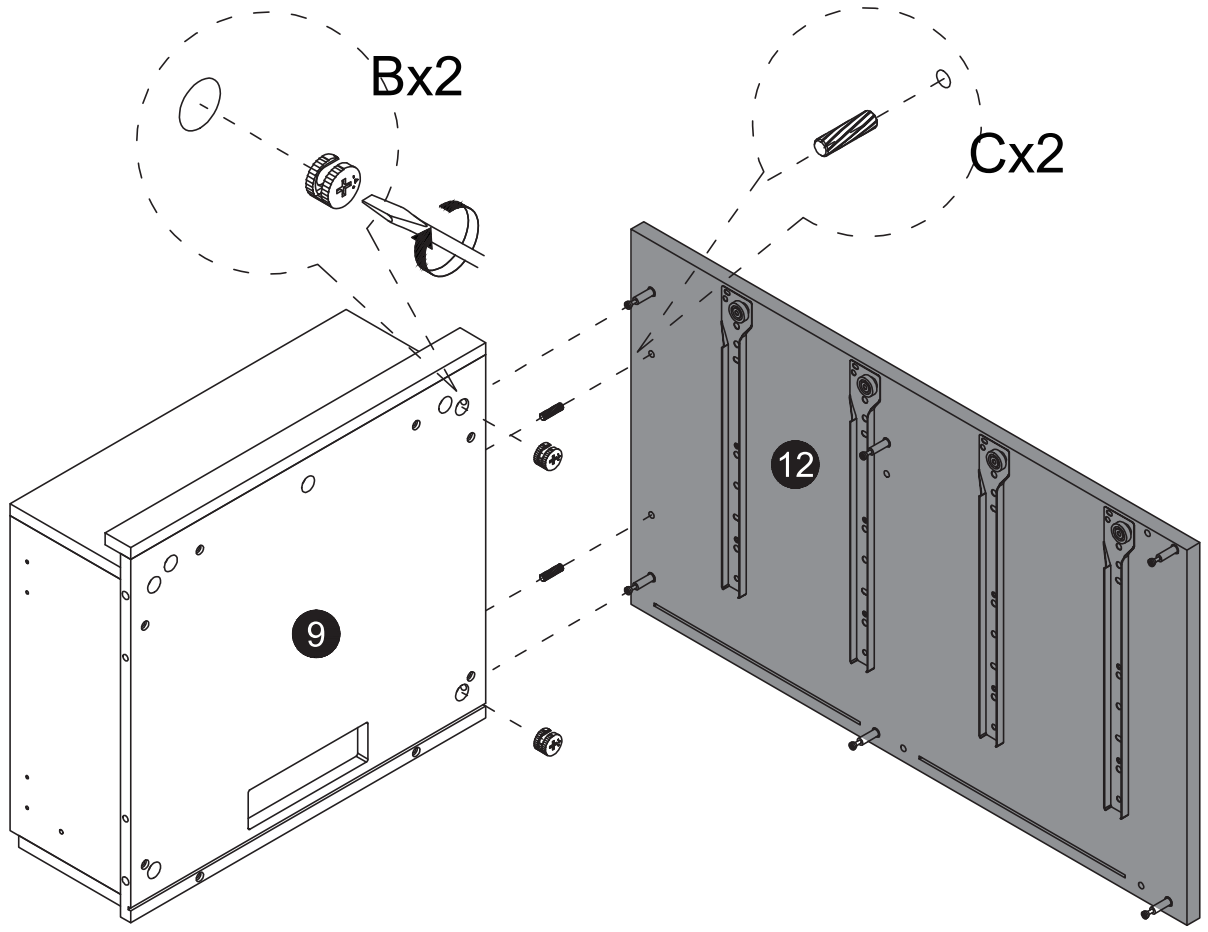
5



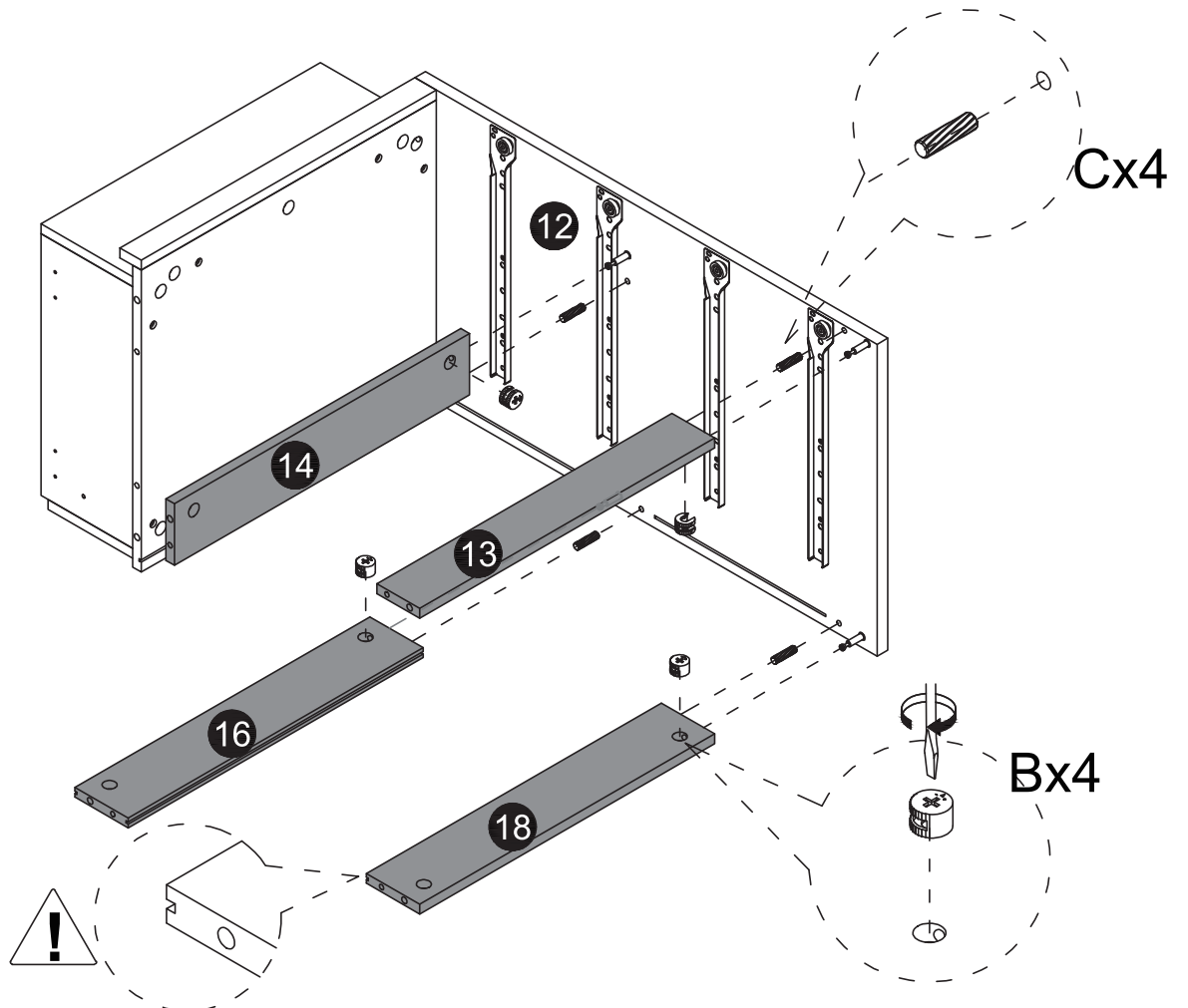
6



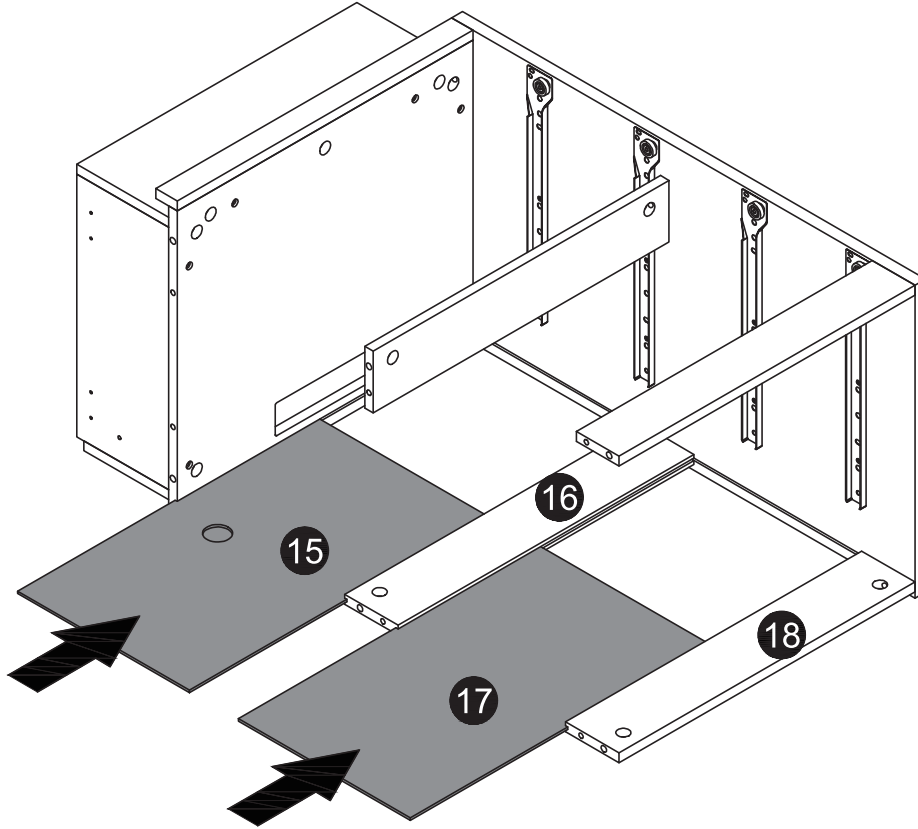
7



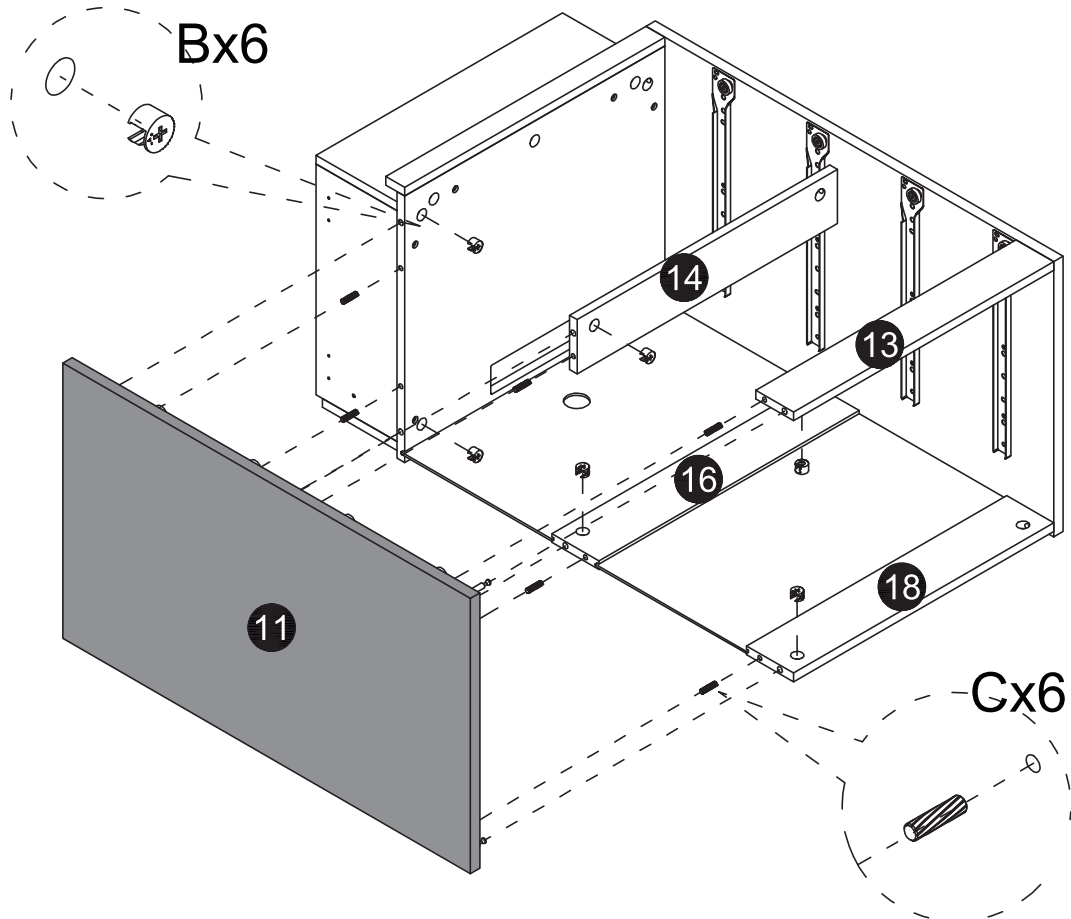
8

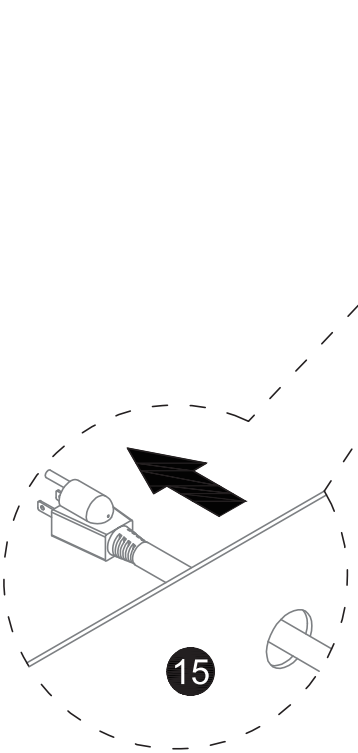
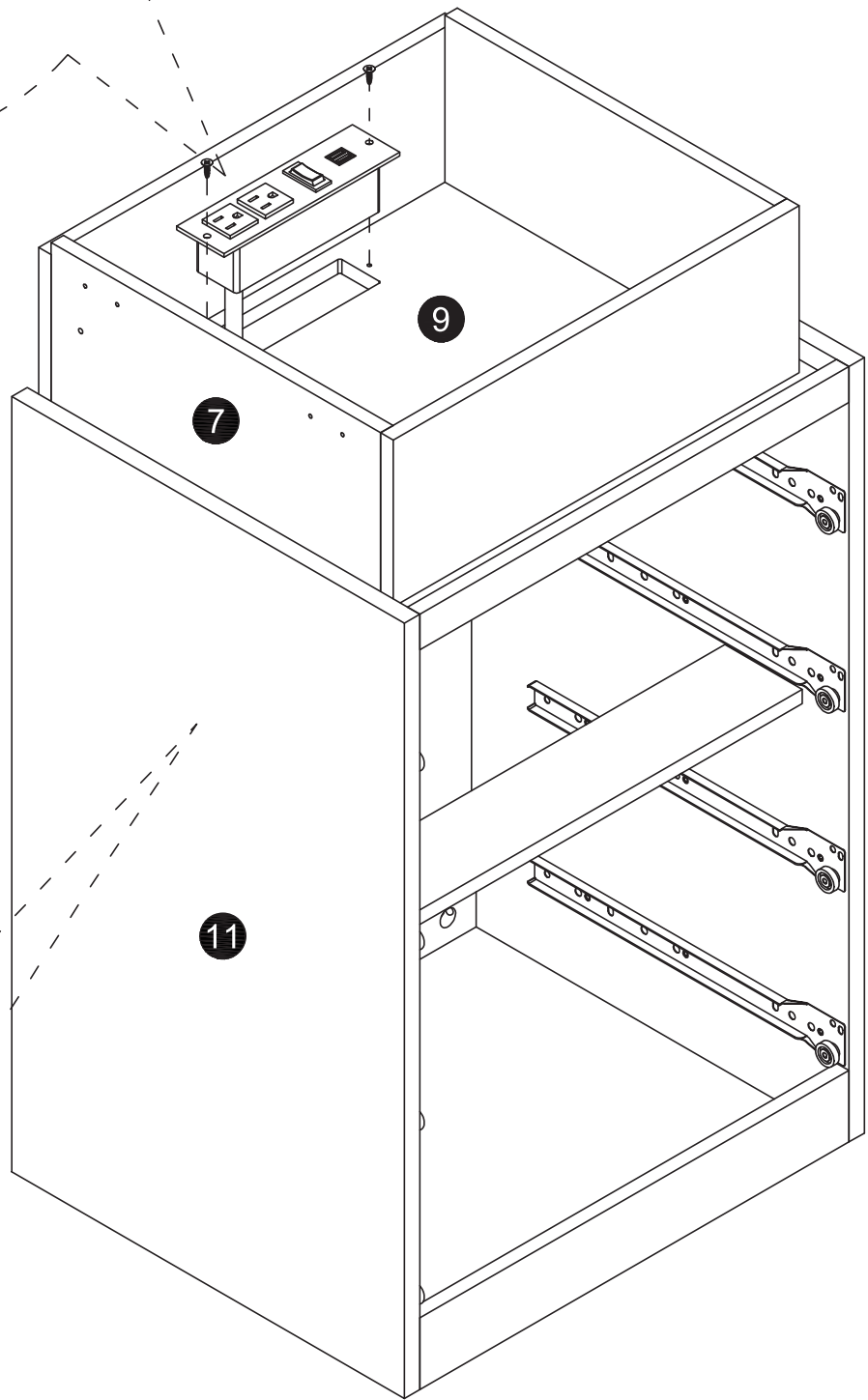
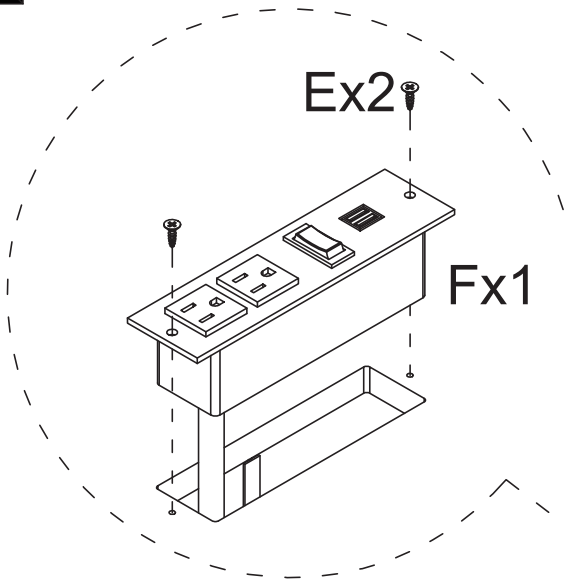


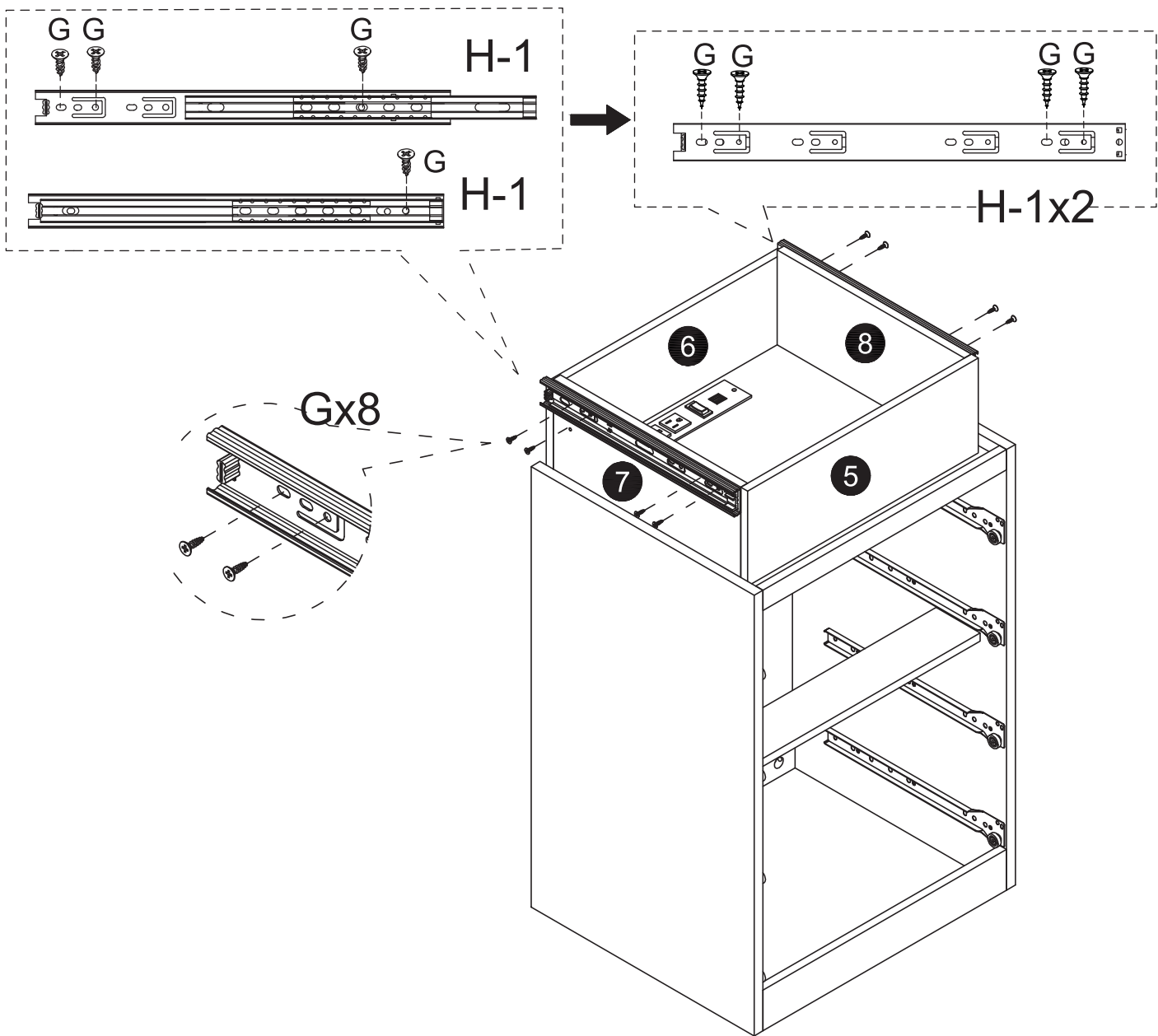
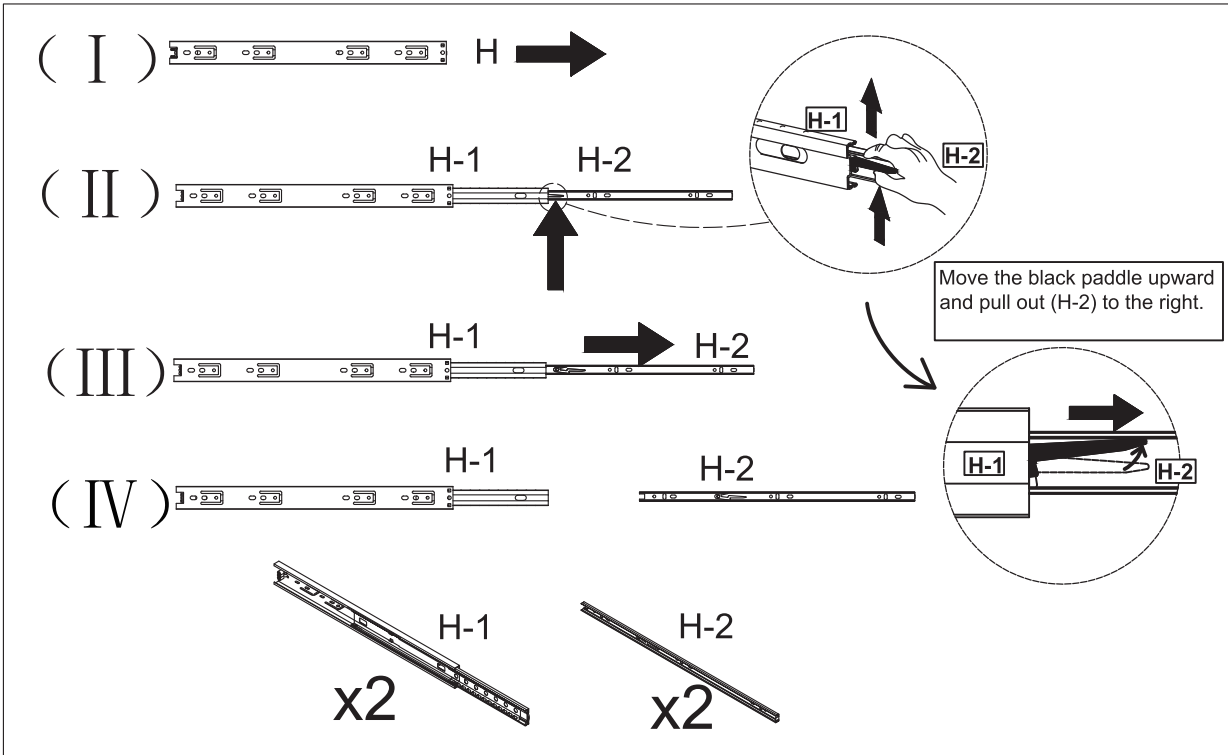
9

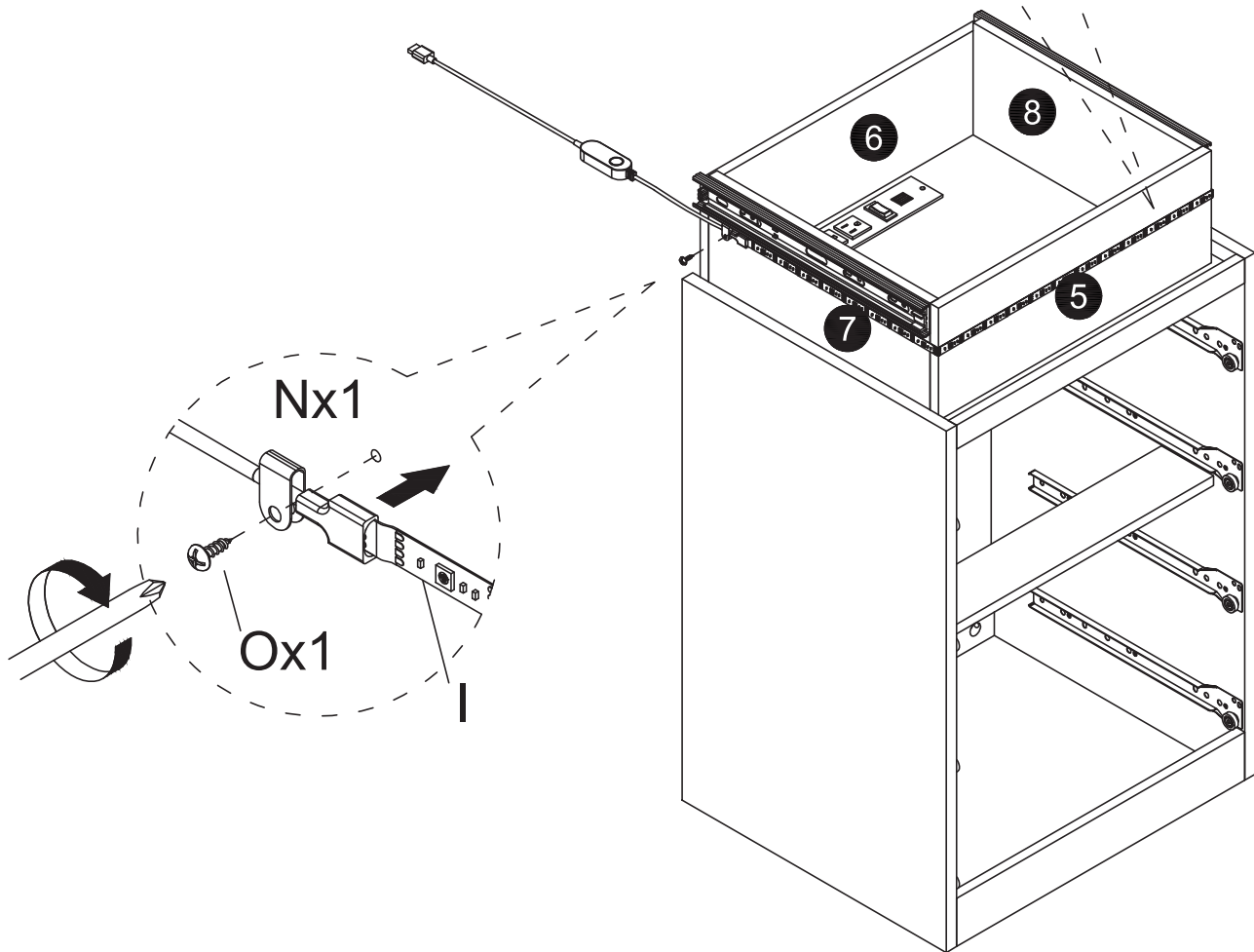
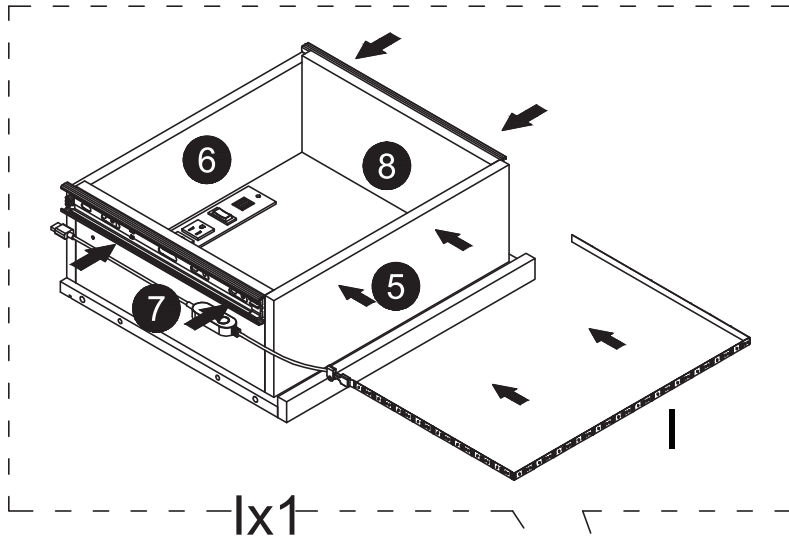
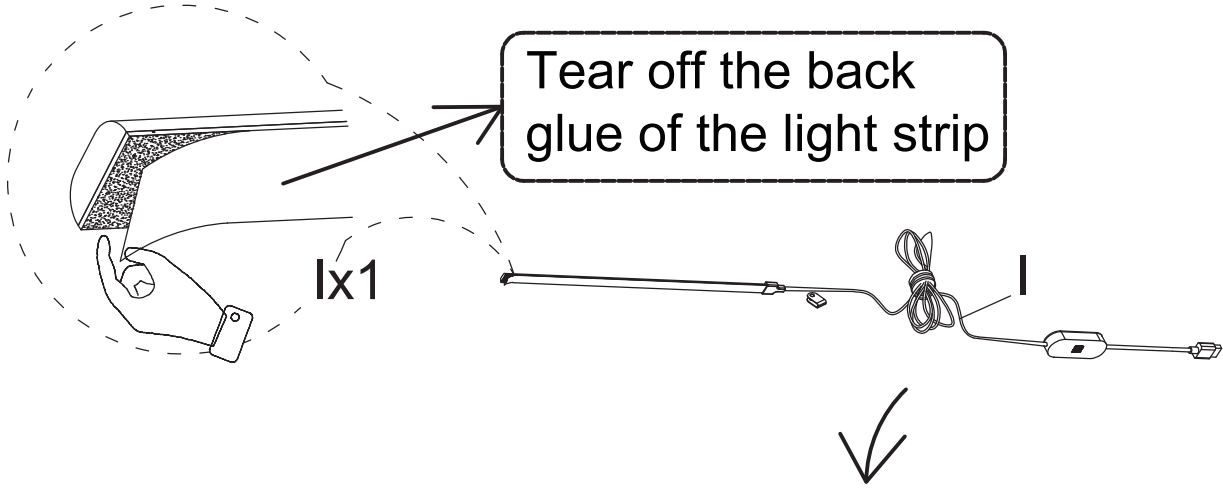


10



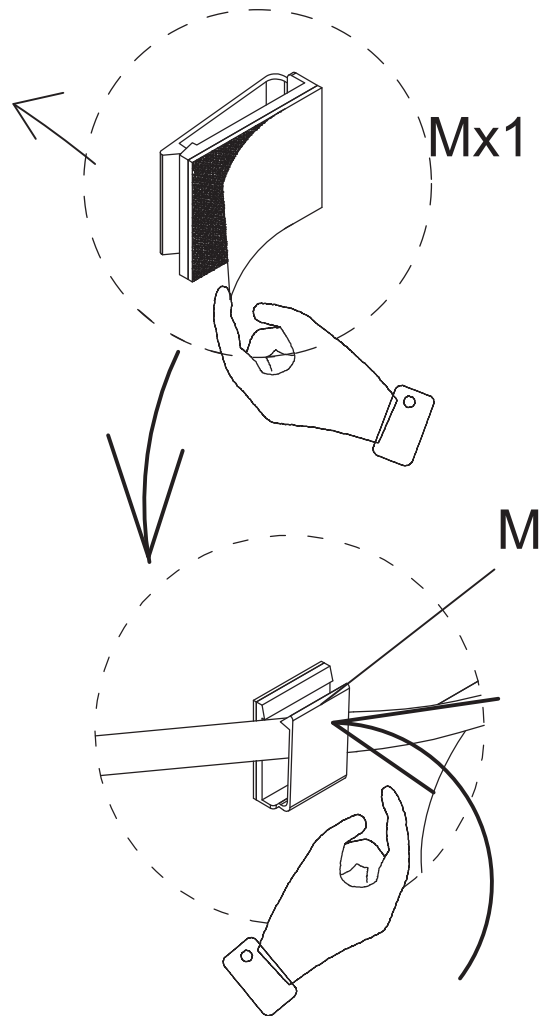
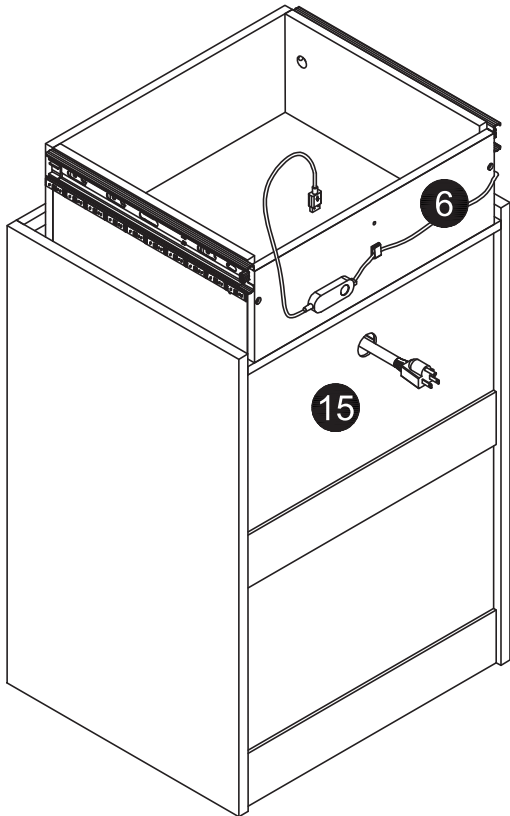






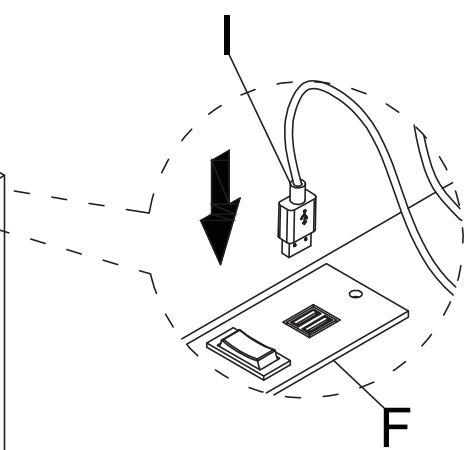
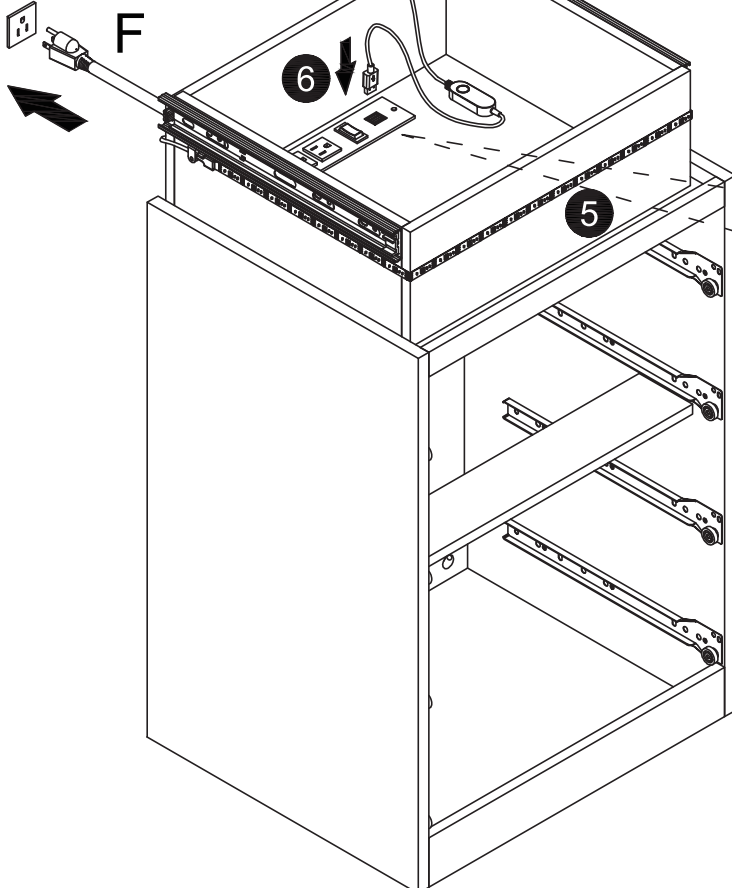
14

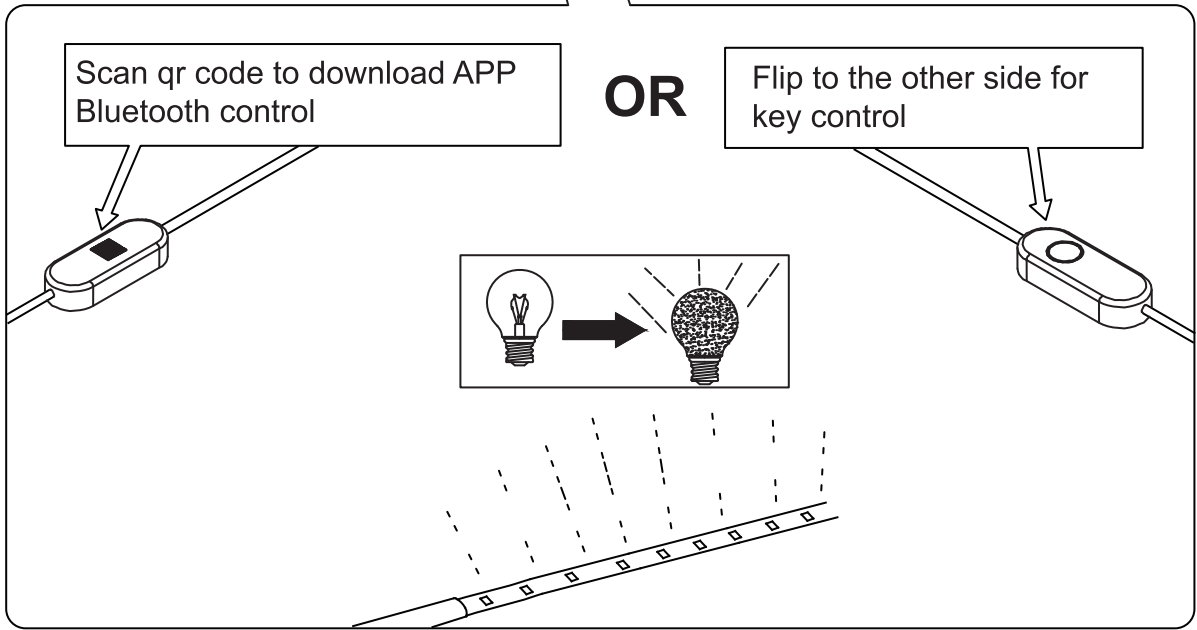
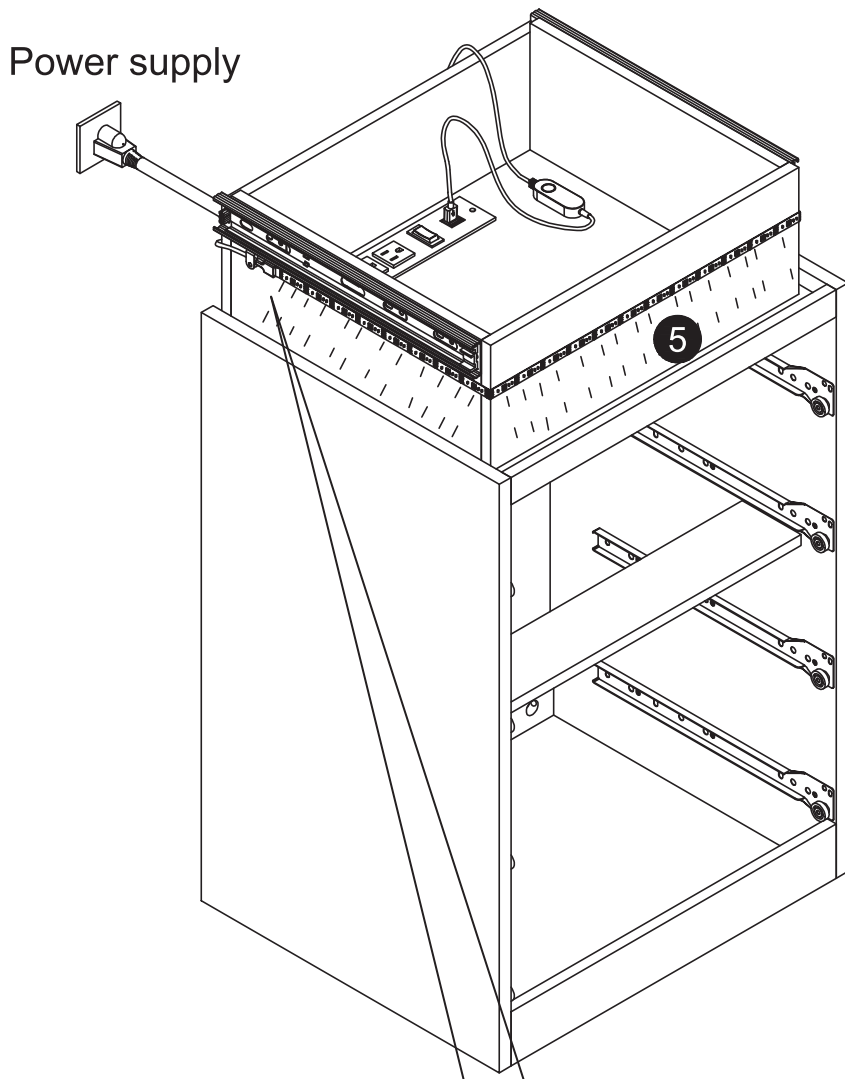
Tear off the back glue of the plastic fastener



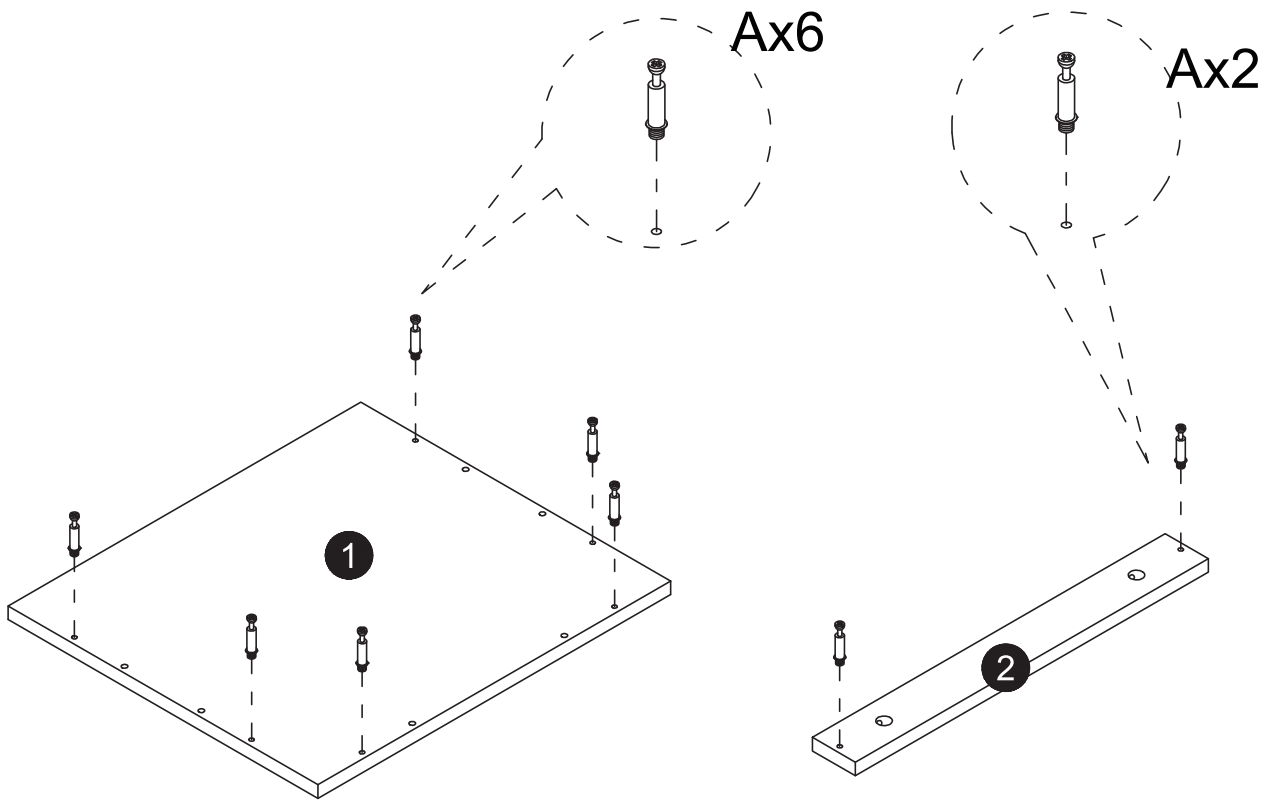
15

Power supply

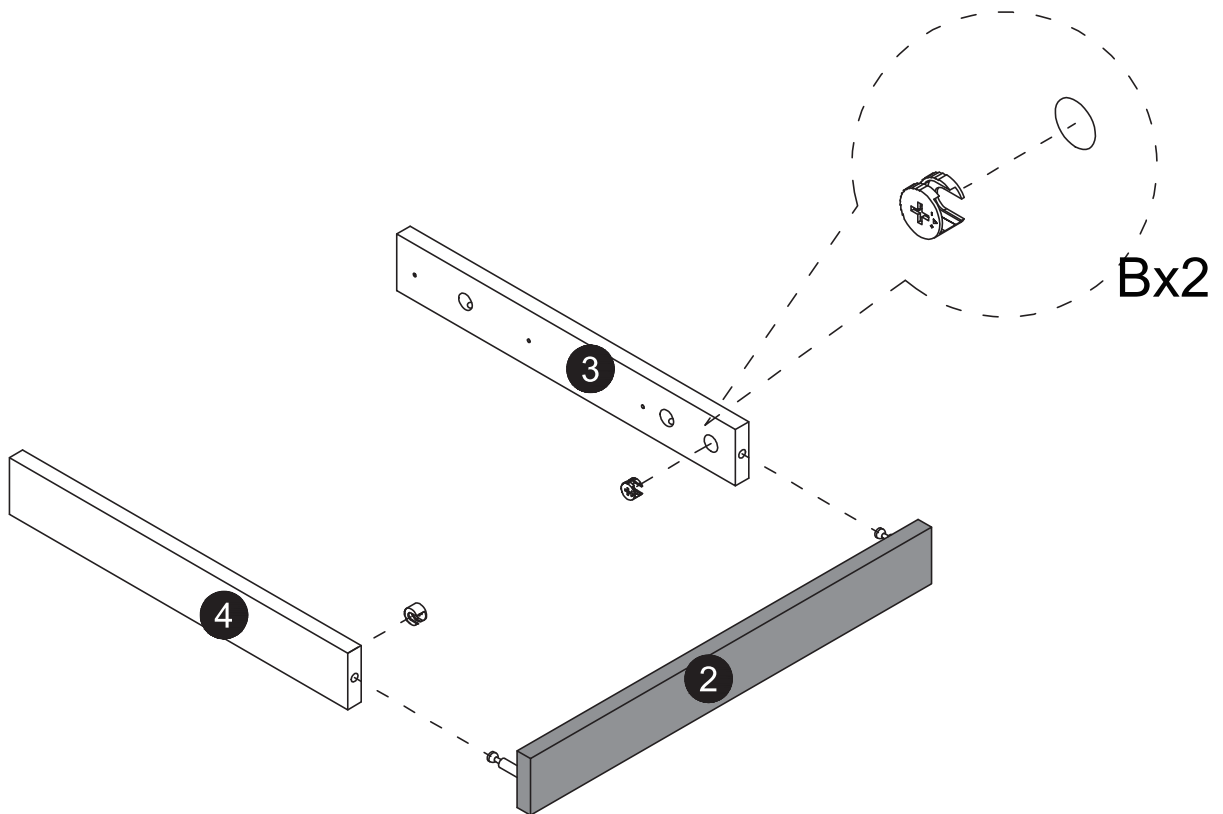




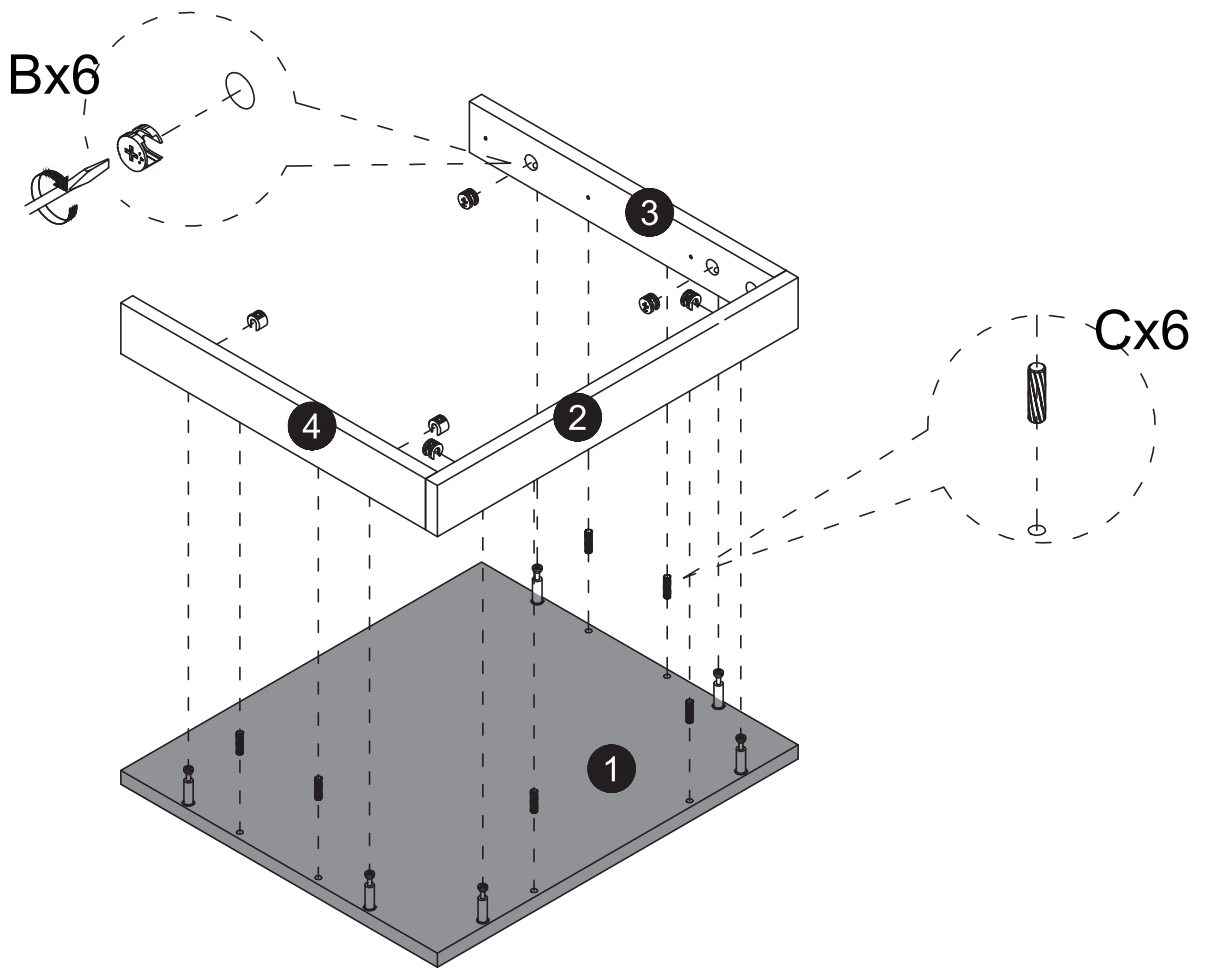
17



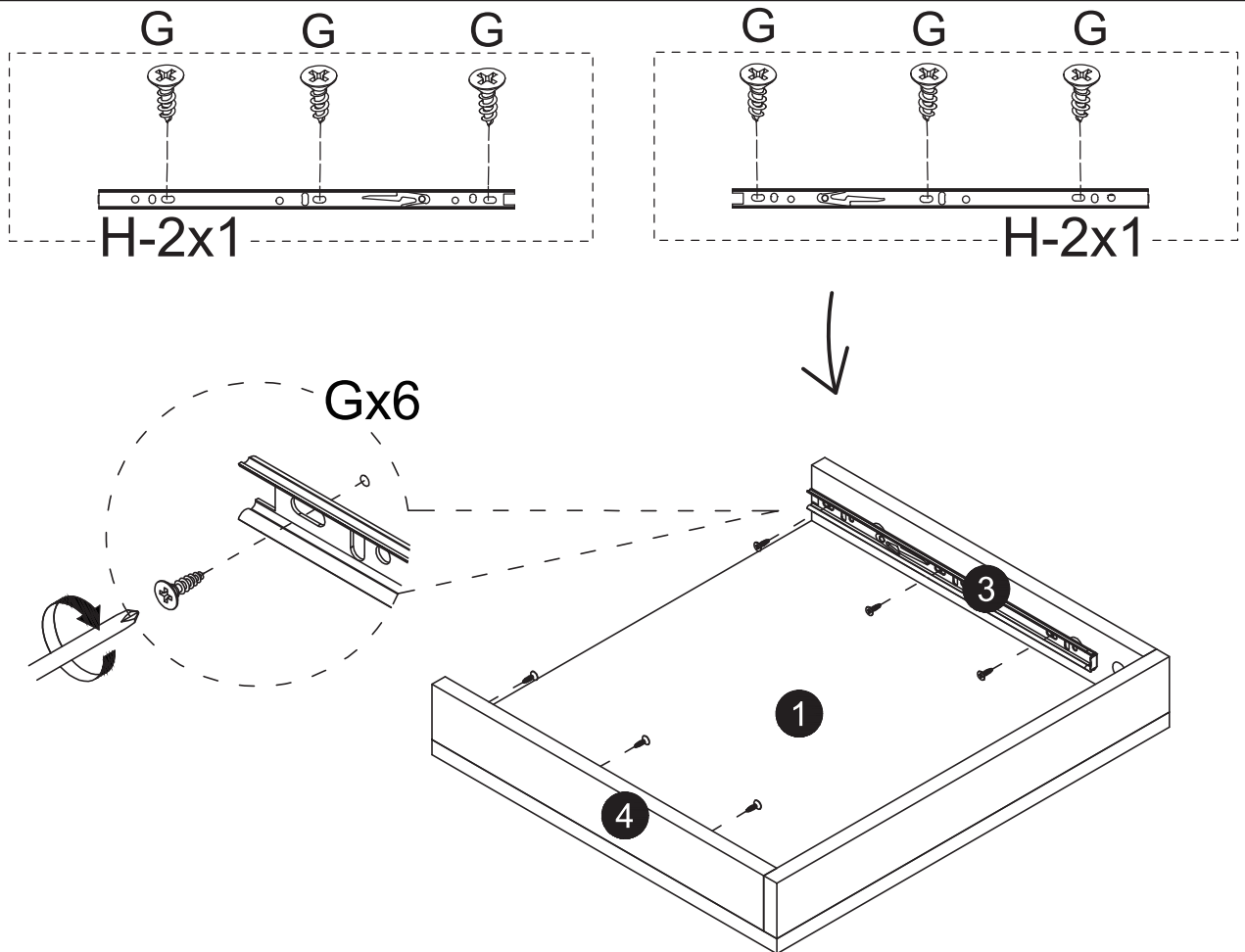
18



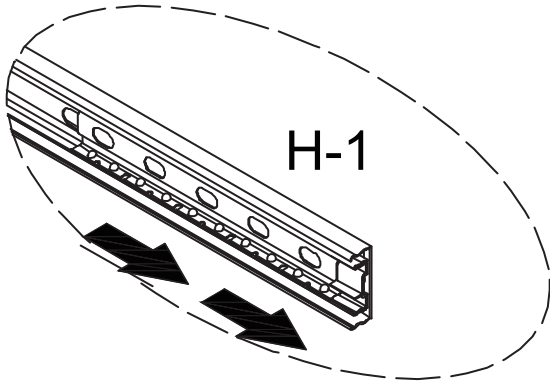
19



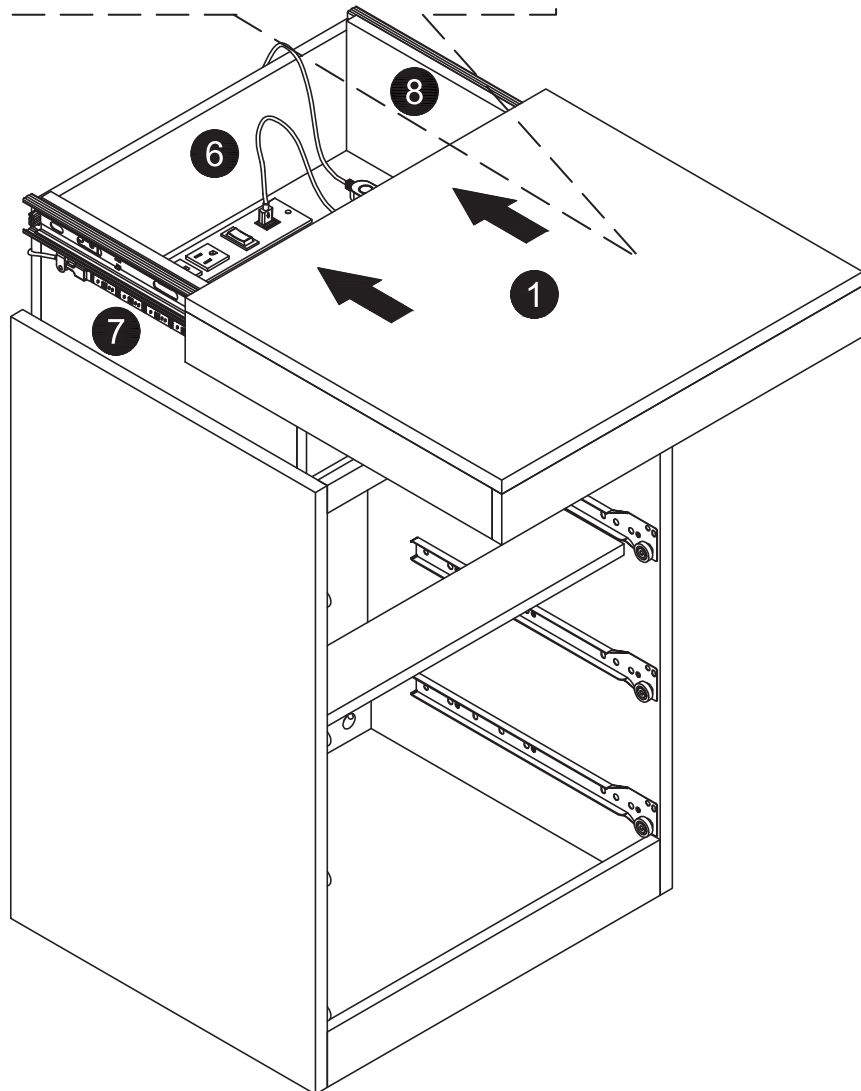
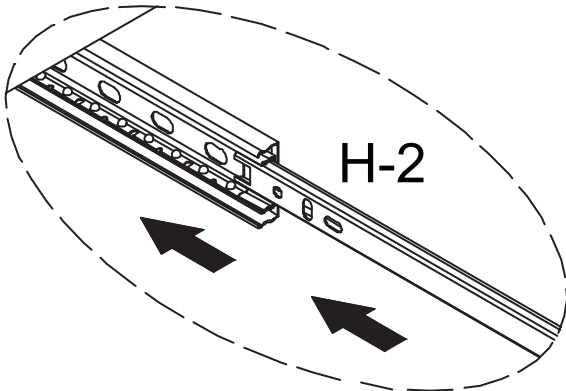
20



I



II



Drawer



A

x16



B

x16



D

x16



G

x24



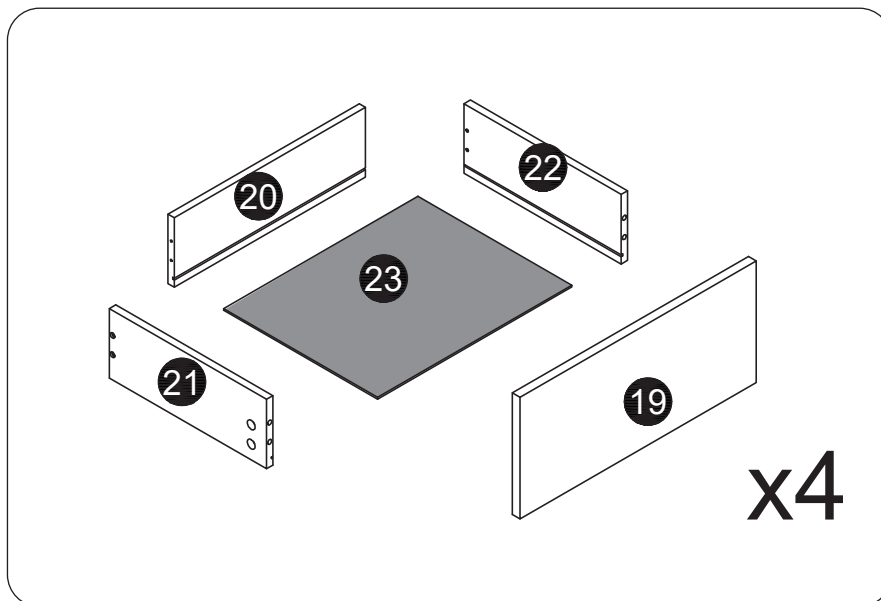
DL

x4



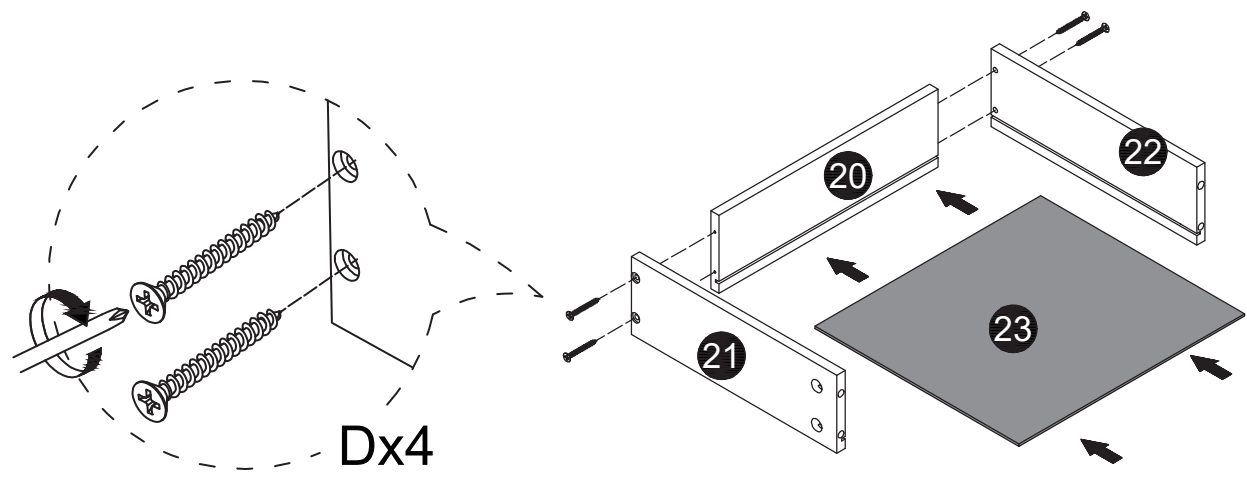
DR

x4



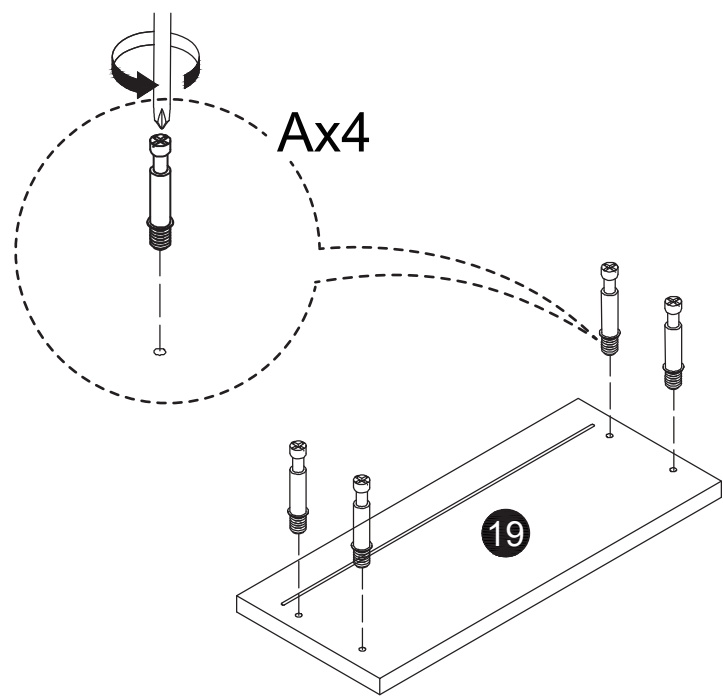
22

x4



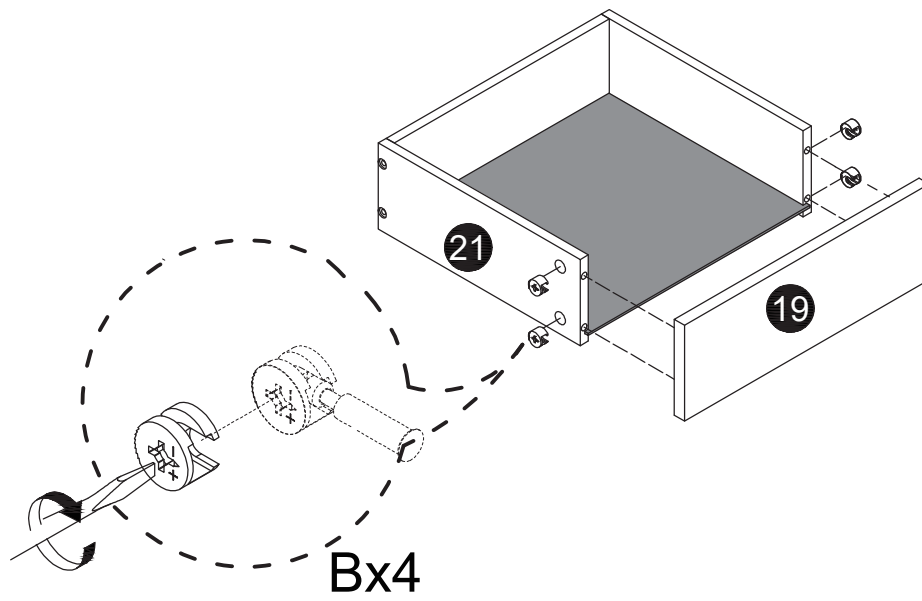
23

x4



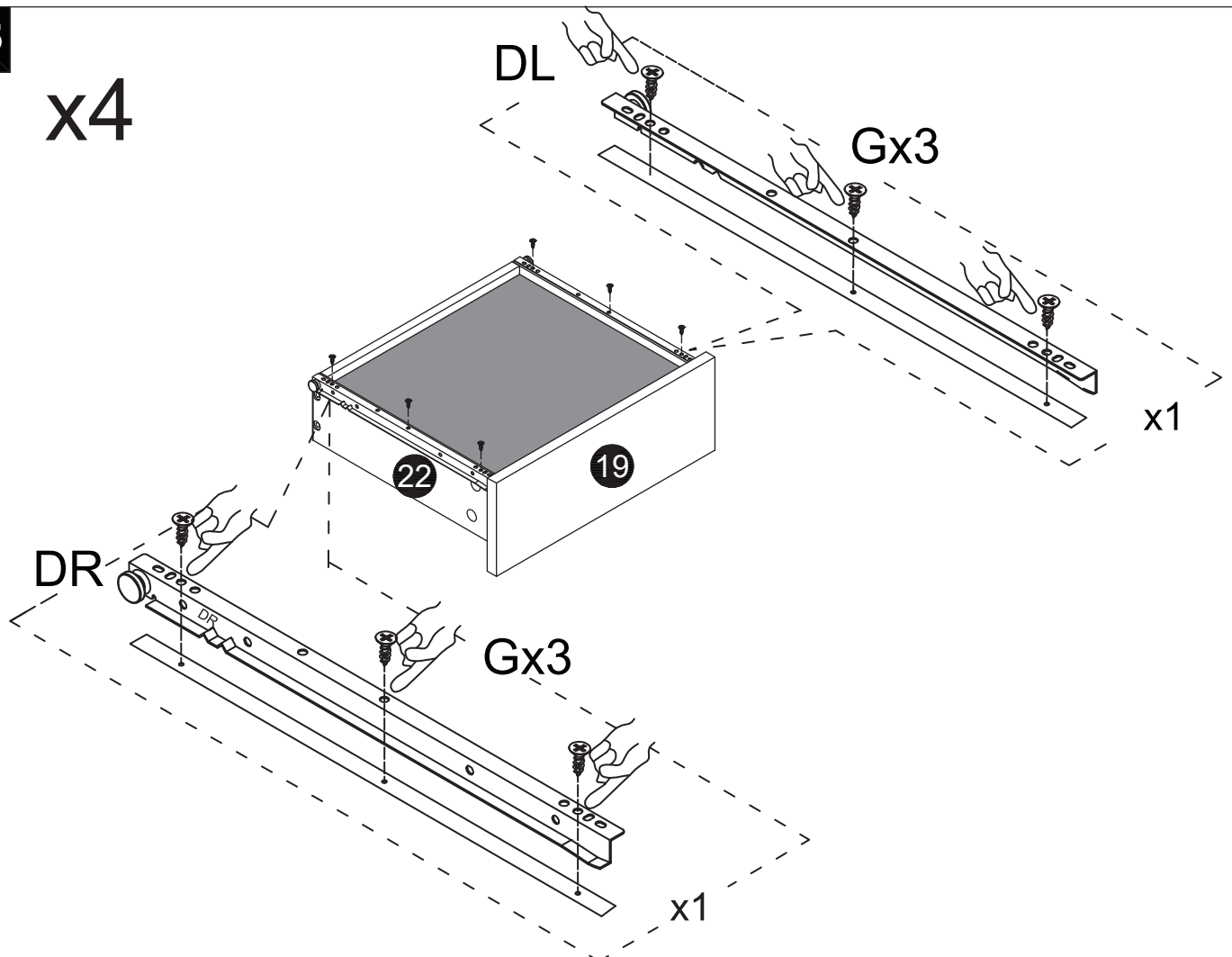
24

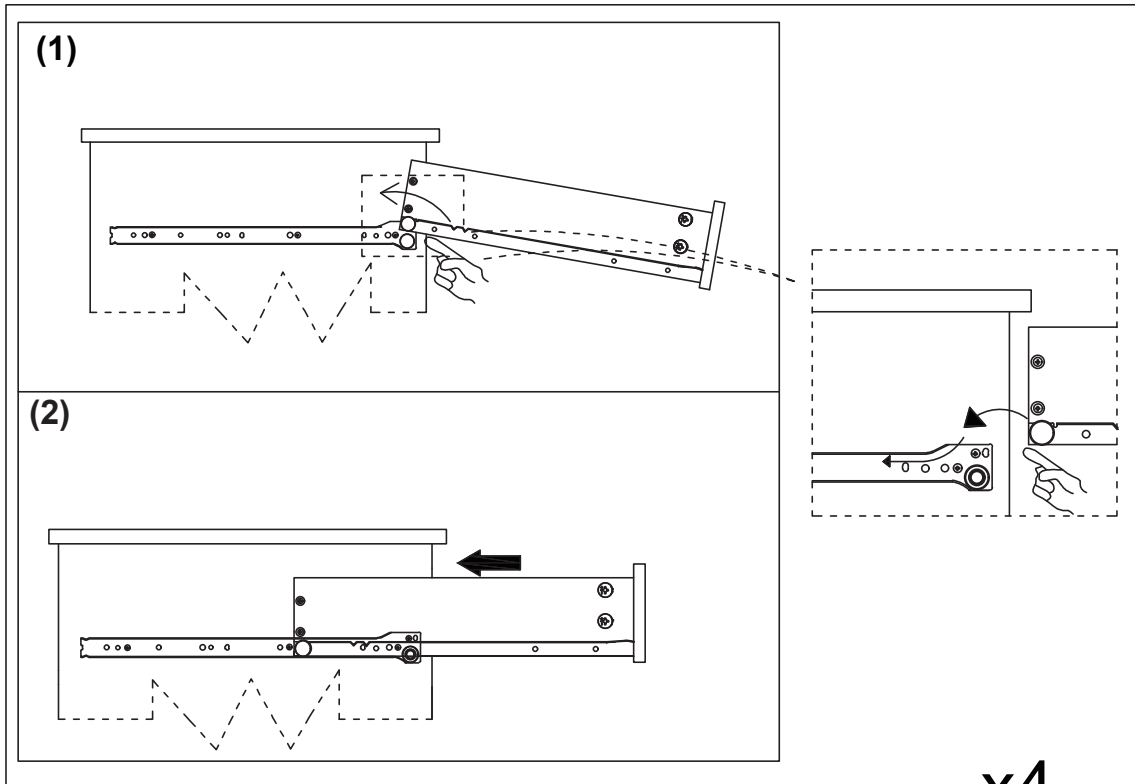
x4



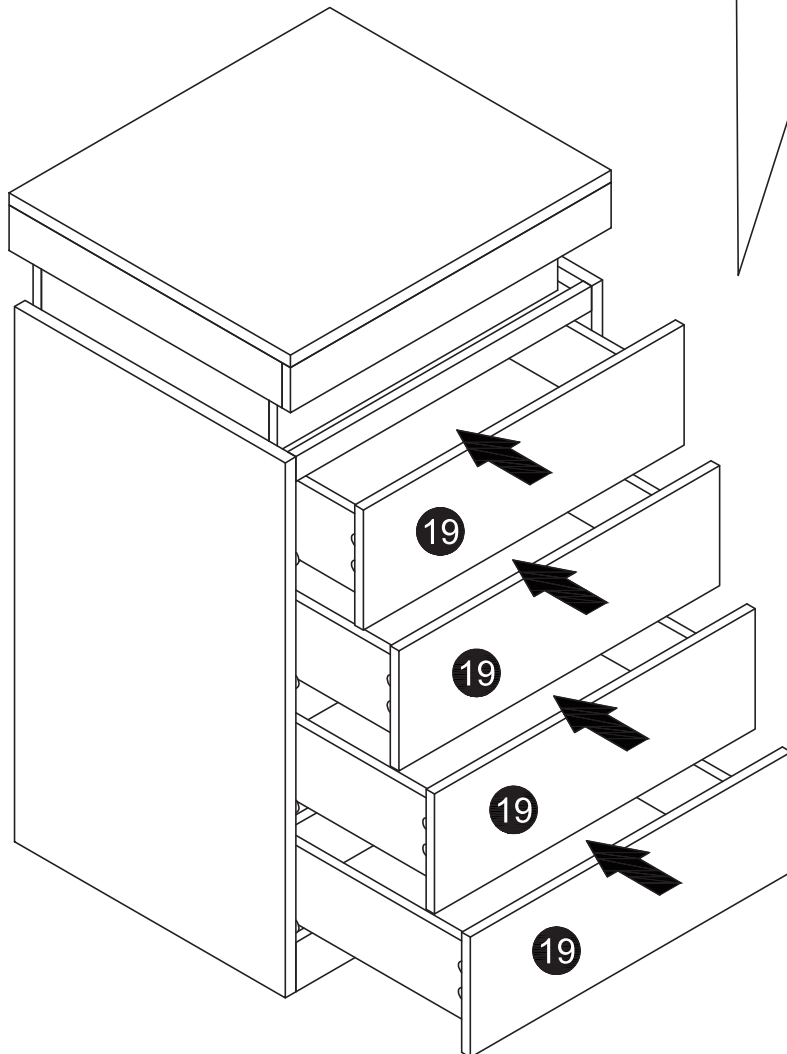
25

x4

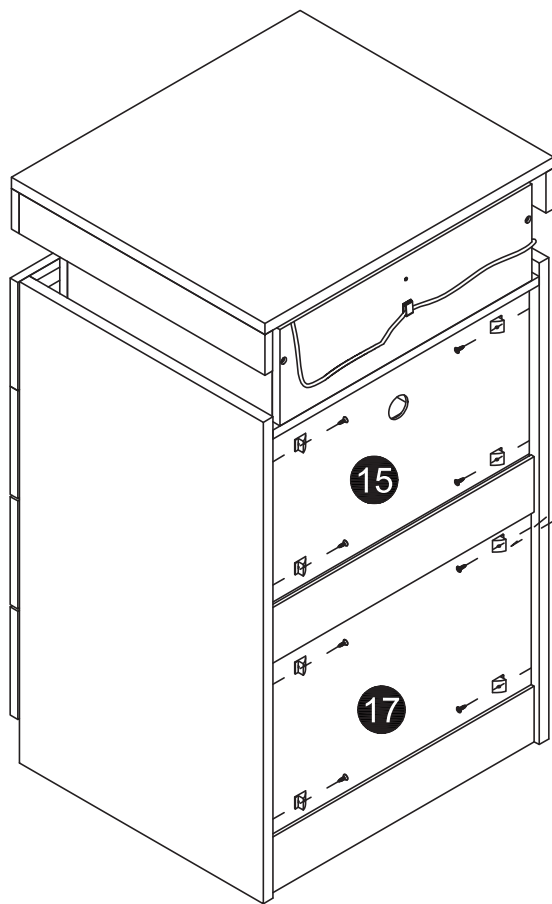




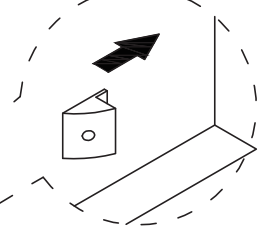
x4



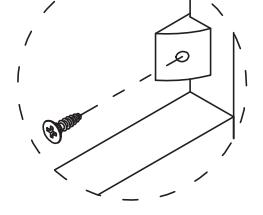
27



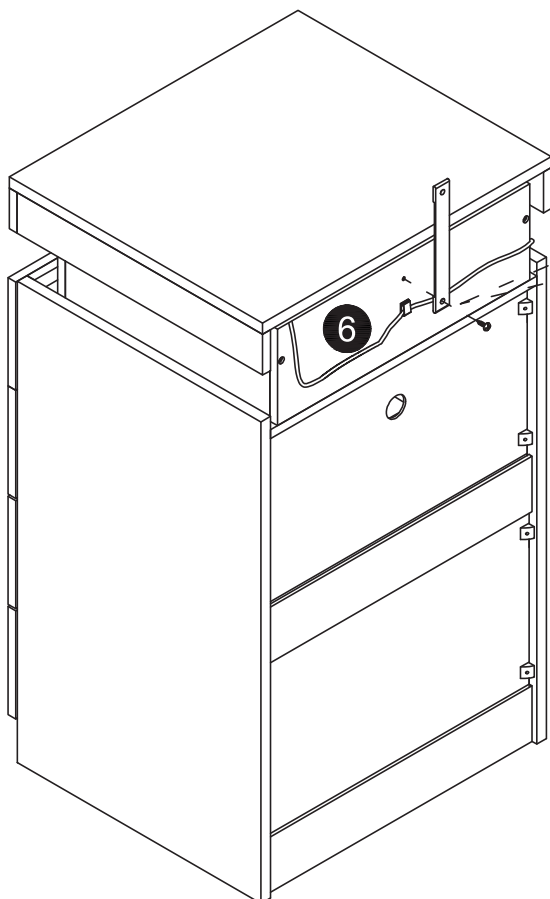
J-1x8



J-2x8



28



K-1

Kx2

K-2

