

DESCRIPTION

- Oval undermount sink with overflow
- White vitreous china
- High gloss porcelain finish
- No faucet holes; requires wall or counter-mounted faucet
- Drain not included

STANDARDS

- ASME A112.19.2/2018 CSA B45.1
- ADA compliant with proper installation

WARRANTY

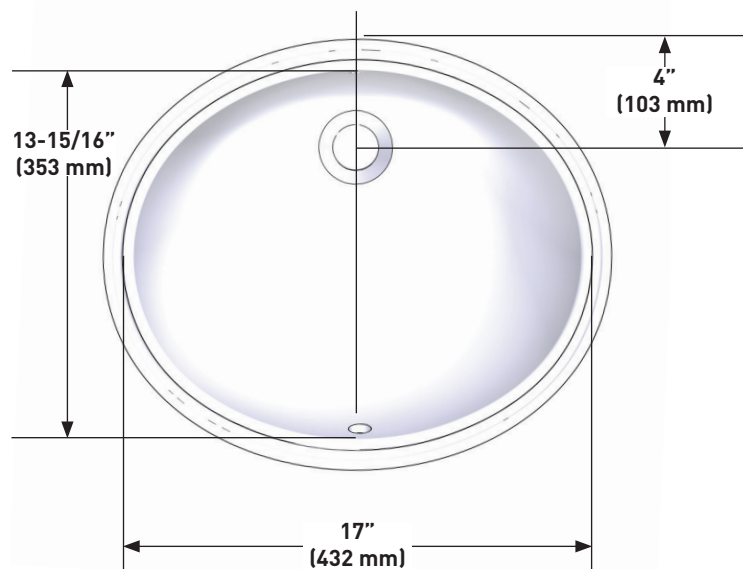
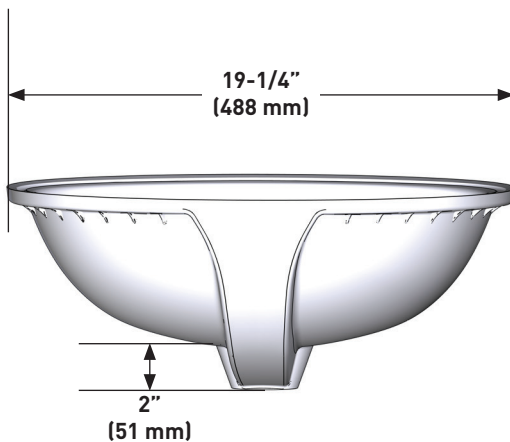
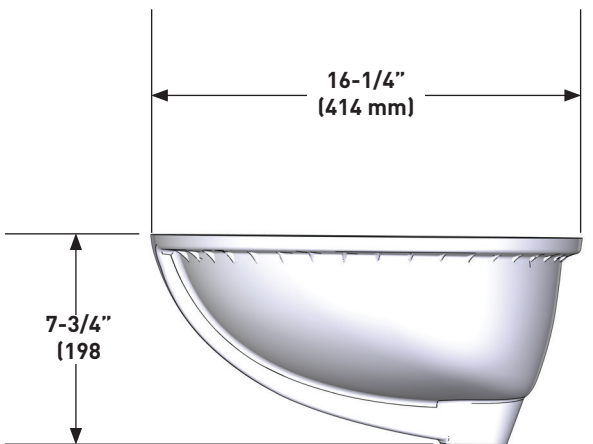
- 5 year limited warranty



Undermount Sink

MODELS: BGCW100U1619

NOTE: Refer to installation instructions supplied with Undermount Sink for undermount, countertop or above custom installations.



CRITICAL DIMENSIONS DO NOT SCALE