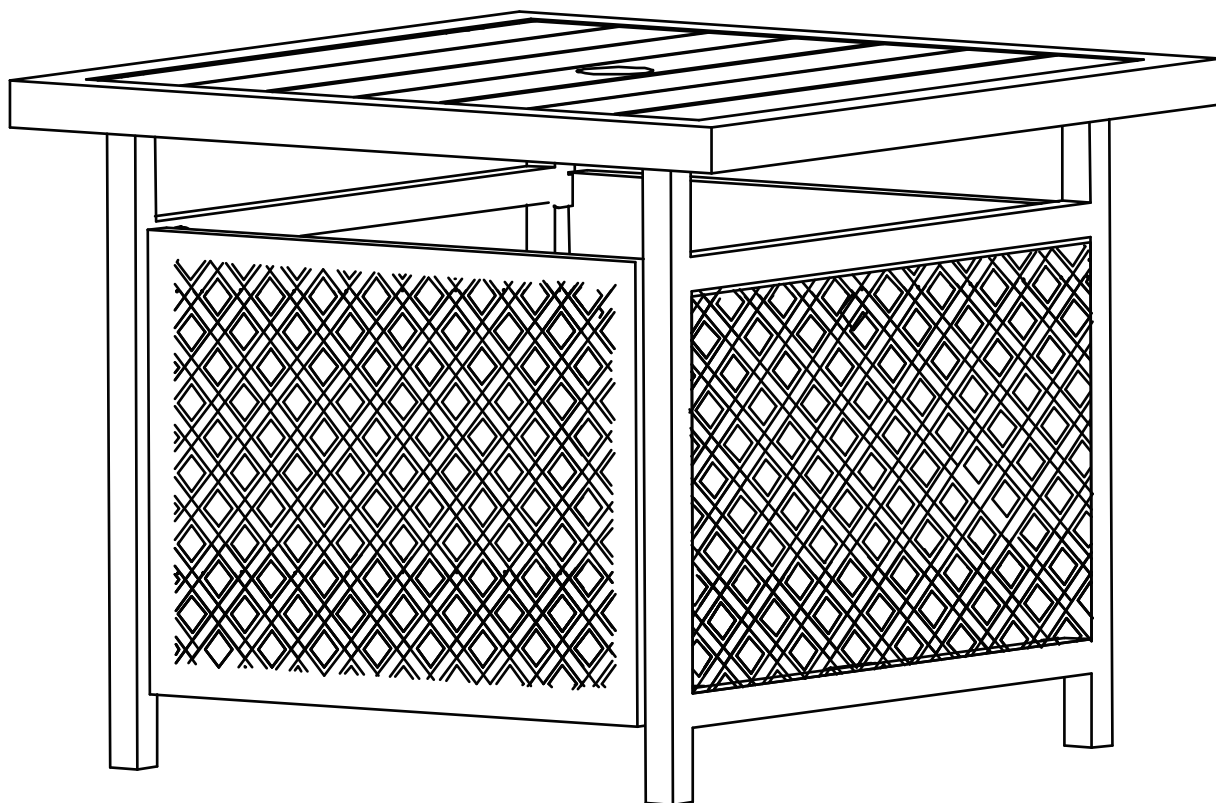


# ASSEMBLY INSTRUCTIONS

## — Steel Umbrella Side Table —

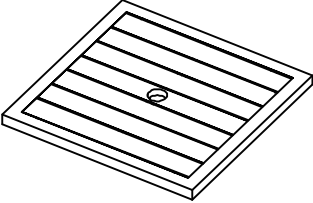
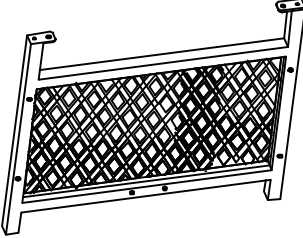
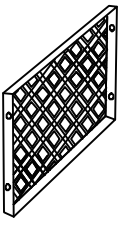
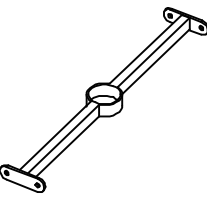
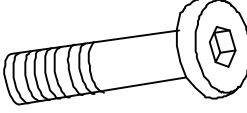
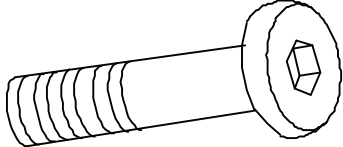
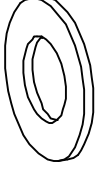
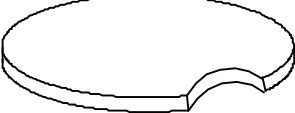

Thanks for choosing our product. Please kindly check parts listed below and read this manual carefully, then assemble them step by step. Please feel free to contact us for any questions.



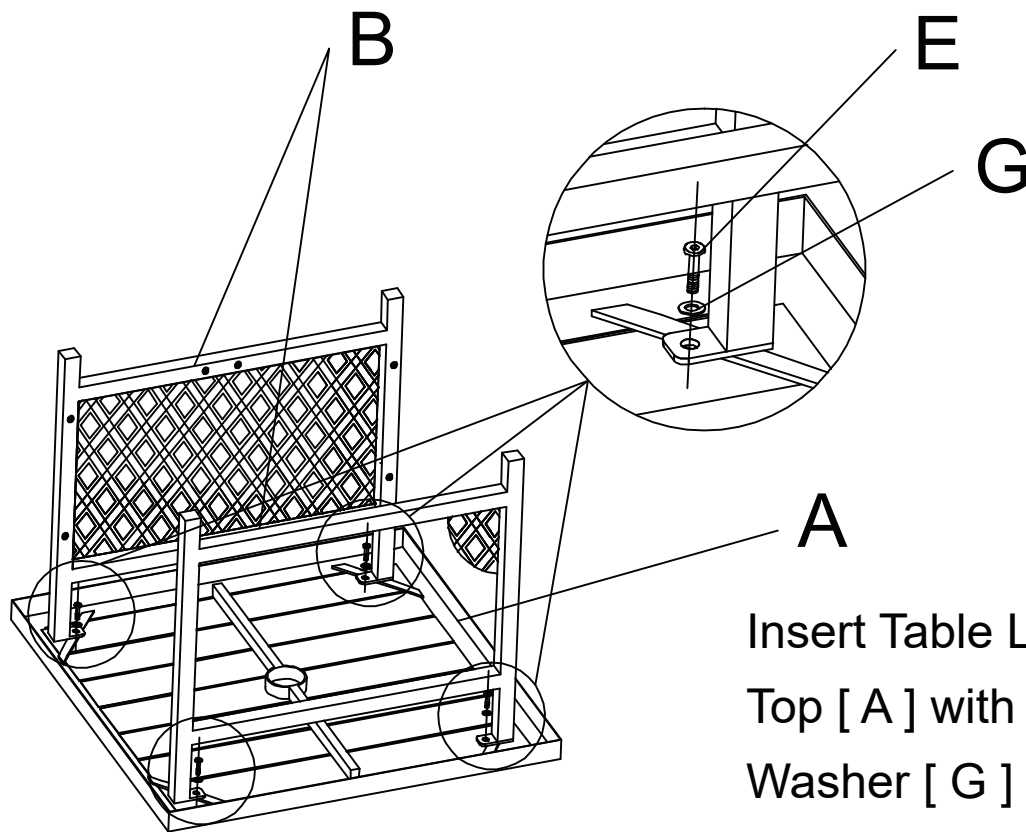
## ATTENTION

1. If there is any part missing, please kindly send us messages to let us know the name of missing part regarding to the first page of instructions. We will send replacement to you asap.
2. If there is any damage, please send clear photos about damaged part to us as attachment, we will check and offer you best solution soon.
3. We are concerned about each customer's experience, if there is any loss or damage, please contact us at any time, we will provide effective solutions.

# Part List

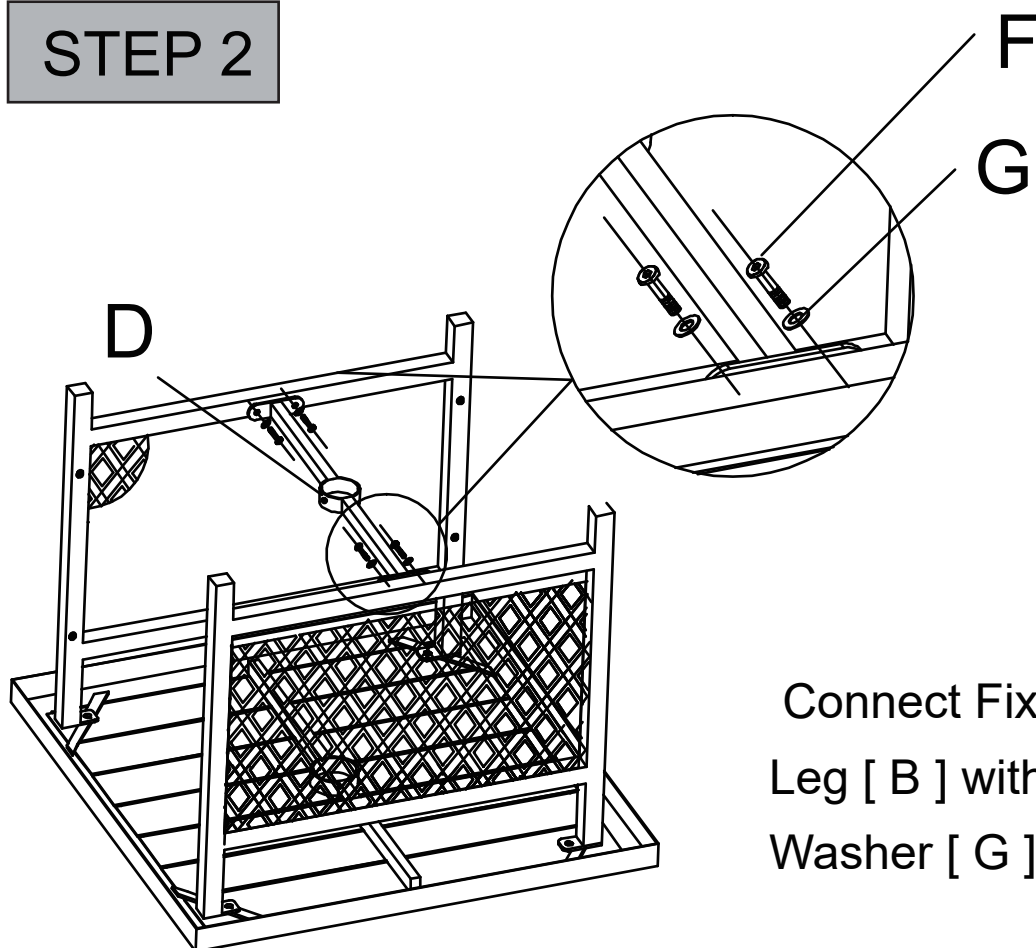
A x1  Table Top	B x2  Table Leg	C x2  Side Panel
D x1  Bottom Fix Pole	E x12  M6*10 Screws	F x4  M6*15 Screws
G x16  Washer	H x1  Plastic Hole Cap	I x1  Allen Wrench

**STEP 1**



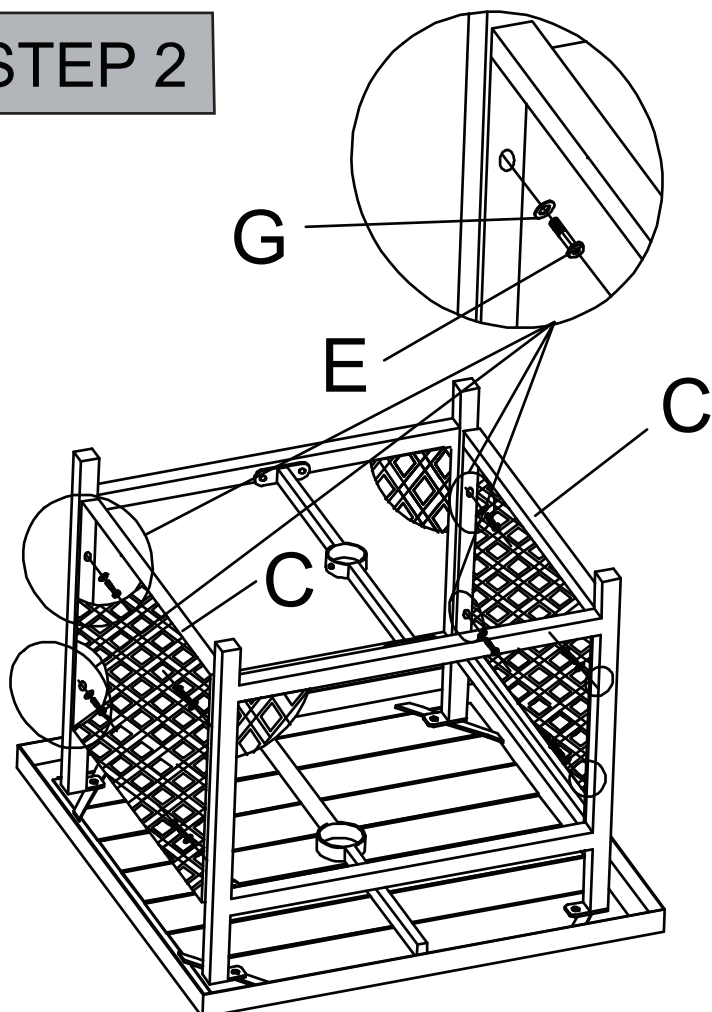
Insert Table Leg [ B ] to Table Top [ A ] with Screw [ E ] and Washer [ G ] by Allen Wrench [ I ].

## STEP 2



Connect Fix Pole [ D ] to Table Leg [ B ] with Screw [ F ] and Washer [ G ] by Allen Wrench.

## STEP 2



Connect Side Panel [ C ] to Table Leg [ B ] with Screw E and Washer [ G ] by Allen Wrench.

## STEP 4

Put the Hole Cap [ H ] to Umbrella Hole on the Table Top.

