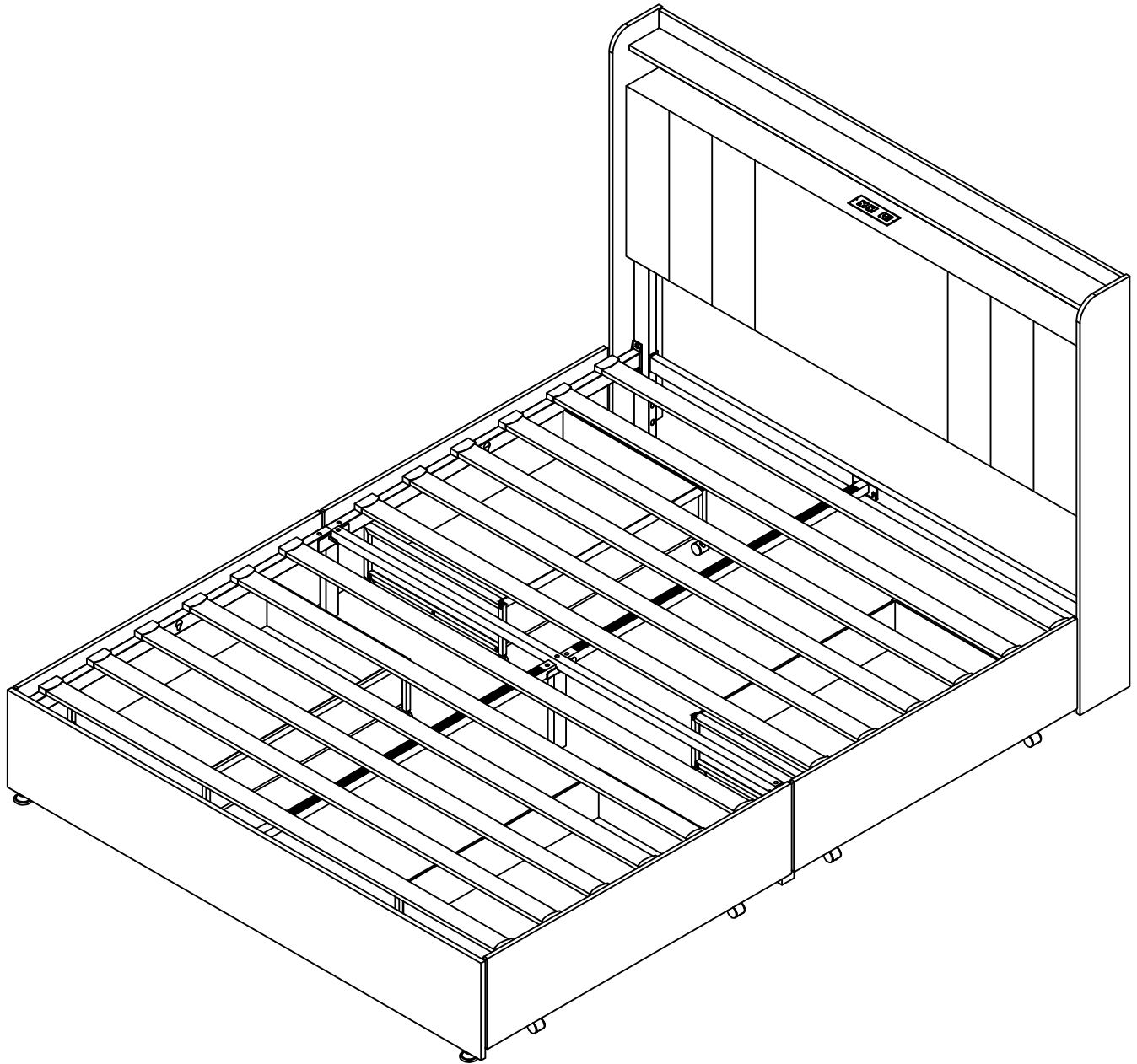


Side Storage Bed Frame With Drawer Assembly Instructions



PLEASE READ CAREFULLY BEFORE ASSEMBLY!

CONTENTS

- Top Tips -----P1
- Parts List -----P2-P4
- Assembly Steps -----P5-P18
 - Headboard -----P5
 - Frame -----P6
 - Charging Station -----P12
 - Light Strip -----P13
 - Drawer-----P15

Important Information

TOP TIPS:

- Before starting to assemble, please properly identify and sort all the parts listed, if you find some parts are missing, please do not continue to assemble and contact us
- Do not dispose of any packaging or contents of the shipping carton until assembly is completed to avoid accidentally discarding small parts or hardware
- Please use appropriate padding and protective materials to prevent scratches to the bed frames during the move
- Please use the included screws and tools, and do not use other power tools to avoid damage to the bed
- To be assembled by two adults - some parts are big and heavy! If assembled by one person, the assembly time will be longer
- Please tighten the screws after each step of assembly to ensure the stability of the bed frame
- After assembly, please lift the drawer and get the slot lined up to lock it
- The manufacturer's instructions shall be followed at all times. Please feel free to MESSAGE US if you have any problems

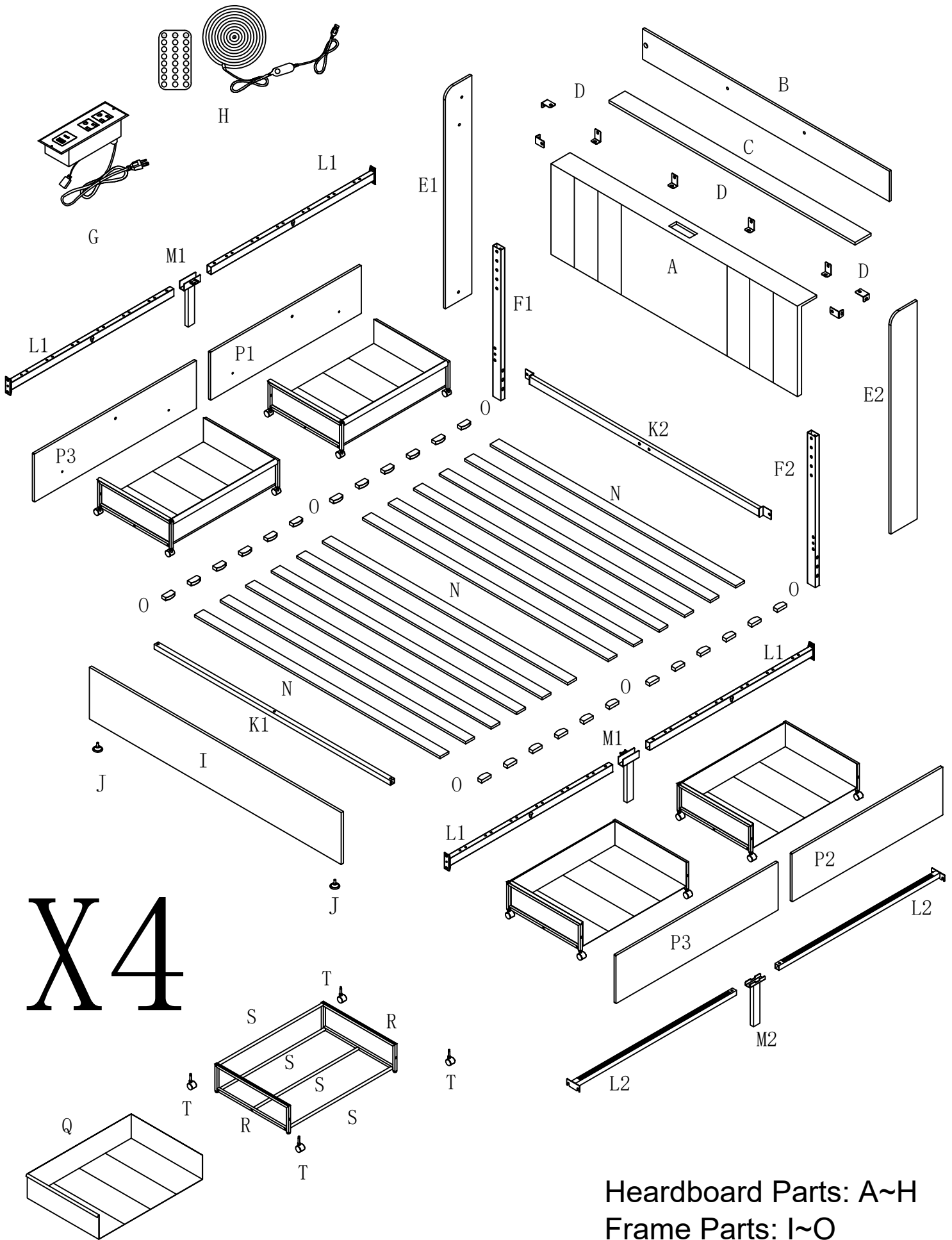
SAFETY WARNINGS:

- The adult must check assembly before use
- Keep all screws, small parts, and plastic bags out of the reach of children
- Hardware may loosen over time. Periodically check to make sure all connections are tight. Re-tighten if necessary
- Do not expose to direct sunlight, excessive temps, or near sources of ignition to avoid bed damage or fire risk
- Do not jump on the bed. Never use your item if any of its parts are broken or missing

CARE INSTRUCTIONS:

- Dust often using a clean, soft, dry, and lint-free cloth
- When blot spills, wipe with a clean, damp cloth immediately
- To protect the finish, we do not recommend the use of chemical cleansers, abrasives, or furniture polish on our lacquered finish

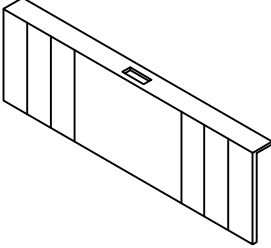
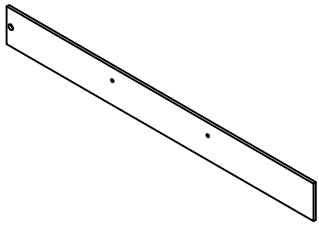
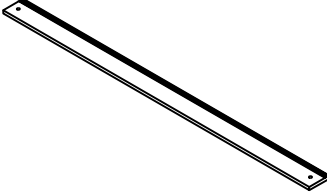
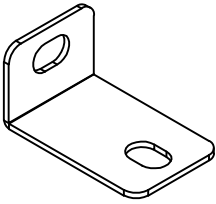




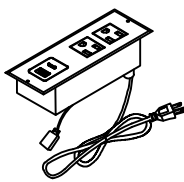
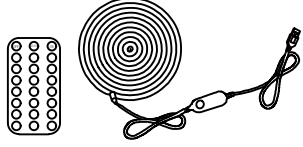
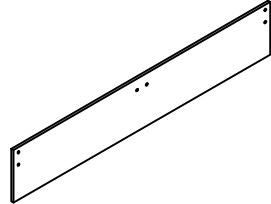
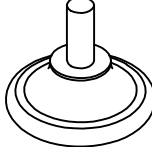
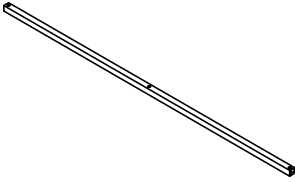
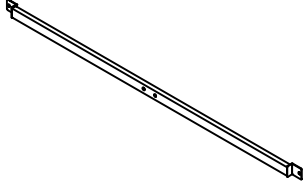
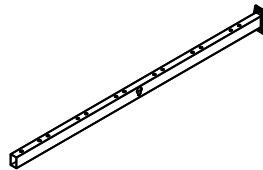
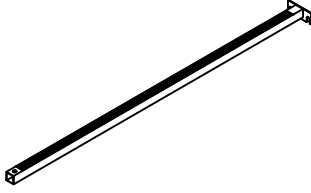
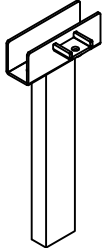
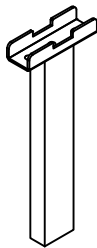
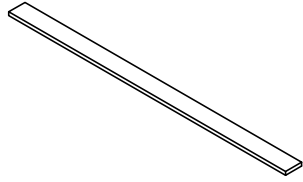
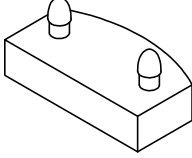
Part list

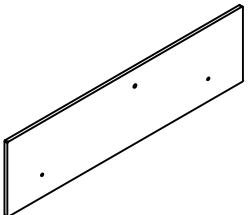
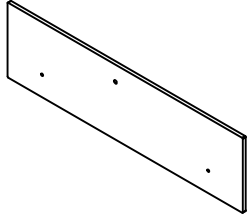
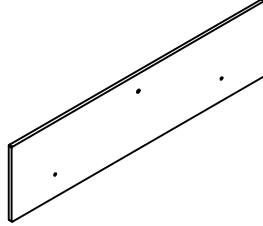
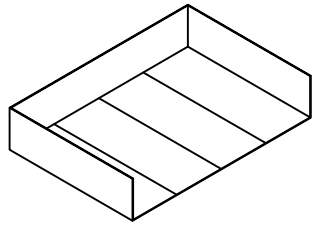
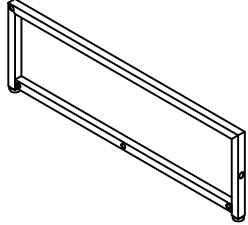
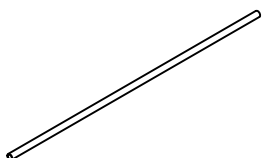
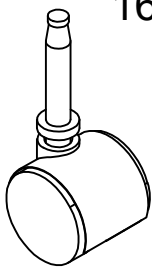


X4

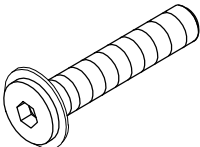
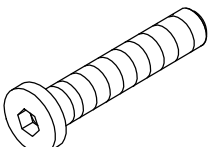
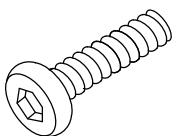
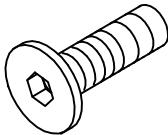
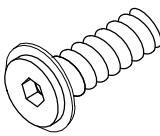
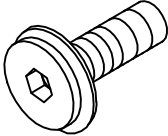
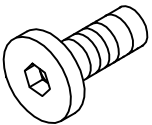
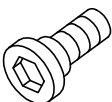
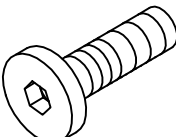
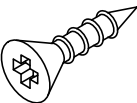
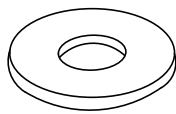
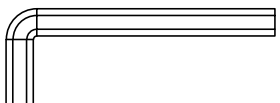
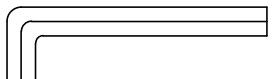
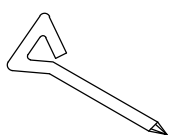
Headboard Parts: A~H
 Frame Parts: I~O
 Drawer Parts: P~T

Part List

A 1PC 	B 1PC 	C 1PC 	D 8PCS 
E1 1PC 	E2 1PC 	F1 1PC 	F2 1PC 
G 1PC 	H 1PC 	I 1PC 	J 2PCS 
K1 1PC 	K2 1PC 	L1 4PCS 	L2 2PCS 
M1 2PCS 	M2 1PC 	N 12PCS 	O 24PCS 

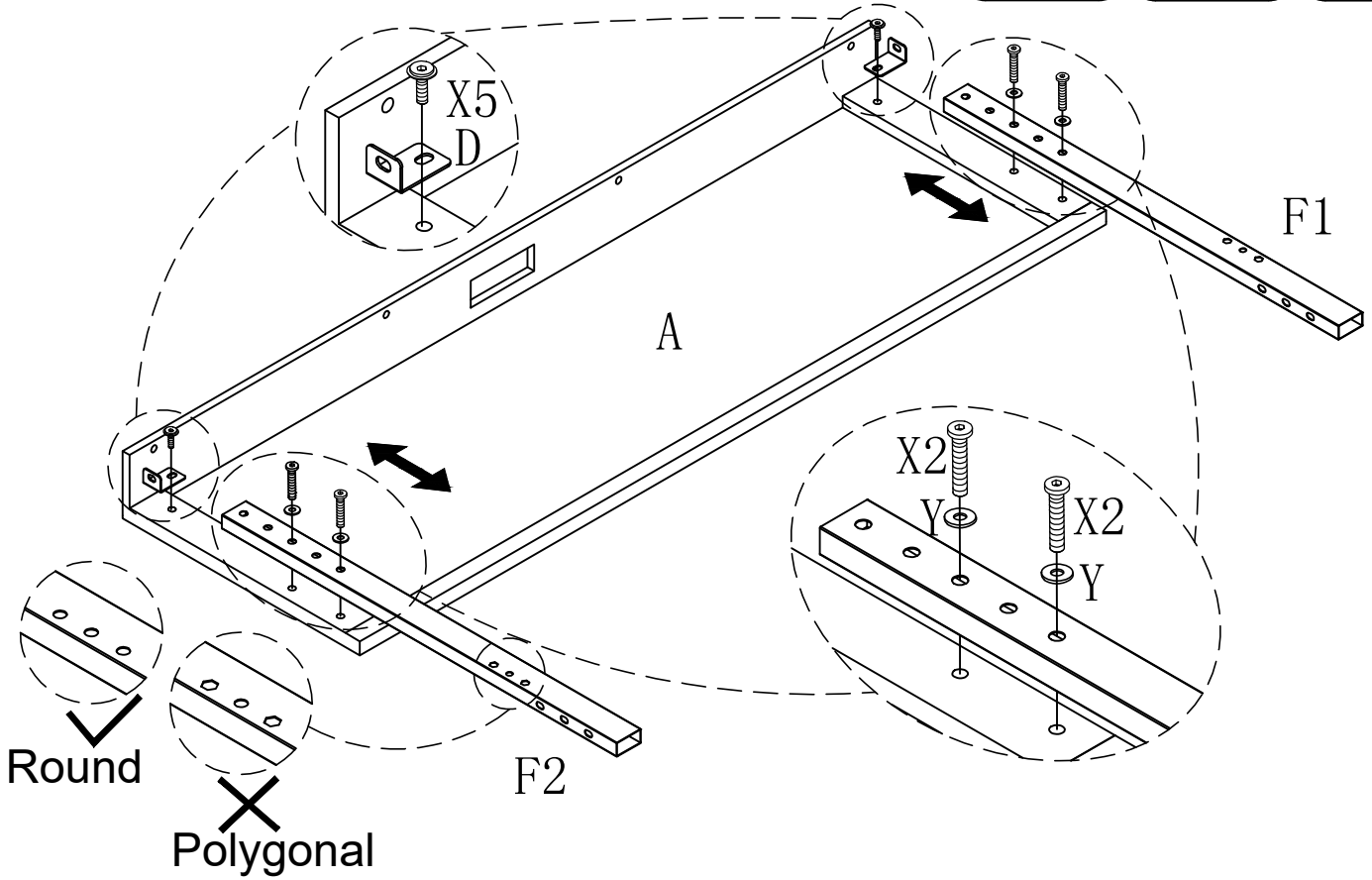
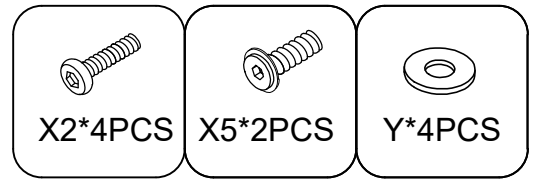
P1	1PC	P2	1PC	P3	2PCS	Q	4PCS
							
R	8PCS	S	16PCS	T	16PCS		
							

Hardware List

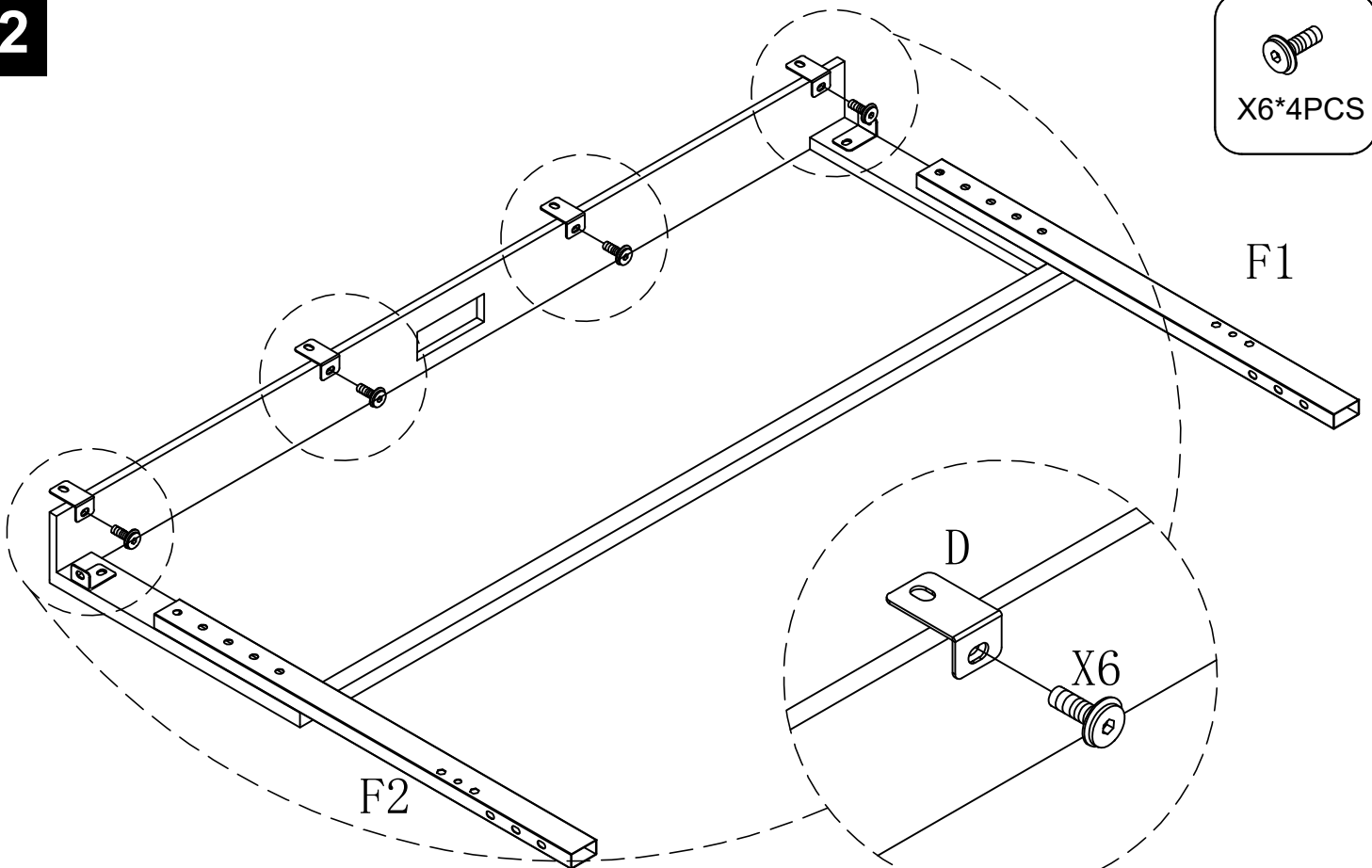
X1	2PCS	X2	11PCS	X3	4PCS	X4	2PCS
							
M8*63mm		M8*50mm		M8*40mm		M8*33mm	
X5	6PCS	X6	14PCS	X7	8PCS	X8	4PCS
							
M8*27mm		M8*16mm		M8*14mm		M8*12mm	
X9	40PCS	X10	2PCS	Y	12PCS	Z1	1PC
							
M6*25mm		M3*15mm		$\phi 22 * \phi 8.5$		M8	
Z2	1PC	Z3	1PC				
							
M6		M8					

Headboard Assembly Steps

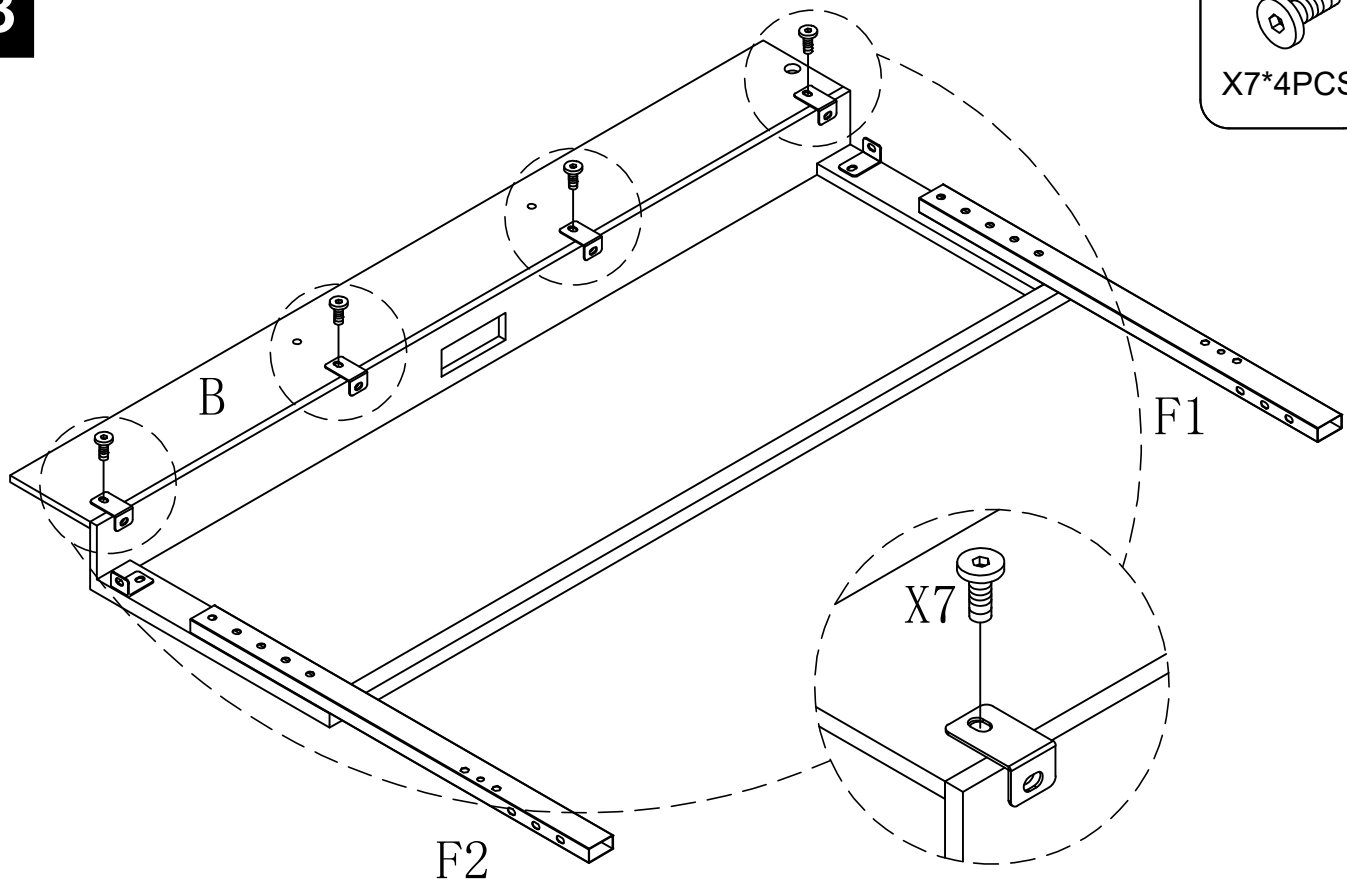
1



2



3

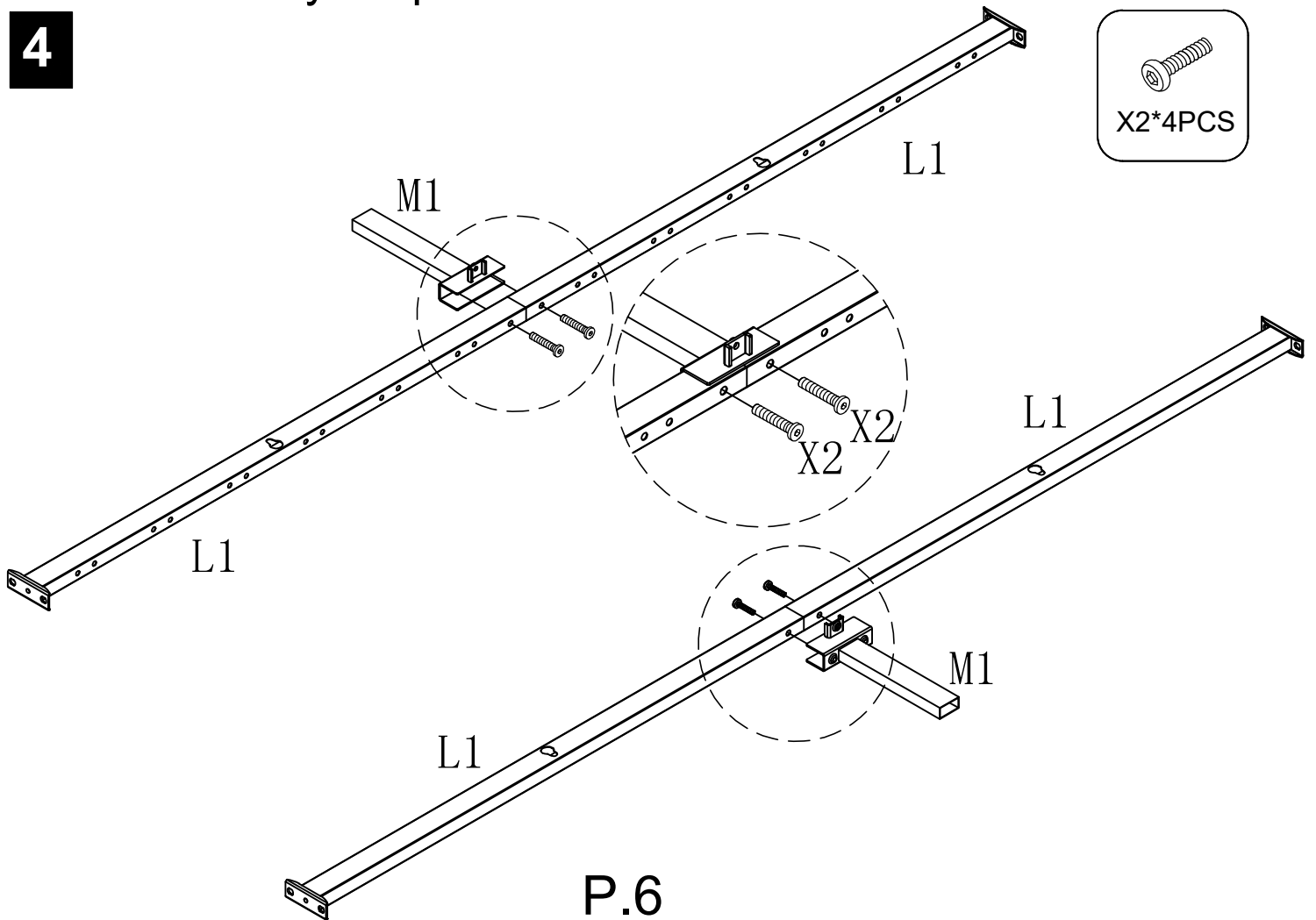


X7*4PCS

X7

Frame Assembly Steps

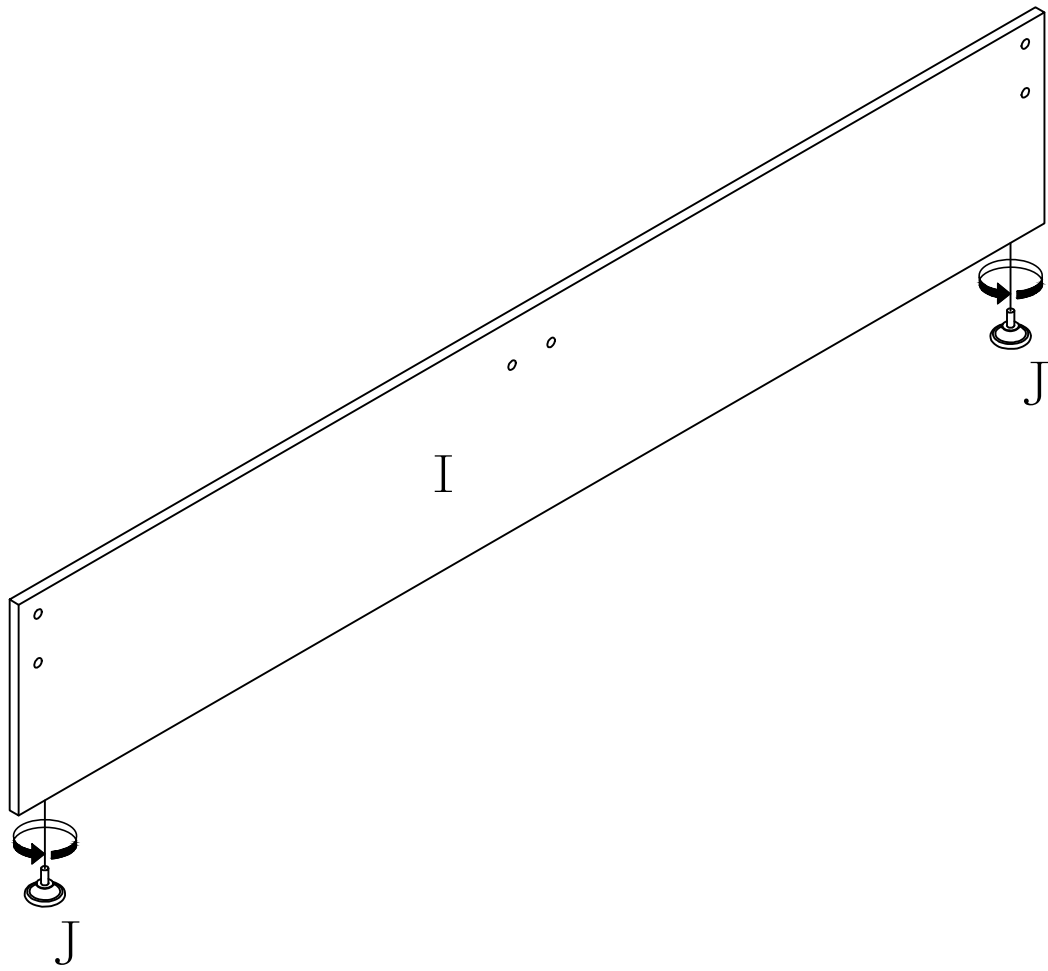
4



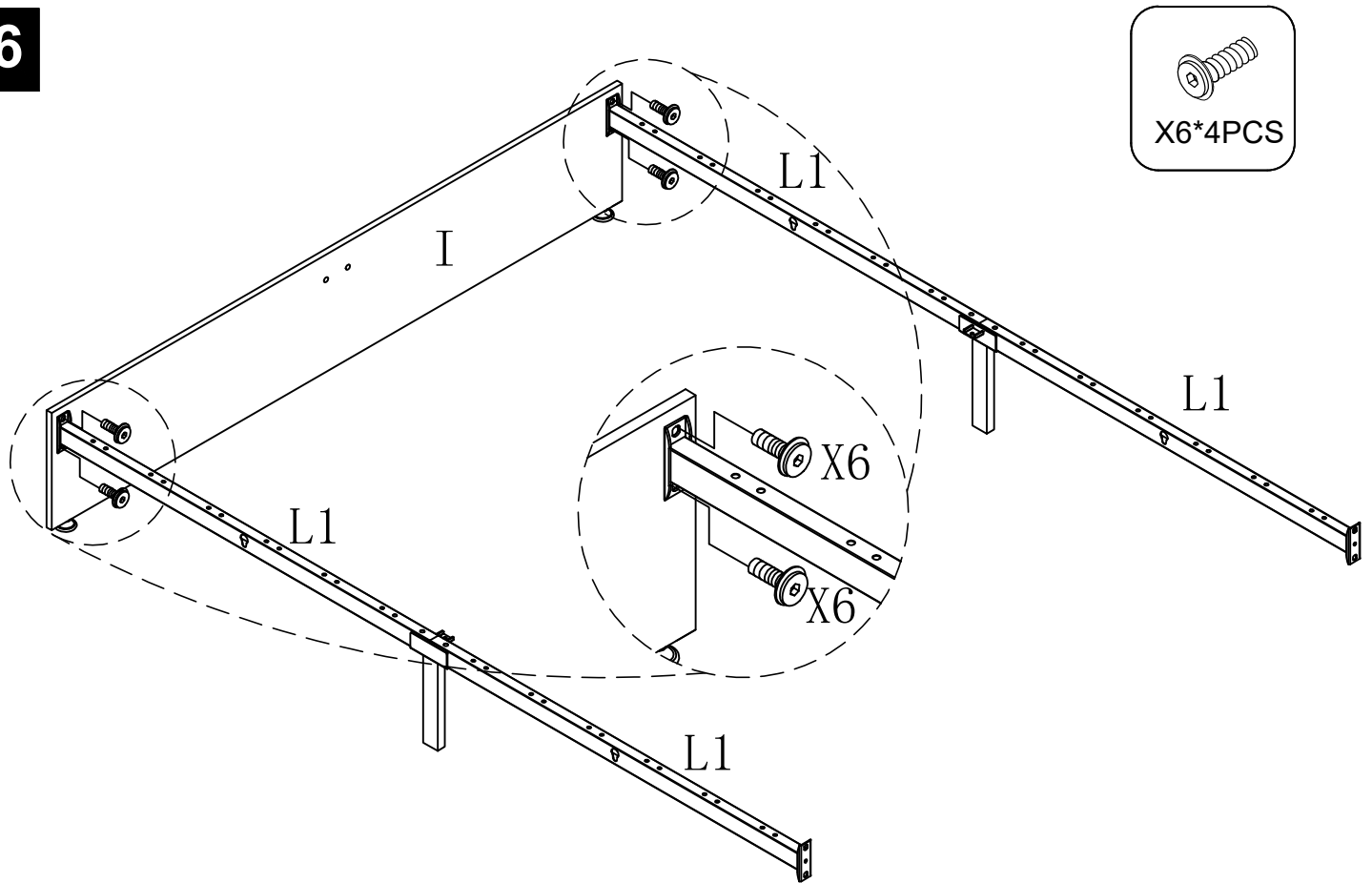
X2*4PCS

P.6

5

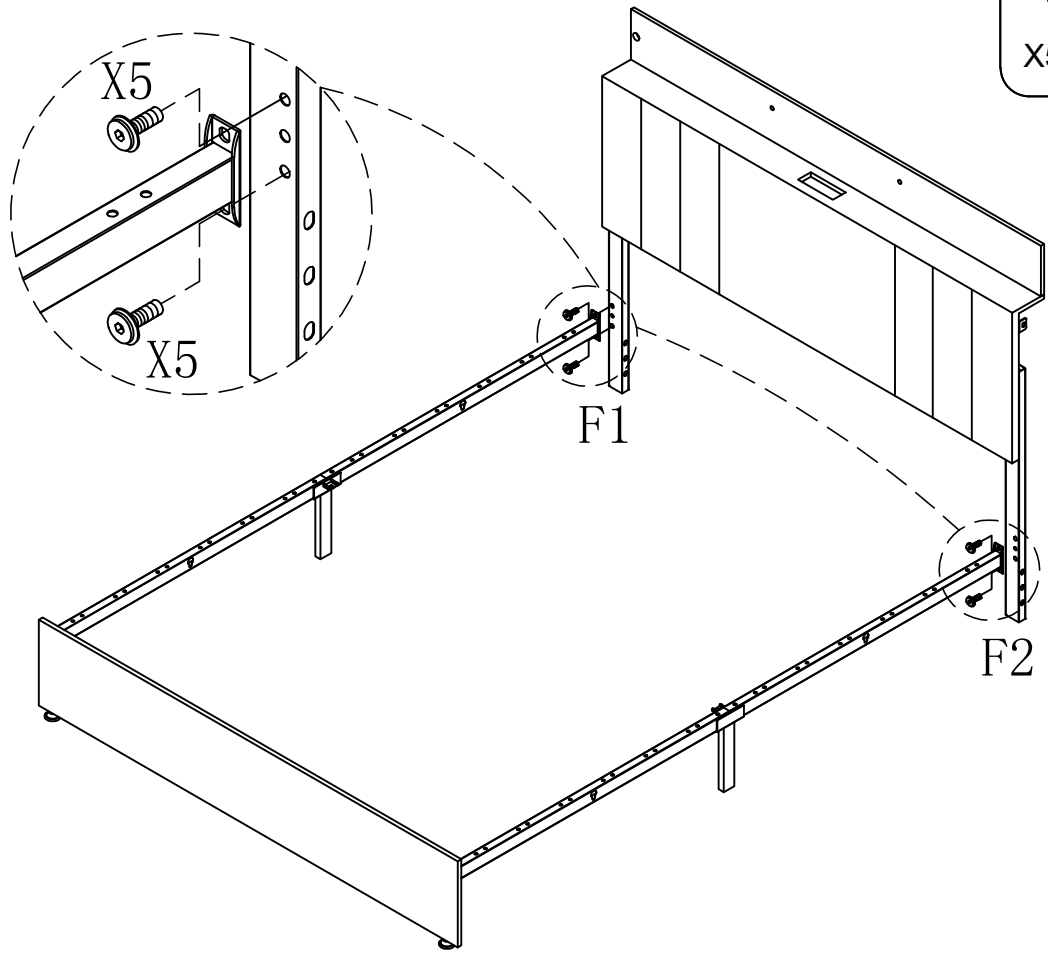


6

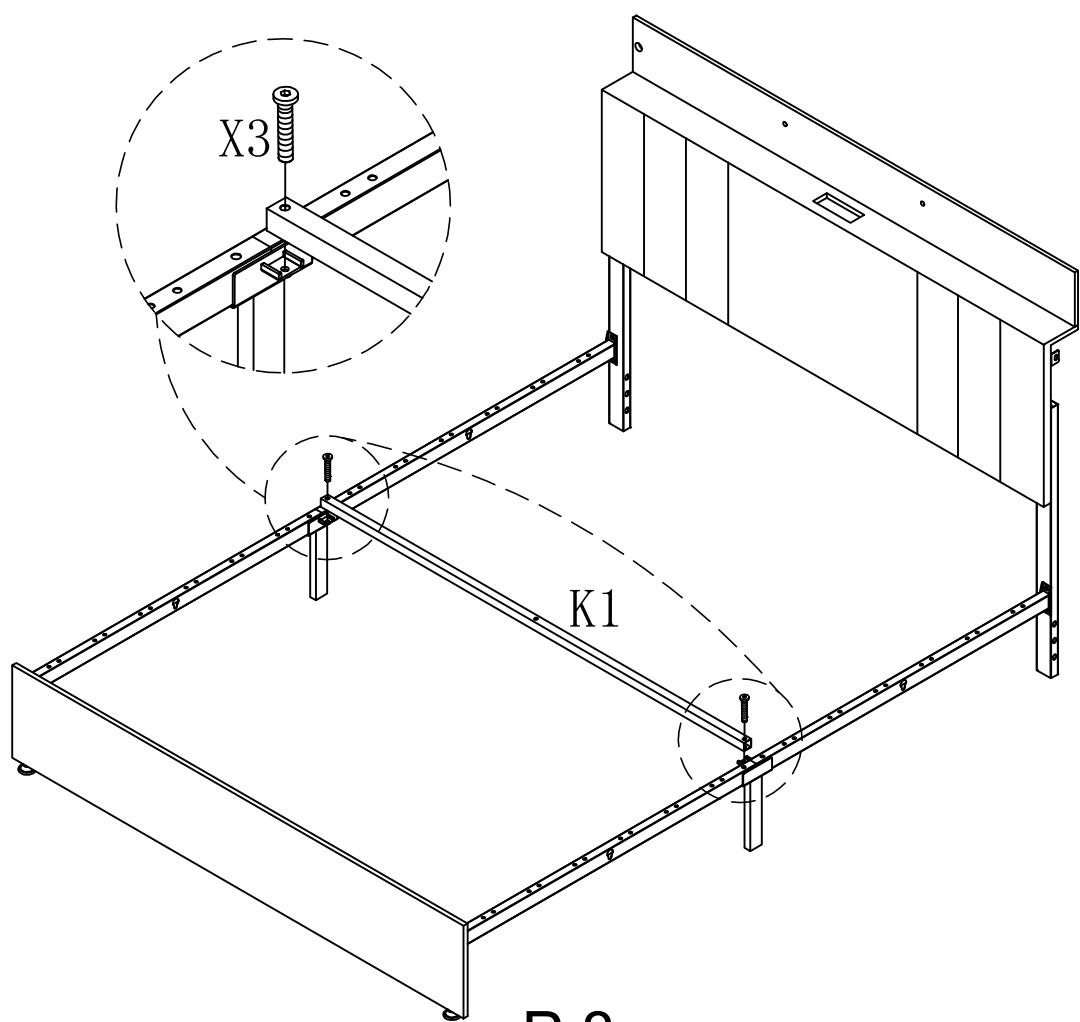


P.7

7



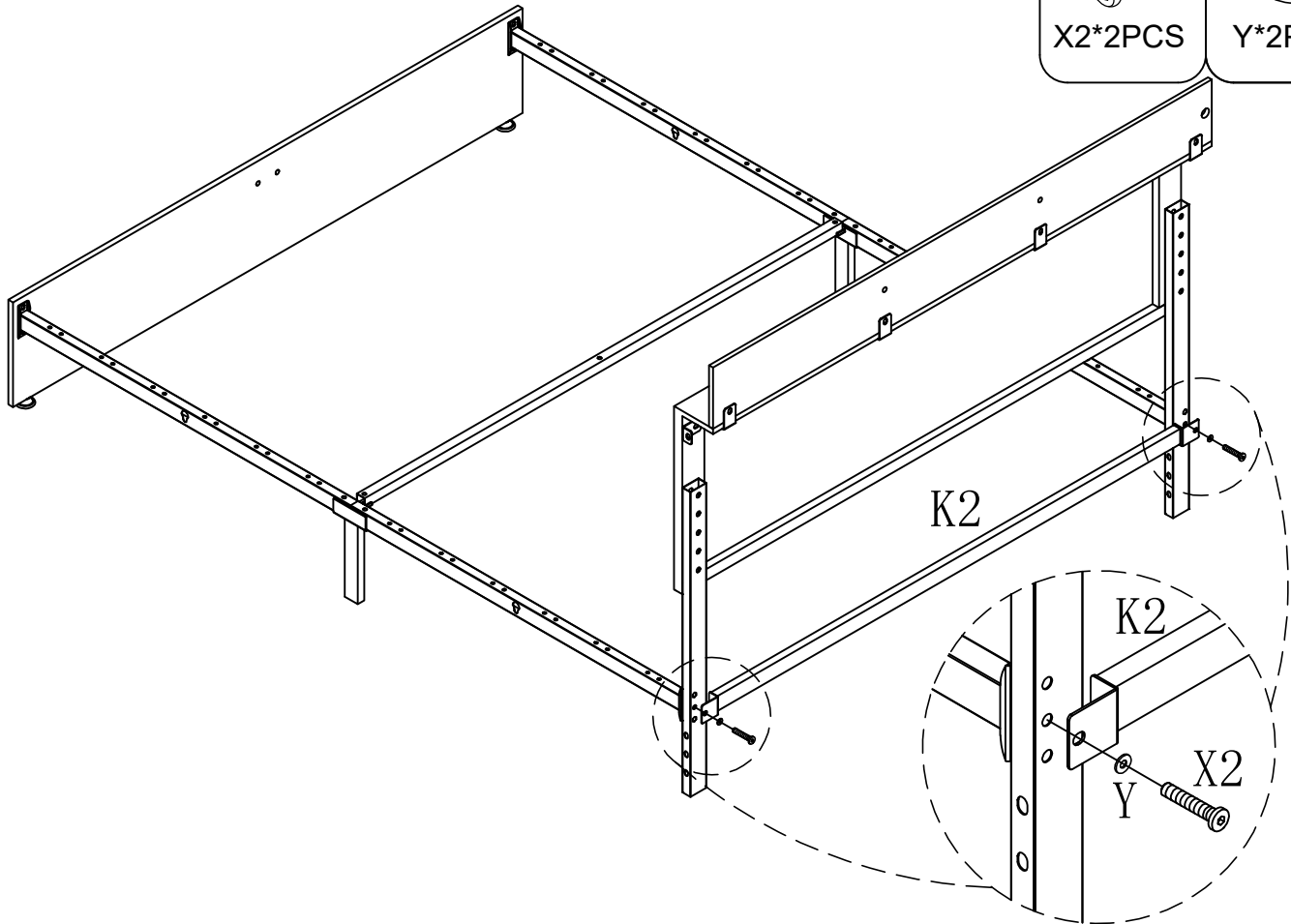
8



P.8

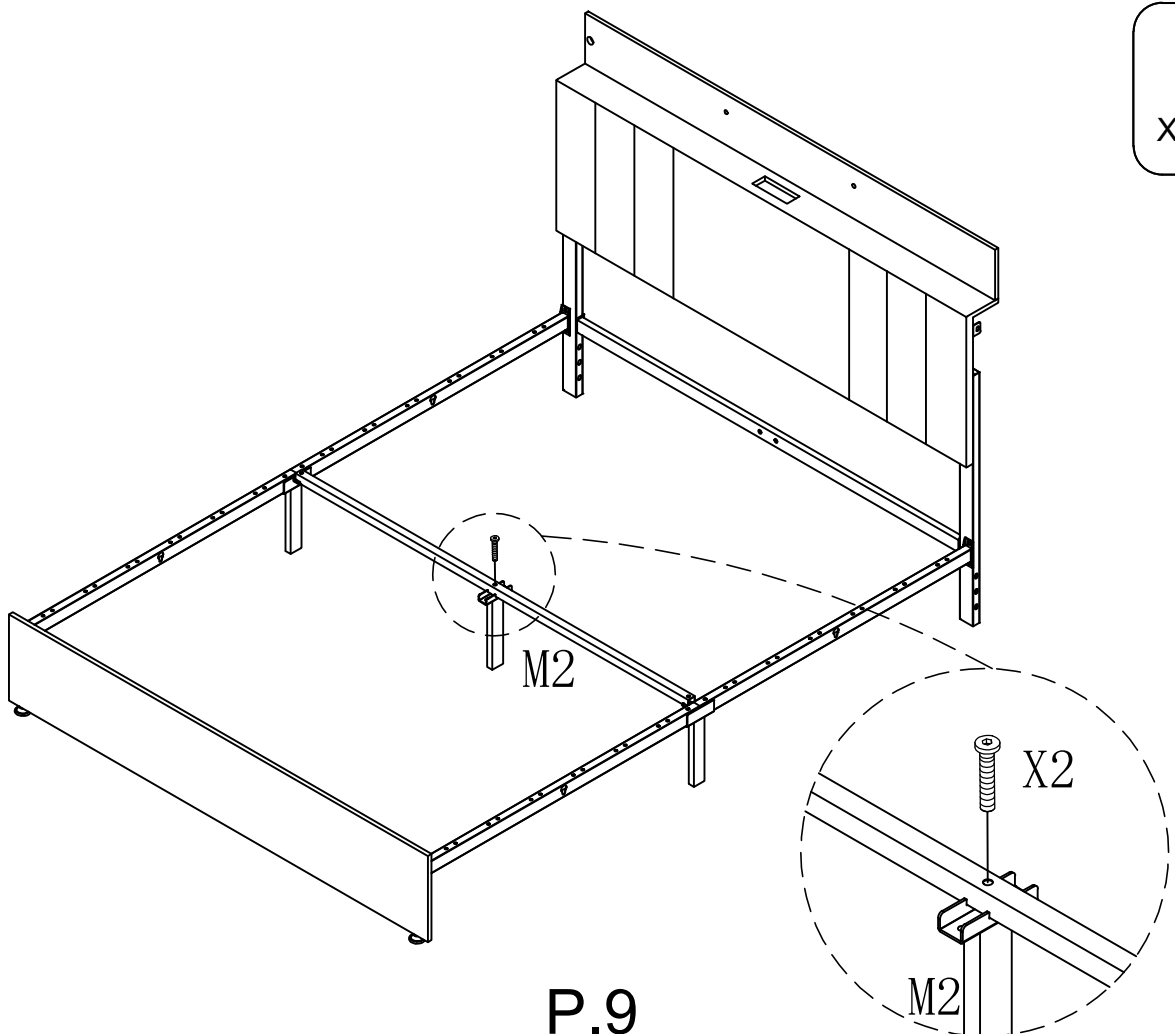
9

X2*2PCS Y*2PCS



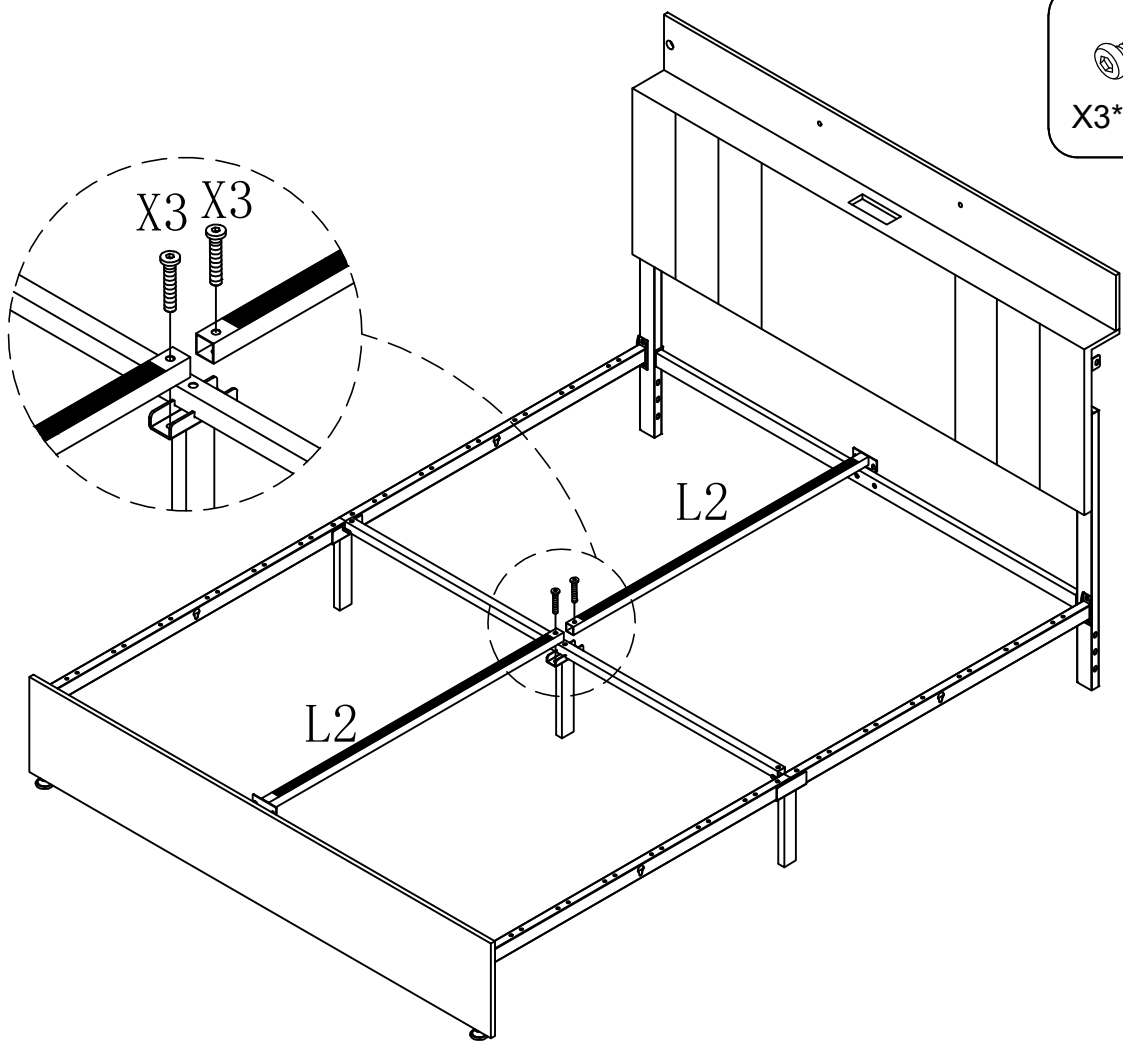
10

X2*1PC



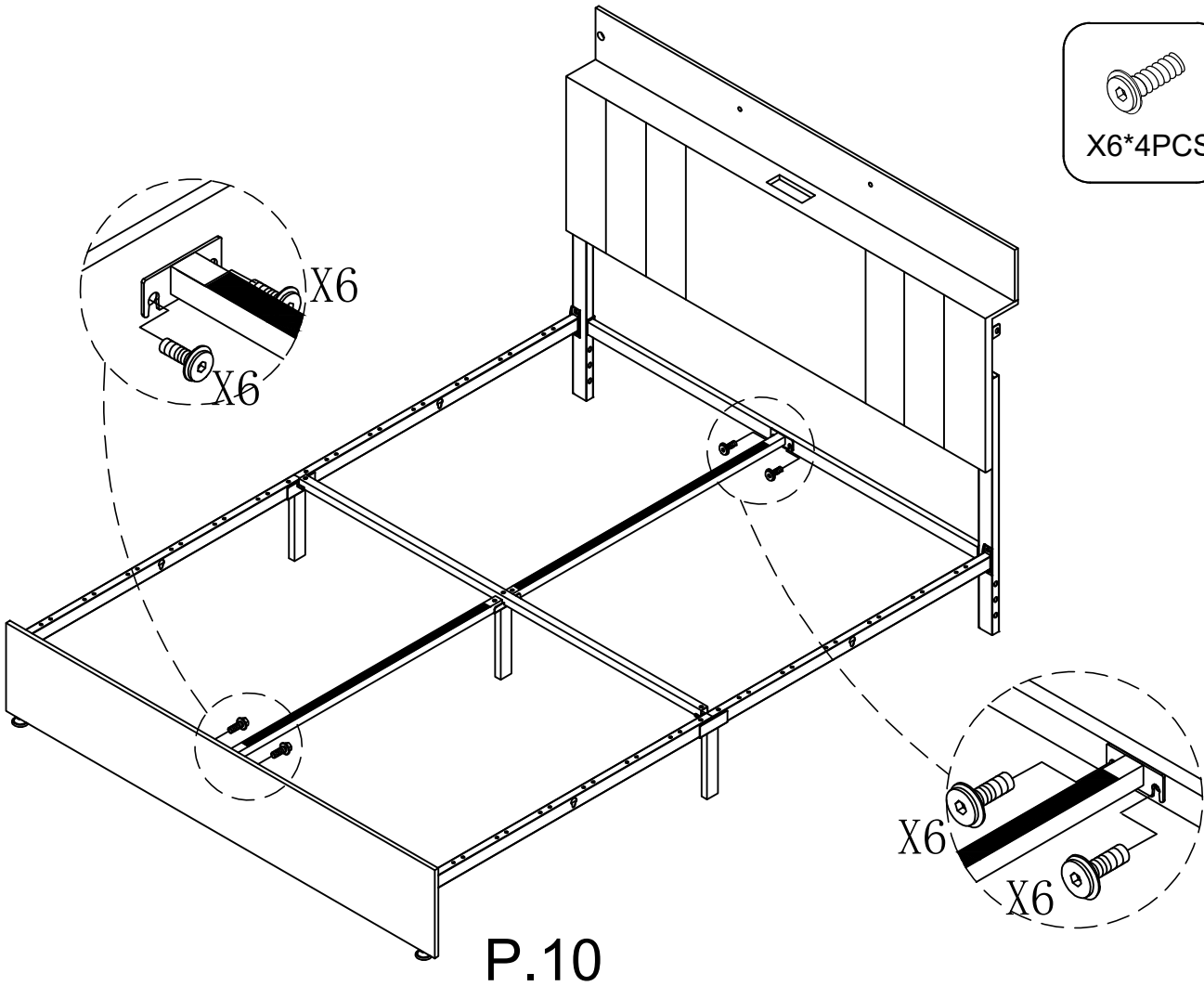
P.9

11



X3*2PCS

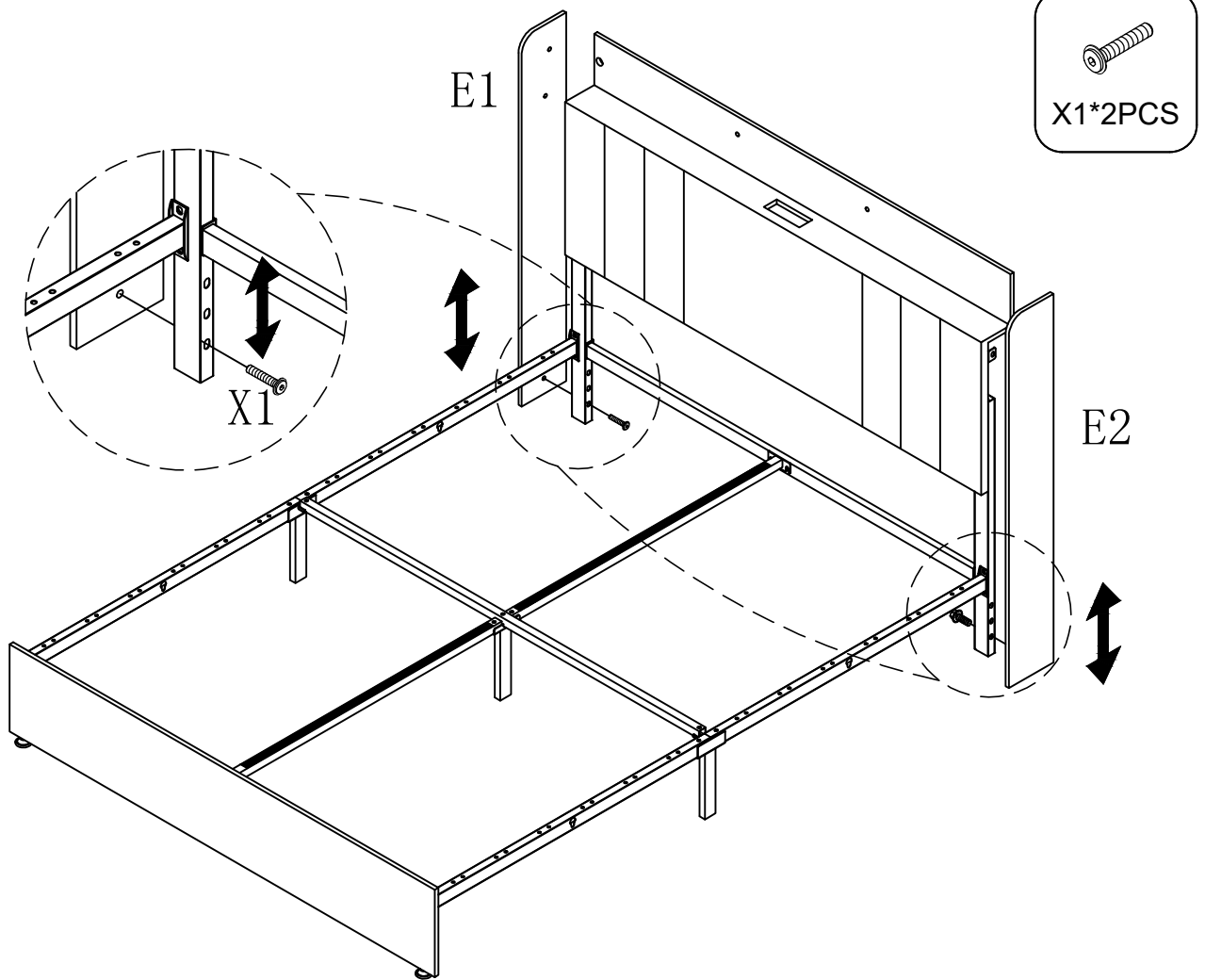
12



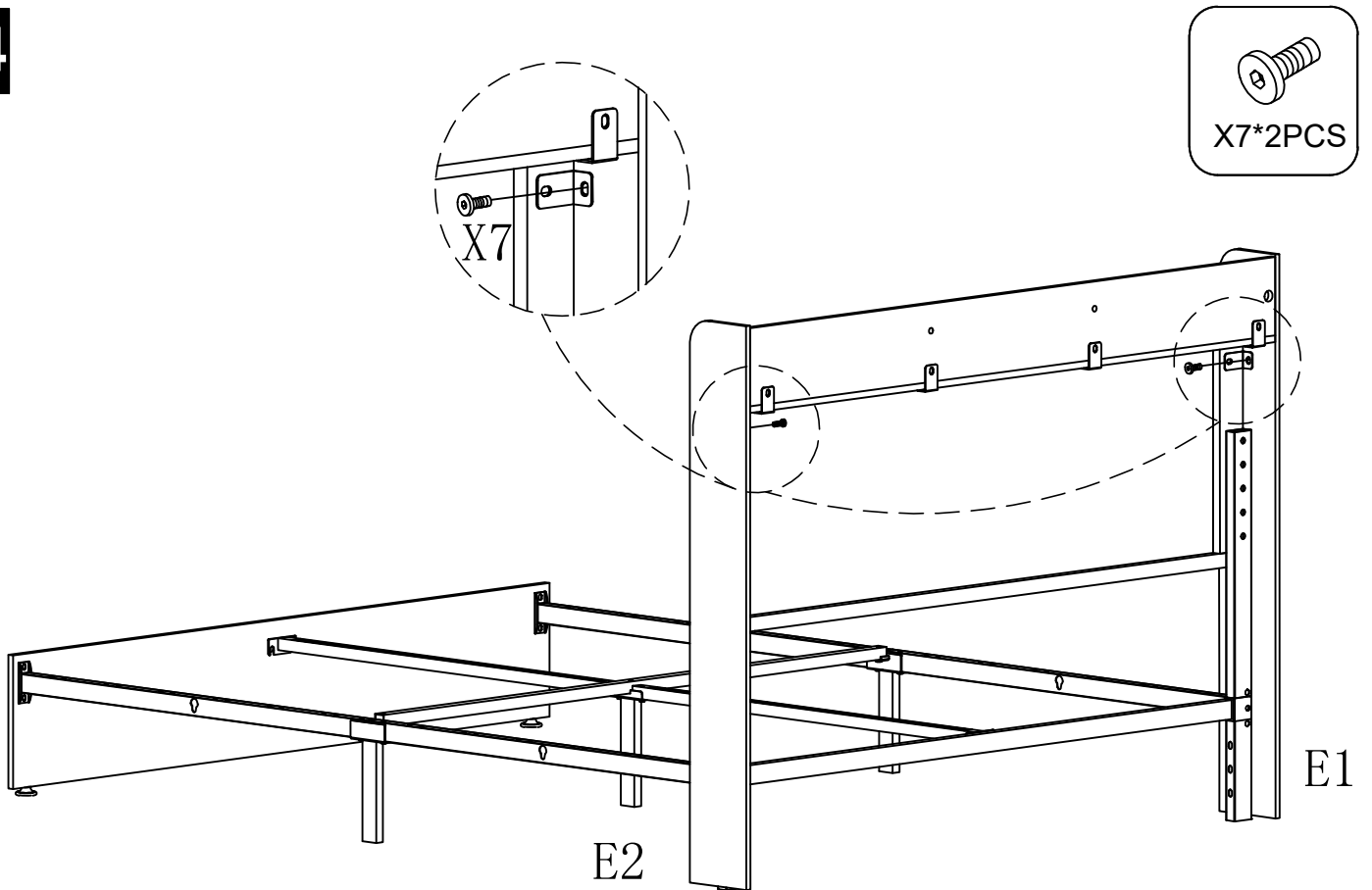
X6*4PCS

P.10

13

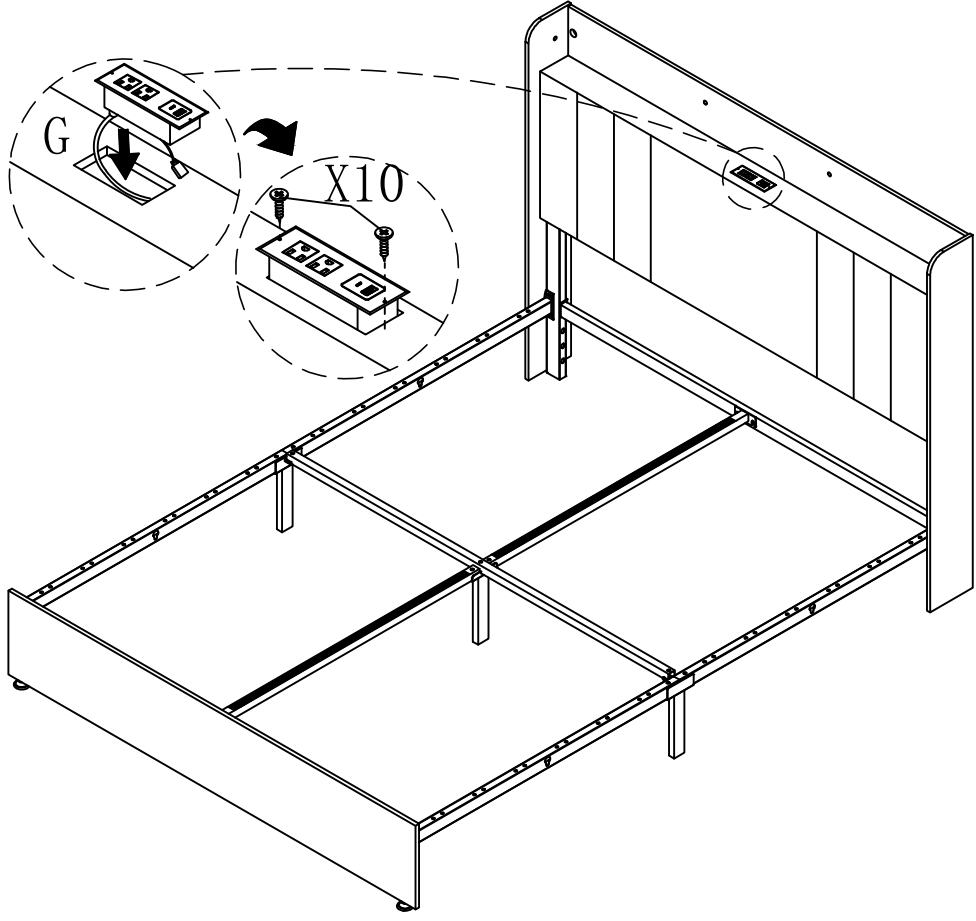
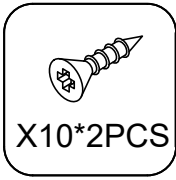


14

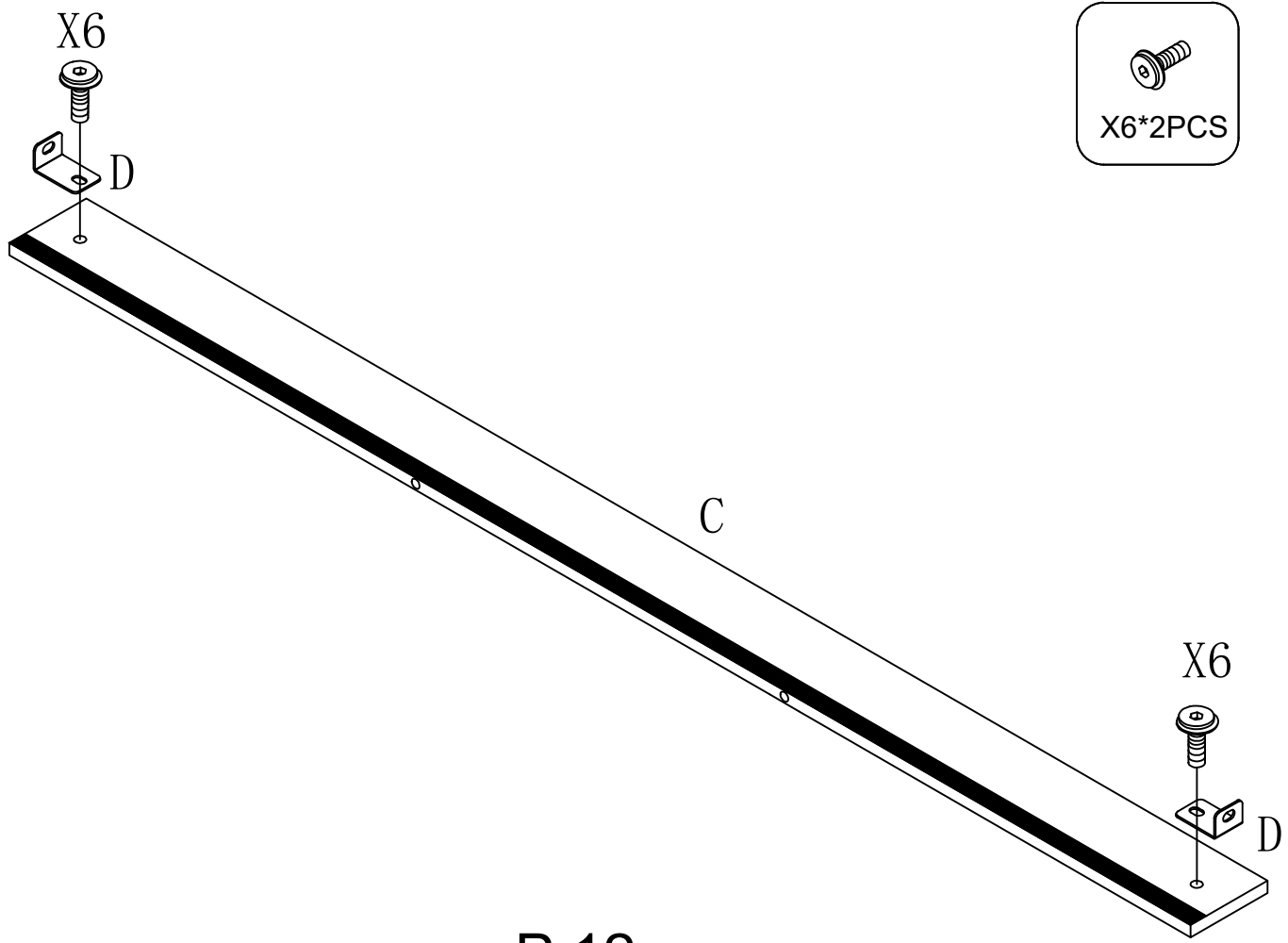


Charging Station & Light Strip Assembly Steps

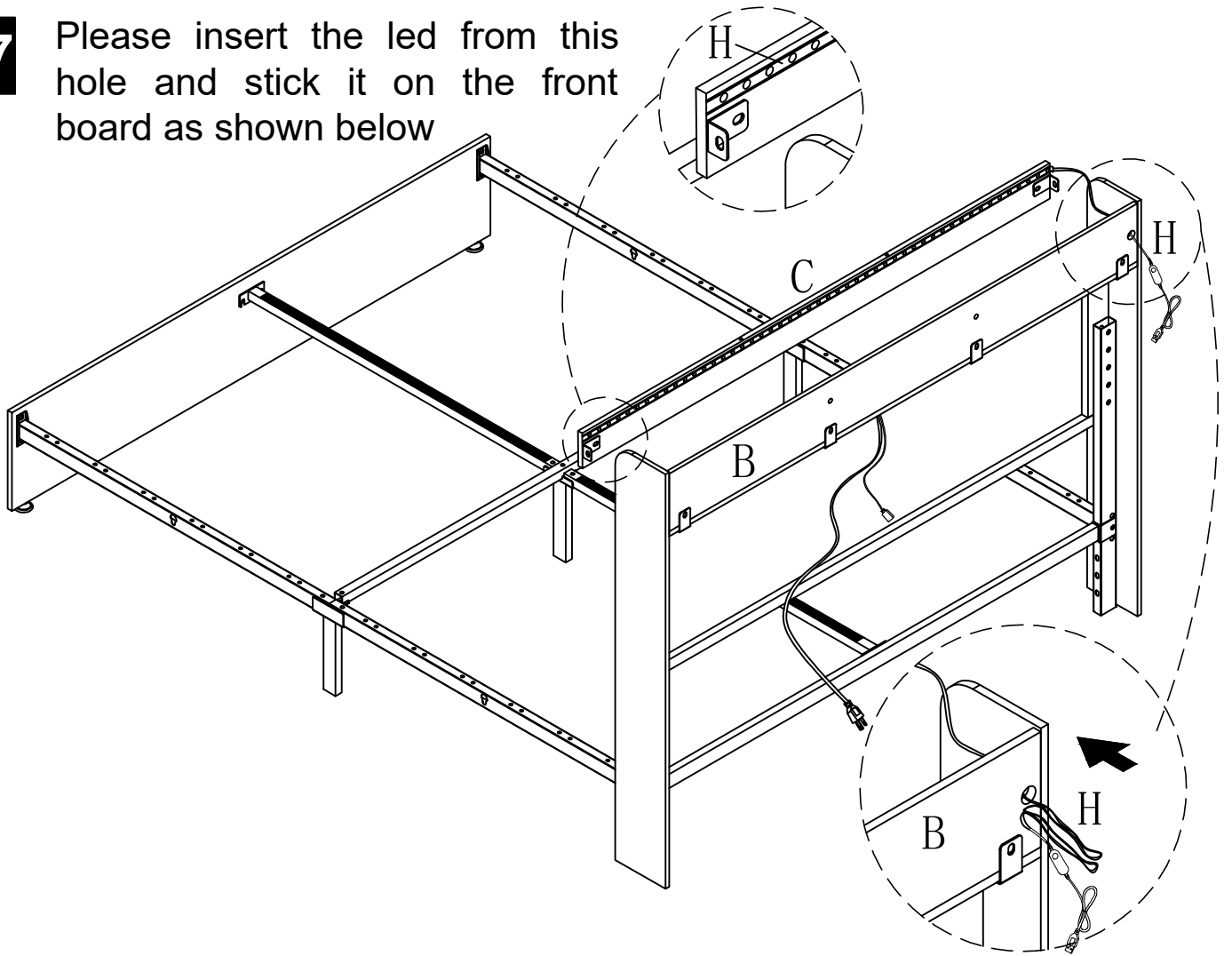
15



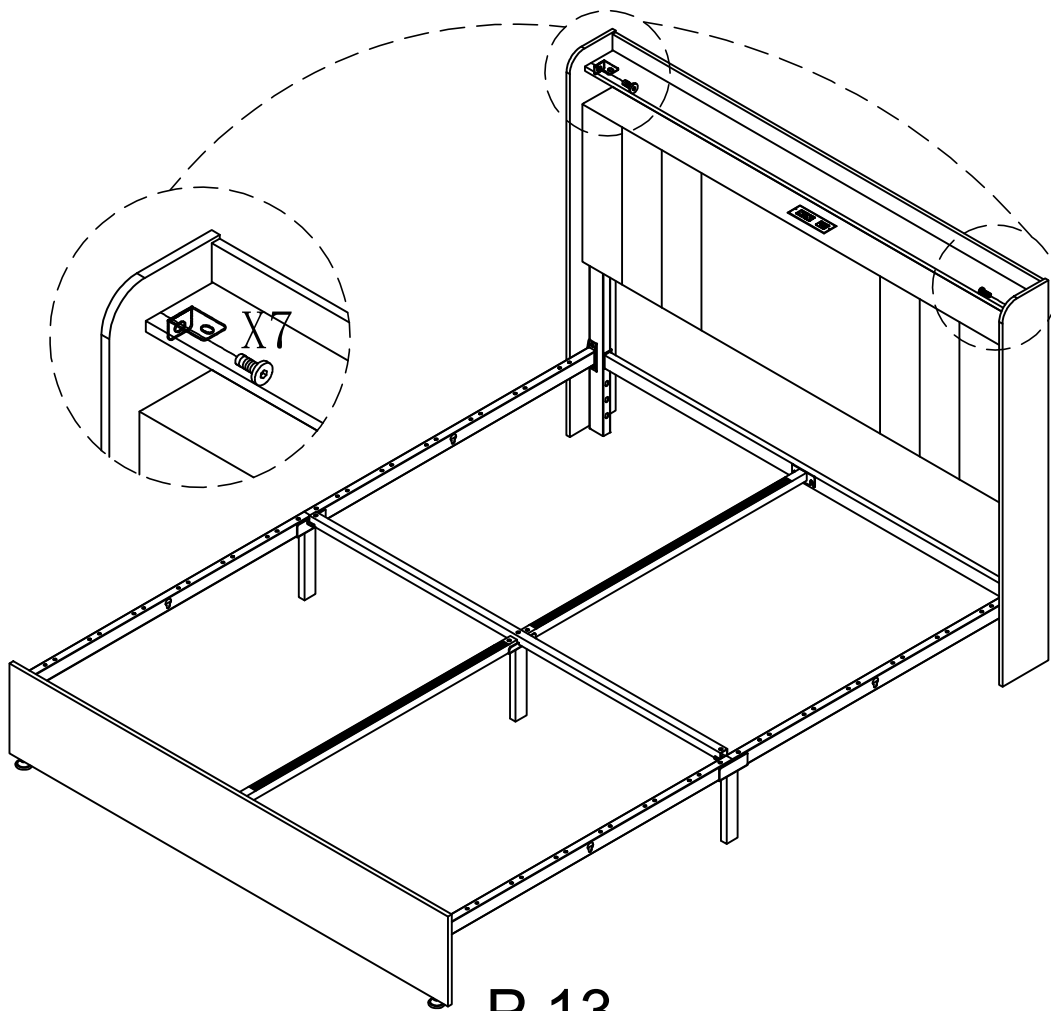
16



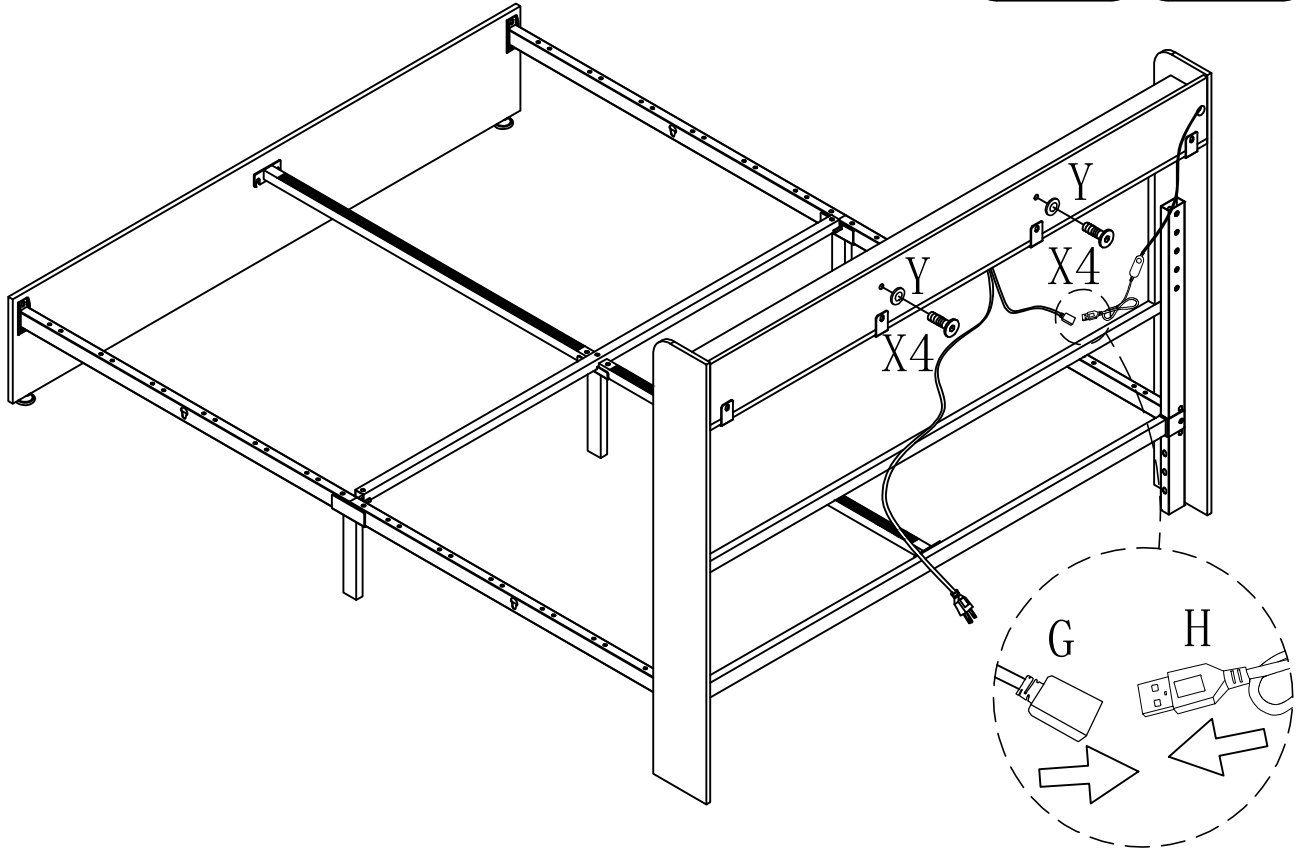
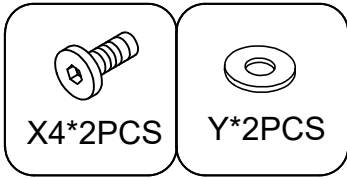
17 Please insert the led from this hole and stick it on the front board as shown below



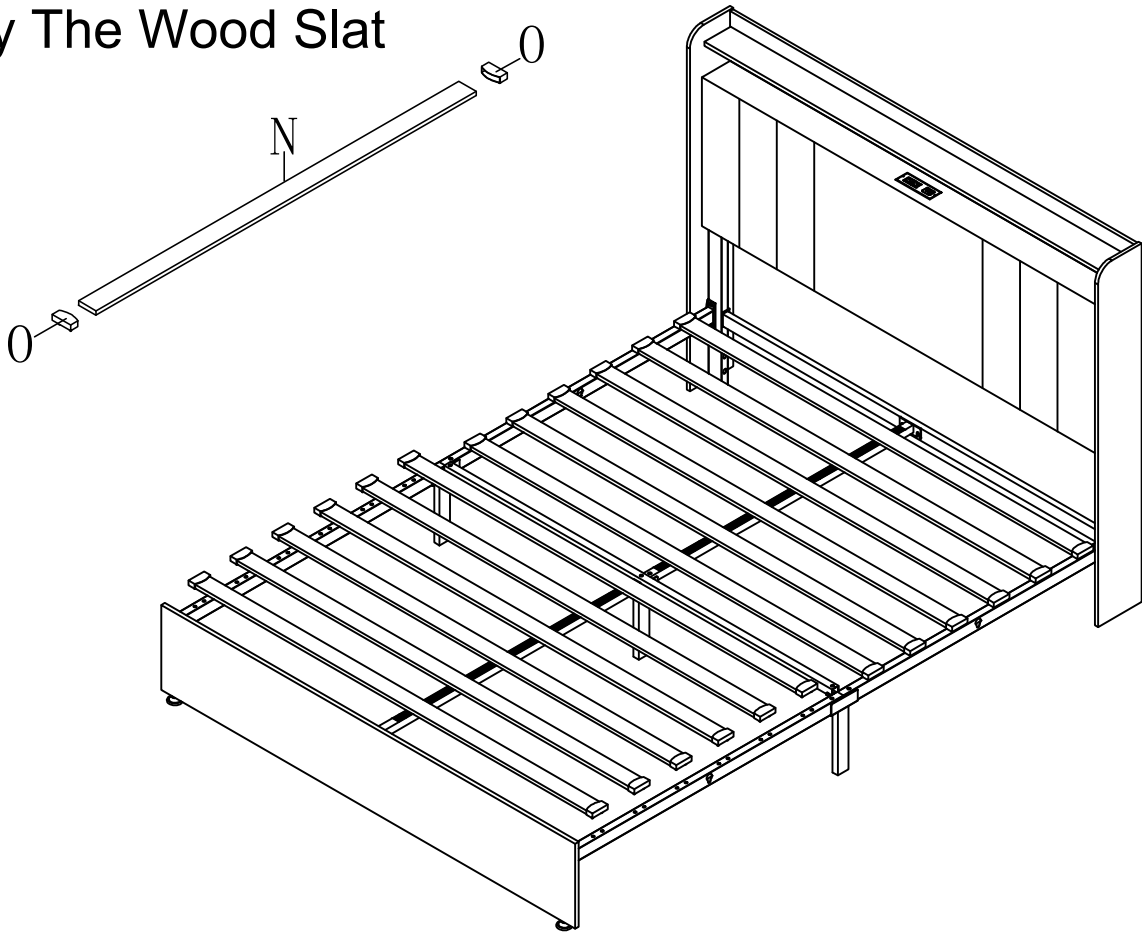
18



19

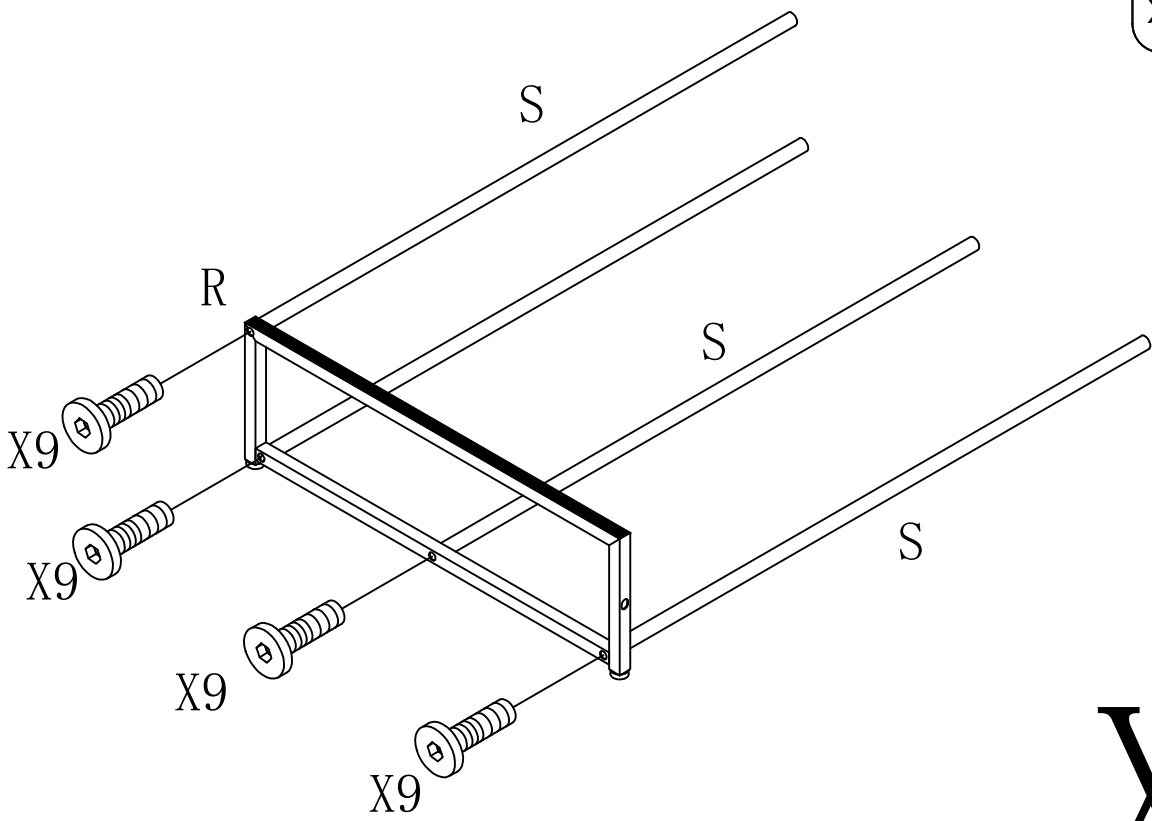
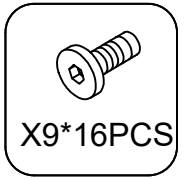


20 Lay The Wood Slat



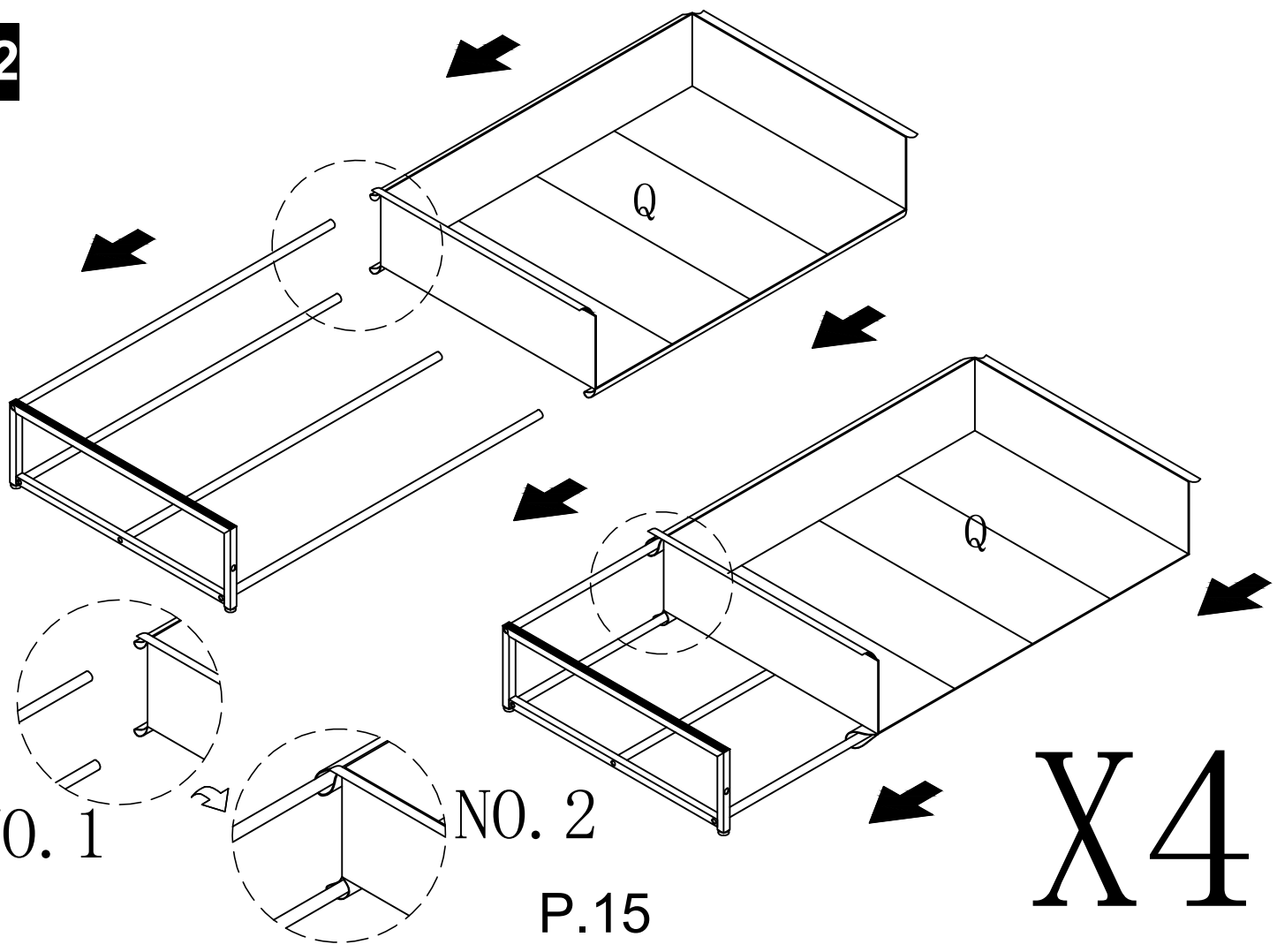
Drawer Assembly Steps

21



X4

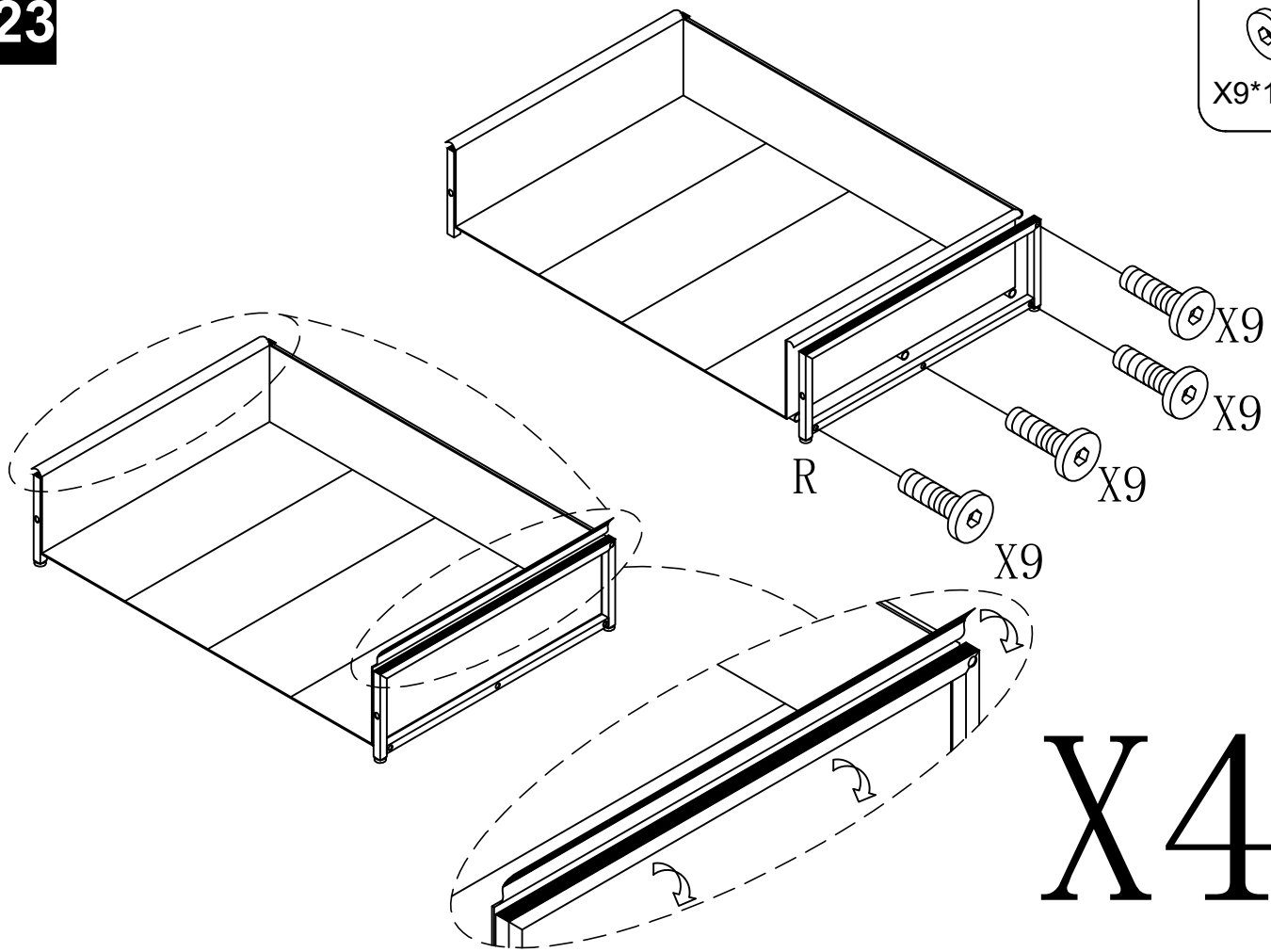
22



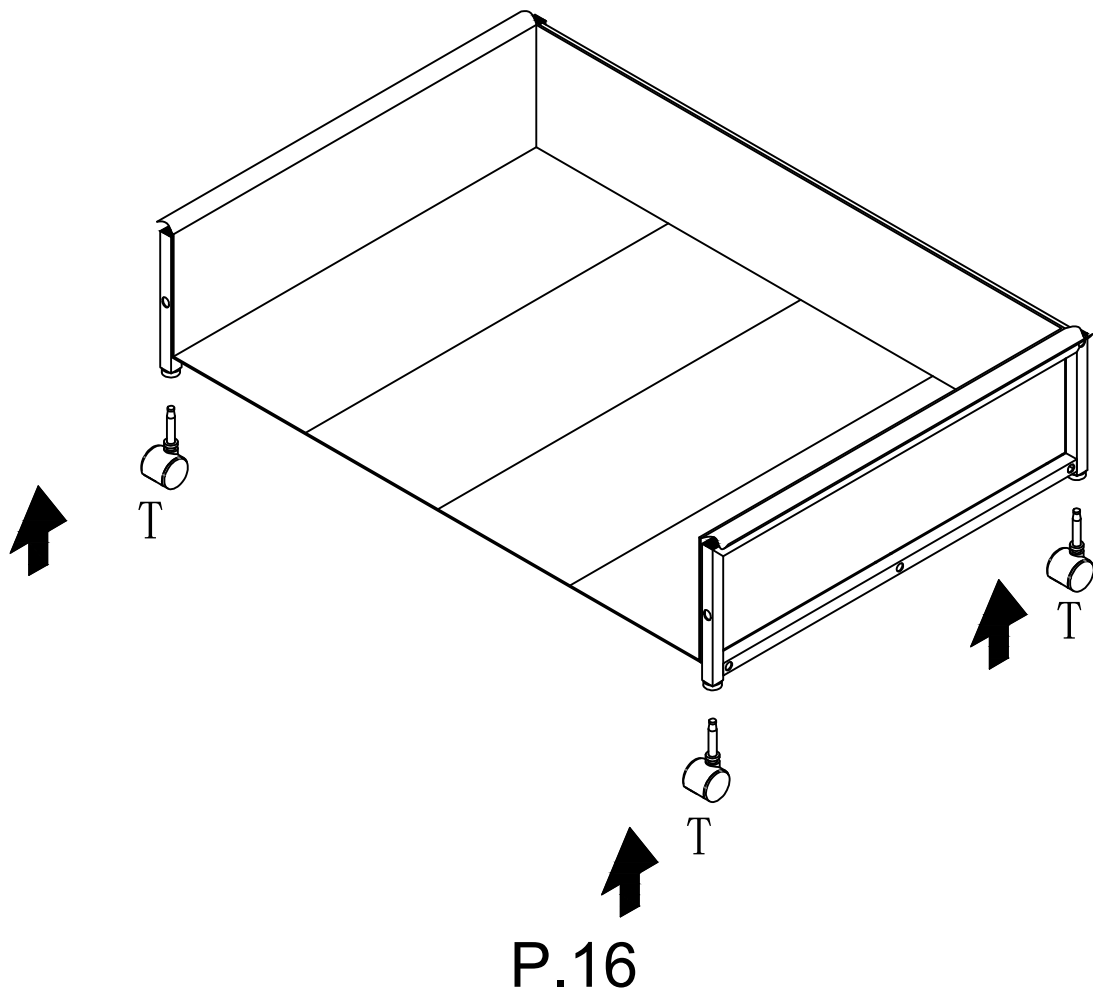
X4

23

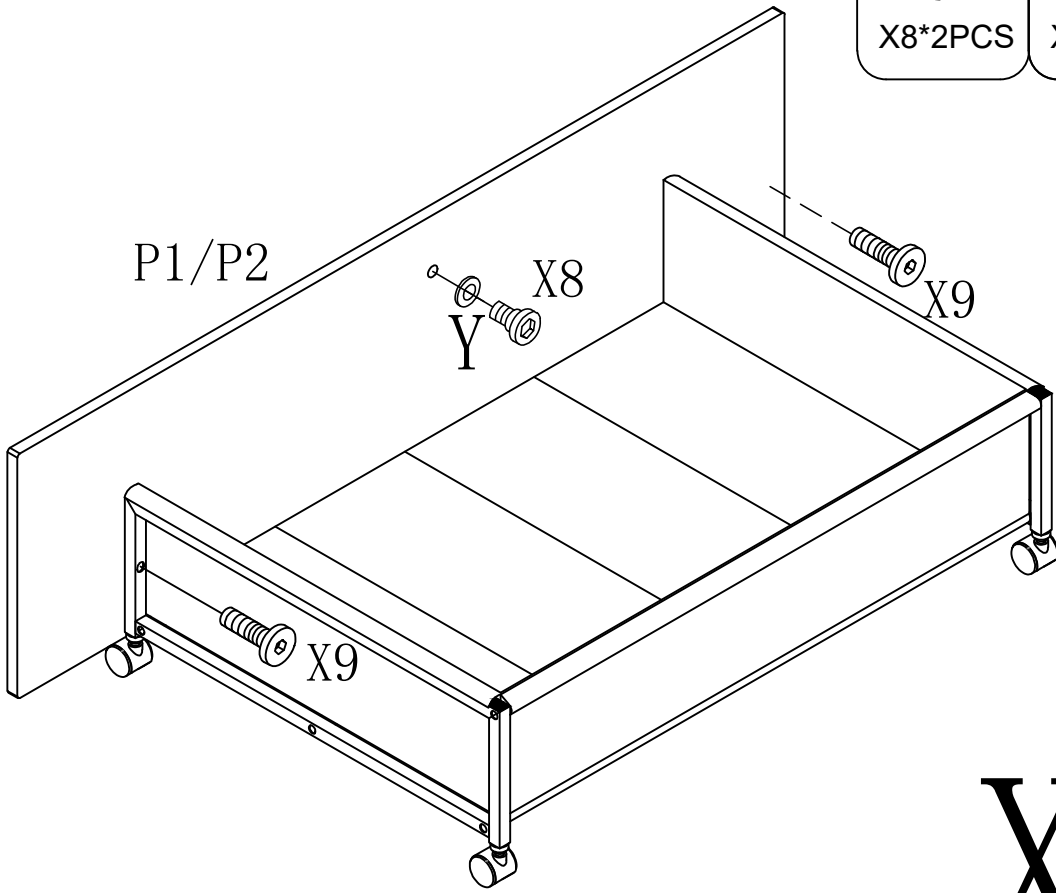
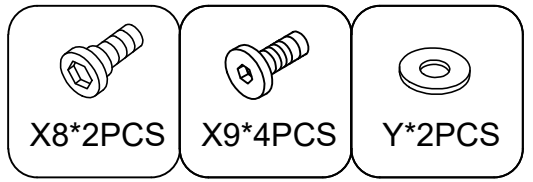
X9*16PCS



24

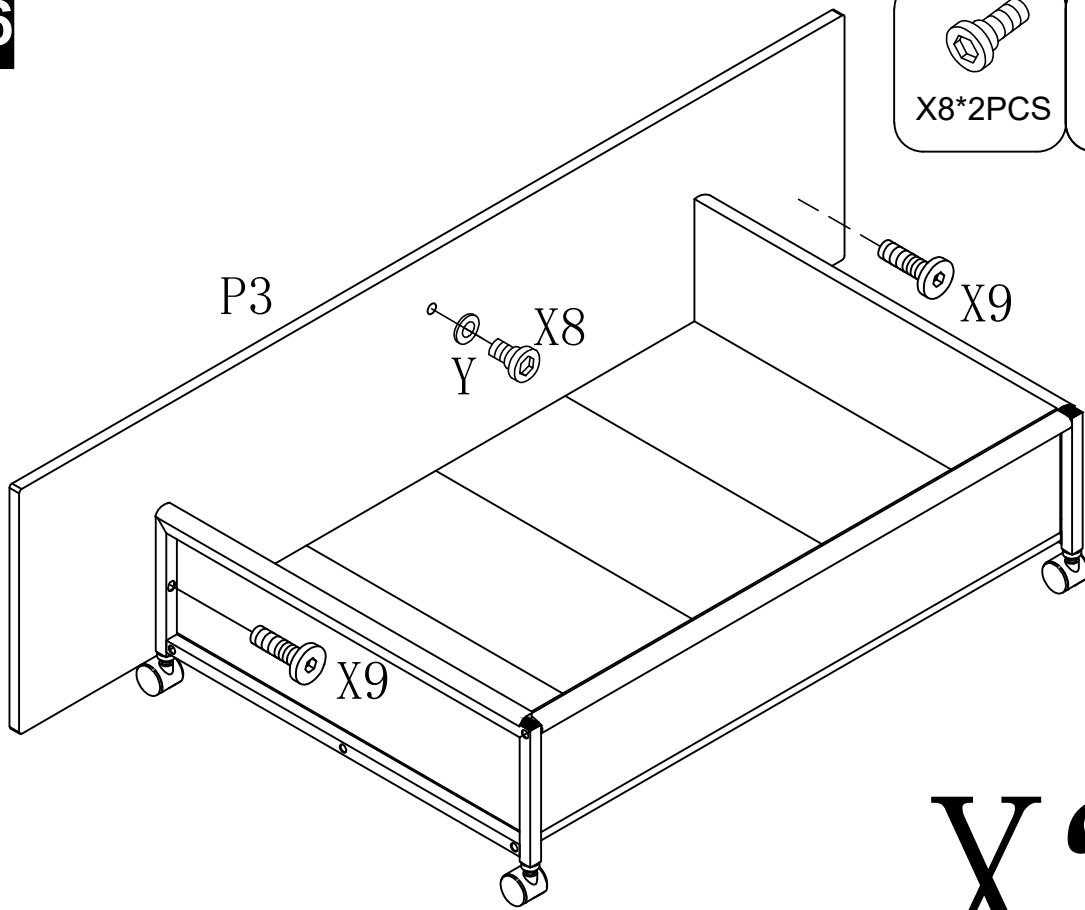
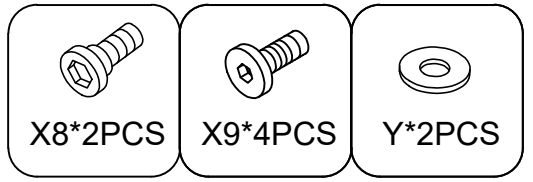


25



X2

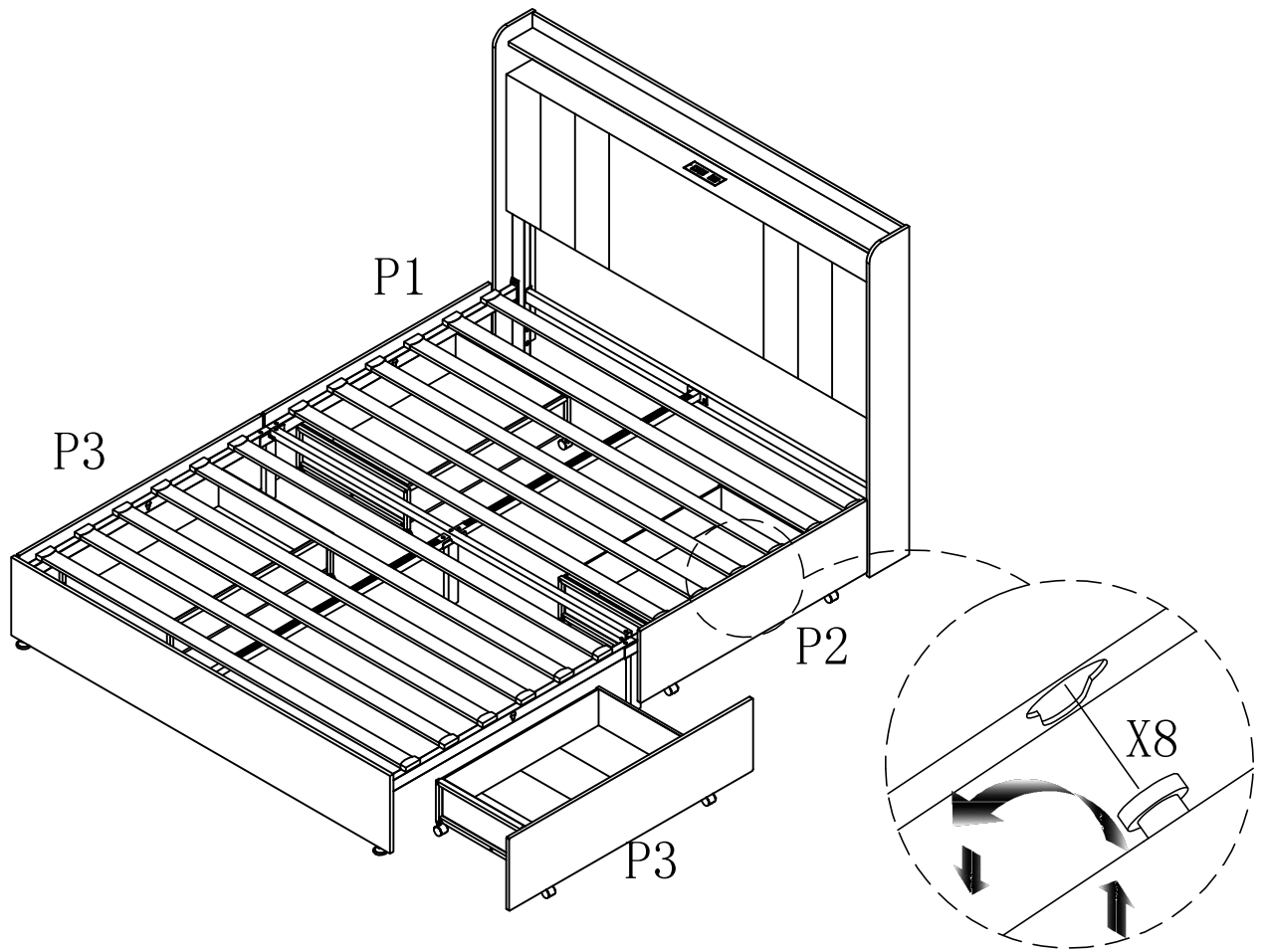
26



X2

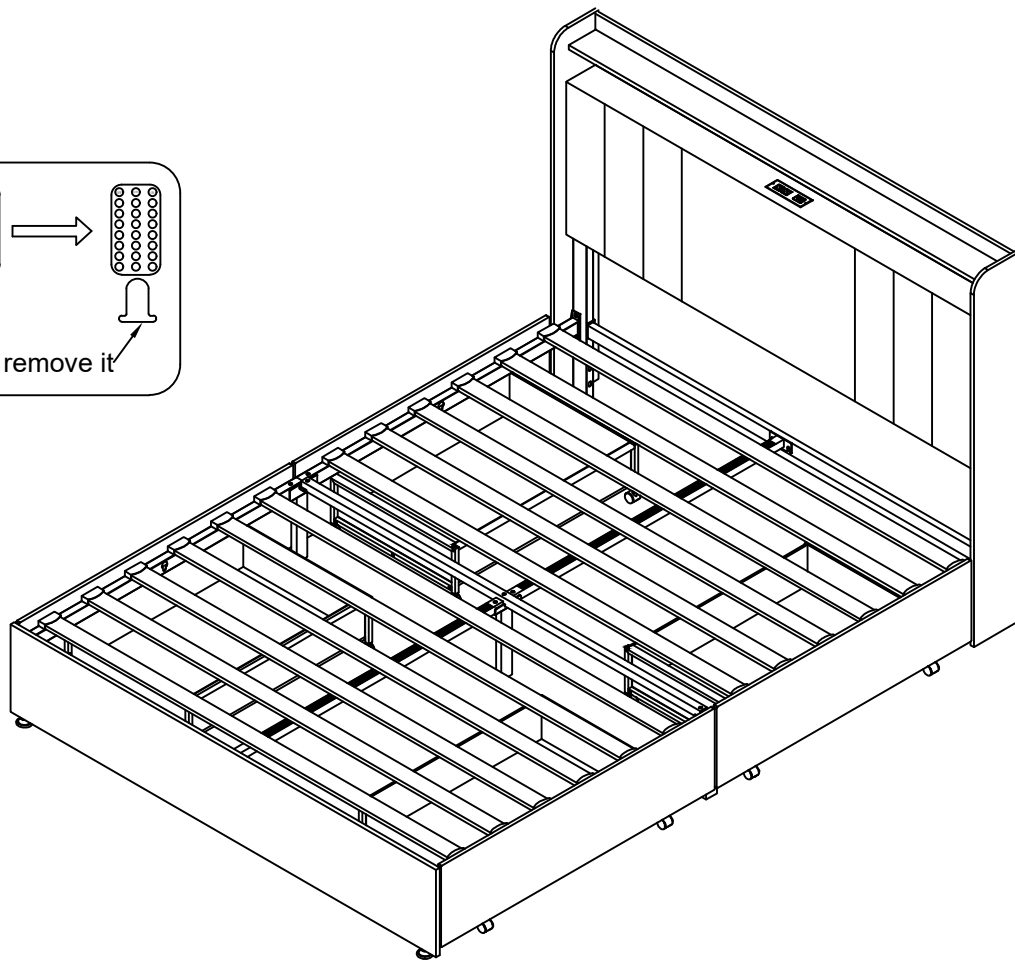
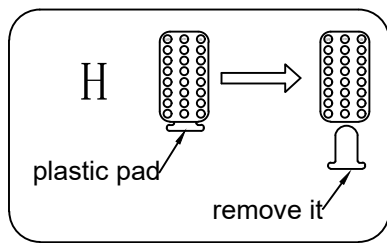
P.17

27



Lift the drawer and align the slot to lock it

28



P.18