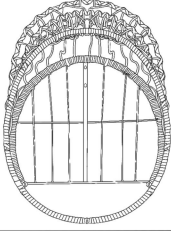

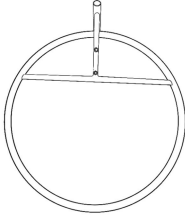



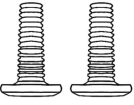


Accessories List

			
A	B	C	D
			
E	F	G	

- Note:** (1) Check whether the accessories are complete
(2) Please follow the instructions for installation
(3) We have prepared spare screws for you

