



World LM is an updated version of Niels' renowned World chair, the most minimal, yet fully functional task chair ever made. Featuring the same innovative tri-panel mesh backrest and weight-sensitive recline as its predecessor, World LM is a cost-effective solution that delivers unmatched ergonomic support and the ultimate user-friendly sitting experience.

Like all Humanscale chairs, World LM's design eliminates the need for traditional mechanisms by using the laws of physics and the sitter's body weight to offer a perfect recline. World LM features adjustable armrests that are attached to the back of the chair and move with the user, providing custom comfort throughout the workday.

Sustainability Certification

SCS Indoor Advantage™ Gold

BIFMA LEVEL® 3

DECLARE® - LBC Red List Approved

Health Product Declaration (HPD)

Warranty

12 Years, Component and Parts

5 Years, Fabric/Cushions

Features

- Weight Compensation Recline utilizes the sitter's weight to provide automatic and personalized support in any position without the need for adjusting knobs and levers
- Pivoting backrest automatically moves with the sitter, offering perfect lumbar support throughout different postures/positions
- Tri-panel back with Form Sensing Mesh™ technology provides tailor-made lumbar support that instantly adjusts to each sitter without knobs, levers, or button
- Comes in classic all-mesh design or with optional contoured foam seat. Foam seat is sculpted to reduce pressure points and provide exceptional weight distribution, supporting long-term comfort and improved circulation
- Fits 95% of the population: Height: 5'0" - 6'4" (152 cm - 193 cm); Weight: 100 lbs - 400 lbs (45.4 kg - 181.4 kg)
- Stool Height option available
- Caster Options: Hard, Soft

Material and Color Options

Frame



Black



Gray

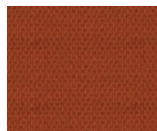
Mesh



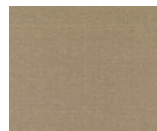
Catena
5 Colors

Upholstered Seat Textile Options

Fabric



Corde 4
13 Colors



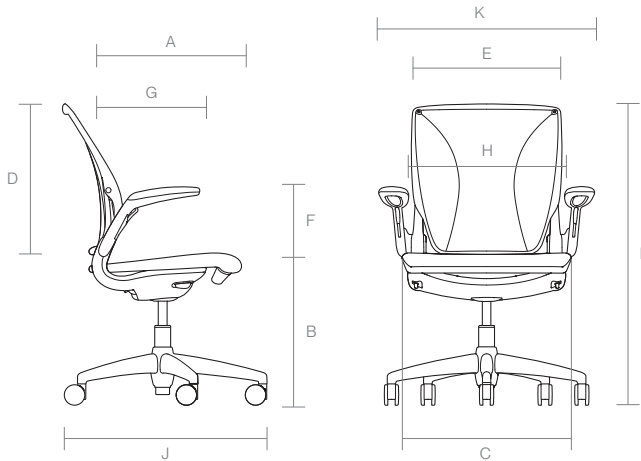
Autumn
14 Colors

Seating

Product Specifications

	Imperial	Metric
A Seat Depth	16.4 in Mesh 17.9 in Upholstered	416 mm Mesh 454 mm Upholstered
B Seat Height	15.6 in - 20.7 in, Standard Cylinder - Mesh 16 in - 21 in, Standard Cylinder - Upholstered 18.1 in - 25.6 in - 8" High Cylinder w/ 20" Foot Ring	397 mm - 527 mm, Standard Cylinder - Mesh 425 mm - 545, Standard Cylinder - Upholstered 460 mm - 651 mm - 203 mm High Cylinder w/ 508 mm Foot Ring
C Seat Width	20.2 in Mesh 20.8 in Upholstered	513 mm Mesh 528 mm Upholstered
D Backrest Height	22.5 in	572 mm
E Backrest Width	19 in	483 mm
F Armrest Height	9.5 in Fixed 7.2 in - 10.75 in Adjustable	241.3 mm Fixed 183 mm - 273 mm Adjustable
G Armrest Length	8.4 in	213 mm
H Distance Between Armrests	18.75 in	476.25 mm
I Height	35.6 in - 40.75 in - Standard Cylinder 38.1 in - 45.6 in - 8" High Cylinder w/ 20" Foot Ring 35 in - 39.75 in - 5" Return-to-Height Cylinder	905 mm - 1,035 mm - Standard Cylinder 968 mm - 1,159 mm - 203 mm High Cylinder w/ 508 mm Foot Ring 889 mm - 1,010 mm - 127 mm Return-to-Height Cylinder
J Base Diameter	25in with Arms 21 in without Arms	635 mm with Arms 533 mm without Arms
K Chair Width	25.75 in	654 mm
Chair Weight	26 lbs Armless 27 lbs Arms	11.8 kg Armless 12.2 kg Arms
Recline Range	17° Recline + 8° Backrest Tilt	

Mesh



Upholstered

