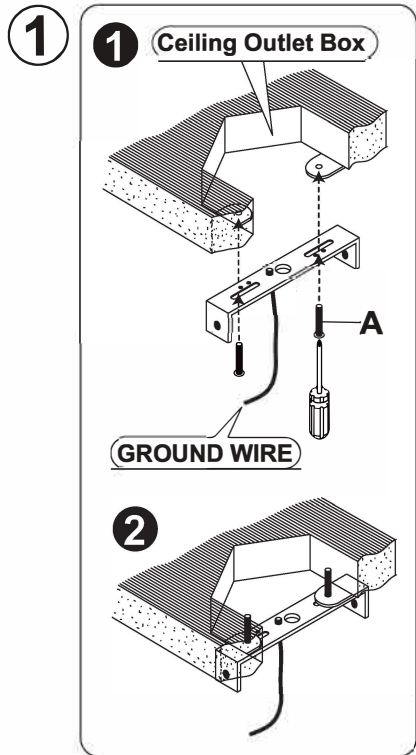


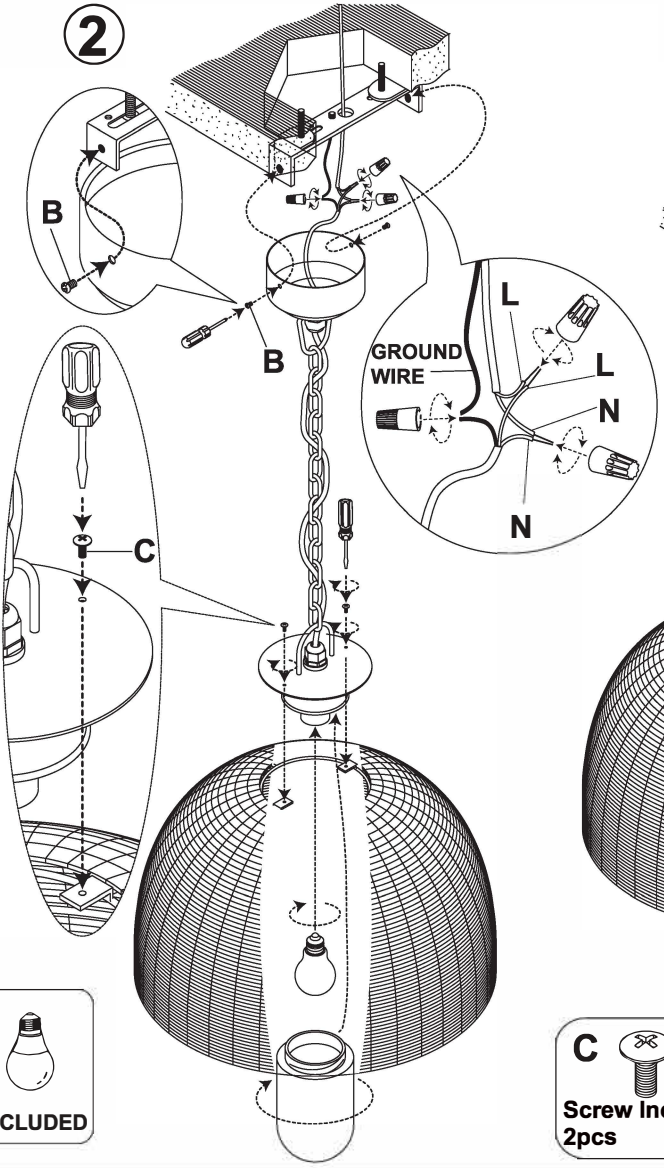
ASSEMBLY INSTRUCTION

ALL WEATHER WICKER DOME PENDANT LAMP



- Hardware List**
- | | |
|--------------|--------------|
| A | B |
| | |
| Screw 2 pcs. | Screw 2 pcs. |

- Tools List**
- | | |
|--------------|-------------------|
| | |
| NOT INCLUDED | BULB NOT INCLUDED |



- C**
-
- Screw Included
2pcs

SIZE : 55Ø X 34 CM H.
 MAX. 60W, E26 (INCANDESCENT)
 MAX. 13W, E26 (FLUORESCENT)
 MAX. 10W, E26 (LED)

