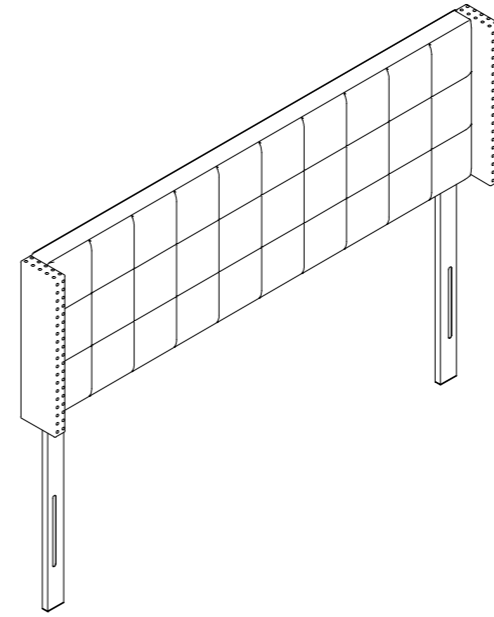
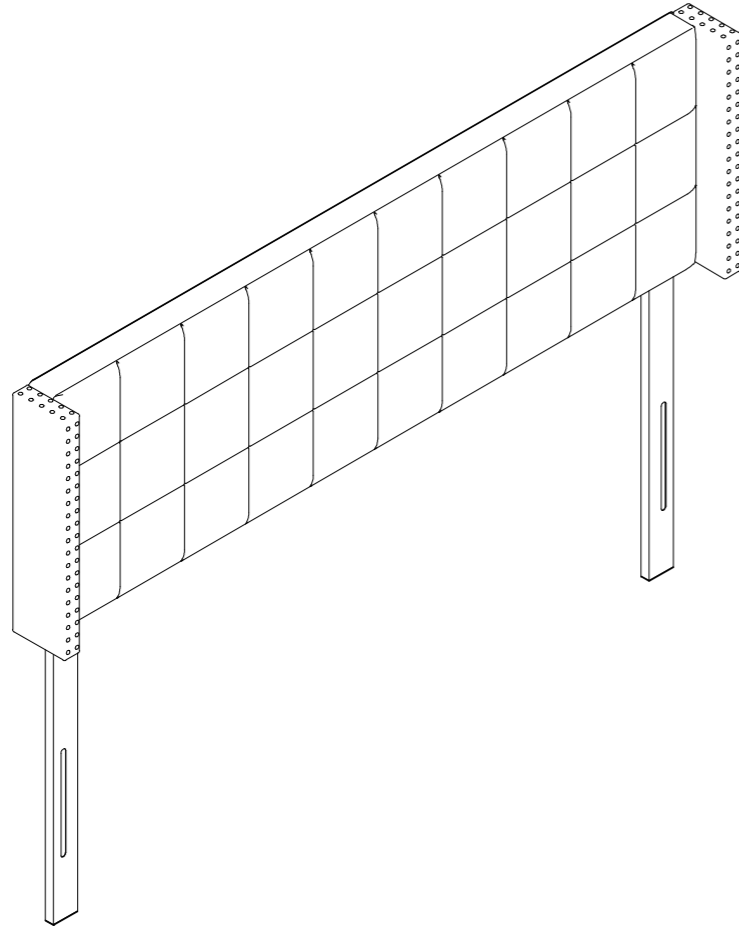
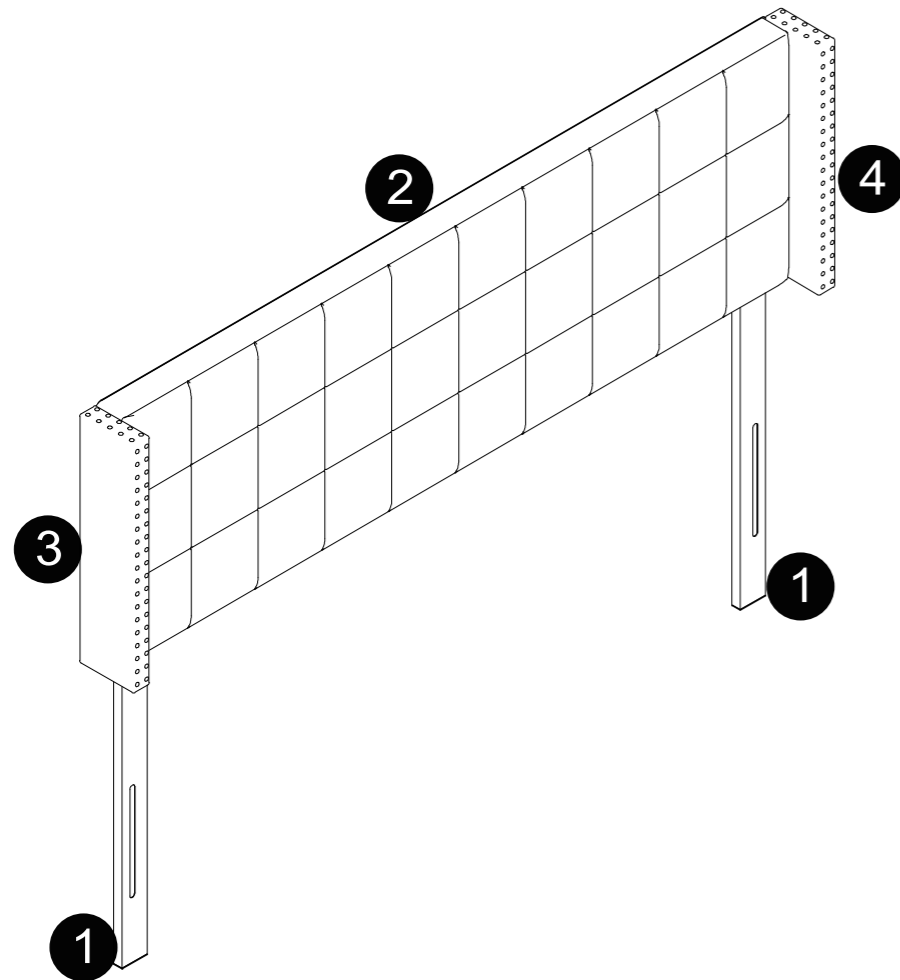


Item Description: Headboard

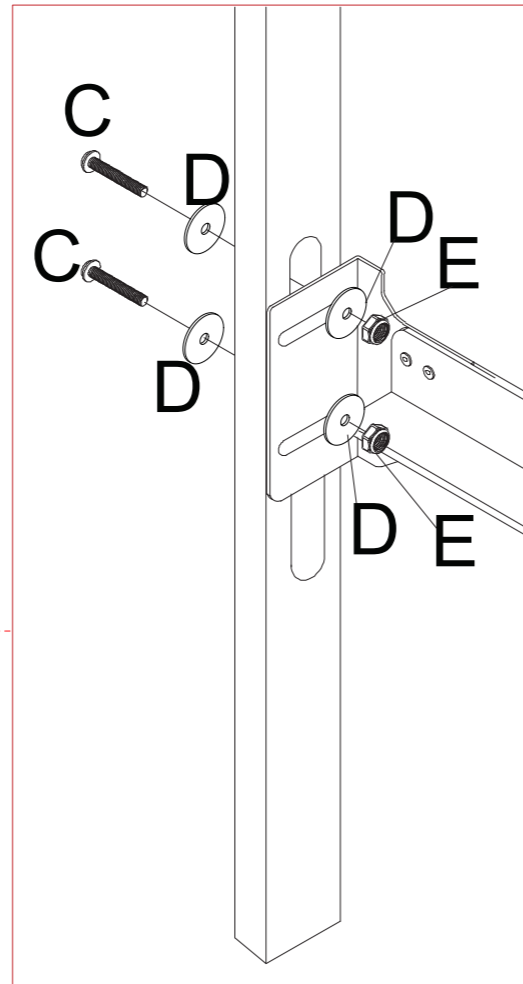
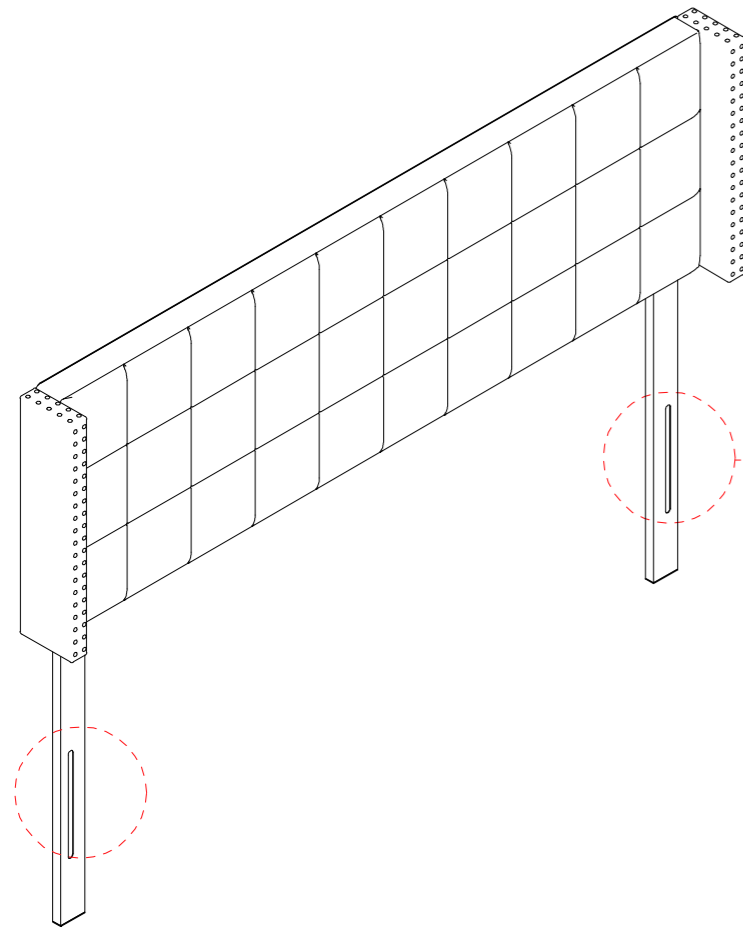


Headboard

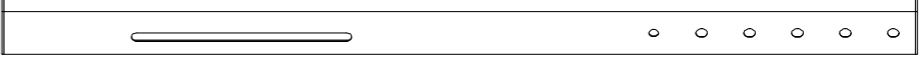
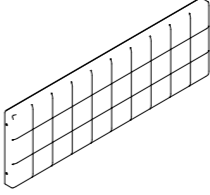

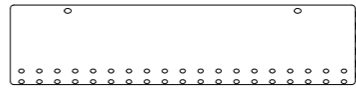


Step 3

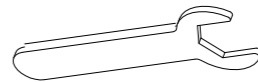
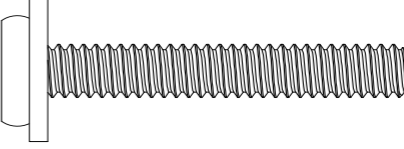
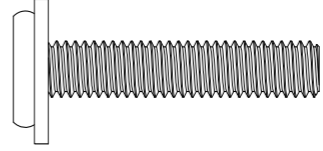
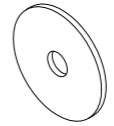
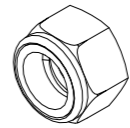

-  A x1
-  C x 4
-  E x4
-  D x 8
-  F x1



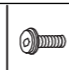

Components

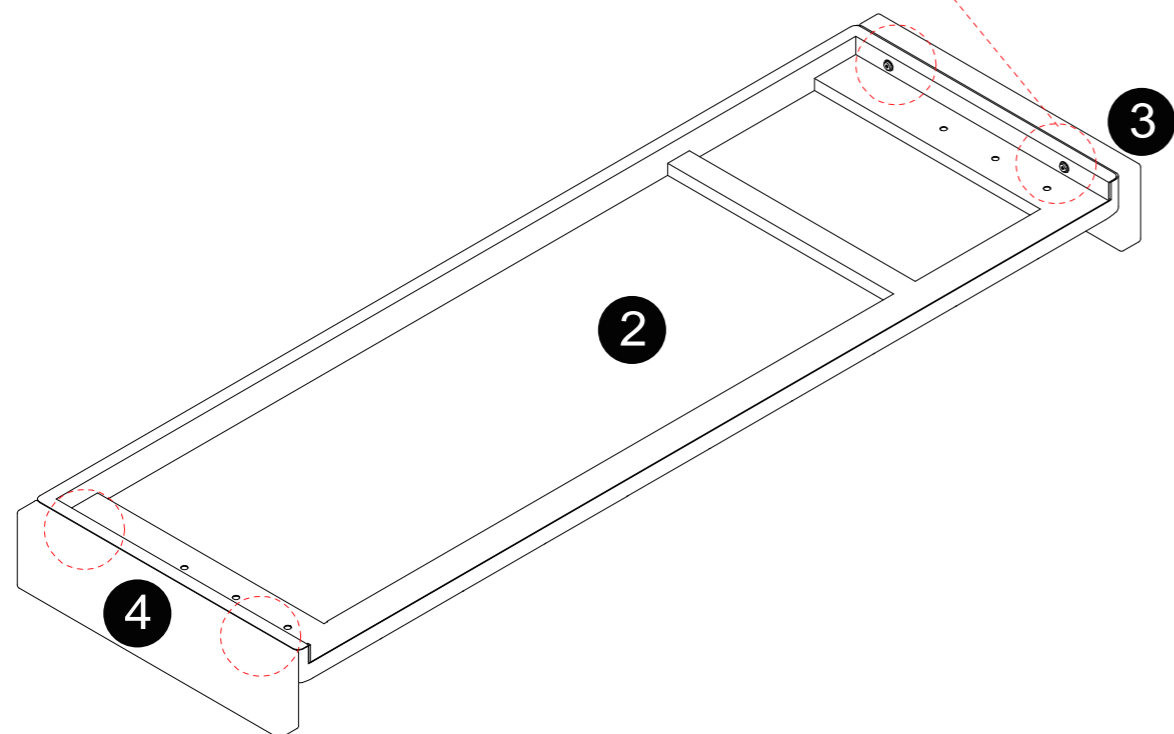
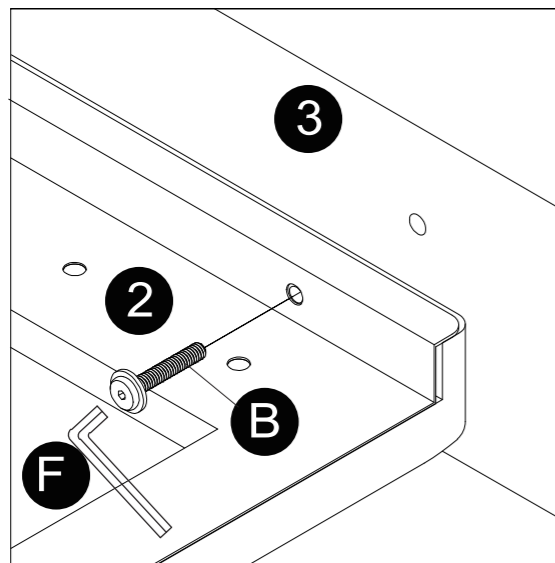
1		2pcs
2		1pc
3		1pc
4		1pc

Screws&Tools

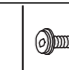

A	Wrench 5/16		1pc
B	Bolt 1/4*45mm		4pcs
C	Bolt 5/16*40mm		8pcs
D	Washer 8.5*38mm		8pcs
E	Nut 5/16		4pcs
F	L-Allen Key M4		1pc

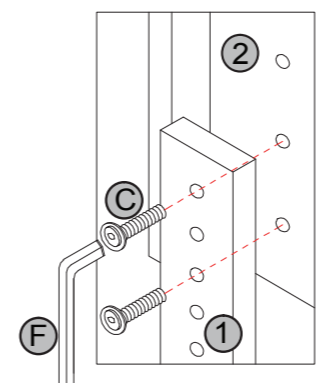
Step 1

 B x 4  F x 1

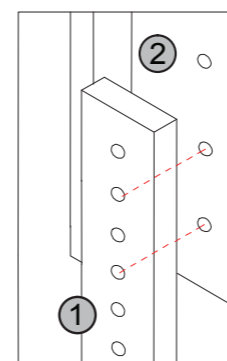


Step 2 Adjust your style with six height options, ranging from 40 to 49.8 inches.

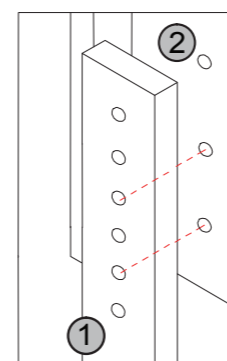
 C x 4  F x 1



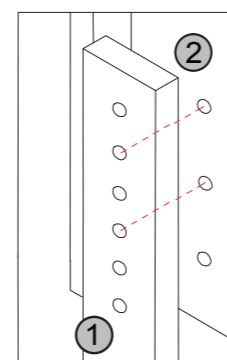
(49.8 inch tall overall)



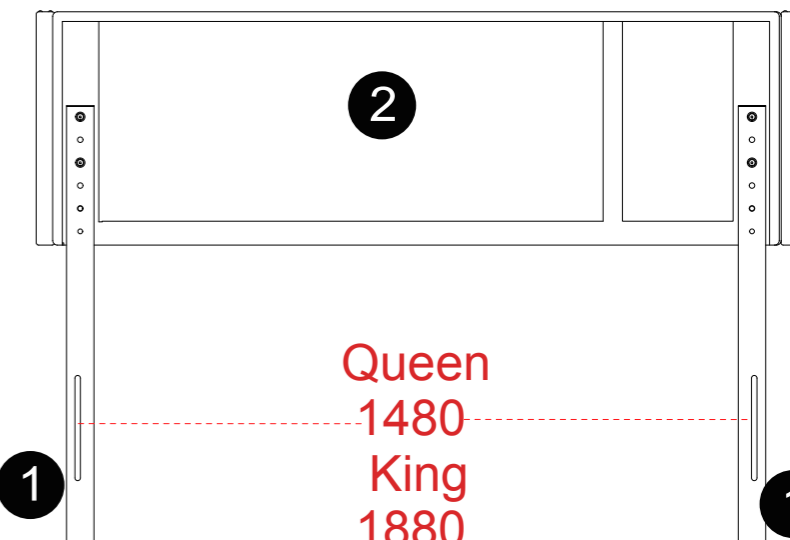
(47.8 inch tall overall)



(45.9 inch tall overall)



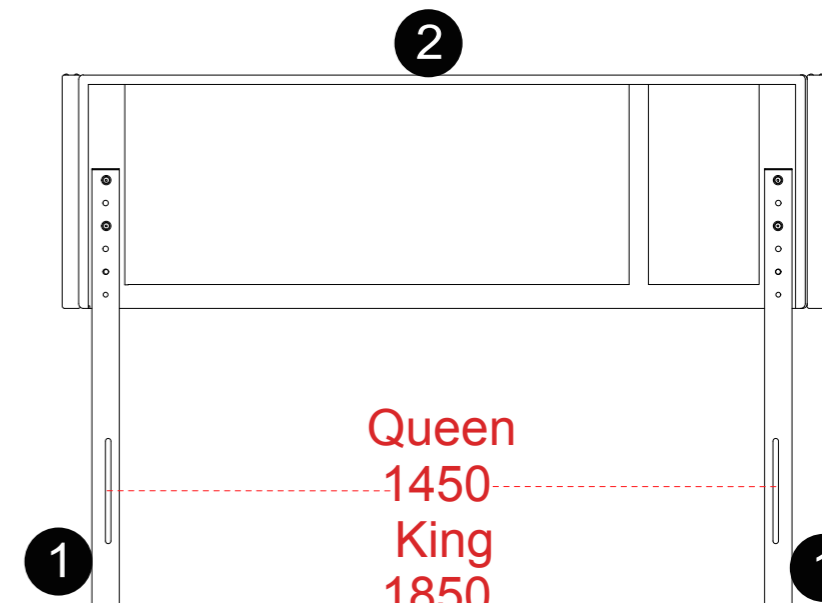
(43.9 inch tall overall)



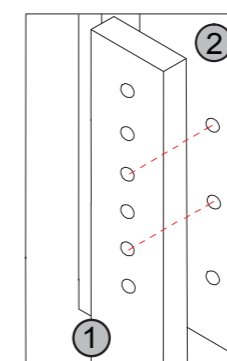
Queen
1480
King
1880

Outward-facing vertical screw holes fit queen beds (58 inches wide) or king beds (74 inches wide).

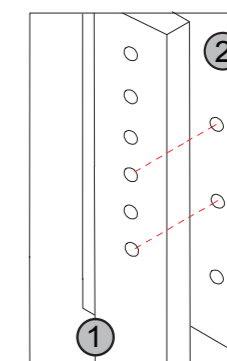
Inward-facing vertical screw holes fit queen beds (57 inches wide) or king beds (73 inches wide)



Queen
1450
King
1850



(42 inch tall overall)



(40 inch tall overall)