

Please go to www.quoizel.com for product cleaning tips. Go to the **Care + Maintenance** selection.

Tools Required: Flathead screwdriver, Phillips screwdriver, pliers, wire cutters, wire strippers, electrical tape, safety glasses, ladder, drill with 7/32-inch drill bit.

Light Source: Integrated 35W LED

Estimated Assembly Time: 45-60 minutes

Preparation: Identify and inspect all parts before beginning installation. Check package content list and diagrams below to be sure all parts are present. If any parts are missing or damaged, do not attempt to assemble, install, or operate the fixture. Contact customer service for replacement parts.

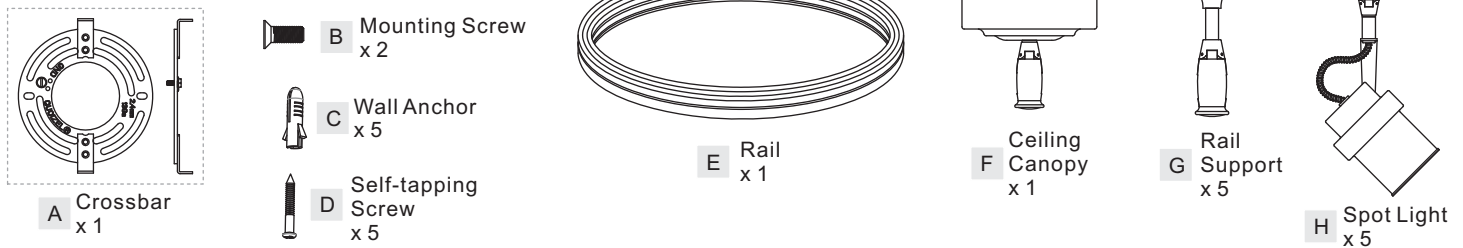
⚠ Warnings and Cautions

Turn off electricity at circuit breaker or main fuse box before installation. Consult a licensed electrician if in doubt.

These instructions are provided for your safety. It is very important you read them completely before installing the fixture. We strongly recommend that a licensed, professional electrician perform the installation.

CAUTION: To reduce the risk of fire, electrical shock, or personal injury, do not touch or remove the spot light on the rail when the light is on. Instead, turn off the electrical power. Unscrew the caps and to remove the spot light from the rail. Then reinstall them back onto the desired positions of the rail.

Package Contents



STEP 1 – Attach Crossbar to Outlet Box

A. Attach the Crossbar (A) to Outlet Box and secure by threading Outlet Box Screws (not supplied) into the Mounting Holes on the Outlet Box. Tighten until snug.

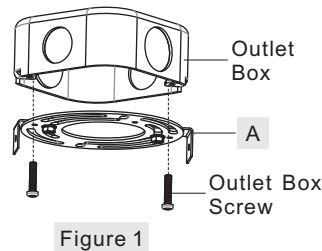


Figure 1

STEP 2 - Wire Connections

- Wrap bare or green ground wire around green ground screw on the crossbar, no less than 2 inches from the end of the wire. Tighten the green ground screw.
- Use standard wire connectors (not included) to make all wire connections. Twist connectors until wires are tightly joined together. Wrap each connection with approved electrical tape and carefully stuff all the connected wires into the Outlet Box.

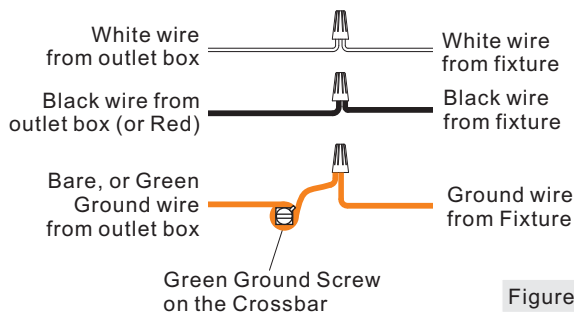


Figure 2

STEP 3 – Attach Ceiling Canopy to Crossbar

A. Line up the holes on the side of the Ceiling Canopy (F) to the mounting holes on the Crossbar (A). Secure them with Mounting Screws (B). Tighten until snug.

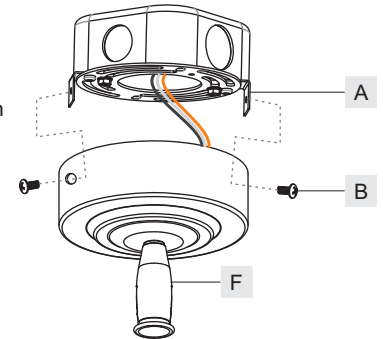


Figure 3

STEP 4 – Determine Support Position

- Identify the first Rail Supports (G) position approximately 14-18" from the Ceiling Canopy (F) and mark the position. The rail may be bent in gentle curves or straight line as desired.
- By using the drill with 7/32-inch drill bit, drill holes on marks.

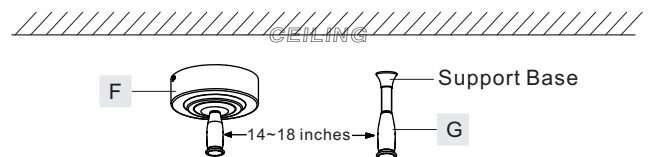


Figure 4

Thank you for purchasing a Quoizel product.
Need assistance with parts or assembly? Call Quoizel customer service at 1-800-645-3184
or visit us on-line at www.quoizel.com

STEP 5 - Install Rail support

A. Disassemble support base from Rail Supports (G) as shown.

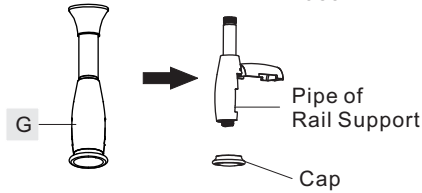


Figure 5A

B. Insert the Wall Anchor (C) into the drilled hole on the ceiling. Pass the Support Base over the Wall Anchor (C) and then screw the self-tapping screw (D) through the Support Base into the wall anchor until tight.

C. Thread the Rail Support (G) into the Support Base and hand tighten until snug.

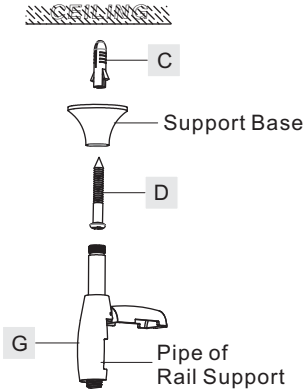


Figure 5B

STEP 6 - Instal Rail to Rail Support

A. Carefully take out the Rail (E) from the package and unfold it. There has an Indented Groove and Brass Strip in the side of the Rail (E).

B. Turn the Moveable Part of the Rail Support (G) up. Attach the Rail (E), while making certain the indented groove are facing toward the bump, securely into the Rail Support (G).

NOTE: The Shallow V-pit on the Rail (E) is always facing to the ceiling.

D. Close back the moveable part of Rail Support (G) over the rail, then restore the Caps back to the Rail Support (G).

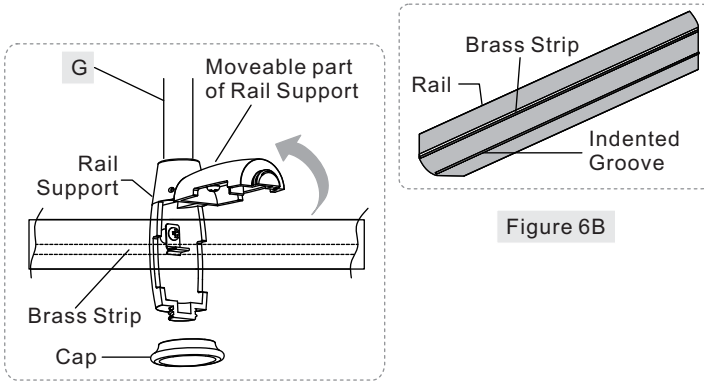


Figure 6B

Figure 6A

STEP 7 - Instal Rail to Ceiling Canopy

A. Unscrew the Caps from the Rail Adapter, and then turn the Moveable Part of the Rail Adapter body up.

B. Attach the Rail (E) onto the slot of the pre-tightened Rail Adapter. **Note: If the Adapter is not able to close around the Rail, turn Rail around so Adapter fits properly.**

C. Close back the Moveable Part of Rail Adapter body over the Rail (E), then restore the caps back to the rail adapter. Make certain that the Brass Clips of the adapter are connected properly with the Brass Strips of the Rail (E).

CAUTION: To ensure the fixture works correctly, make sure the connection between the Adapter and the Rail is correct.

(Step 7 Continued)

D. Shape the Rail (E) as your desired. Then mark and drill the desired positions on the ceiling for the rest of the Rail Supports (G).

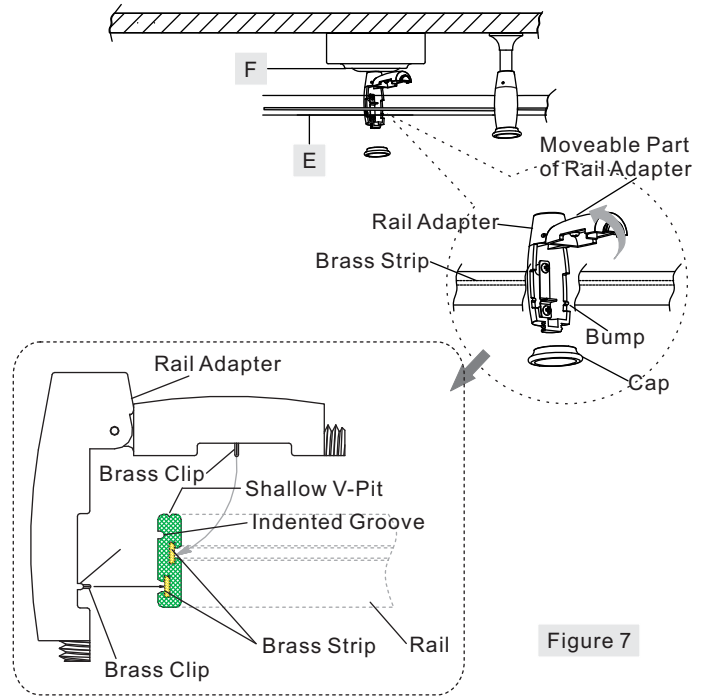


Figure 7

STEP 8 - Spot Light Installation

A. Choose one spot light, unscrews the Caps from the Rail Adapter of Spot Light (H), then turn the Moveable Part of Rail Adapter body down.

B. Attach the Rail Adapter of the Spot Light (H) onto the Rail (E). Close back the Moveable Part of Rail Adapter body over the Rail (E), then restore the Caps back to the Rail Adapter. Make certain that the Brass Clips of the Adapter are connected properly with the Brass Strips of the Rail.

CAUTION: To ensure the fixture works correctly, make sure the connection between the adapter and the rail is correct. The Shallow V-pit on the Rail is always facing to the ceiling.

C. Follow steps A~B to install the other spot lights onto the rail.

Note: Adjust the spotlight head to a desired position by using the swivel.

Your fixture is now assembled and ready to use. Enjoy!

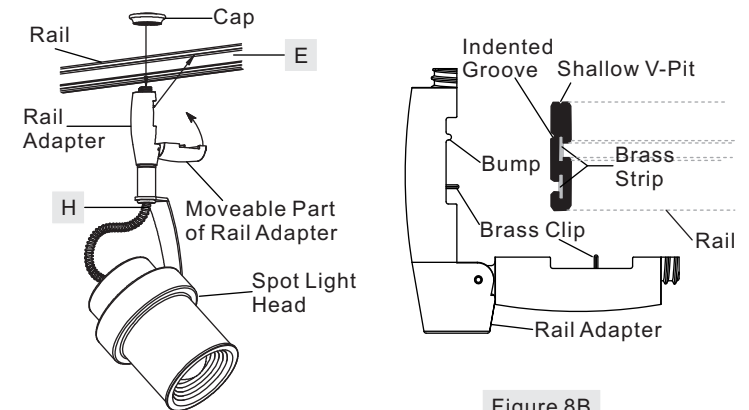


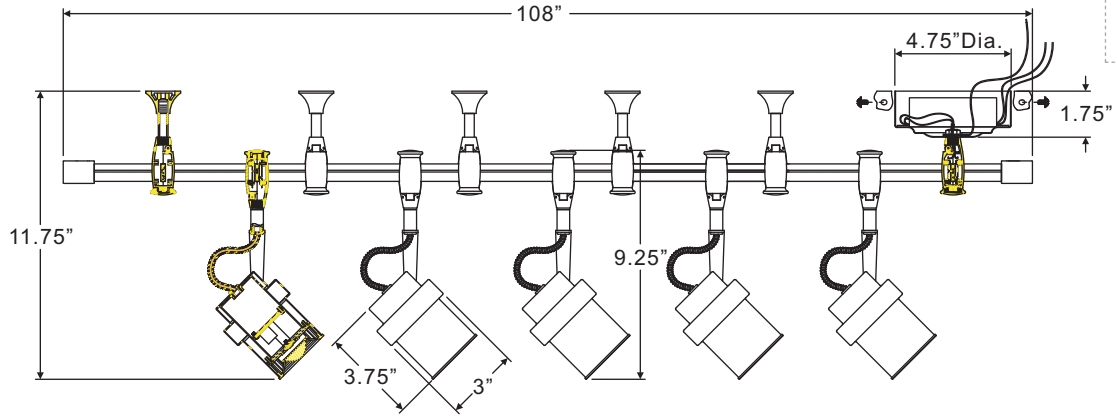
Figure 8A

Figure 8B

Thank you for purchasing a Quoizel product.
Need assistance with parts or assembly? Call Quoizel customer service at 1-800-645-3184
or visit us on-line at www.quoise.com

CMA1405WT

FINISH: WESTERN BRONZE



NOTE: ALL DIMENSIONS ARE ROUNDED UP TO THE NEAREST 1/4"

Thank you for purchasing a Quoizel product.
Need assistance with parts or assembly? Call Quoizel customer service at 1-800-645-3184
or visit us on-line at www.quoise.com