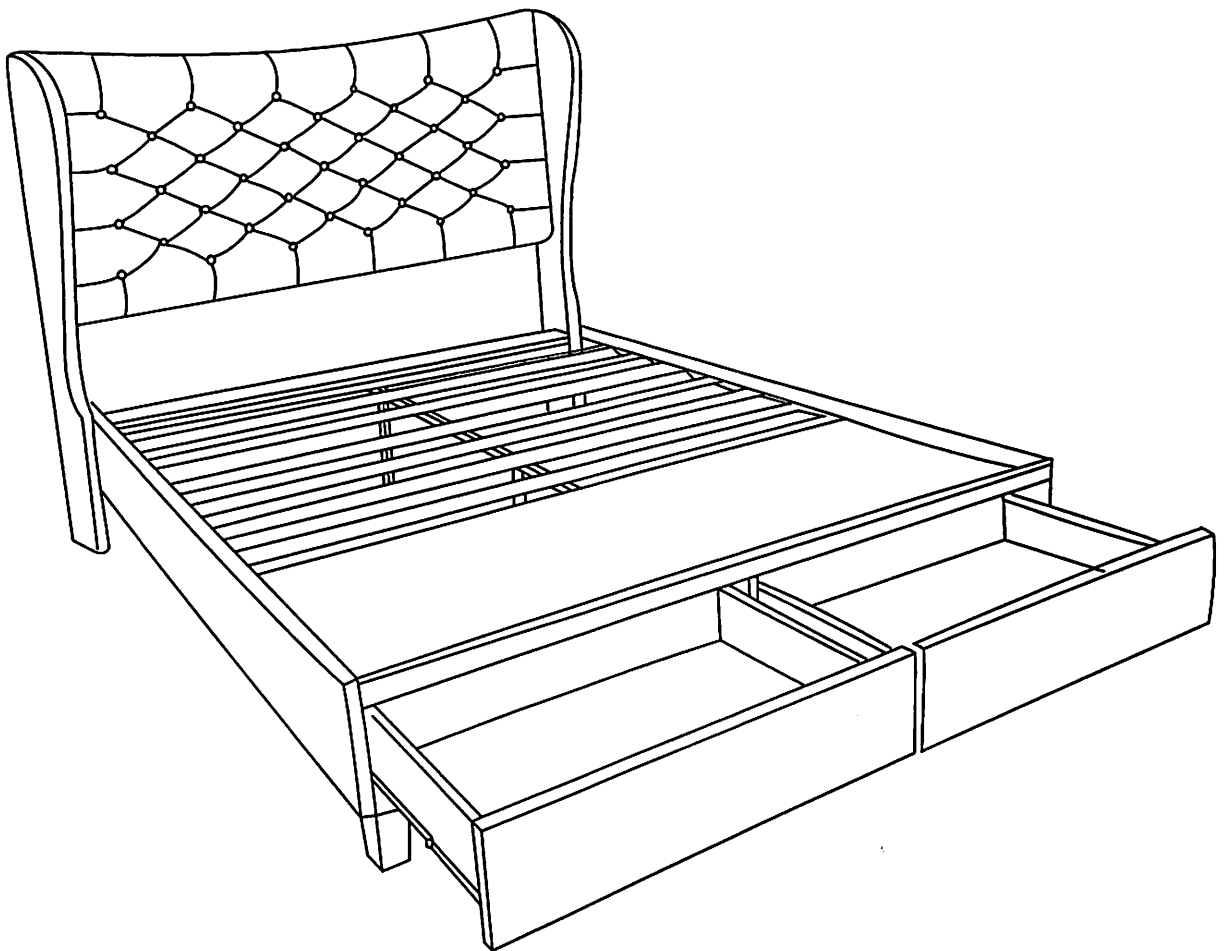


THANK YOU FOR YOUR PURCHASE
VERSION:J1

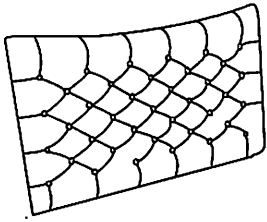
ASSEMBLY INSTRUCTION
DRAWER BED00051-FULL/QUEEN

IMPORTANT:PLACE ALL PARTS ON A CLEAN AND SMOOTH SURFACE SUCH
AS A RUG OR CARPET TO AVOID THE PARTS FROM BEING
SCRATCHED
KINDLY FOLLOW THE ASSEMBLY INSTRUCTIONS STEP
DO NOT TIGHTEN ALL SCREWS UNTIL THE BED IS FULLY SET-UP
THE BED DRAWERS, SIDE RAIL, SUPPORT RAIL, CROSSBAND
AND PLASTIC LEGS ARE INCLUDED **BOX 2**



PARTS LIST(BOX 1):

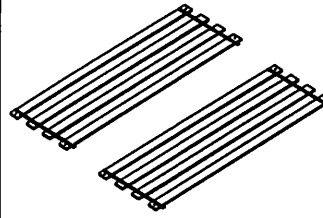
① Headboard=1 pc



④ Wingback=2 pcs



⑦ Slat=2 sets (8pcs)

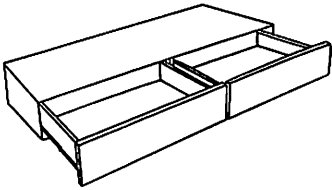


⑨ Support Leg=2 pcs

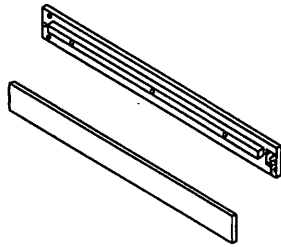


PARTS LIST(BOX 2):

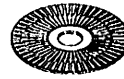
② Drawer=1 set



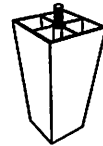
③ Side Rail=2 pcs



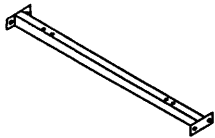
⑤ Plastic Pad=5 pcs



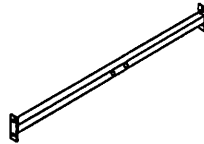
⑥ Plastic Leg=5 pcs



⑧ Support Rail=1 pc



⑩ Crossband=1 pc



HARDWARE LIST:

Ⓐ Bolt=6 pcs
(M6x25mm)



Ⓑ Bolt=6 pcs
(M6x35mm)



Ⓒ Bolt=4 pcs
(M8x25mm)



Ⓓ Bolt=10 pcs
(M8x50mm)



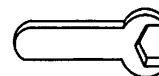
Ⓔ Screw=8 pcs
(4X35mm)



Ⓕ Nut=6 pcs (M6)



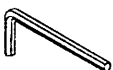
Ⓖ Wrench=1 pc



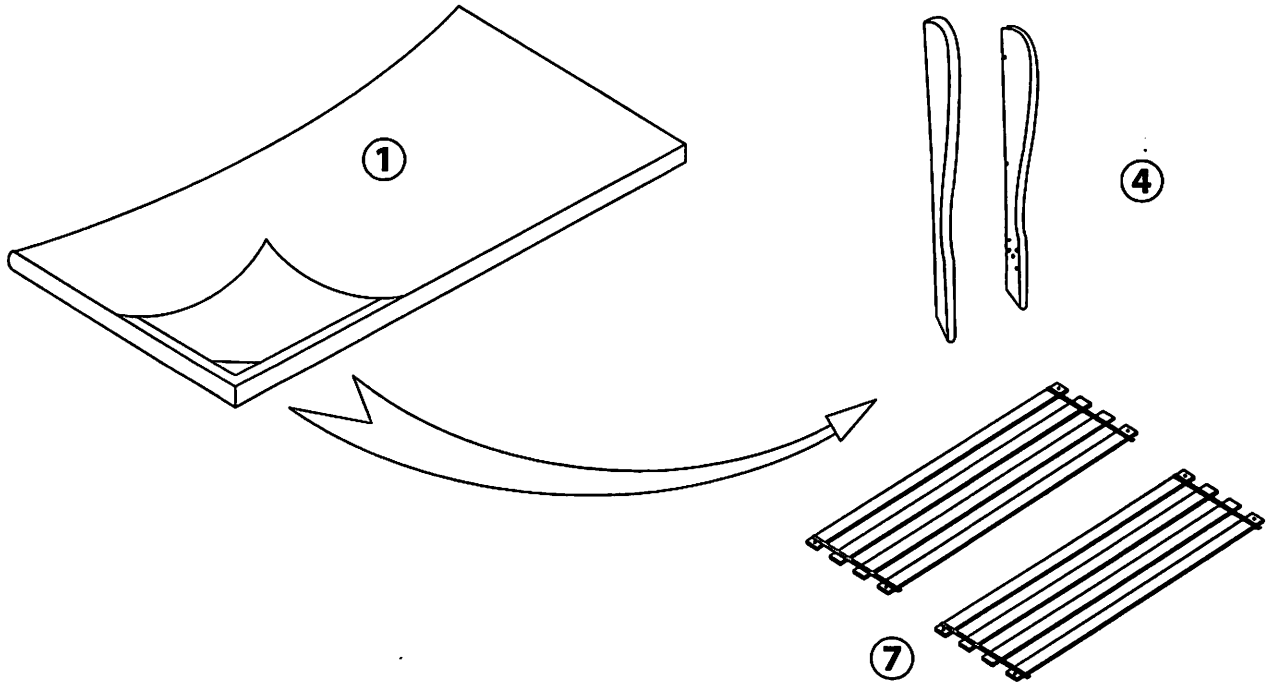
Ⓖ Flat Washer=10 pcs
(M8x22mm)



Ⓙ Allen Key=1 pc

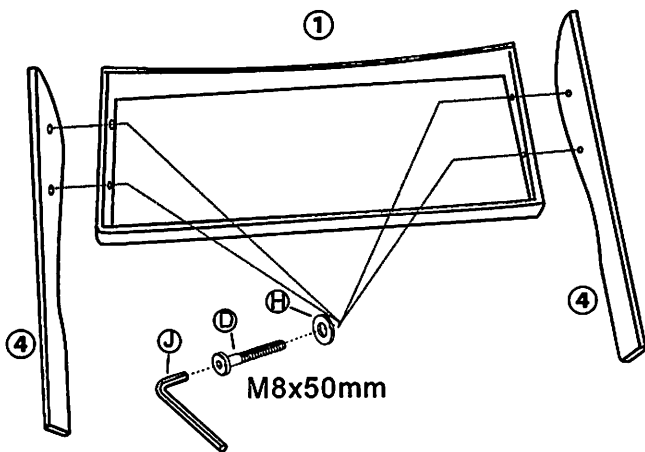


STEP 1

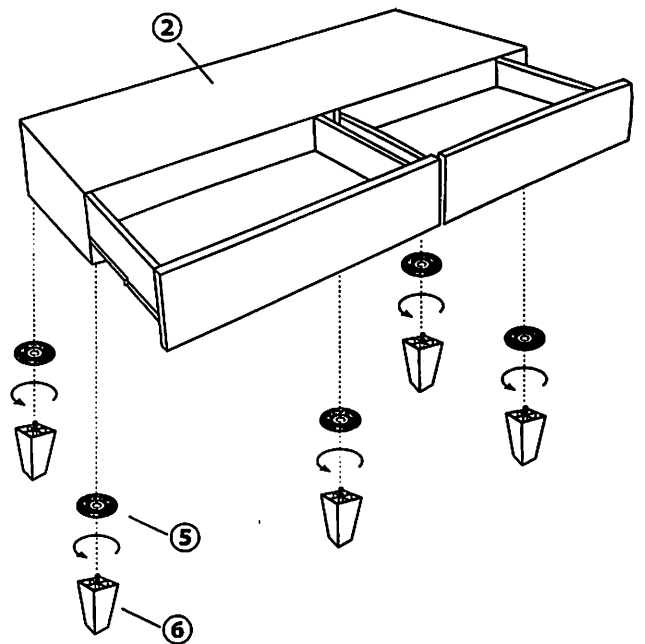


WINGBACKS, SLATS HIDDEN INSIDE OF THE HEADBOARD, PLZ LIFT THE COVER.

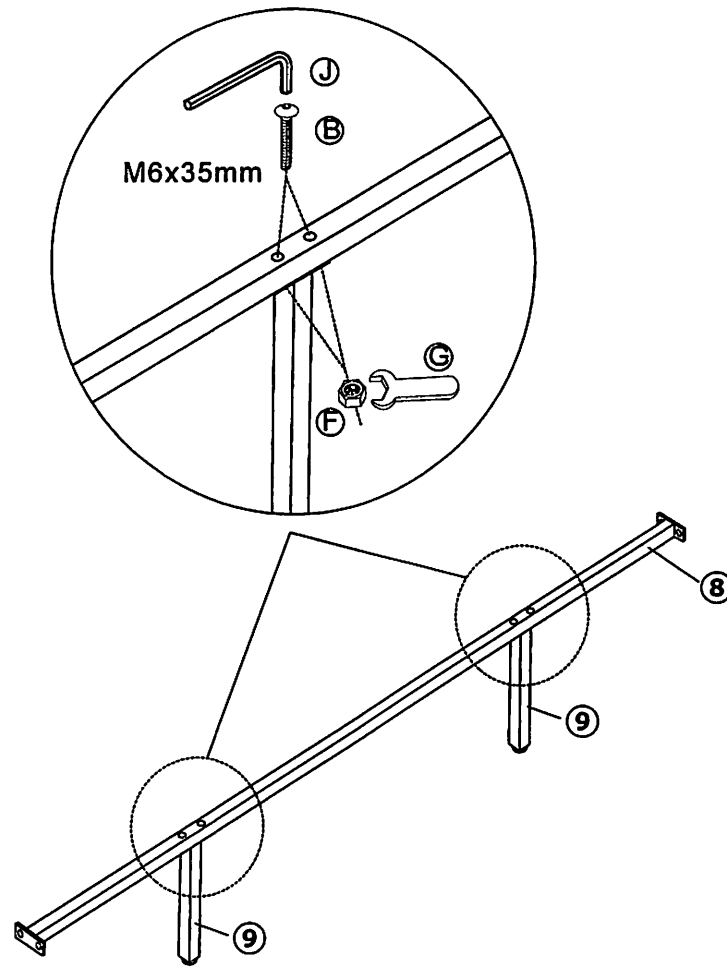
STEP 2



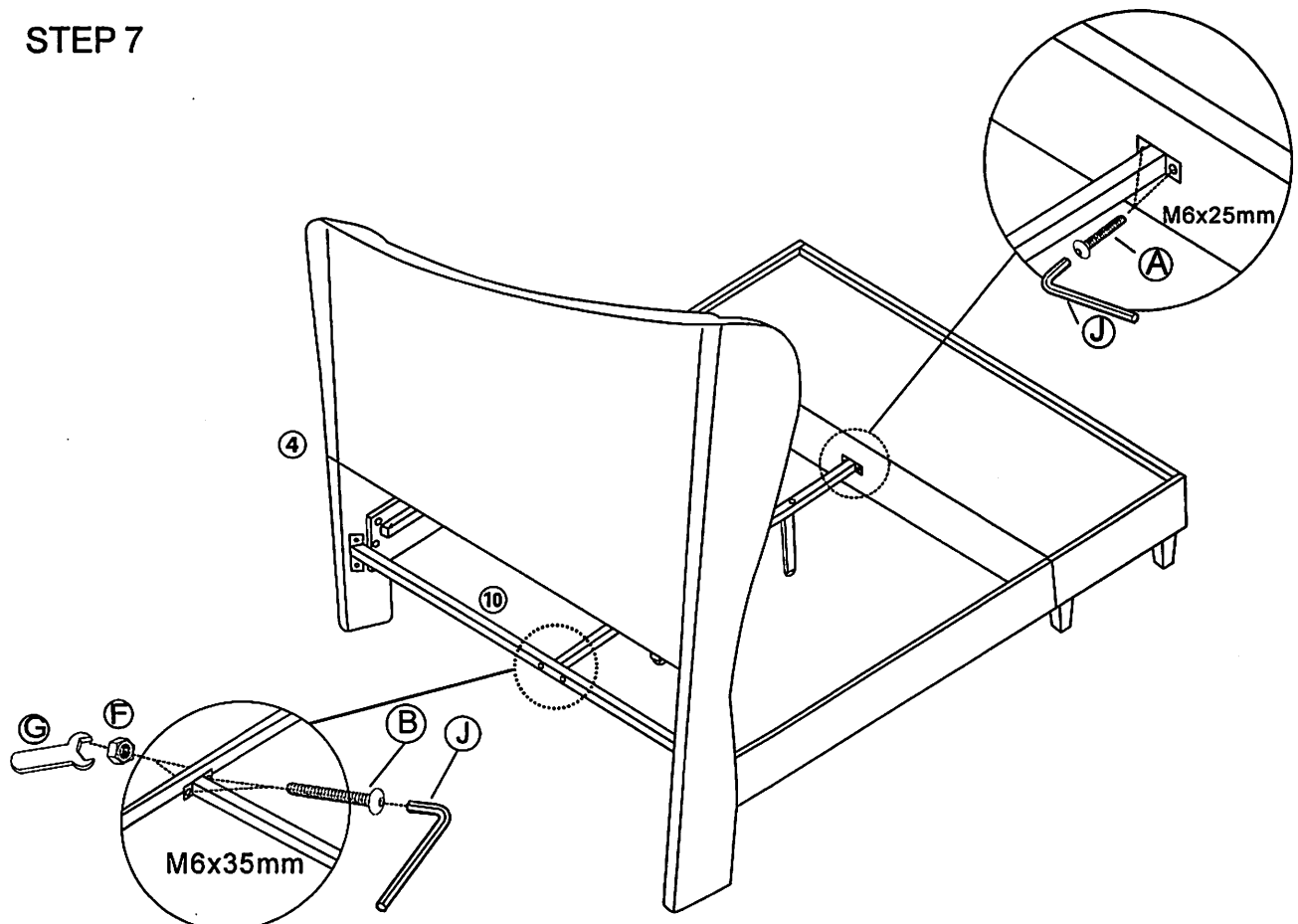
STEP 3



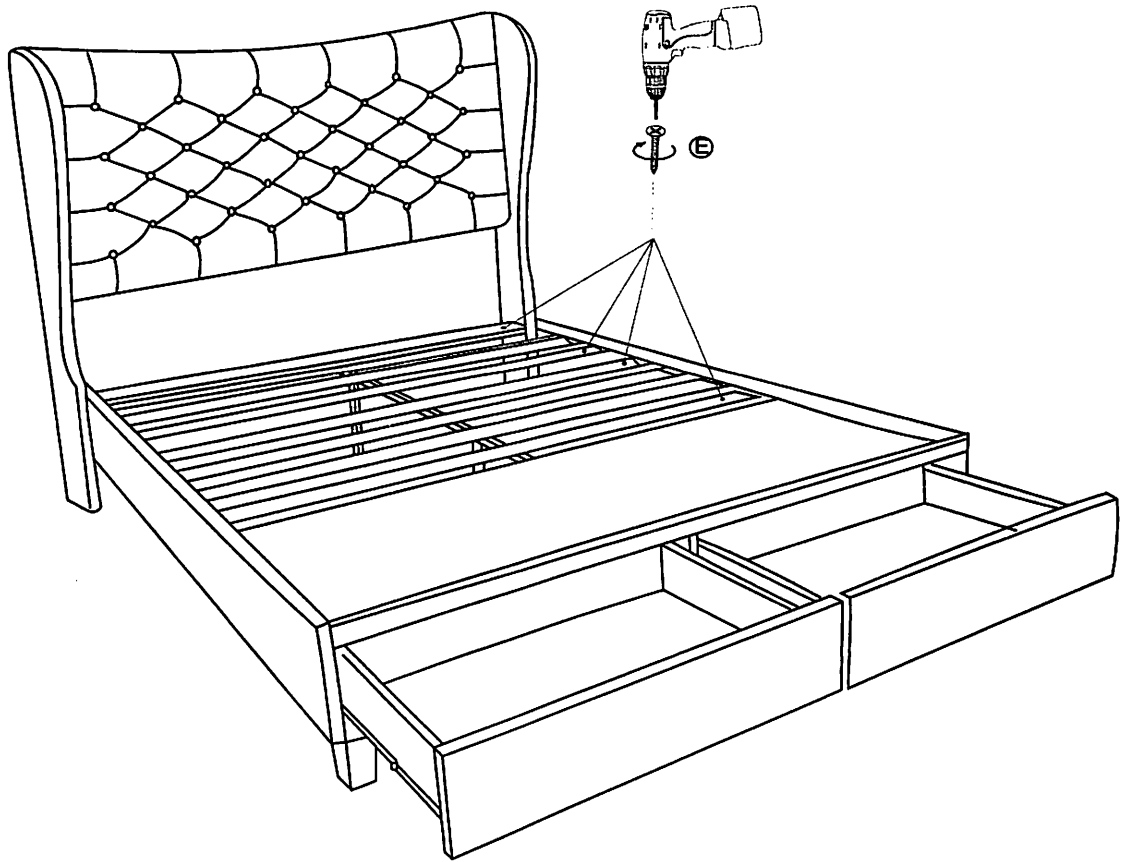
STEP 6



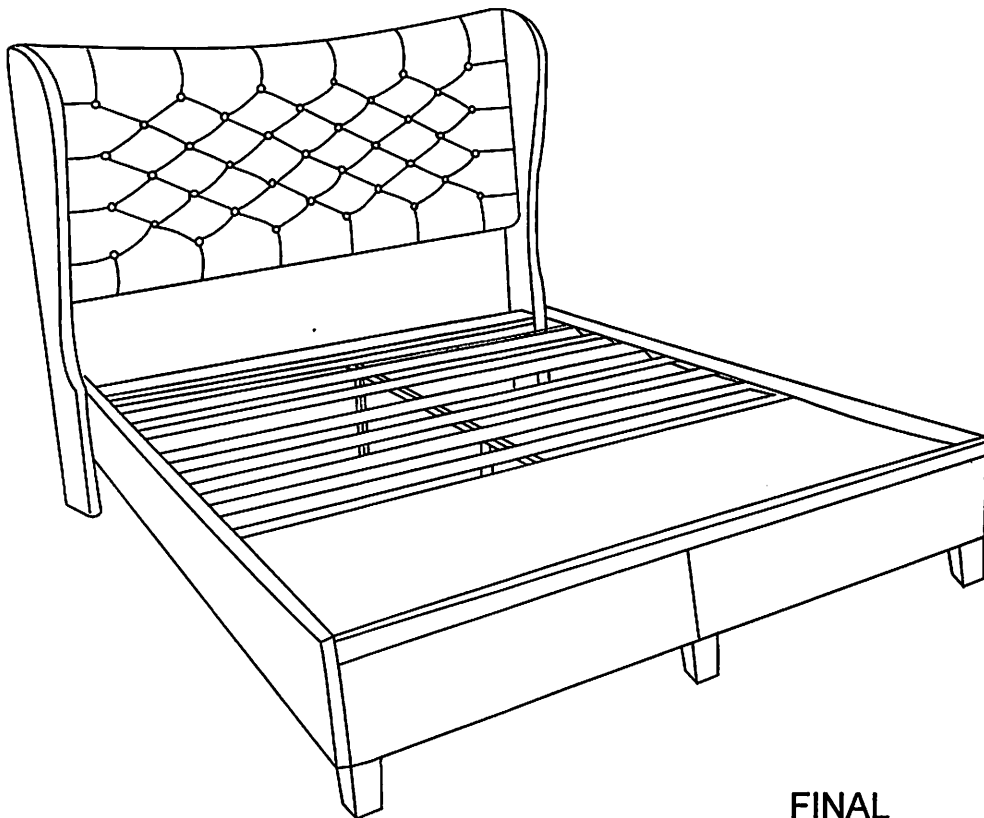
STEP 7



STEP 8



STEP 9



FINAL