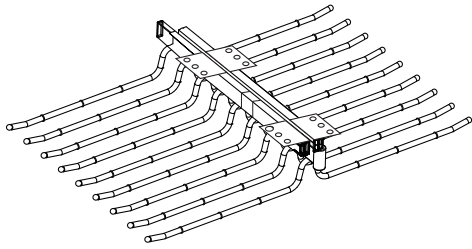
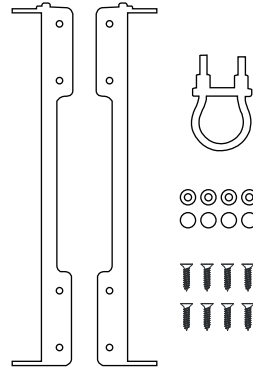


Installation Sheet

*Packing List

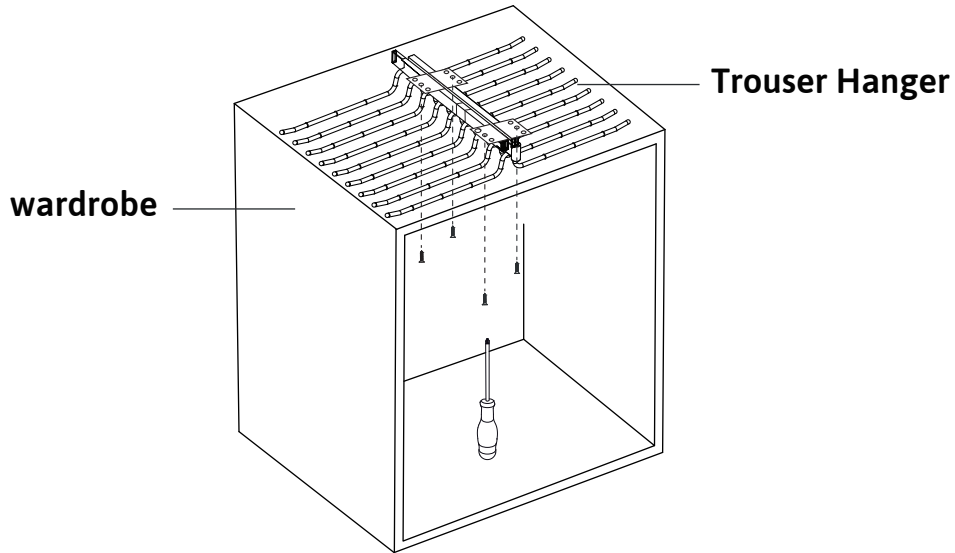


Trouser Hanger



Mounting Accessories

***Step 1** The holes in the middle of the four drilling positions of the track are fixed in the wardrobe with screws.



***Step 2** Align the decorative plastic cover with the remaining holes and fix it under the track with screws.

