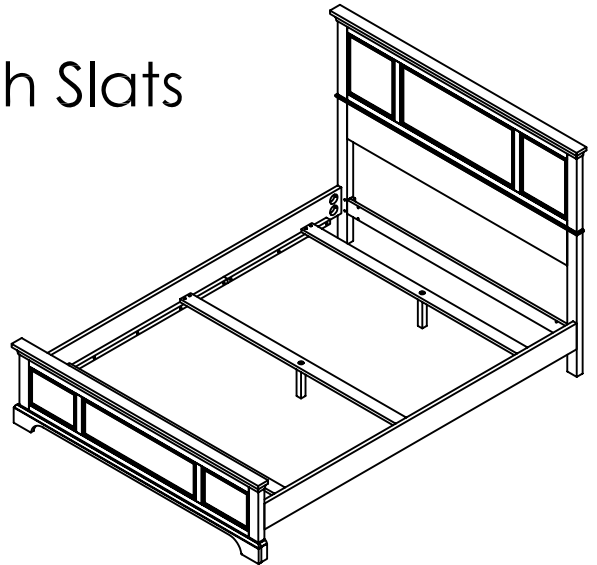


Queen Bed Rails with Slats

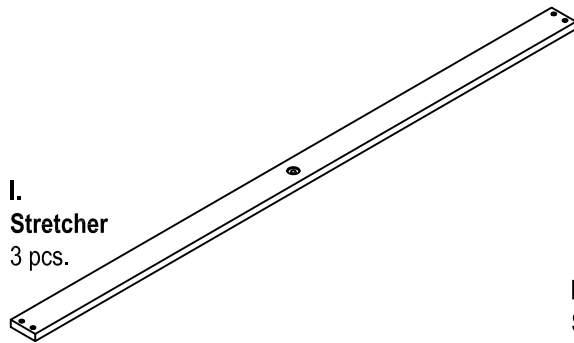


IMPORTANT NOTE

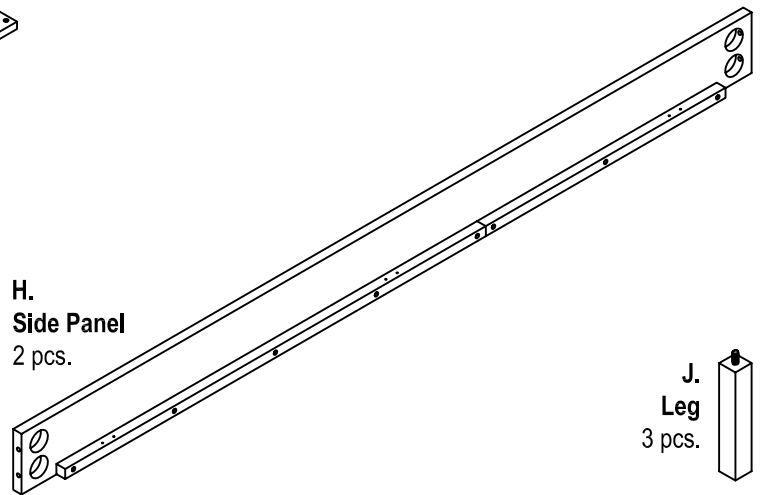
Carefully remove all the parts from the carton and put them individually on a soft cloth to prevent scratches or other damages occurring to the wood parts.

We have taken great care in the design of this product and request that you carefully and strictly follow our assembly instructions to ensure a completed product as it was designed.

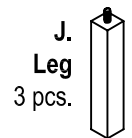
Part List



I.
Stretcher
3 pcs.



H.
Side Panel
2 pcs.



J.
Leg
3 pcs.

Hardware List



Bolt
8 pcs. (+1 extra)



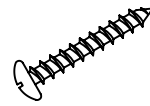
Square Washer
8 pcs. (+1 extra)



Nut
8 pcs. (+1 extra)



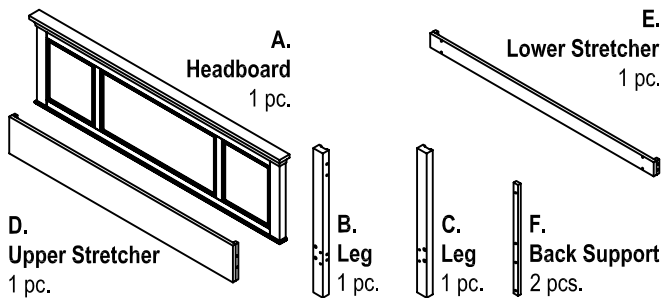
Key Wrench
1 pc.



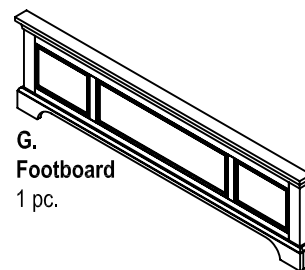
Wood Screw
12 pcs. (+1 extra)

For assembly also need the following :

Queen Headboard Carton quantity: 1



Queen Footboard Carton quantity: 1

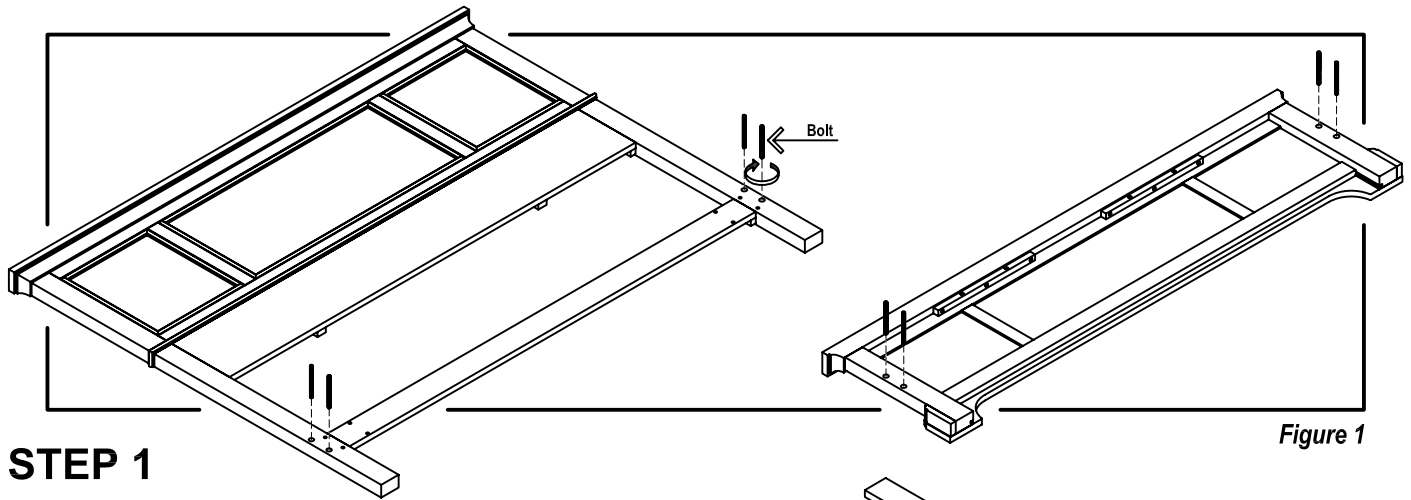


Tools Required For Assembly : Phillips screwdriver

Assembly Instructions 2/2

IMPORTANT

- * Do not tighten up all the bolts & screws until each part is properly assembled.
- * You should keep Hex Wrench in a safe place as you may need to tighten up the Nuts in the future.



STEP 1

Insert Bolts into the pre-drilled holes of Headboard and Footboard. (See figure 1)

Assemble Side Panels (H) to Headboard and Footboard using Square Washers and Nuts. Tighten all the Bolts with Key Wrench.

Insert Leg (J) into pre-drilled holes of Stretchers (I) and tighten.

Attach Stretchers (I) to the unit with Wood Screws.

