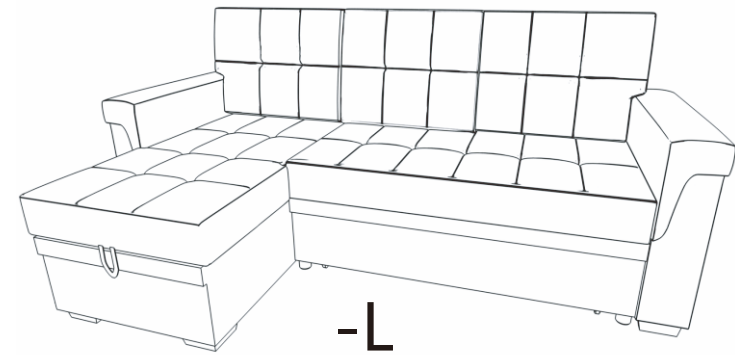
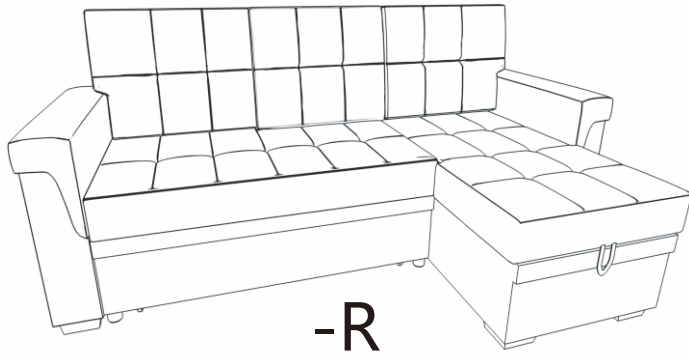
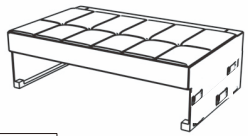


# ASSEMBLY INSTRUCTION

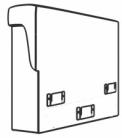


## PARTS LIST



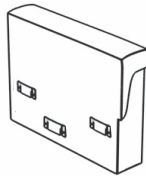
A

x1



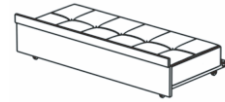
B

x1



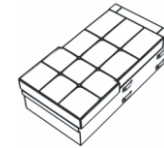
C

x1



D

x1



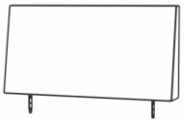
E

x1



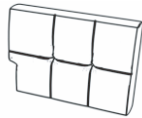
F

x1



G

x1



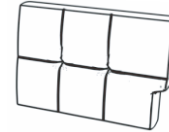
H

x1



I

x1



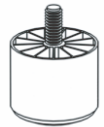
J

x1



K

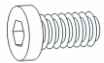
x6



L

x6

## HARDWARE LIST



1

x8



2

x1



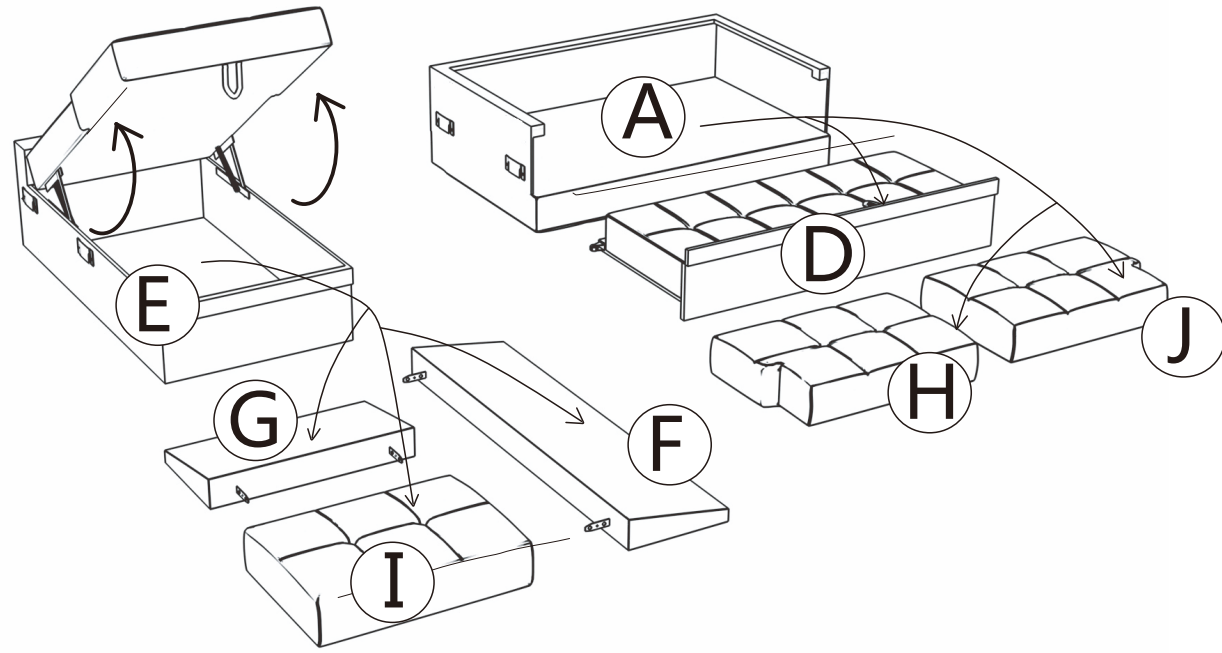
3

x18

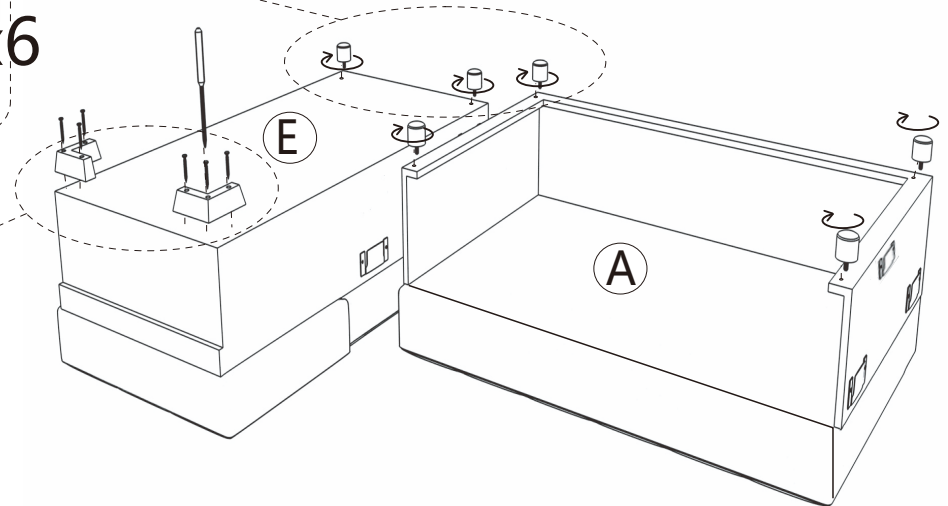
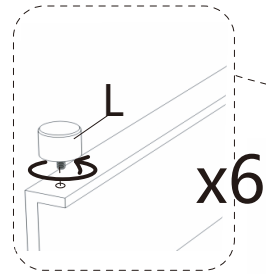
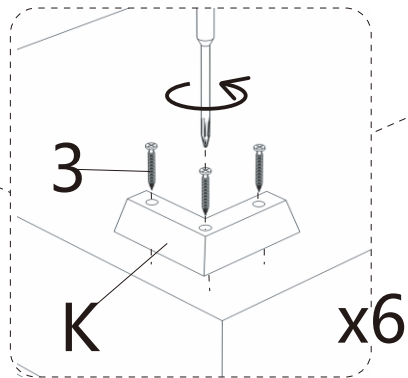
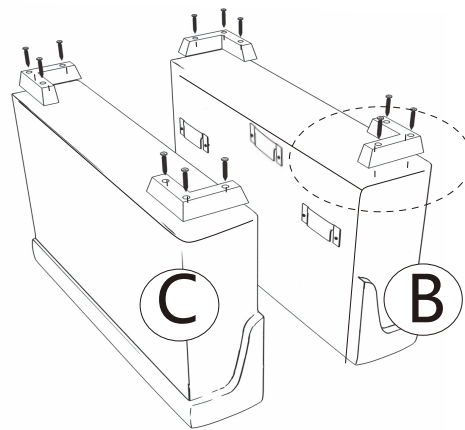


4

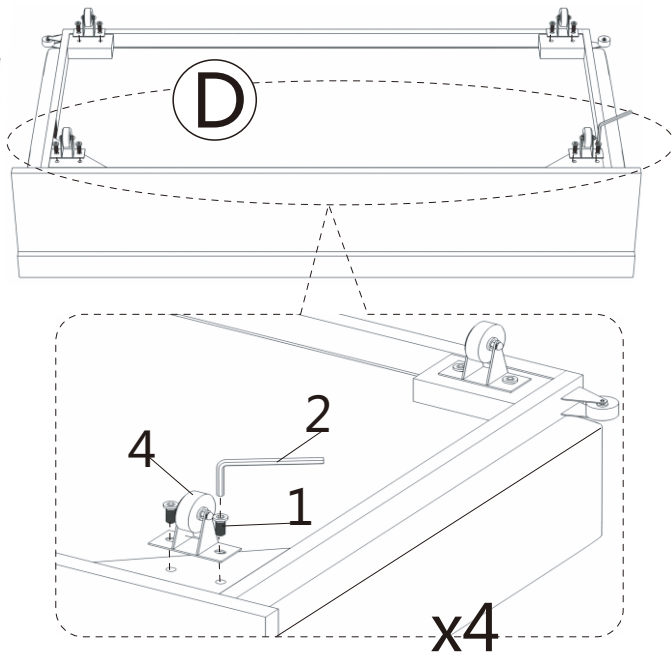
x4



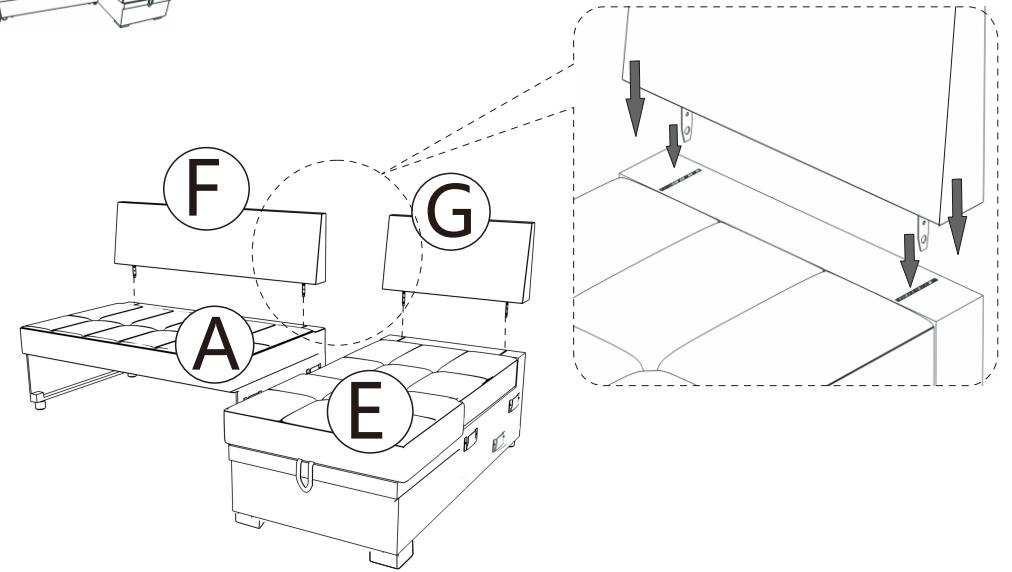
**Step1-R**



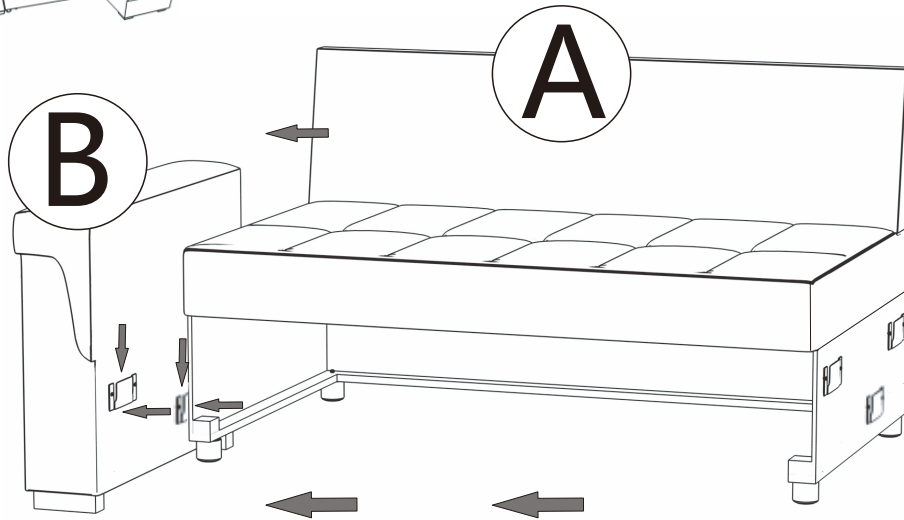
### Step2-R



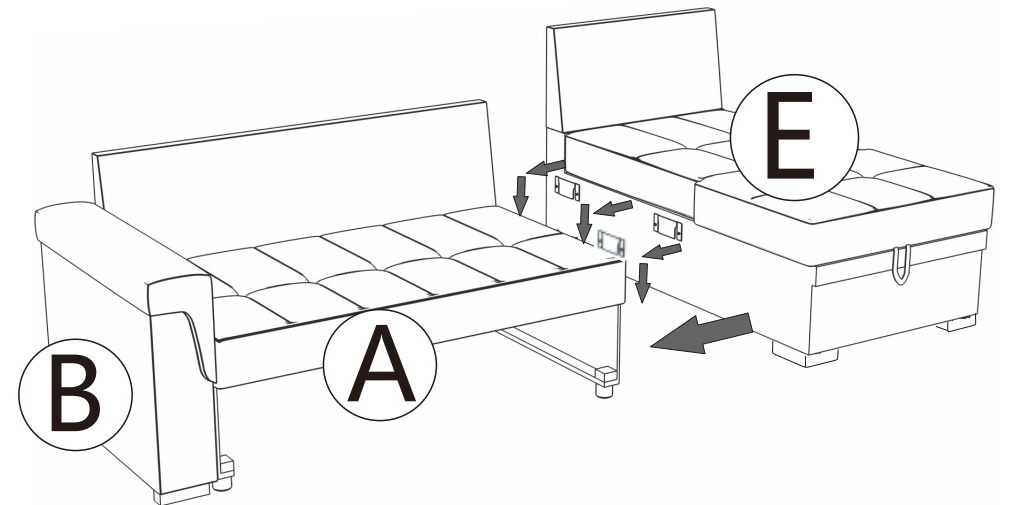
### Step3-R



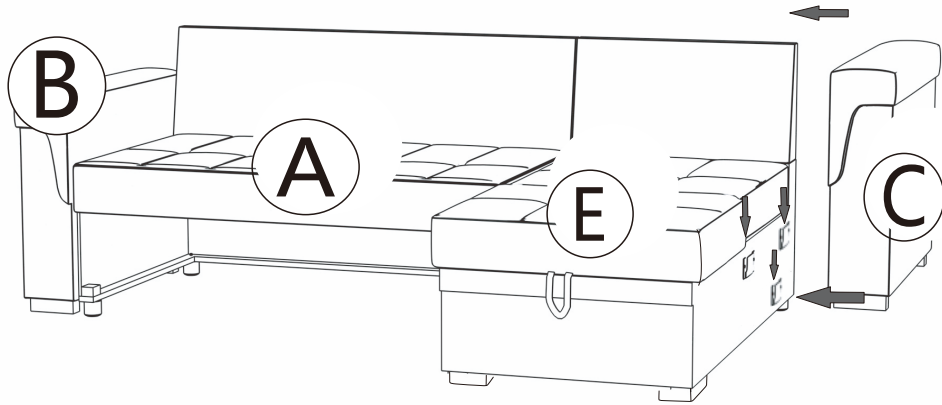
### Step4-R



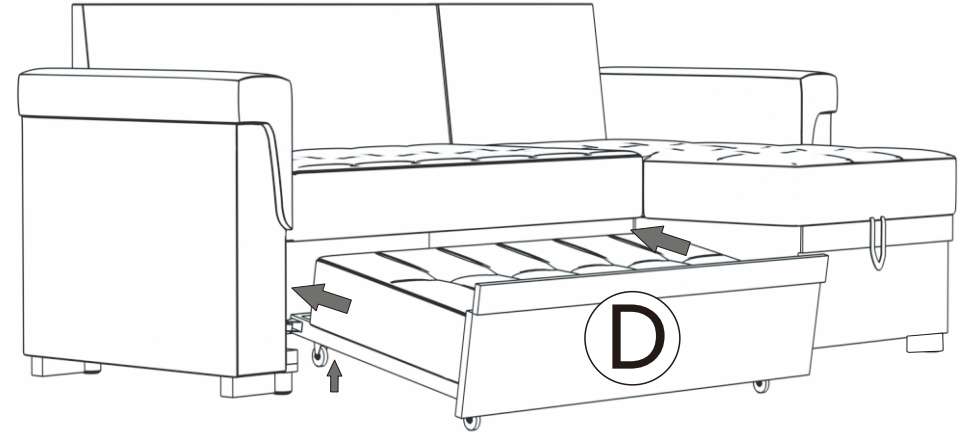
### Step5-R



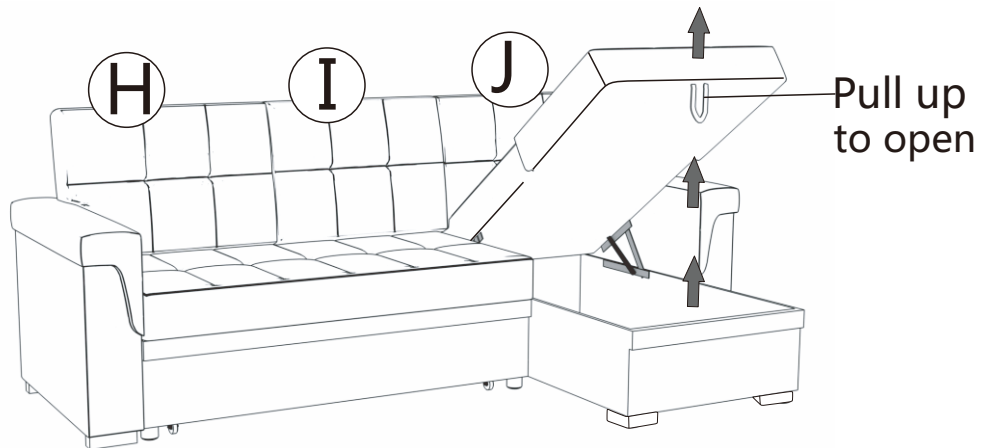
### Step6-R



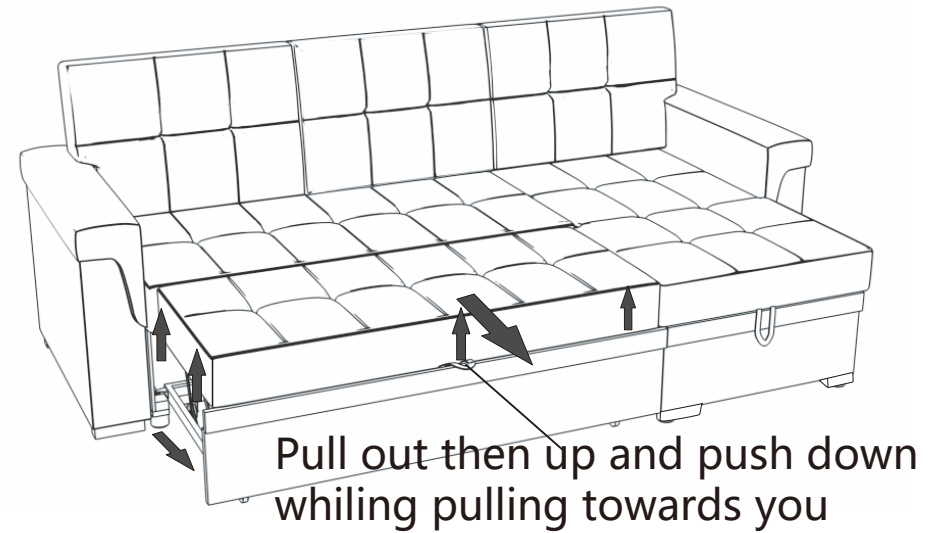
### Step7-R



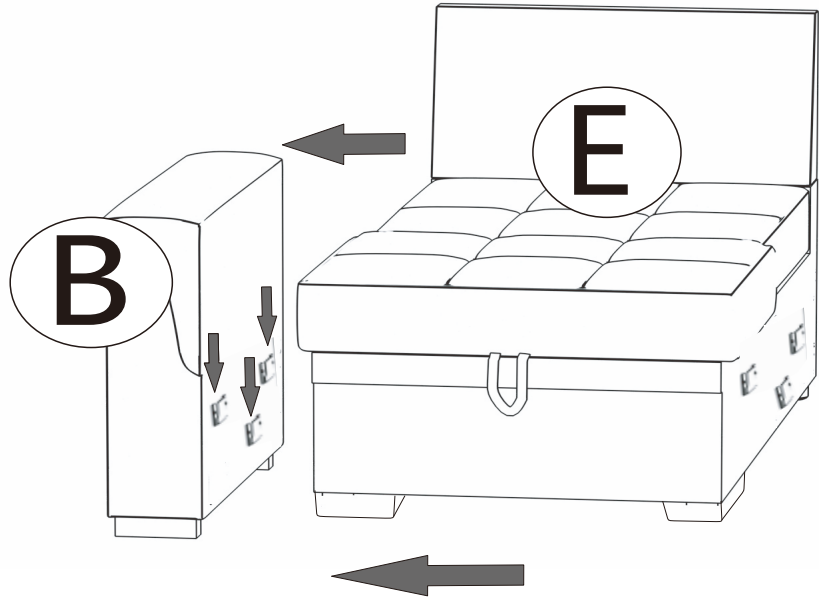
### Step8-R



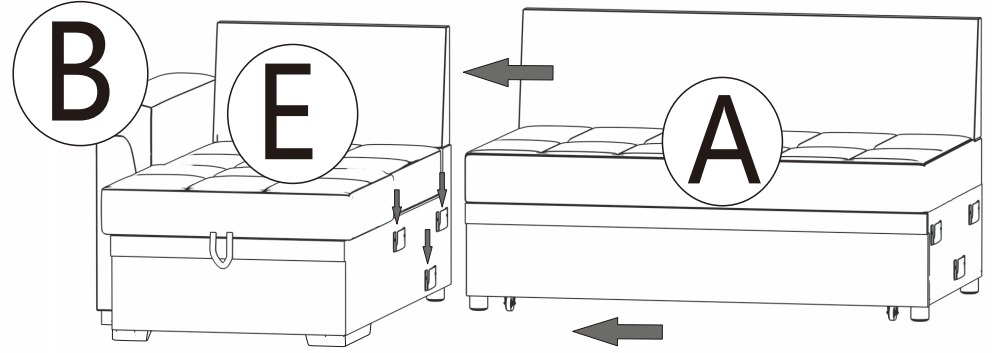
### Step9-R



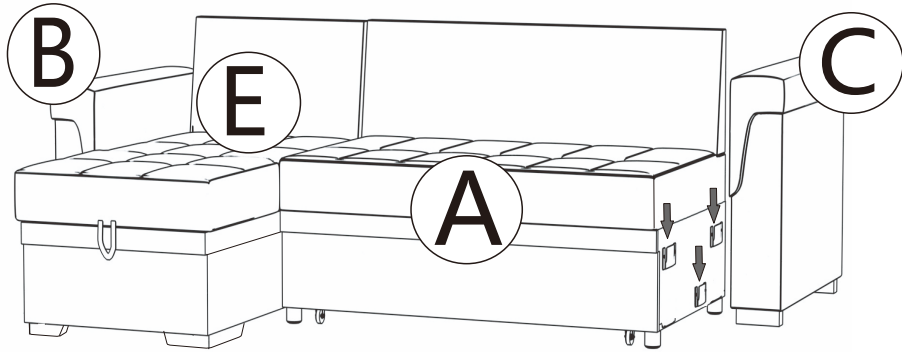
### Step1-L



### Step2-L



### Step3-L



### Step4-L

