

ASSEMBLY INSTRUCTIONS

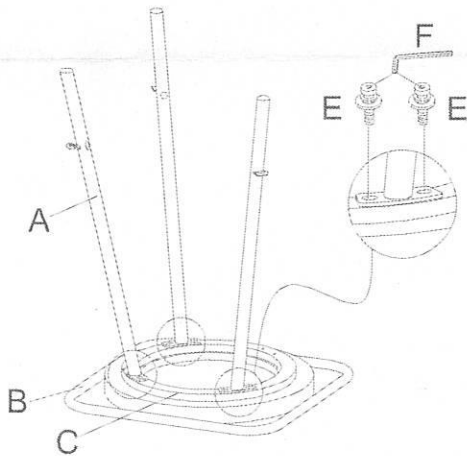
NOTE: THIS ITEM NOT RECOMMENDED FOR COMMERCIAL USE

KEEP THIS DOCUMENT FOR REFERENCE IN CASE PARTS ARE NEEDED

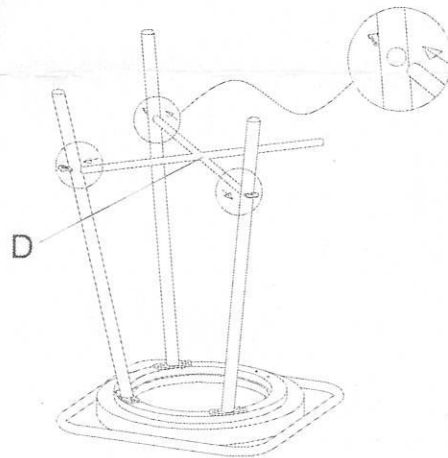
DO NOT TIGHTEN SCREWS UNTIL COMPLETELY ASSEMBLED !!

| NO | DESCRIPTION | | Q' TY |
|----|----------------|-------------------|-------|
| A | CHAIR LEGS | 22-3/4" X 2-1/2" | 4 |
| B | STRETCHER RING | 16" X 16" | 1 |
| C | SEAT | Ø13-3/4" X 1-3/4" | 1 |
| D | STRETCHER | 13" X 13" | 1 |
| E | BOLT | Ø1/4" X 5/8" | 12 |
| F | ALLEN KEY | 4mm | 1 |

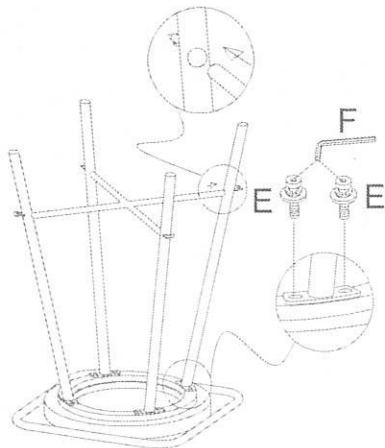
STEP 1



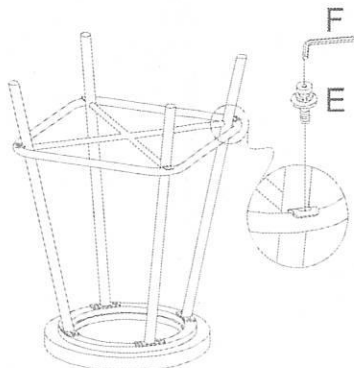
STEP 2



STEP 3



STEP 4



STEP 5

