



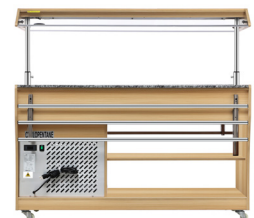
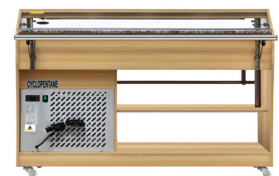
# SPEC SHEET

## KoolMore 59 in. Commercial Refrigerated Buffet Table with Capacity for 4 Full-Size GN Pans, Featuring Adjustable Cover, a Serving Rail and 4 Lockable Casters in Wooden Finish

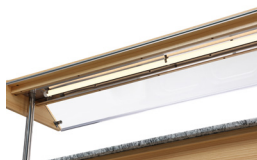
Model: KM-RBT-54ACS

### FEATURES

- **Elegant Design:** Luxurious wood and granite finish adds sophistication, durability, and easy cleaning for any decor.
- **Versatile Pan Capacity:** Holds up to 4 full-size GN pans with flexible configurations for diverse cold dish displays.
- **Adjustable Sneeze Guard:** Lowers to protect food from contaminants, ensuring hygiene and freshness.
- **Pull-Out Buffet Rail:** Convenient space for plates, utensils, and condiments enhances functionality.
- **Digital Temperature Control:** Precise system maintains 36-50°F for optimal cold dish storage.
- **Stainless-Steel Basin:** High-grade, durable, and easy-to-maintain basin.
- **Easy Mobility:** Four heavy-duty casters (two locking) for smooth movement and stability.
- **Ample Shelf Space:** Two spacious shelves below counter for extra storage.
- **Quiet Operation:** Low 57 dB noise level for a pleasant dining experience.
- **1-Year Warranty:** Covers parts and labor for reliable support.



### CLOSE UP IMAGES



# TECHNICAL SPECS

## Dimensions

Length	58.7
Width	30.1
Height	34.41
Weightlbs	271.1
Minimum Back Air Clearance In	8
Minimum Side Air Clearance In	Not Required

## Capacity

Maximum Depth Of Pans	6
Pan Capacity	4 Full Size

## Features & Materials

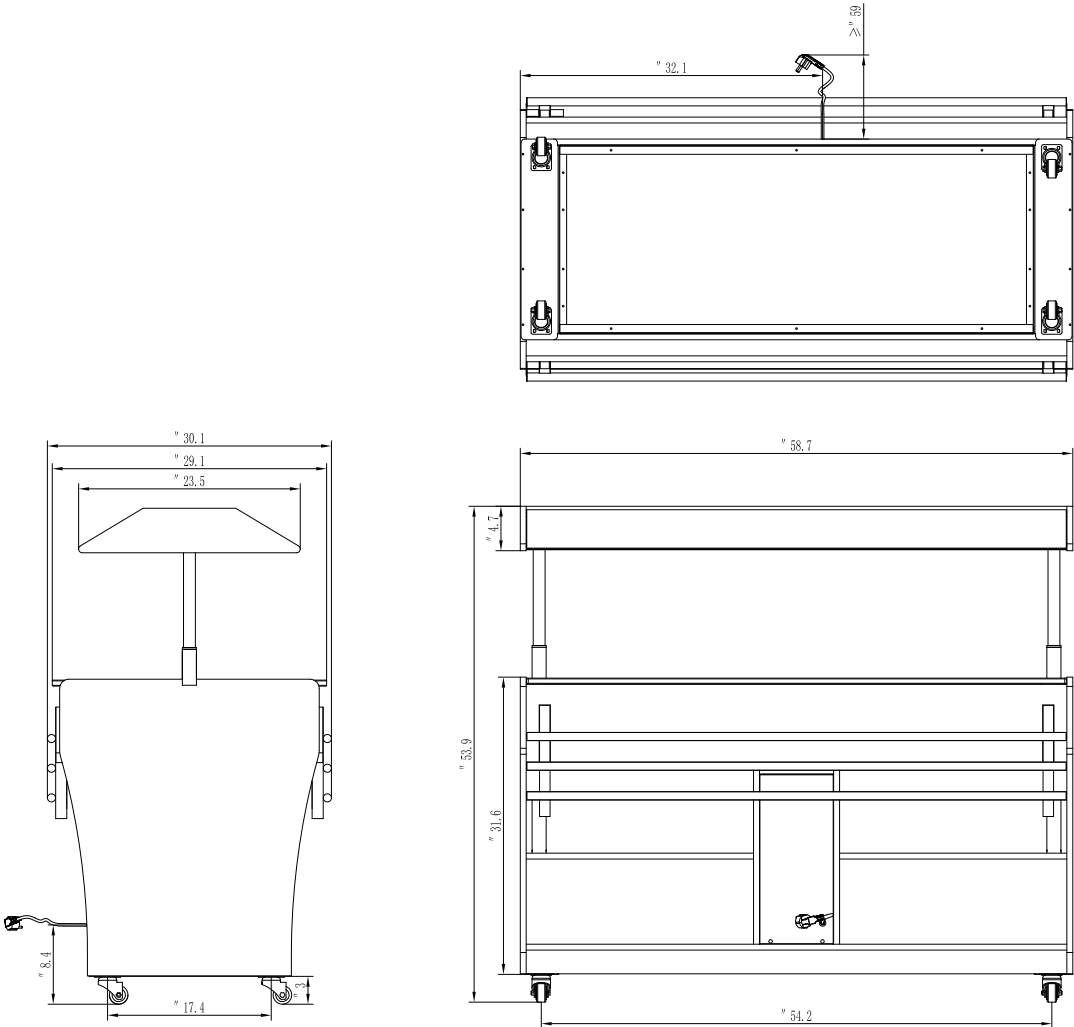
Defrost Type	Manual
Refrigerant Type	R-290
Compressor Brand	Embraco (EM2X3113U)
Compressor Location	Bottom of the Right Side
Cooling Unit Type	Static
Temperature Range	35.6-50 F
Ambient Temperature Range	60-86 F
Temperature Control Type	Digital
Digital Temperature Control	Yes
Noise	57 db
Exterior Material	Polished Plywood/Granite
Color Finish	Walnut
Adjustable Pan Dividers	Yes
Feature One	Elegant wood and granite finish for beautiful prod
Feature Two	Casters for easy mobility
Feature Three	Basin made of Stainless-Steel
Feature Four	Pull out Buffet Rail
Feature Five	Adjustable sneeze guard can be used to cover
Feature Six	4 Casters- 2 Locking

## Electric Info

Horsepower	0.17
Voltage	120
Wattage	200
Amps	1.5
Hertz	60
Phase	1
Plug Type	NEMA 5-15P
Power Cord Length	59

# Plan View

RTS-



706 Eastern Parkway STE 1G, Brooklyn NY 11213  
718-576-6342  
info@koolmore.com