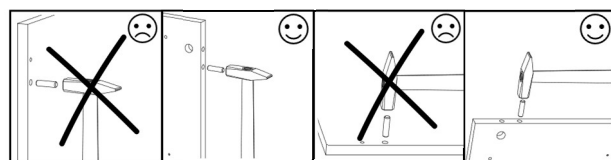
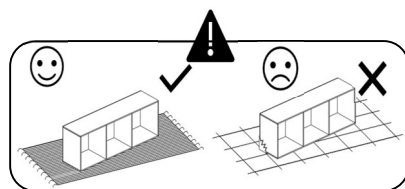
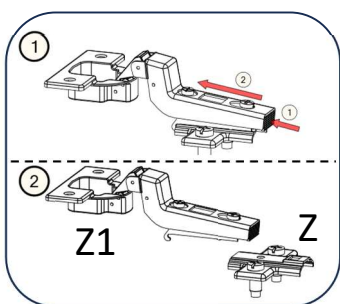
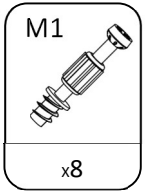
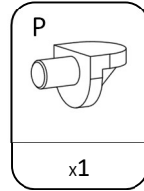
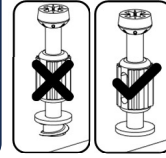
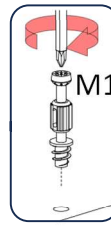
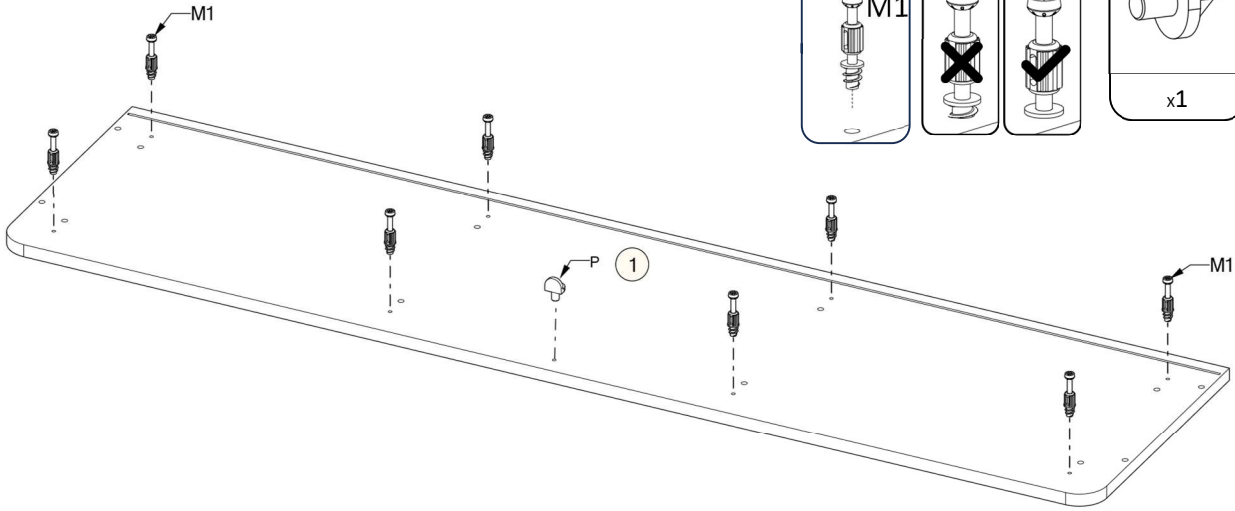


No	T(mm)	L(mm)	W(mm)	pcs.
1	18	1598	400	1
2	18	1598	400	1
3	16	300	333	2
4	66	300	66	2
5	16	300	355	1
6	16	300	355	1
7	16	300	355	1
8	16	300	355	1
9	18	486	292	2
10	18	480	292	1
11	3	1496	309	1

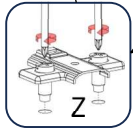
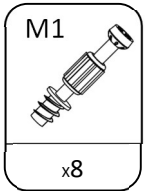
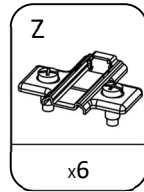
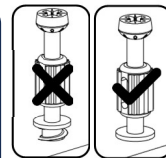
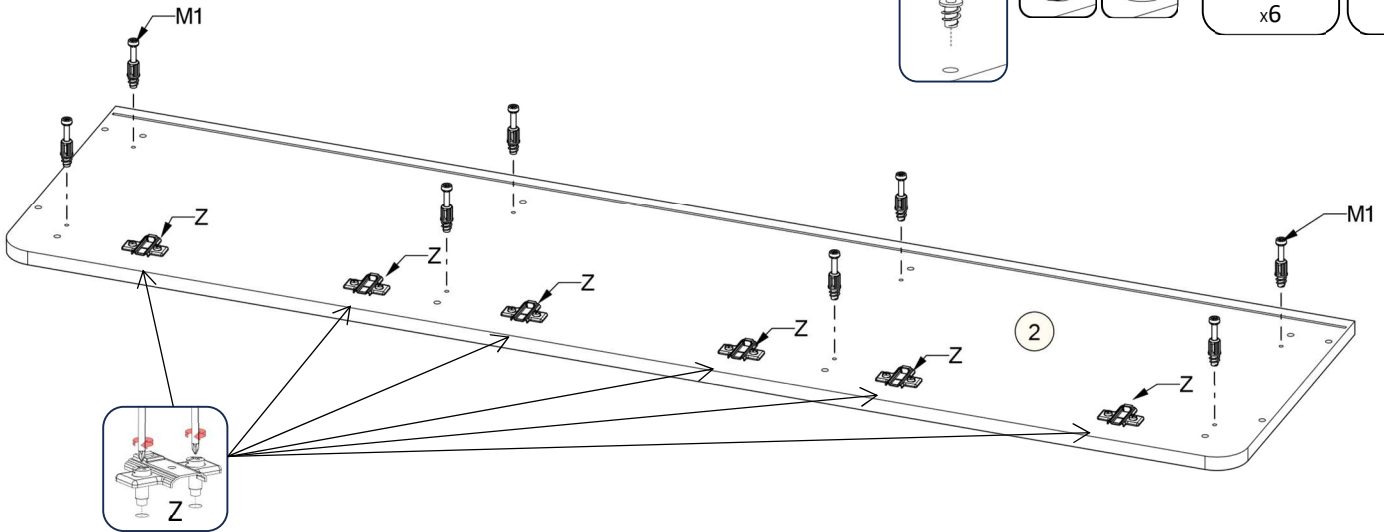


<p>K 8x30 x28</p>	<p>M1 x20</p>	<p>ZM x20</p>	<p>E2 6,3x13 x24</p>	<p>R x3</p>	<p>N x6</p>	<p>Z1 x6</p>	<p>Z x6</p>	<p>U x3</p>	<p>D5 3x13 x6</p>
<p>M x20</p>	<p>P x1</p>	<p>D4 4x16 x12</p>	<p>S x12</p>	<p>G 2x20 x12</p>					

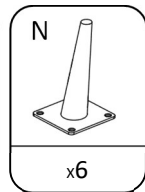
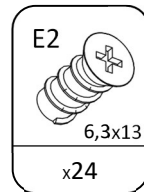
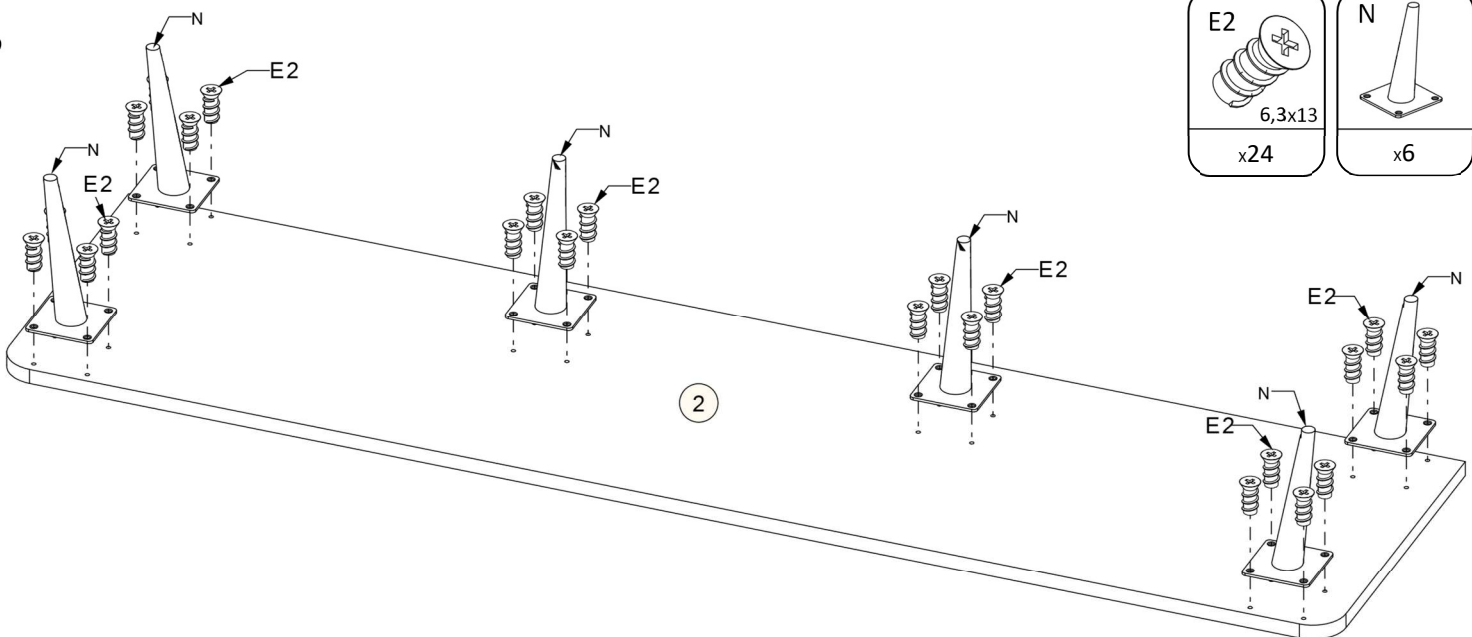
1



2

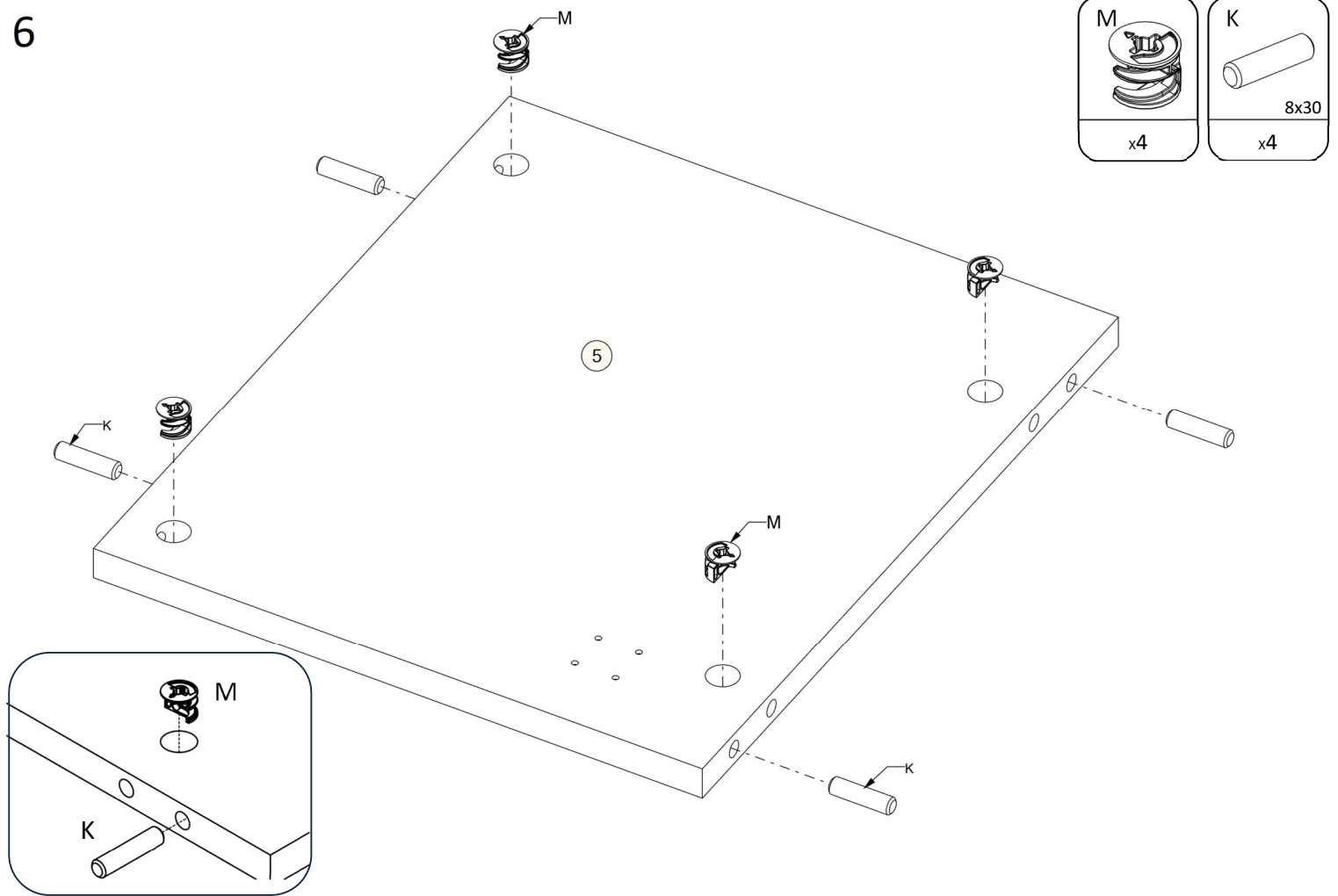


3

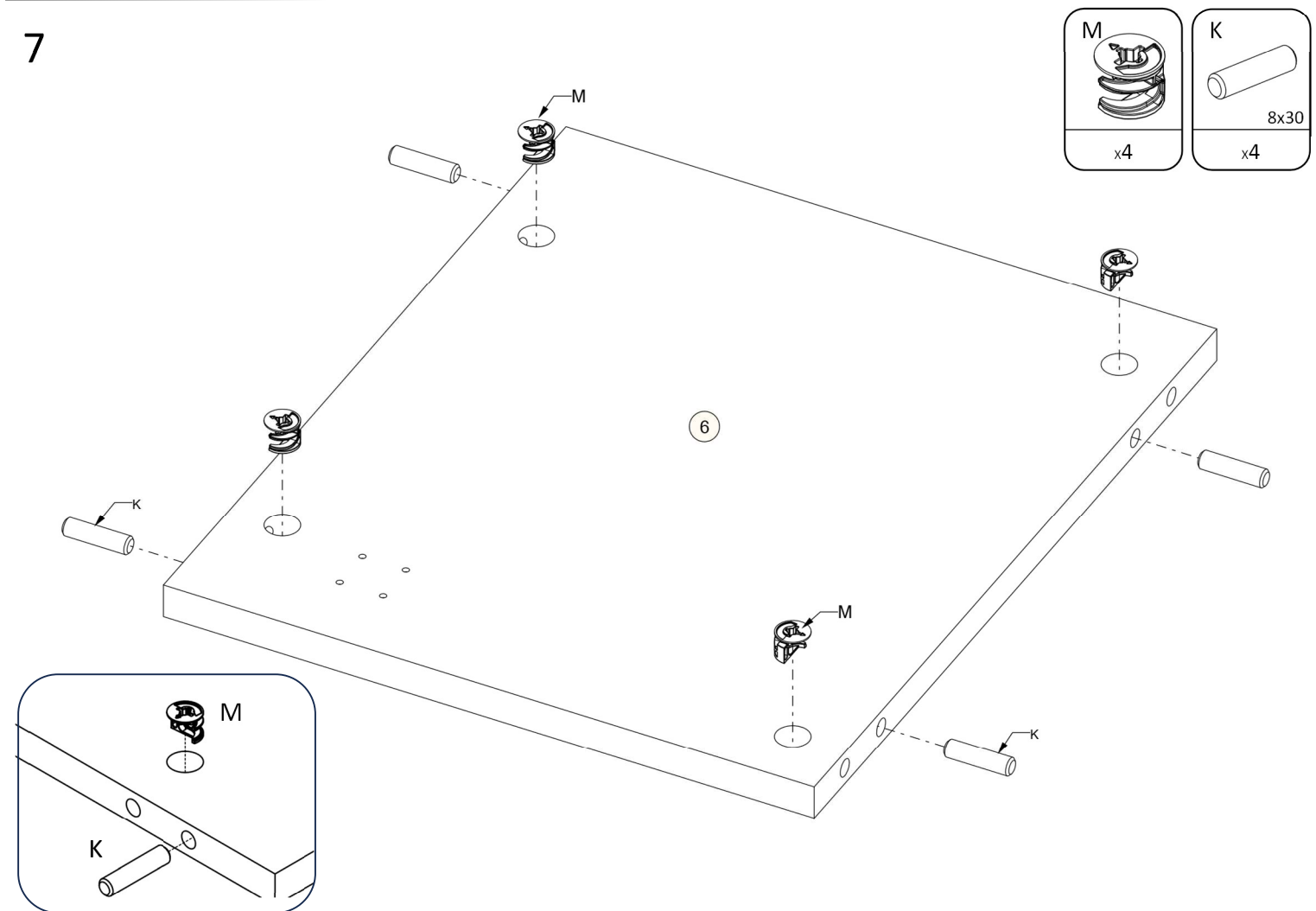





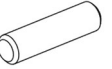
6

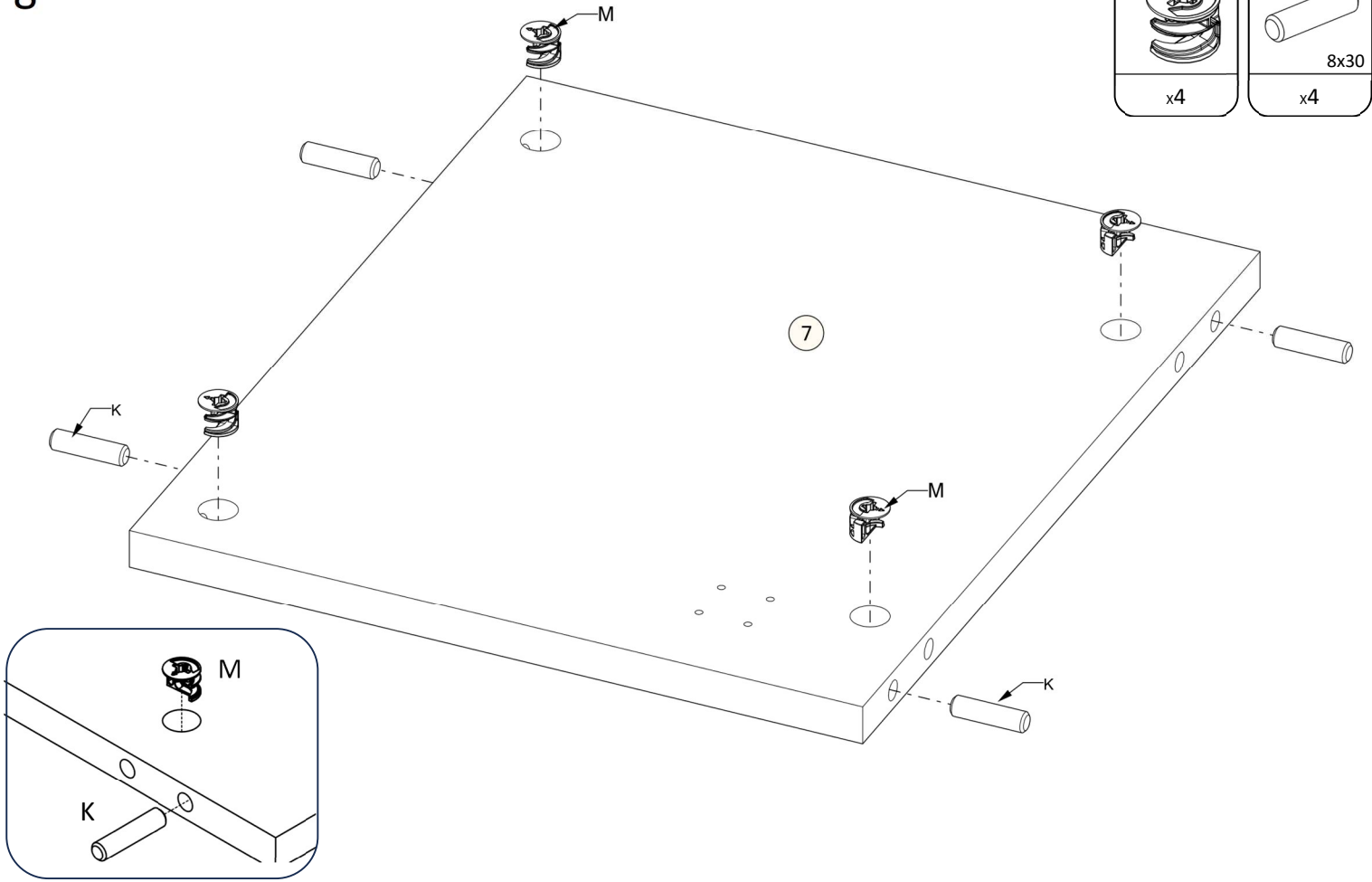


7





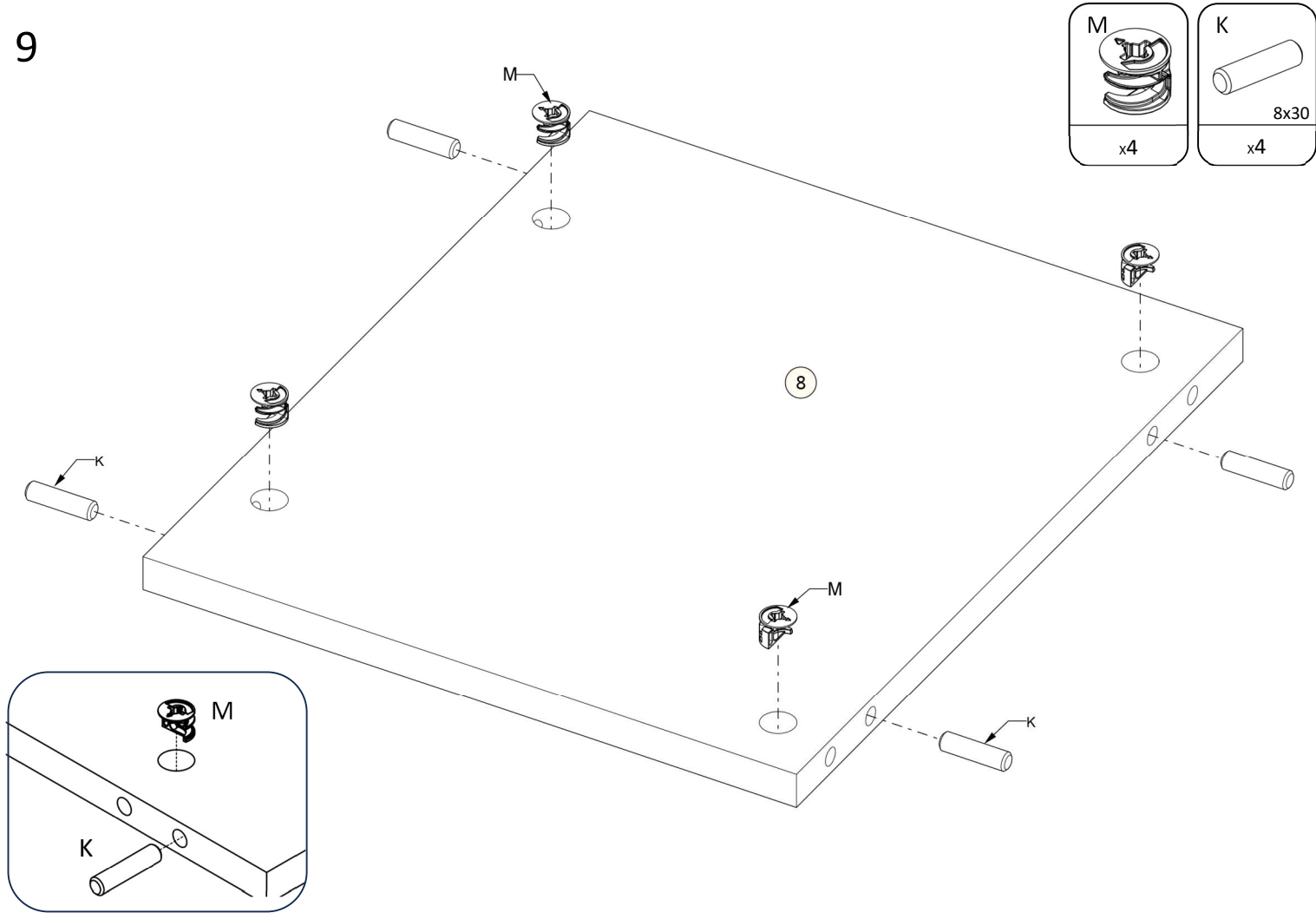
8

M	K
	
x4	8x30 x4

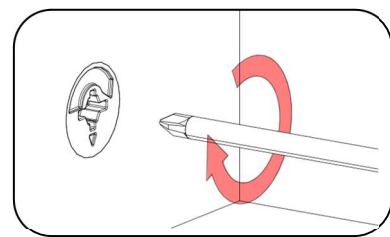
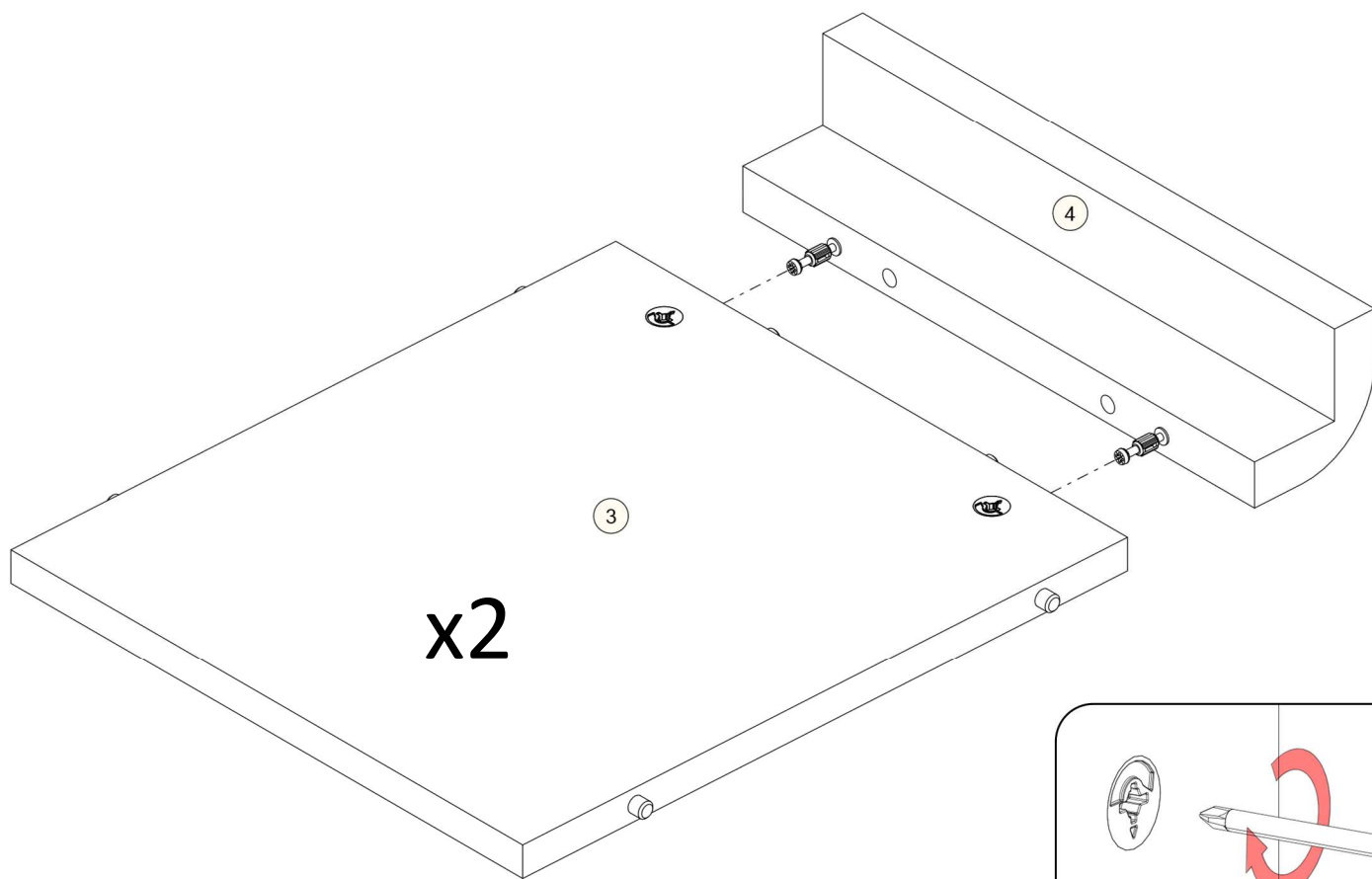


9

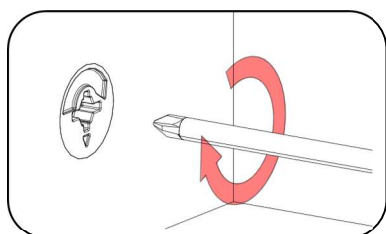
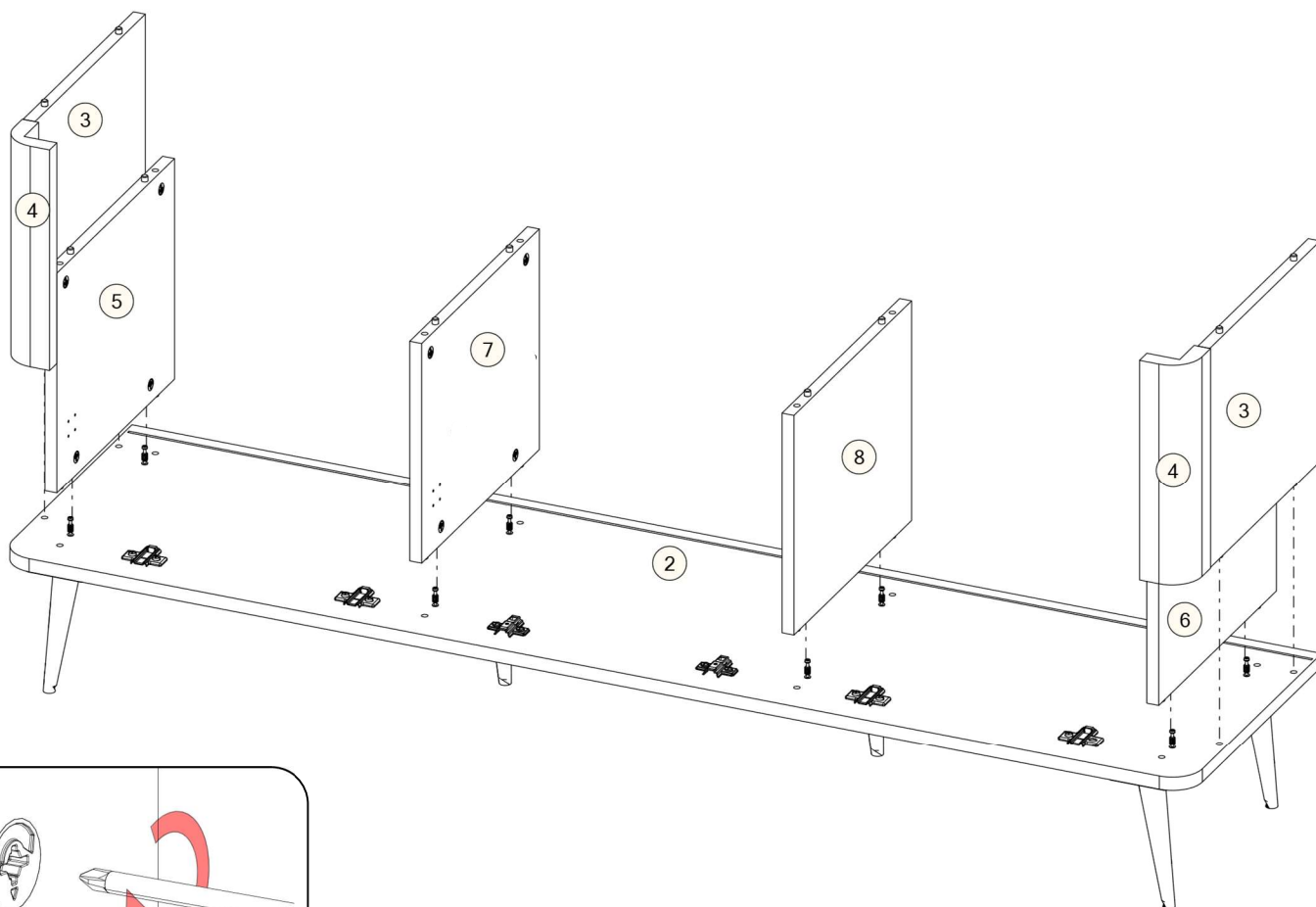
M	K
	
x4	8x30 x4



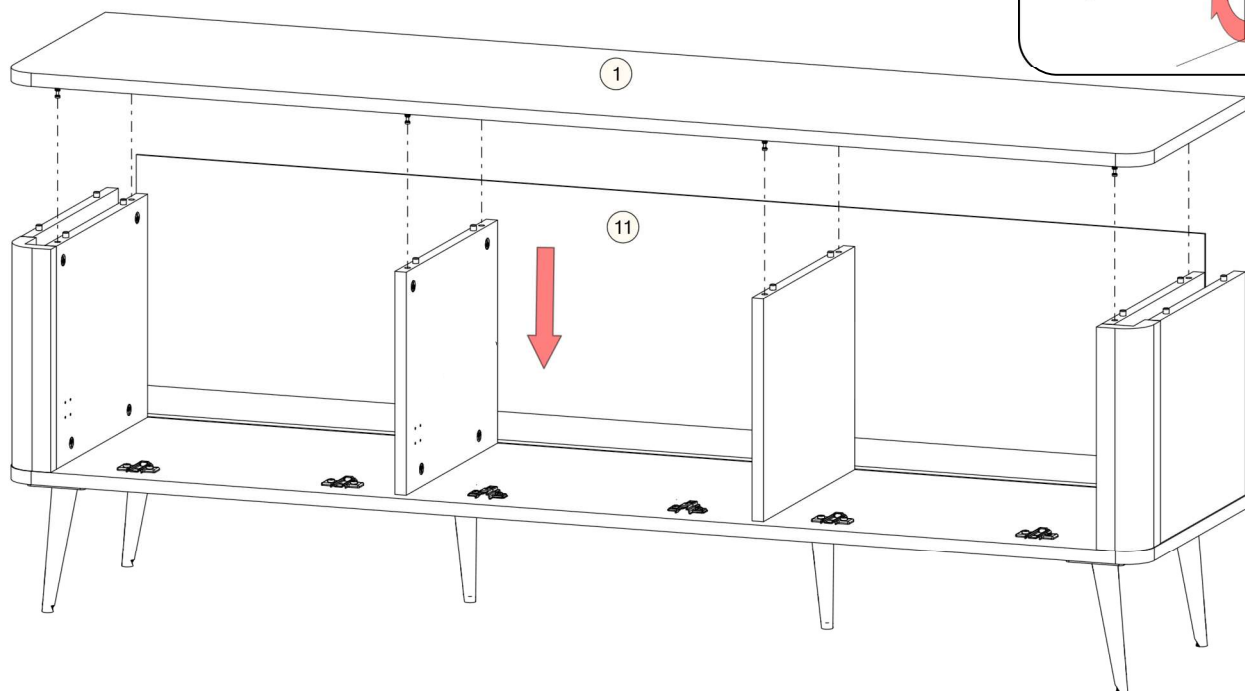
10



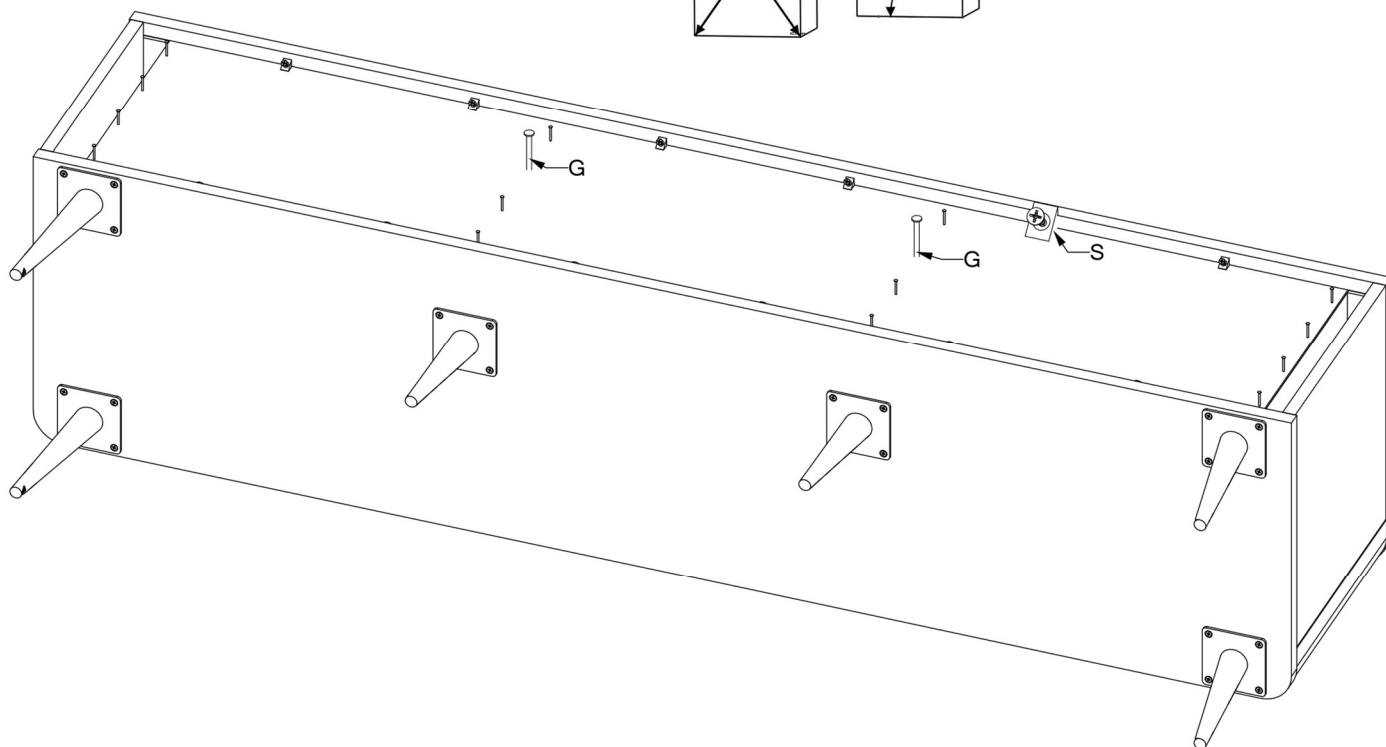
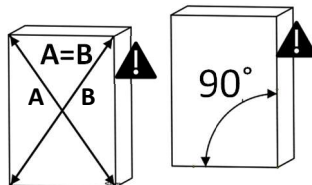
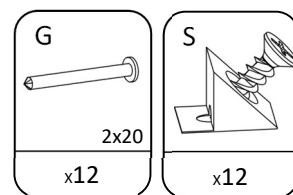
11



12

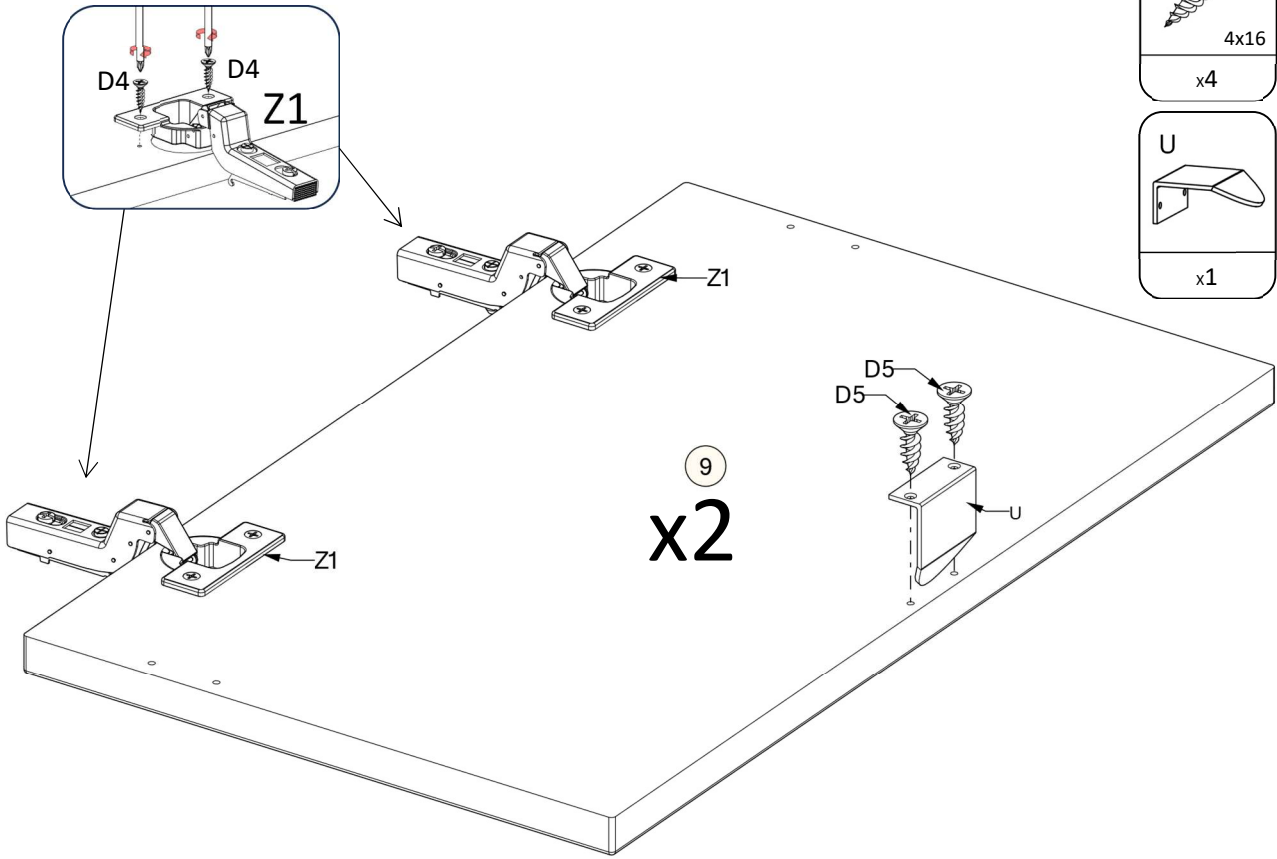


13



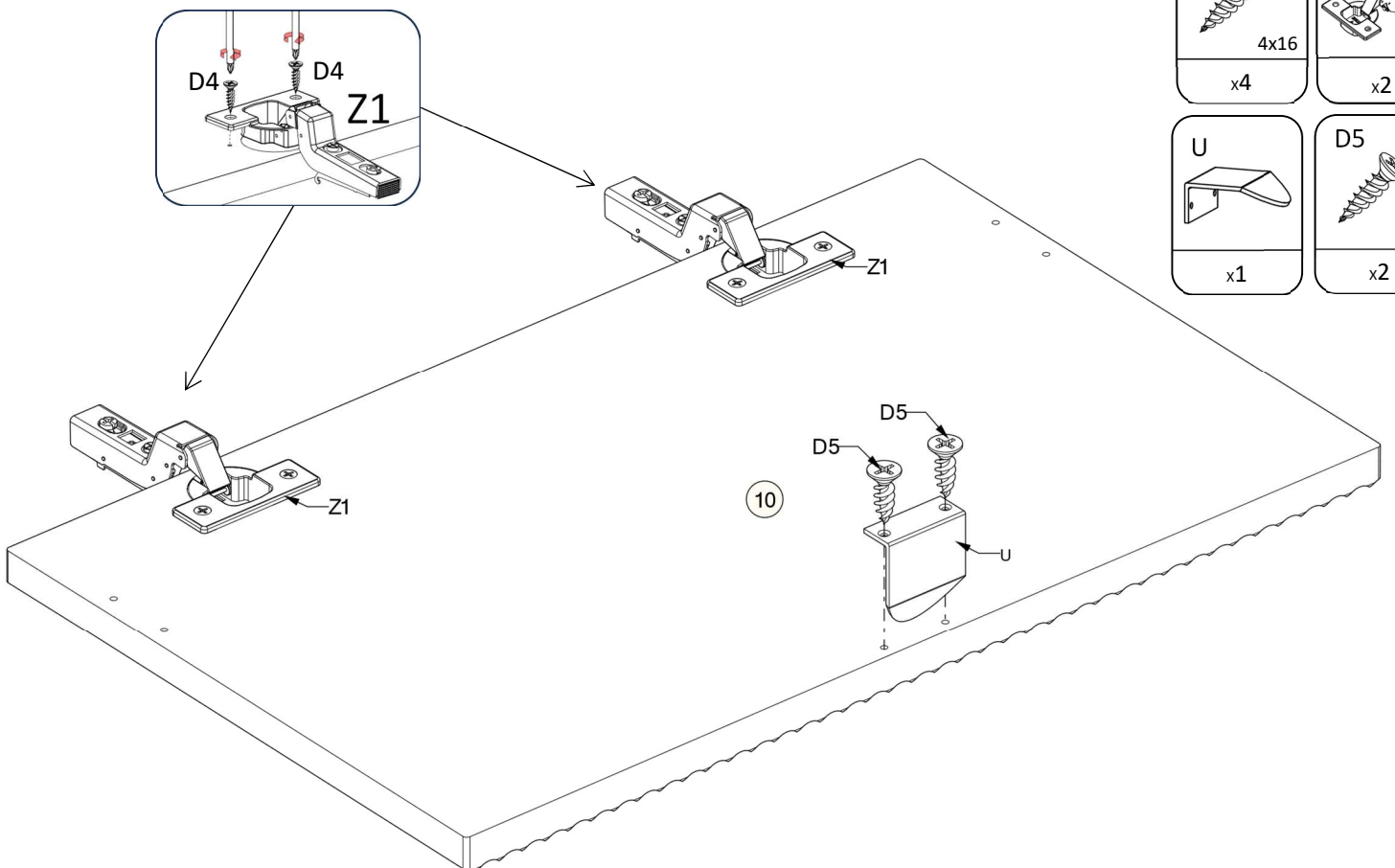
14

D4 4x16 x4	Z1 x2
U x1	D5 3x13 x2

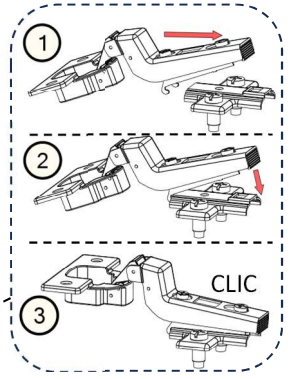
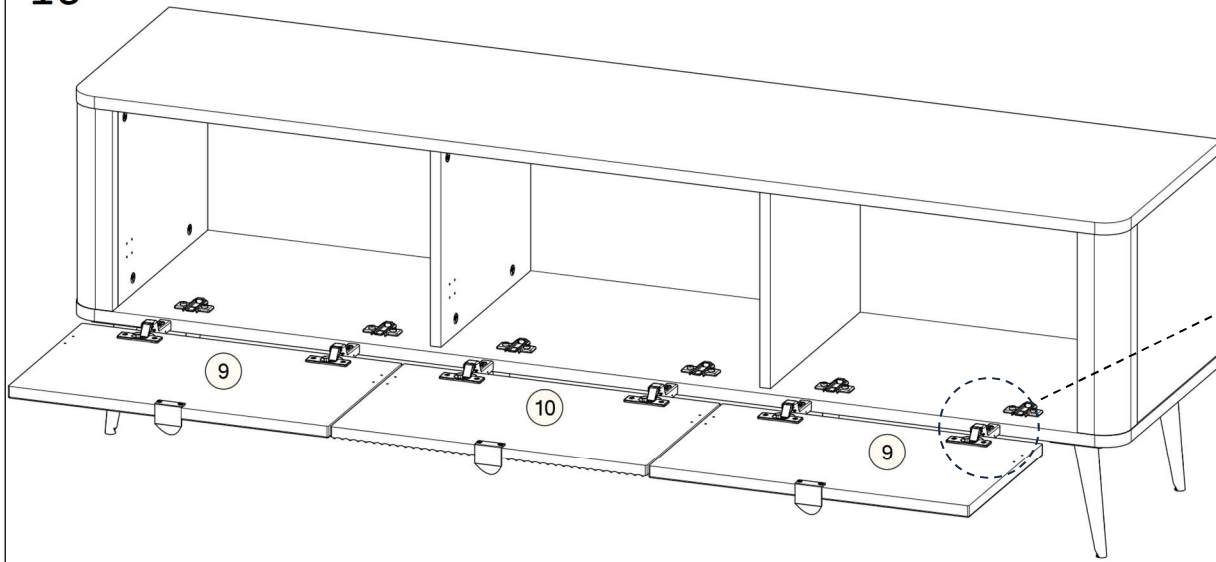


15

D4 4x16 x4	Z1 x2
U x1	D5 3x13 x2



16



17

