

If there are any missing parts, damaged packaging or broken panels,  
please contact our service email for assistance:

[furni-service@outlook.com](mailto:furni-service@outlook.com)

# CONTACT US!

## Do Not return this product

If you encounter any missing parts, damaged packaging, or broken panels, please contact our customer service team for assistance:

①



Email:

[furni-service@outlook.com](mailto:furni-service@outlook.com)

②



Amazon Message

③



Call or Message:

+1 (909) 960-3666

④

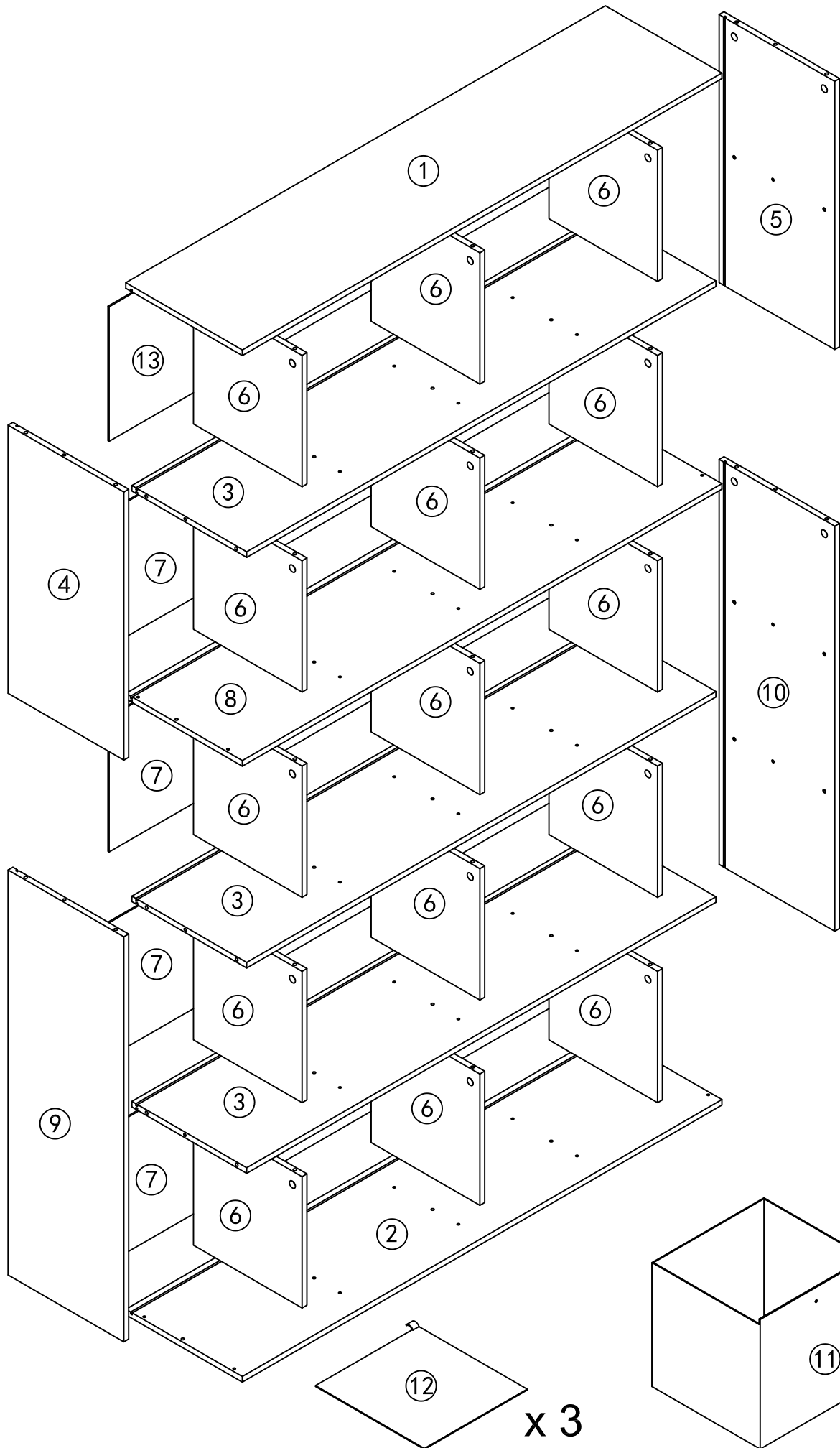


WhatsApp

## For faster resolution:

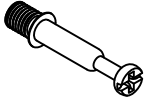

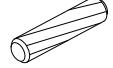


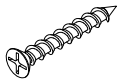
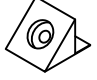

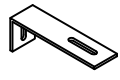
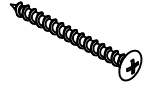



① Include your **order number** ② Attach **clear photos** of the issue

We appreciate your patience and cooperation, and we'll do our best to resolve your concern promptly. Thank you!

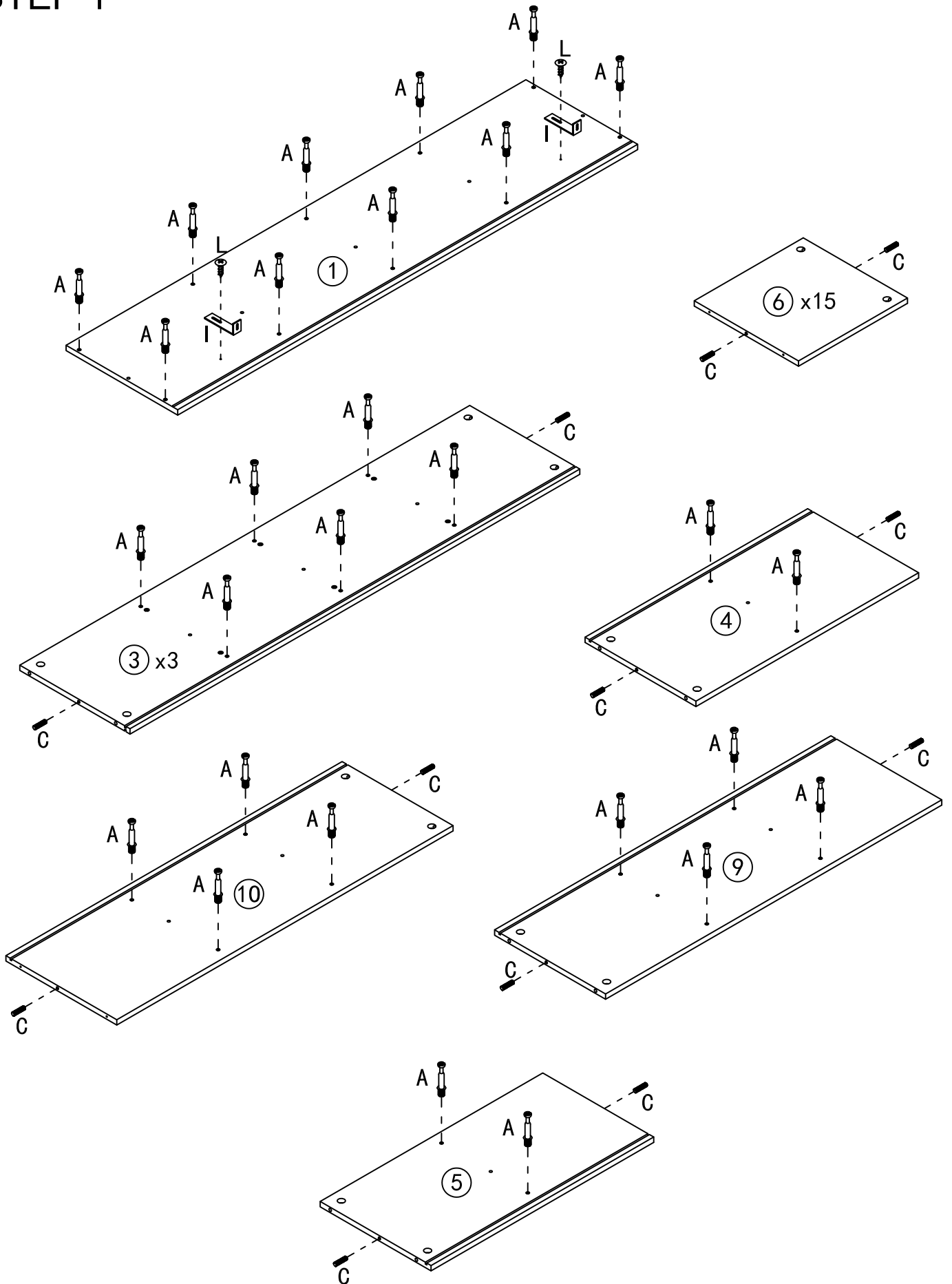



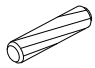


x 3

x 3

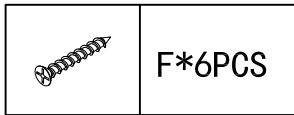
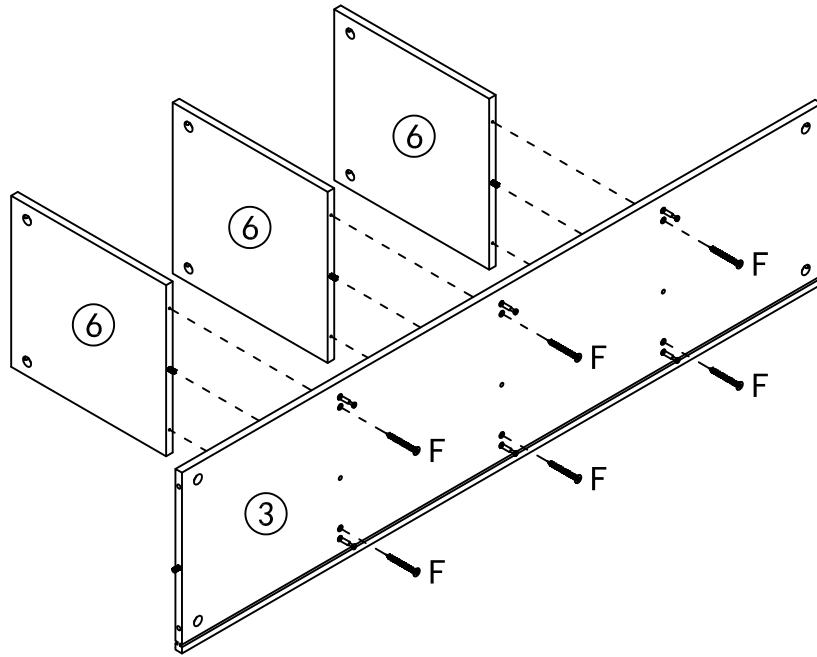
<p><b>A</b></p>  <p>50+2PCS</p>	<p><b>B</b></p>  <p>50+2PCS</p>	<p><b>C</b></p>  <p>Ø6*30MM 44+2PCS</p>	<p><b>D</b></p>  <p>M4*10MM 3PCS</p>
<p><b>E</b></p>  <p>3PCS</p>	<p><b>F</b></p>  <p>M4*30MM 38+2PCS</p>	<p><b>G</b></p>  <p>40+2PCS</p>	<p><b>H</b></p>  <p>M3*16MM 40+2PCS</p>
<p><b>I</b></p>  <p>2PCS</p>	<p><b>J</b></p>  <p>Ø4*35MM 2PCS</p>	<p><b>K</b></p>  <p>2PCS</p>	<p><b>L</b></p>  <p>Ø4*12MM 2PCS</p>
<p><b>M</b></p>  <p>50+2PCS</p>			

# STEP 1

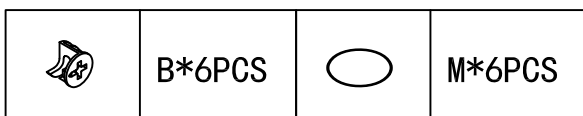
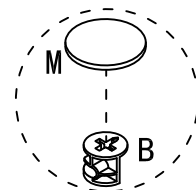
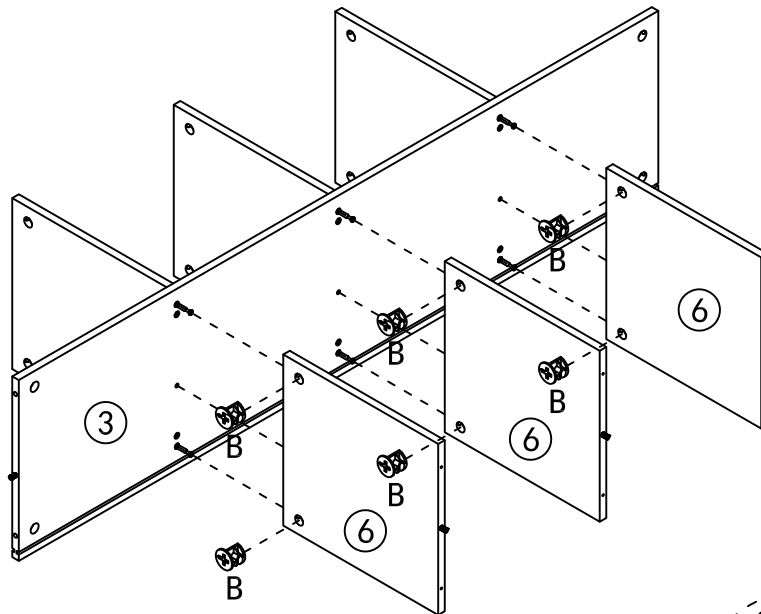


	A*40PCS		C*44PCS		L*2PCS		L*2PCS
--	---------	---	---------	---	--------	--	--------

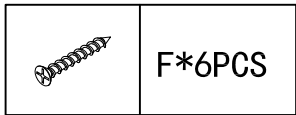
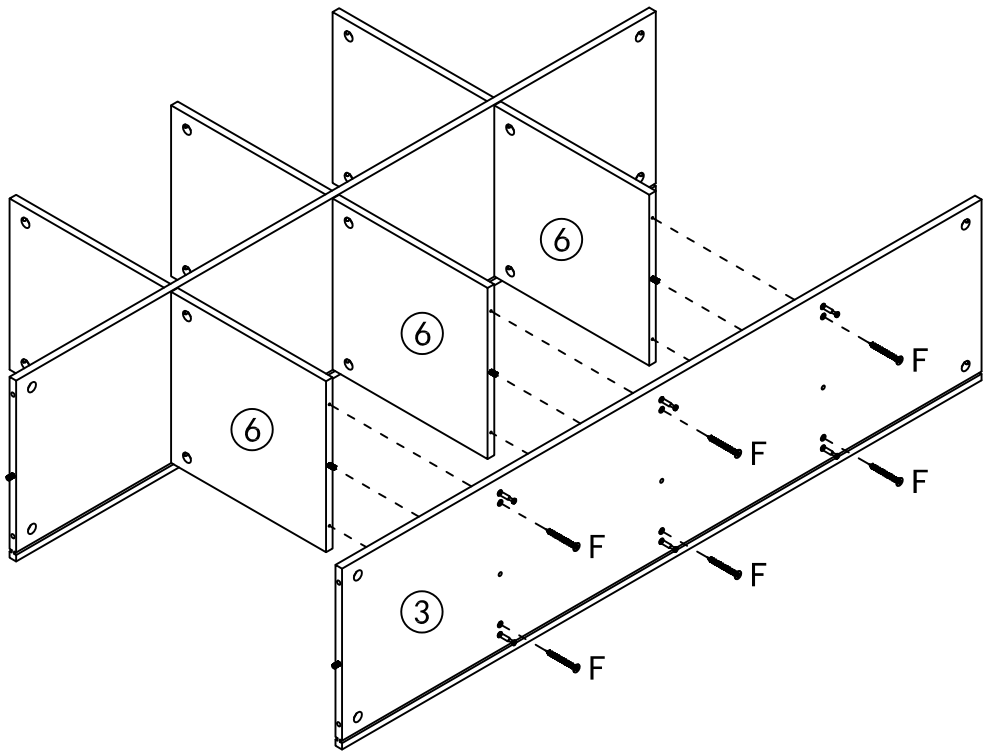
# STEP 2



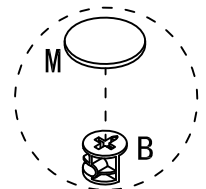
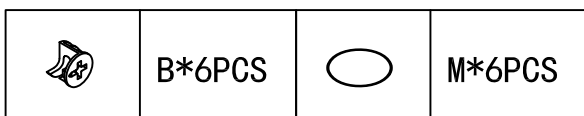
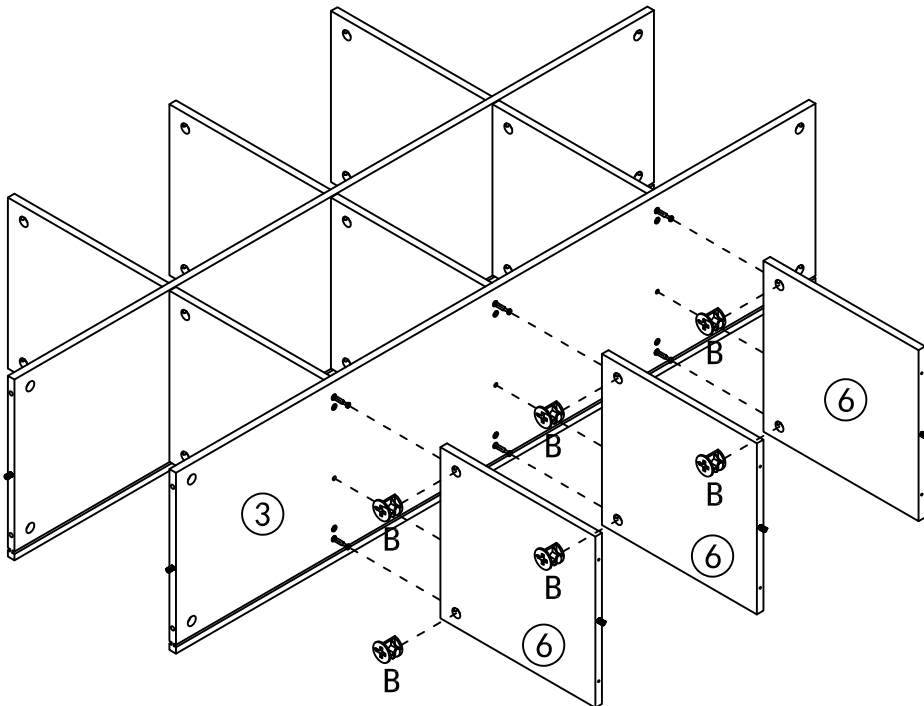
# STEP 3



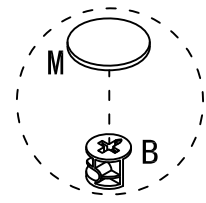
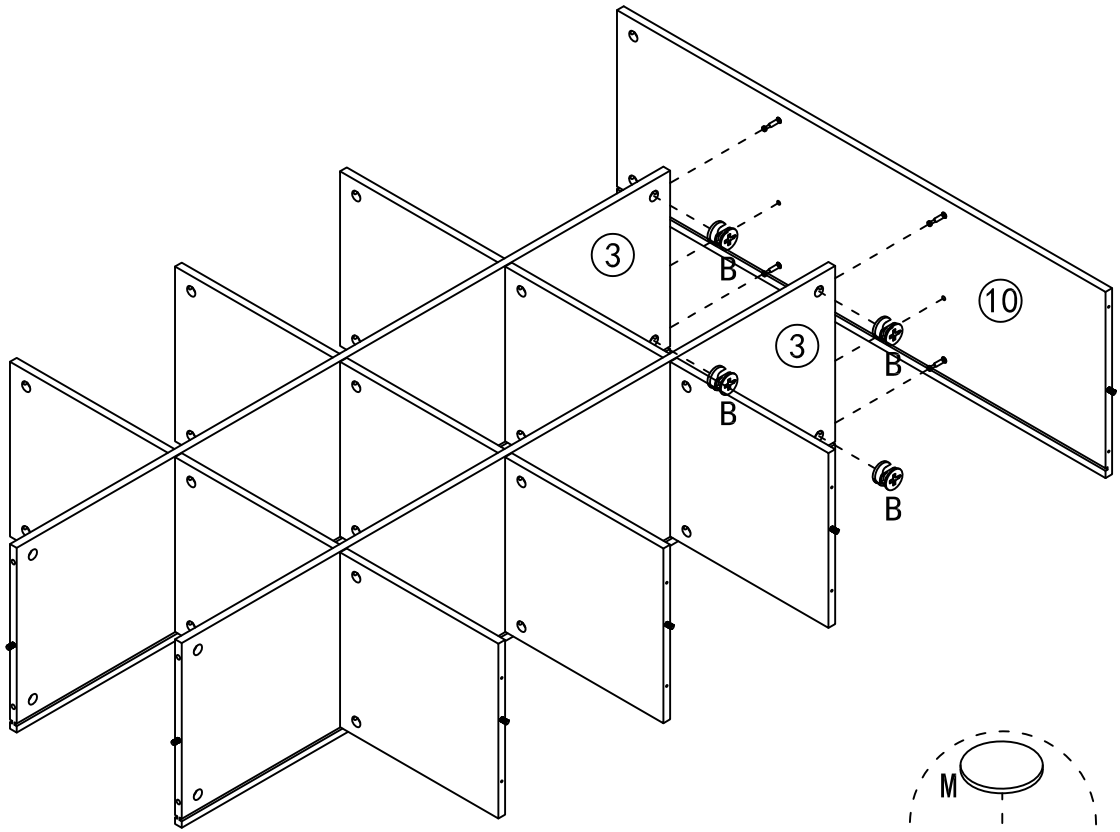
# STEP 4





# STEP 5

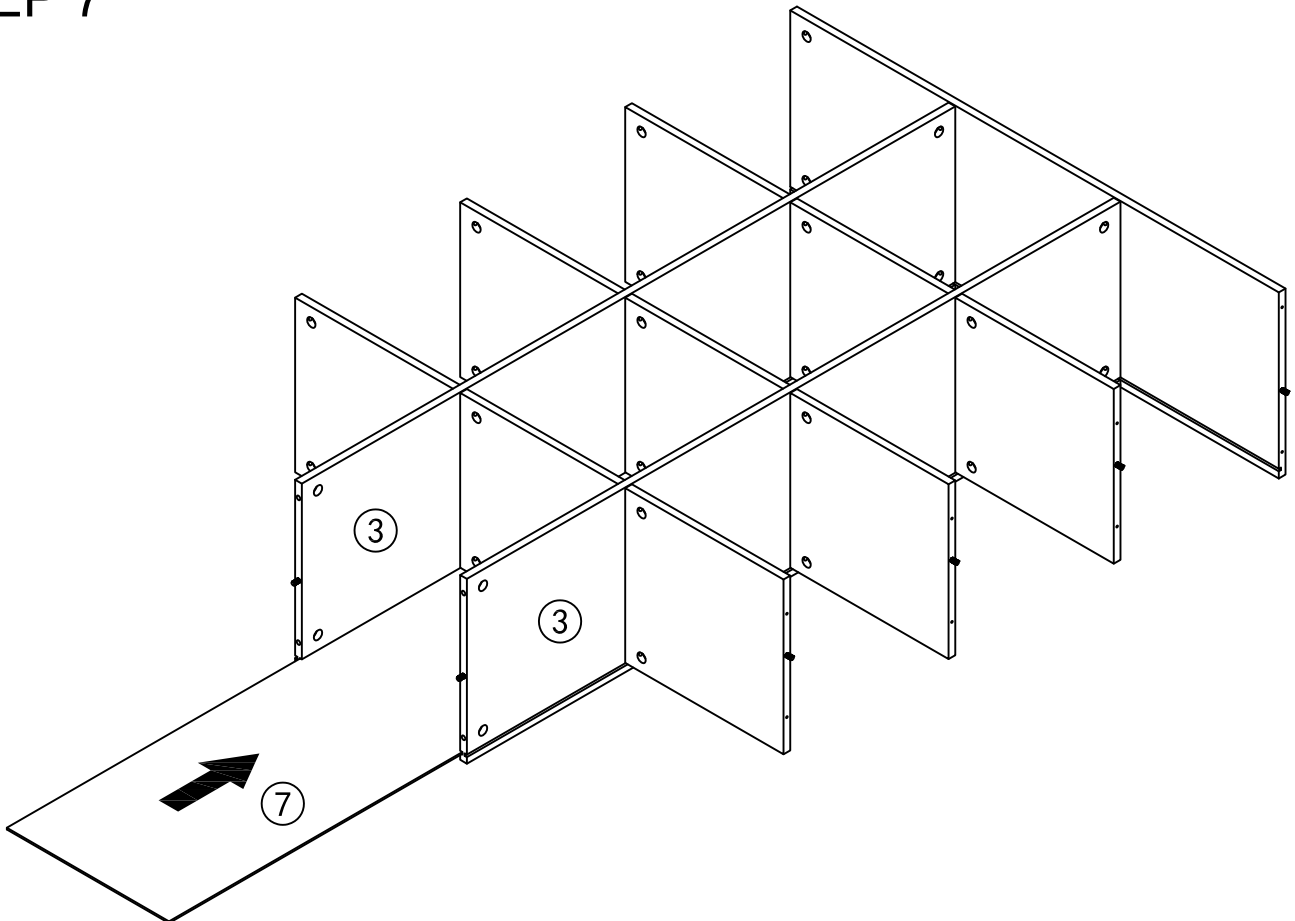


# STEP 6

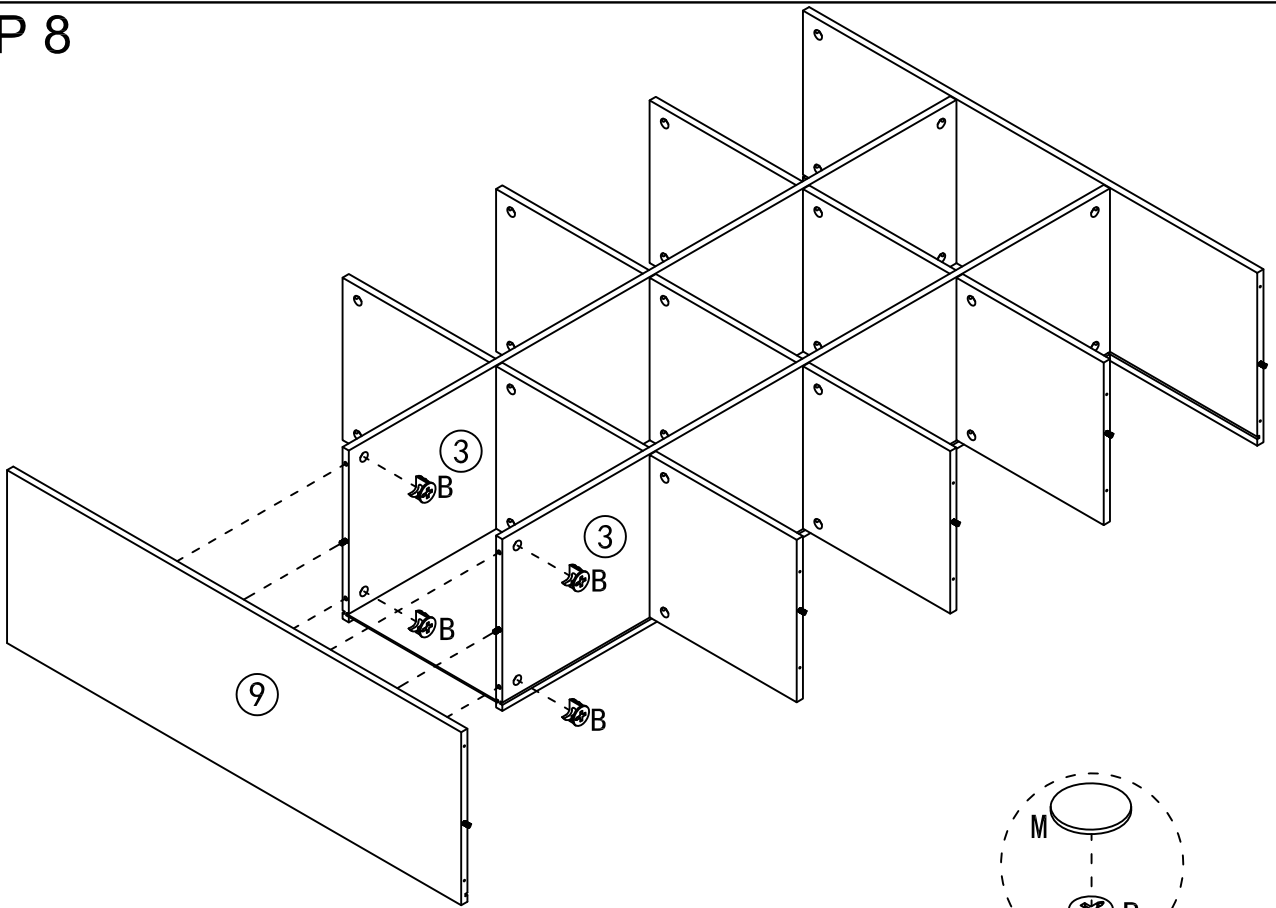




	B*4PCS		M*4PCS
---	--------	---	--------

# STEP 7

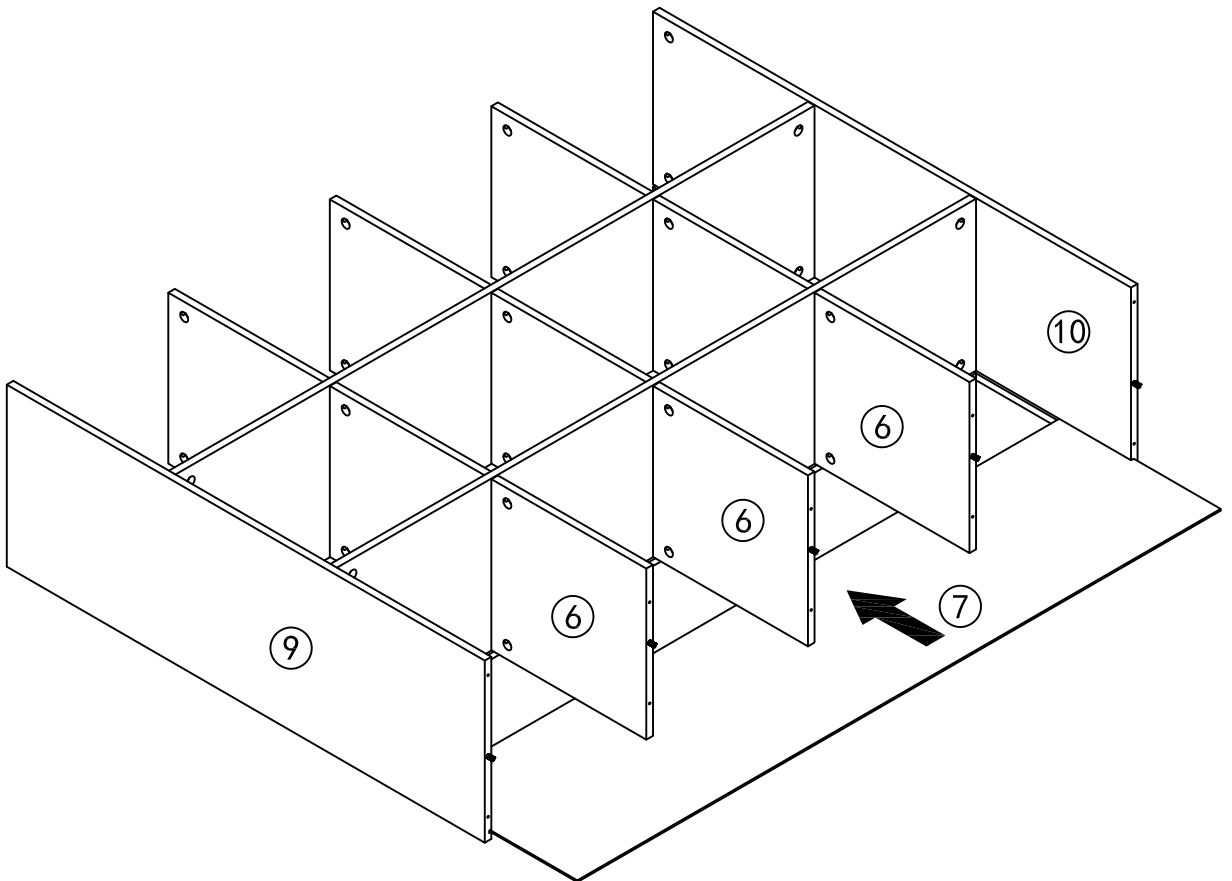


# STEP 8

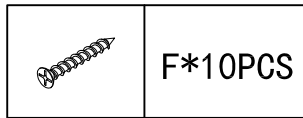
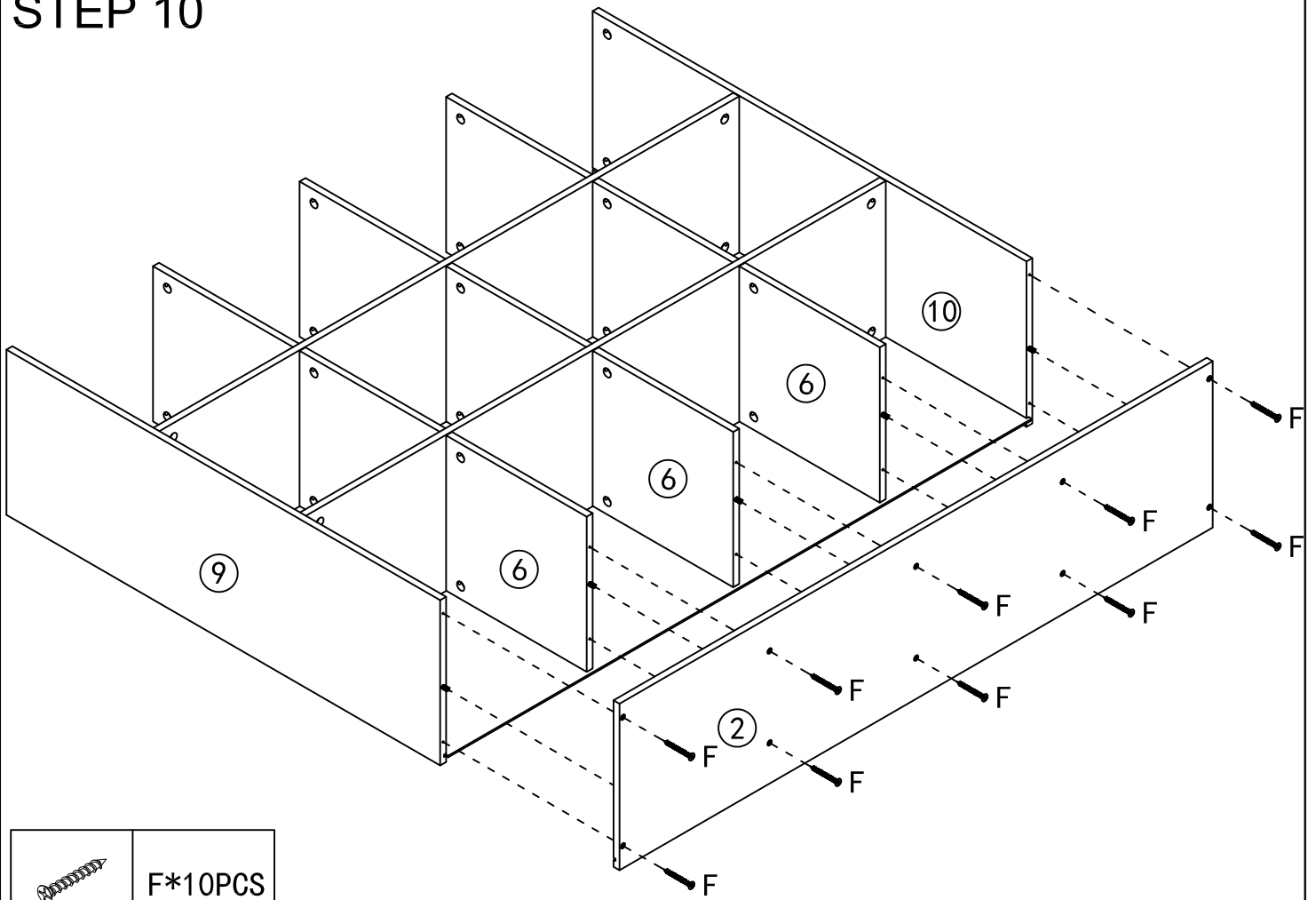


	B*4PCS		M*4PCS
---	--------	---	--------

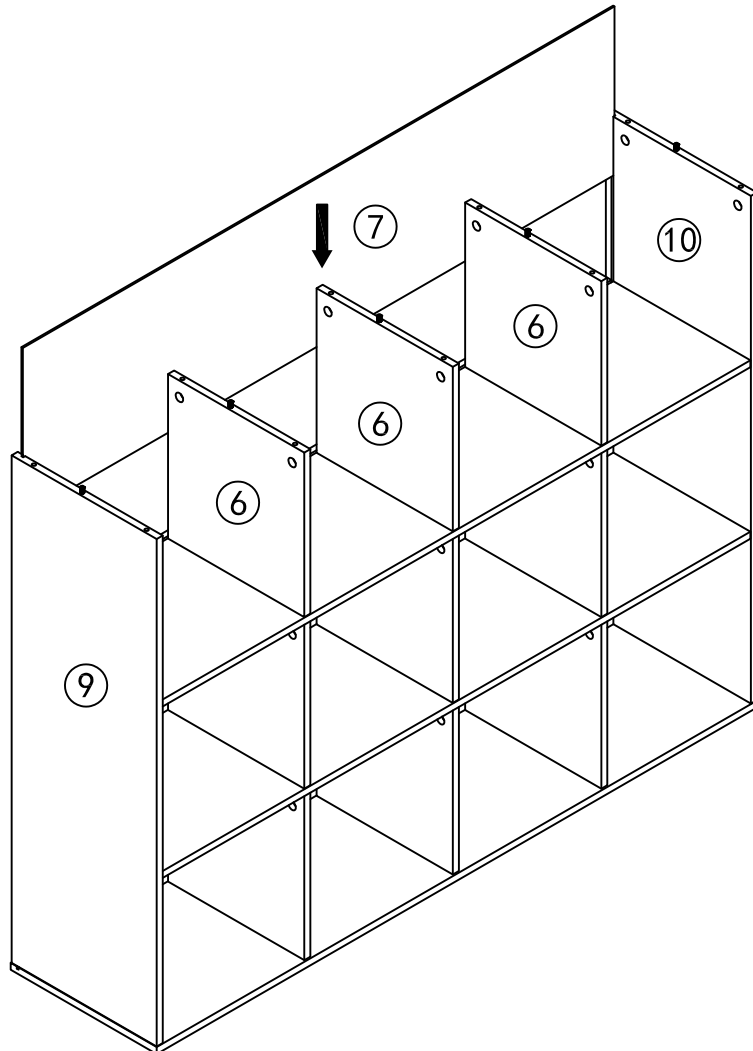
# STEP 9



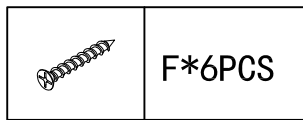
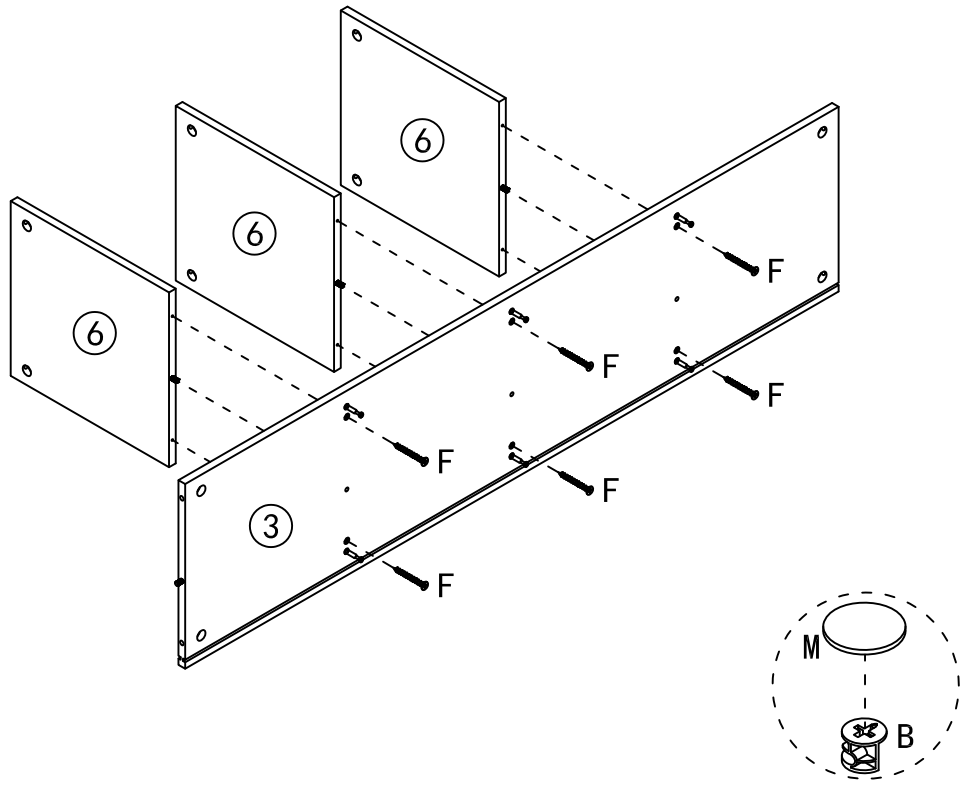
# STEP 10



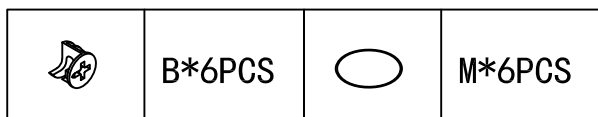
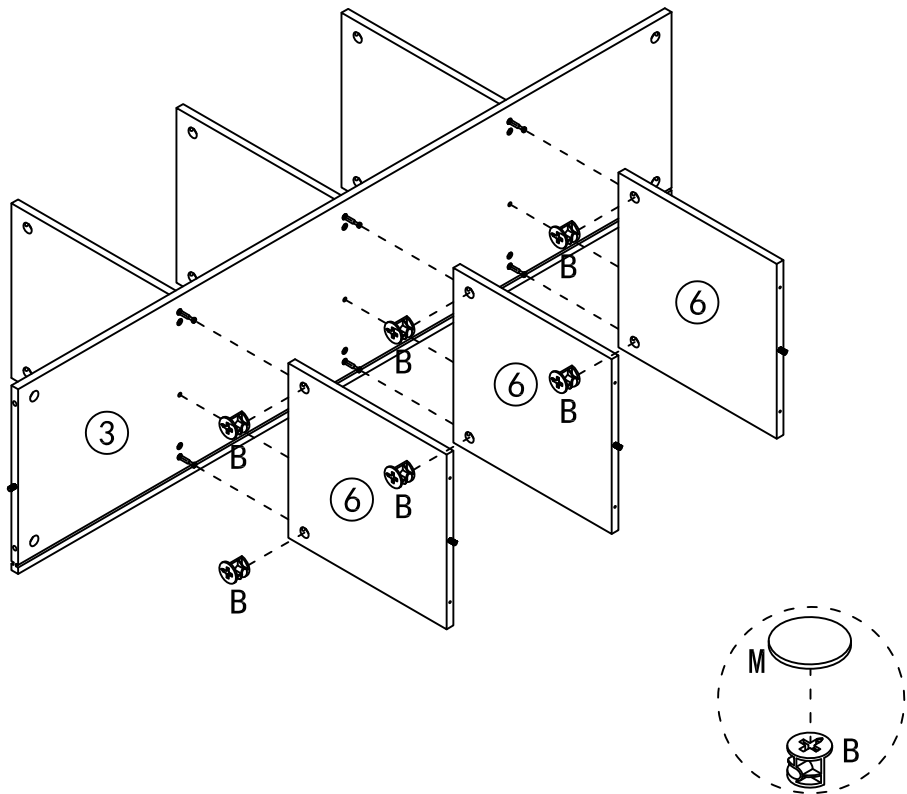
# STEP 11



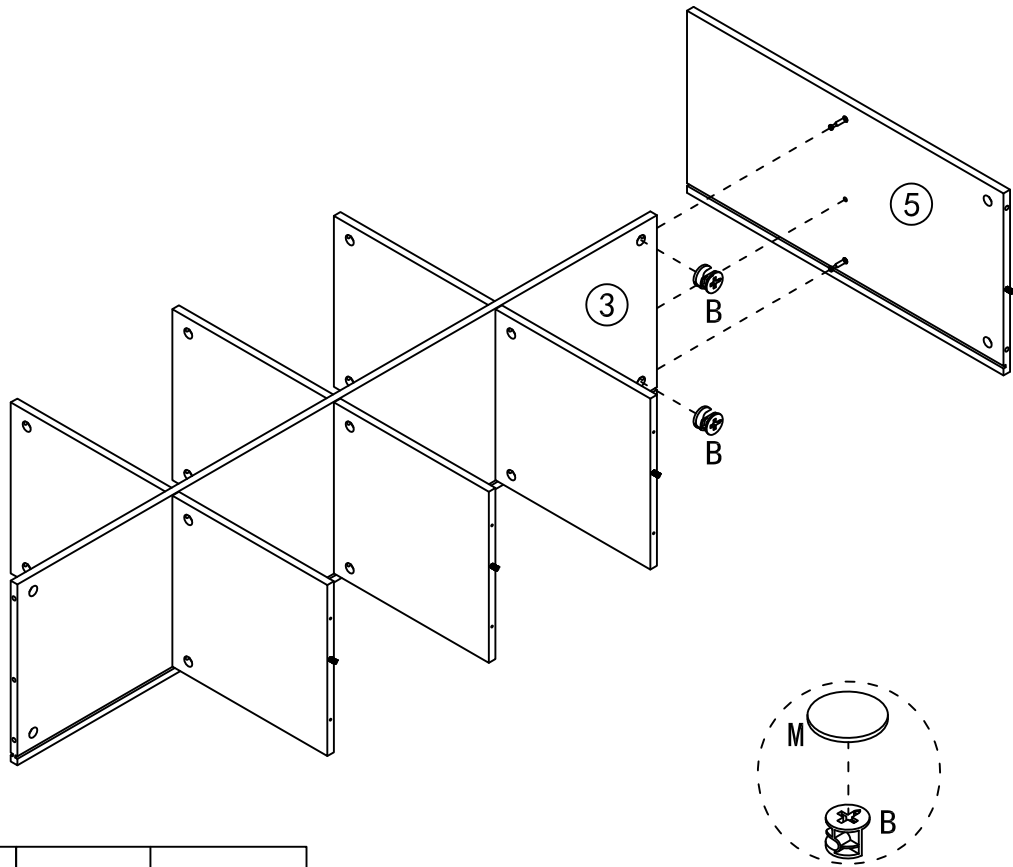
# STEP 12





# STEP 13

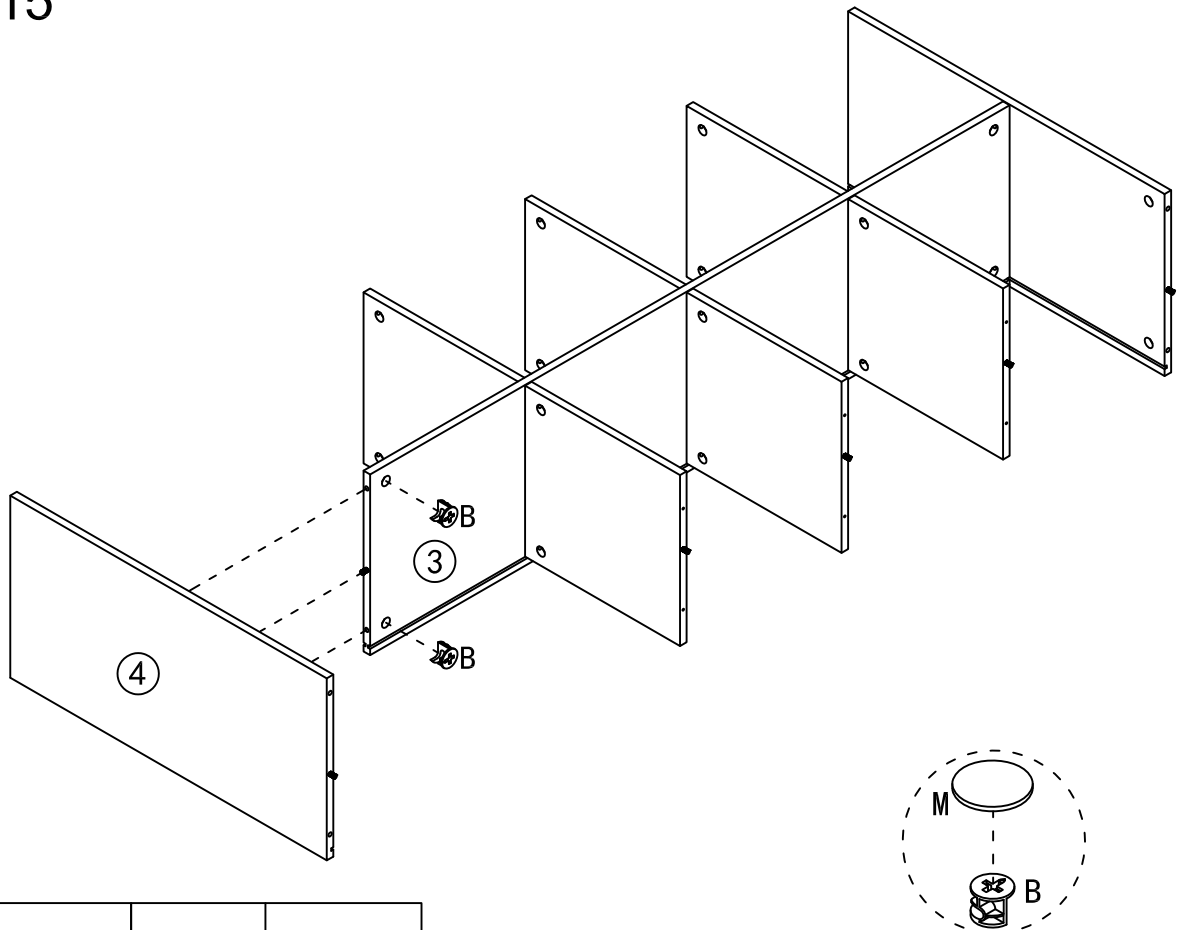




# STEP 14



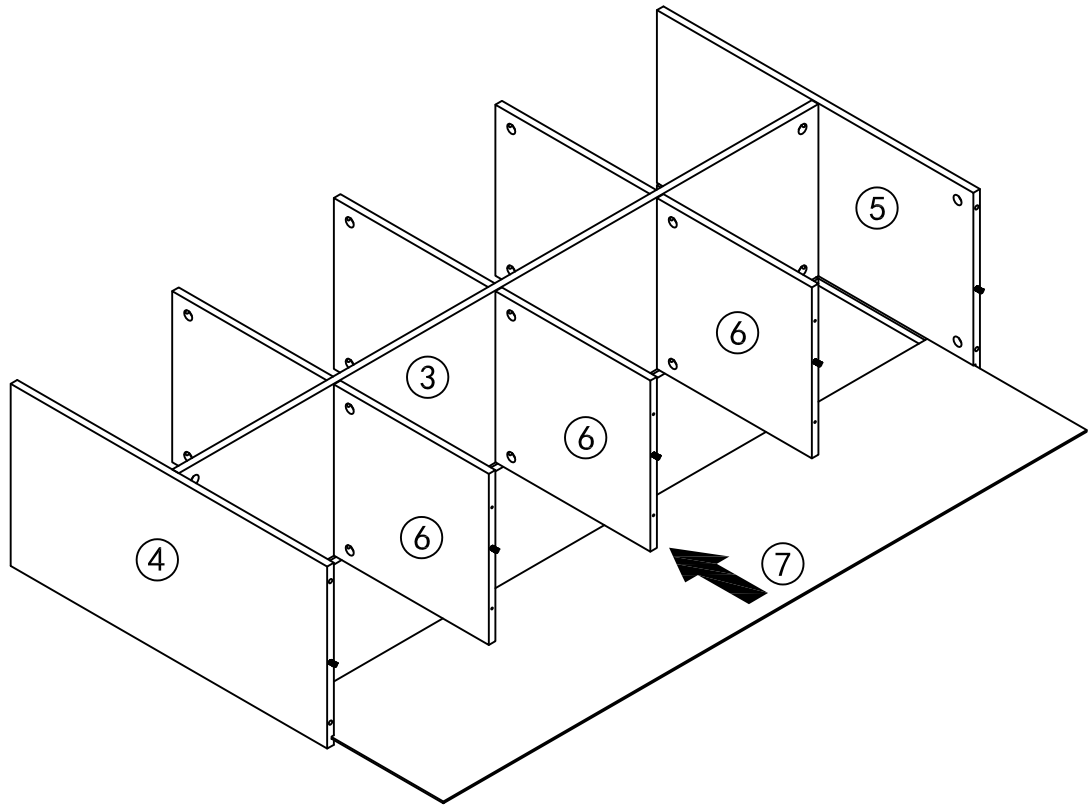
	B*2PCS		M*2PCS
---	--------	---	--------

# STEP 15

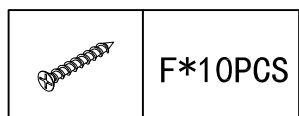
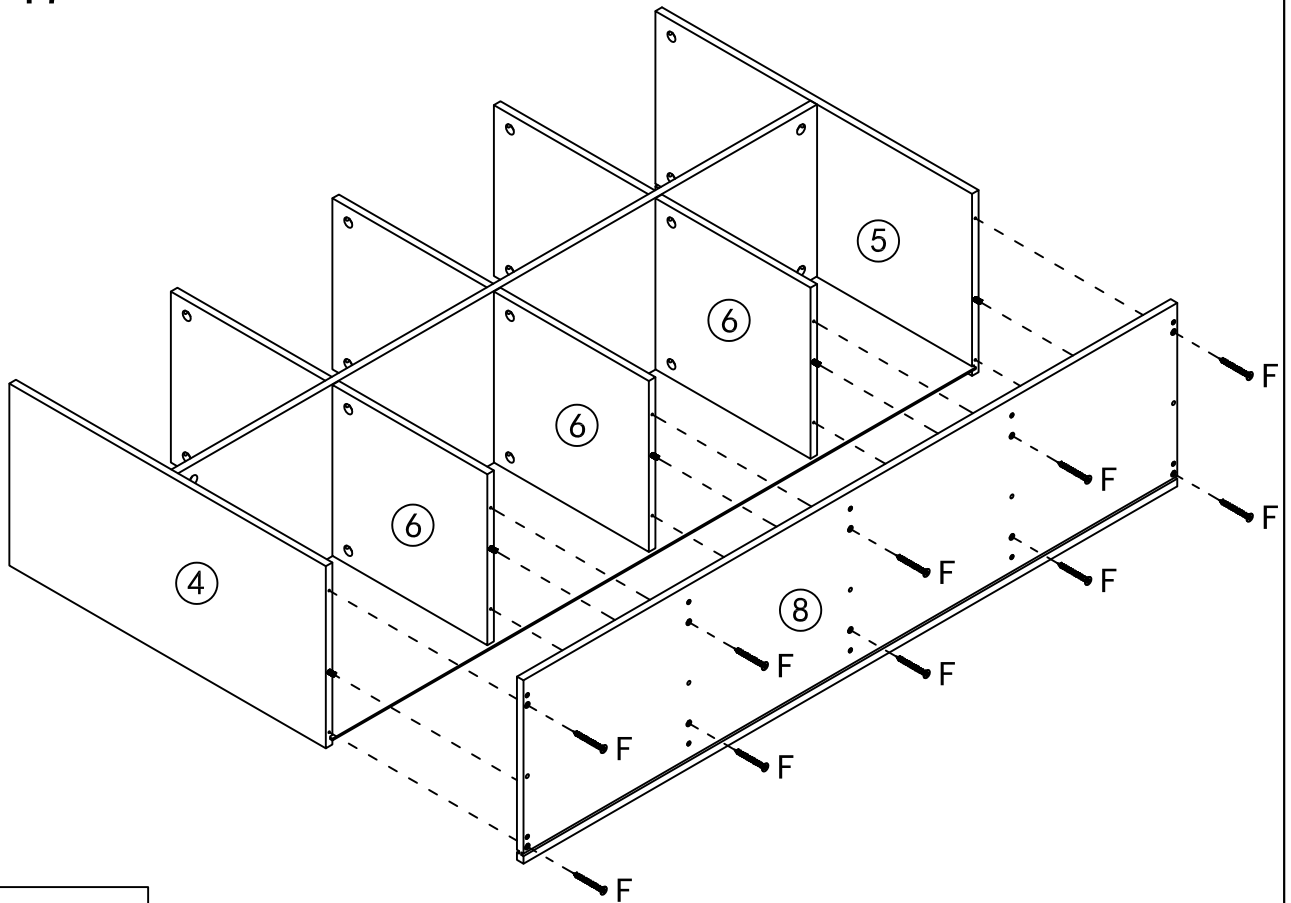


	B*2PCS		M*2PCS
---	--------	---	--------

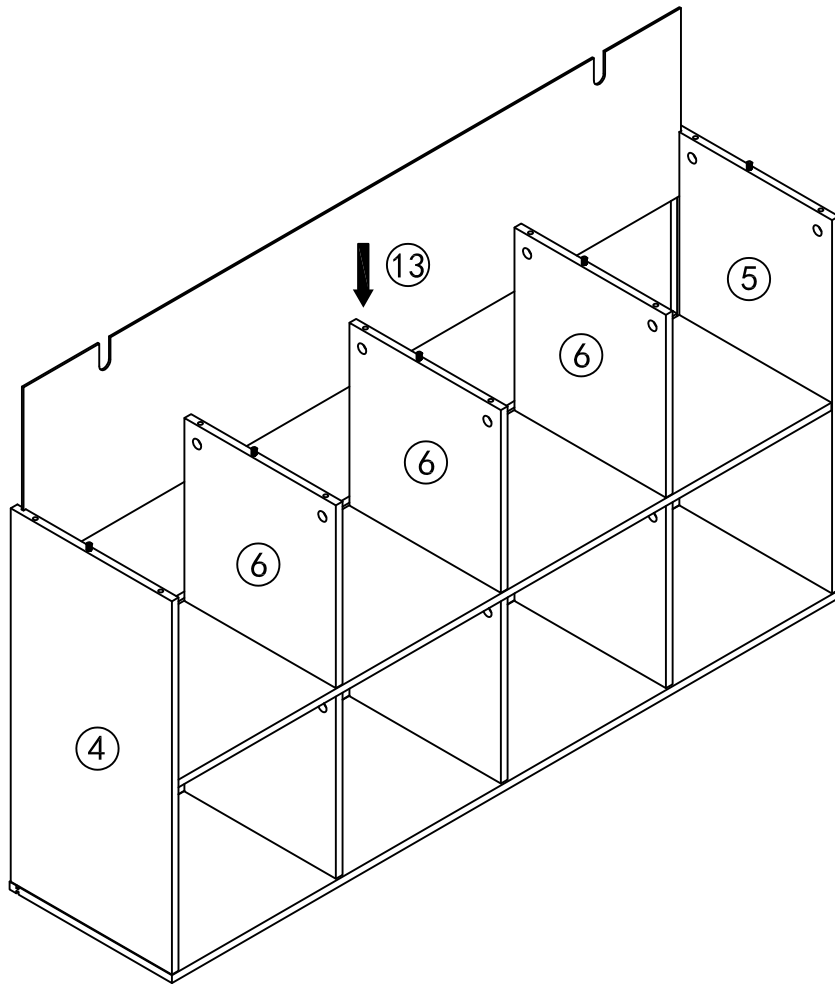
# STEP 16



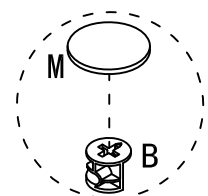
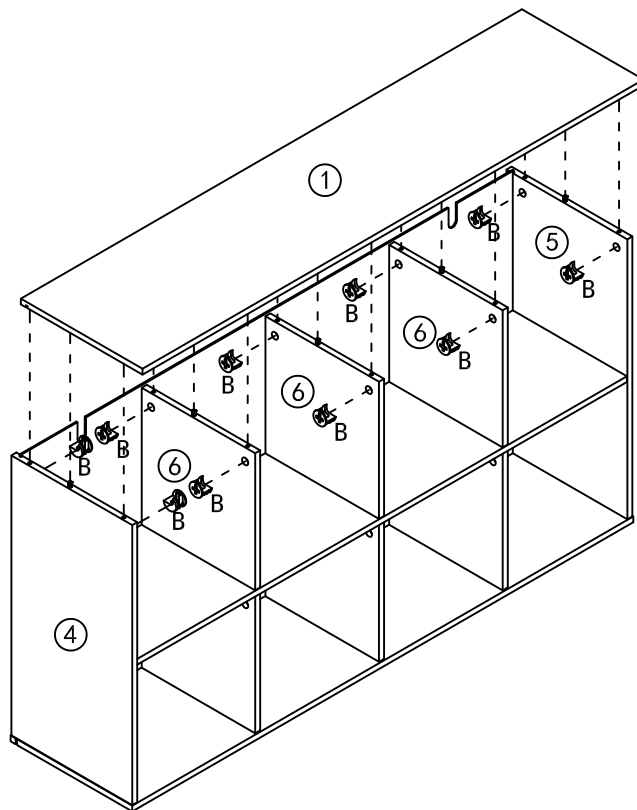
# STEP 17





# STEP 18

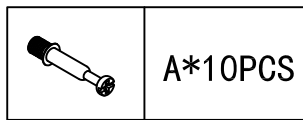
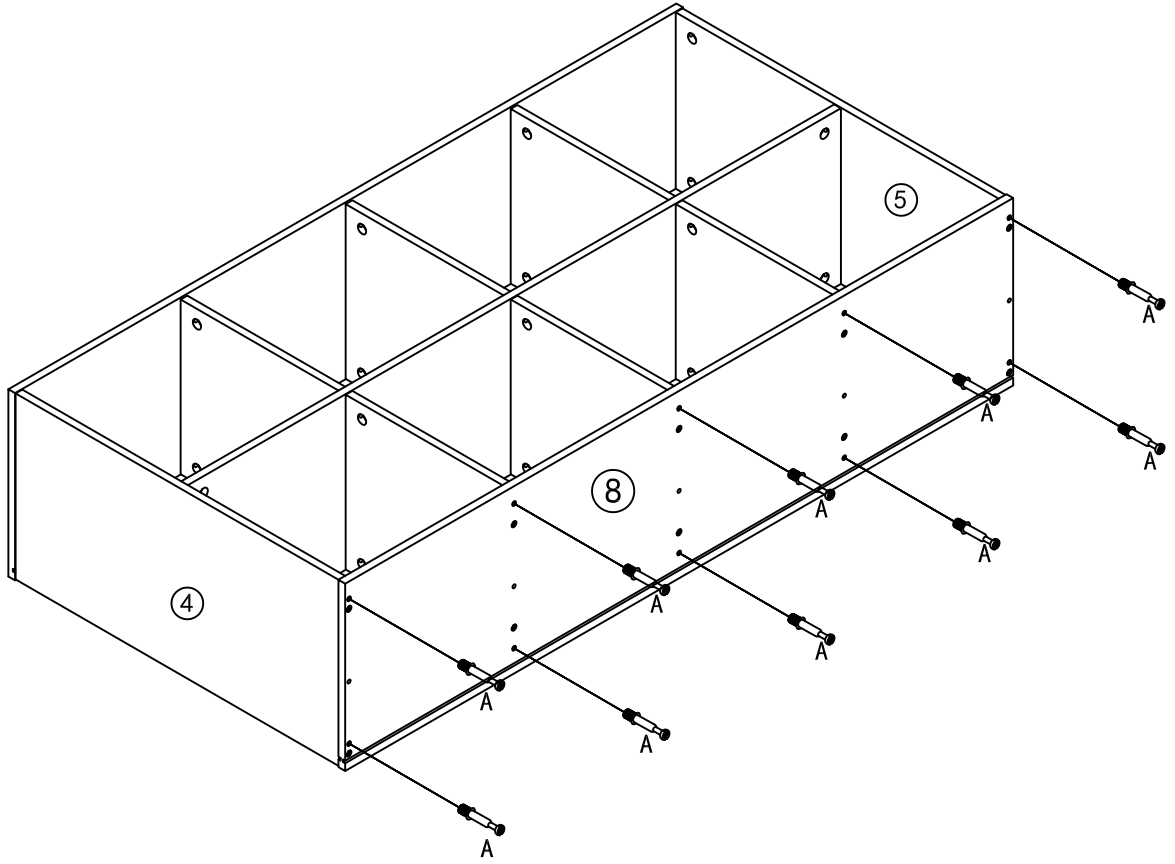


# STEP 19

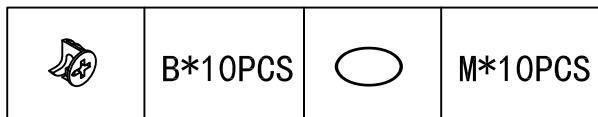
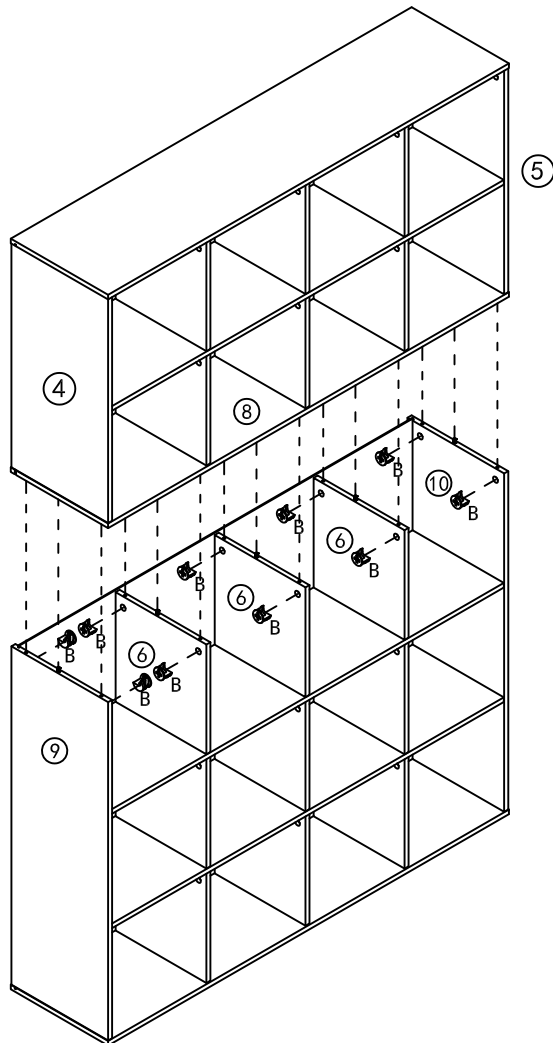
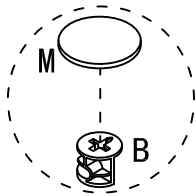


	B*10PCS		M*10PCS
---	---------	---	---------

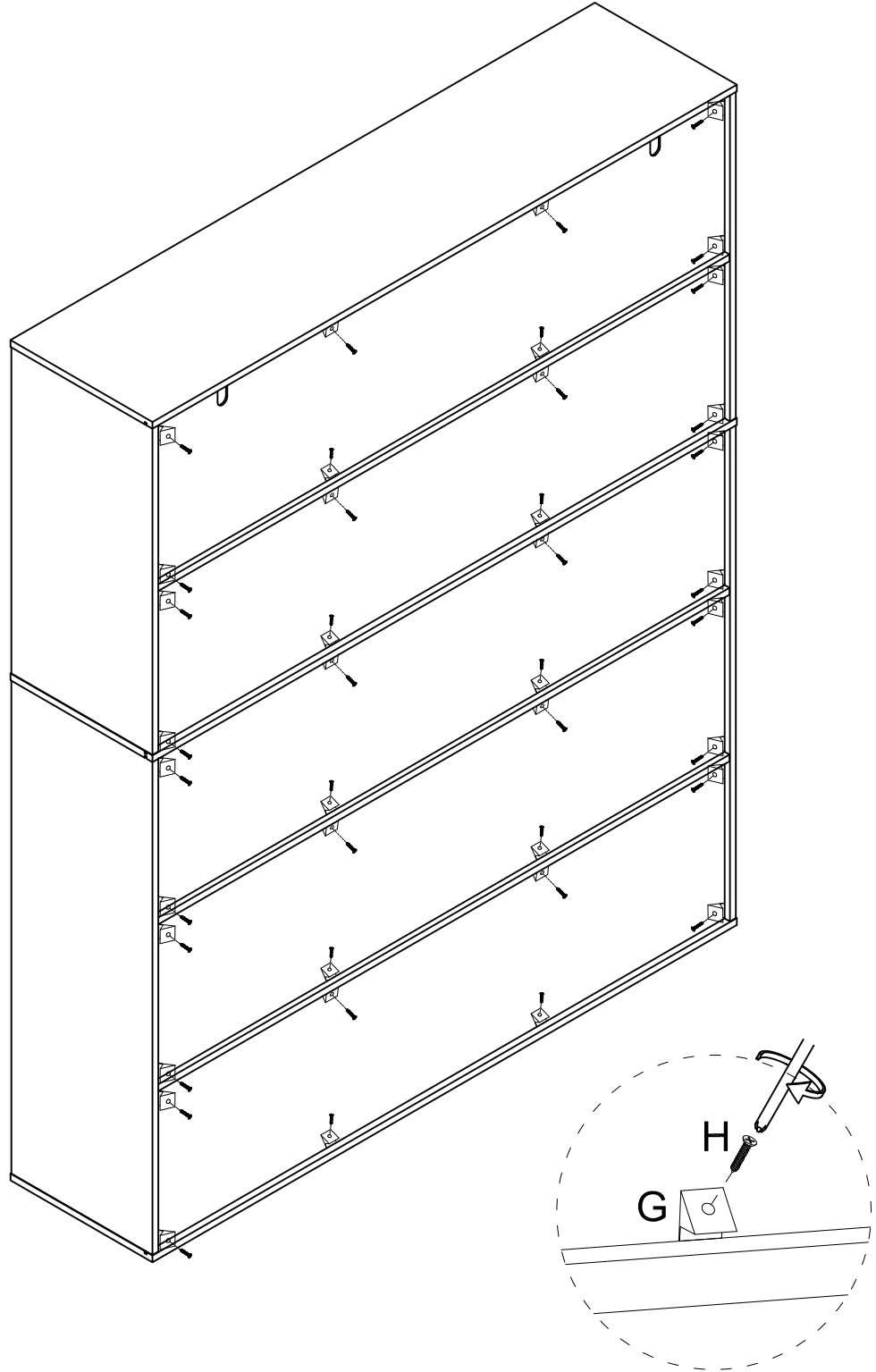
# STEP 20





# STEP 21

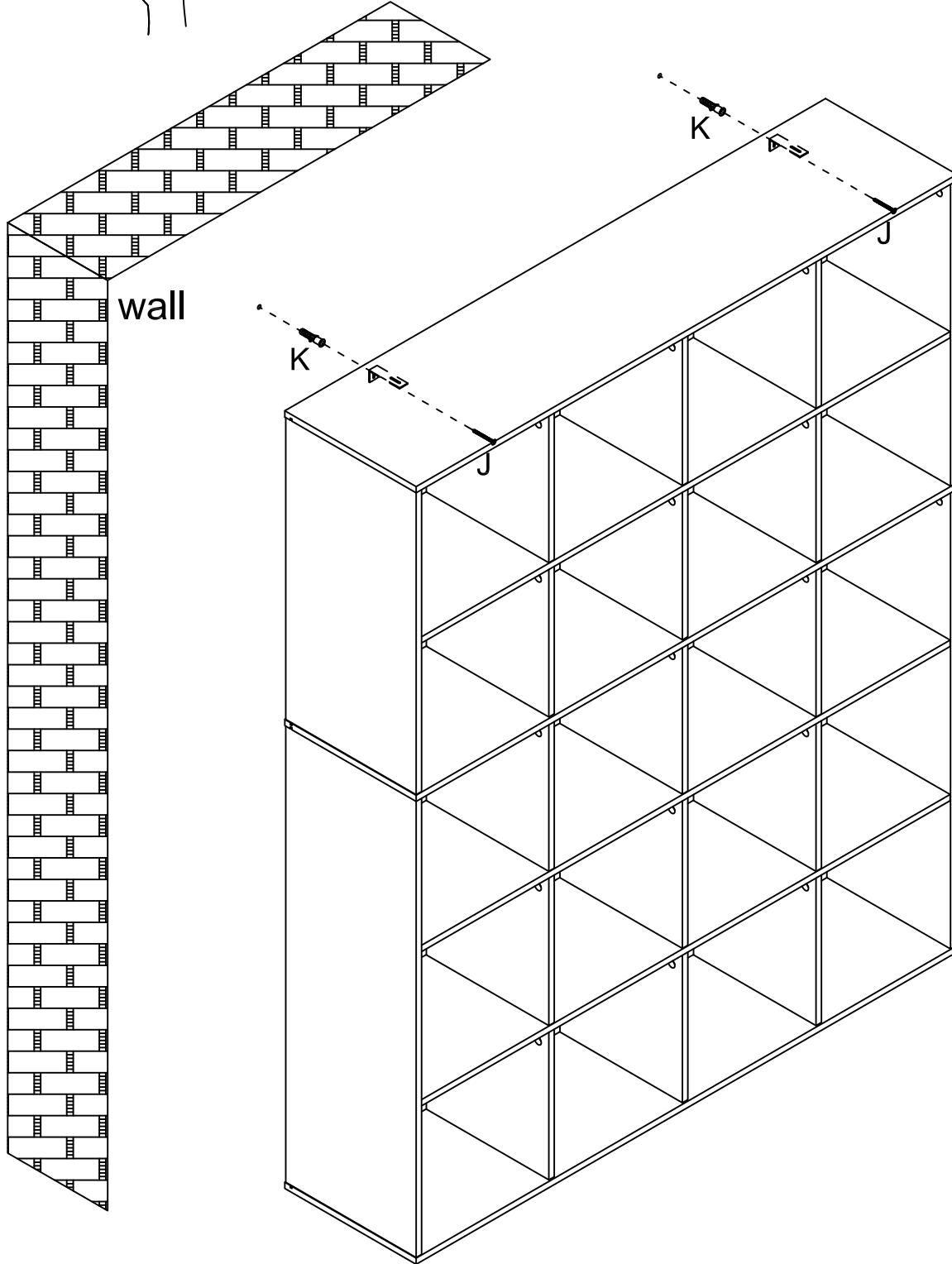
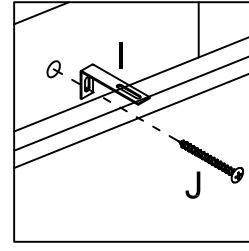
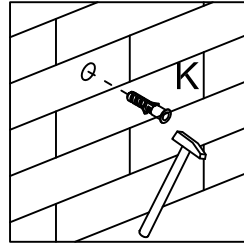
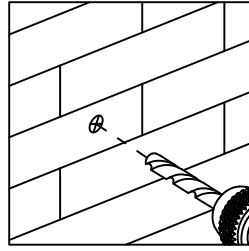
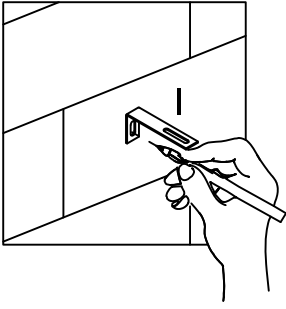




# STEP 22



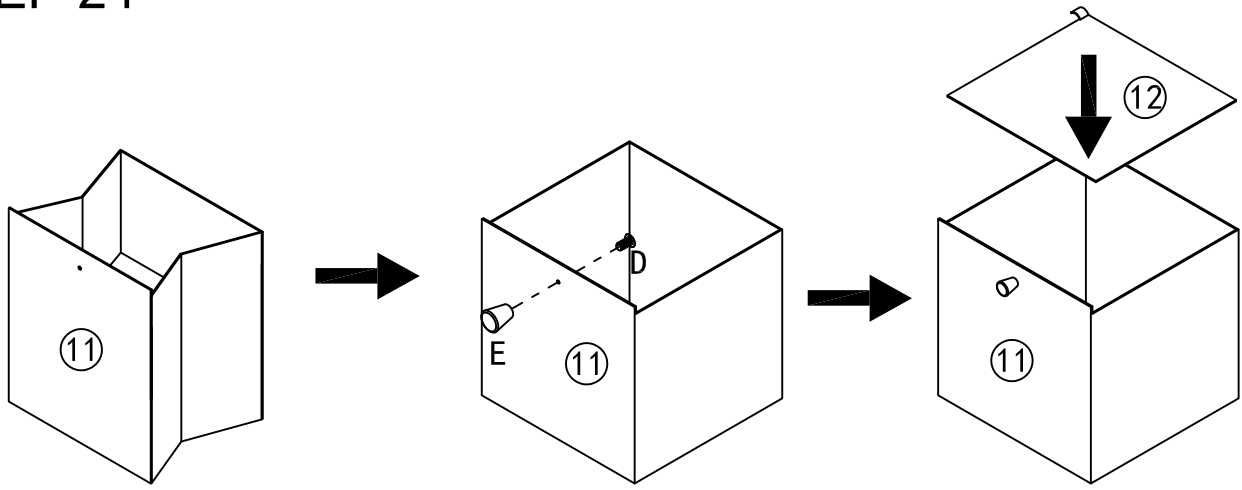
	G*40PCS		H*40PCS
---	---------	---	---------

# STEP 23

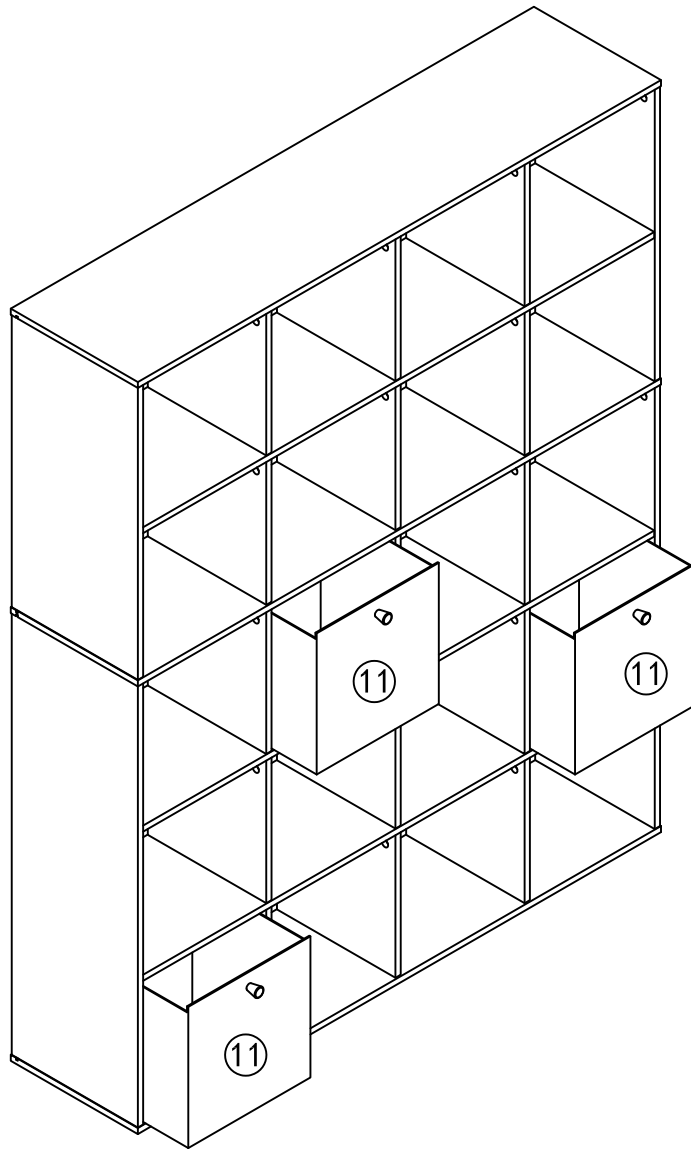




	J*2PCS		K*2PCS
---	--------	---	--------

# STEP 24



x3



	D*3PCS		E*3PCS
---	--------	---	--------

# THANK YOU!

Contact our friendly  
customer service team first for help

①



Email:

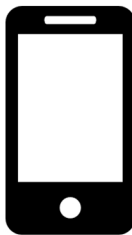
[furni-service@outlook.com](mailto:furni-service@outlook.com)

②



Amazon Message

③



Call or Message:

+1 (909) 960-3666

④



WhatsApp

If you have any questions, please leave the **order No.**  
and **related picture** information, we will reply you  
within 24 hours, and solve the problem as soon as possible.