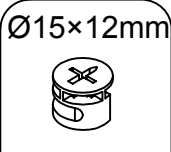

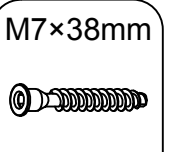
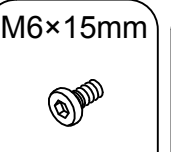
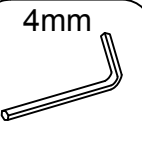
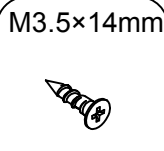


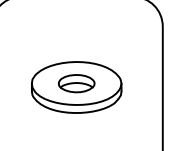
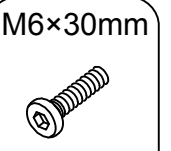
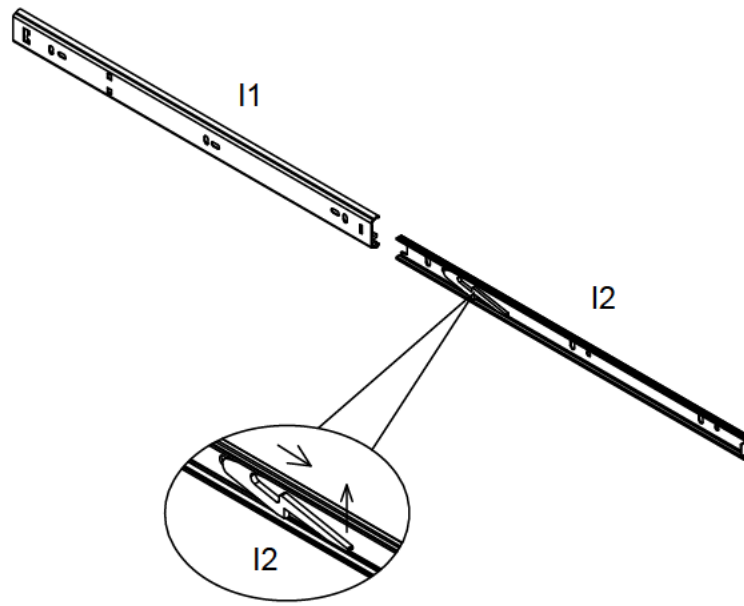

 <b>A</b> × 25	 <b>B</b> × 25	 <b>C</b> × 16	 <b>D</b> × 11	 <b>E</b> × 16	 <b>F</b> × 1
 <b>G</b> × 24	 <b>H</b> × 12	 <b>I</b> × 6	 <b>J</b> × 16	 <b>K</b> × 4	

1

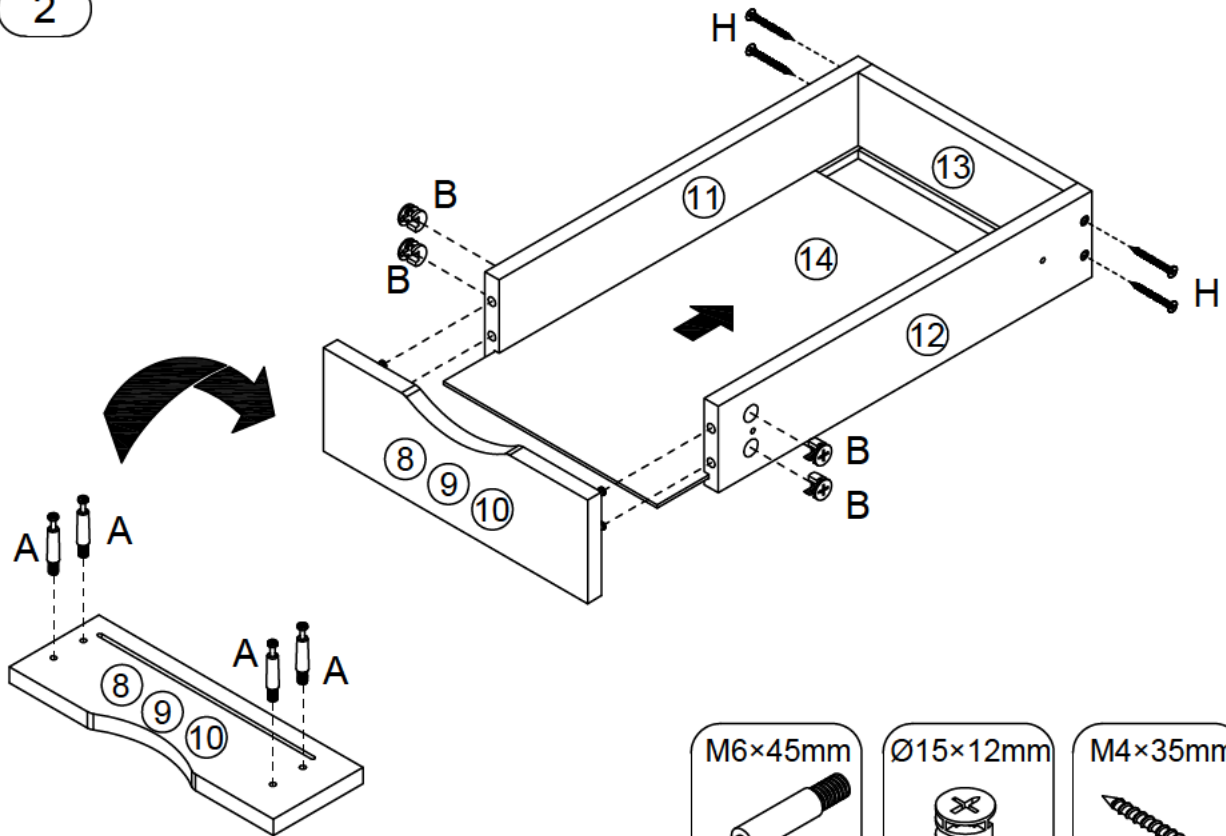


L=380mm




I x 6

2




M6×45mm




A x 12

Ø15×12mm



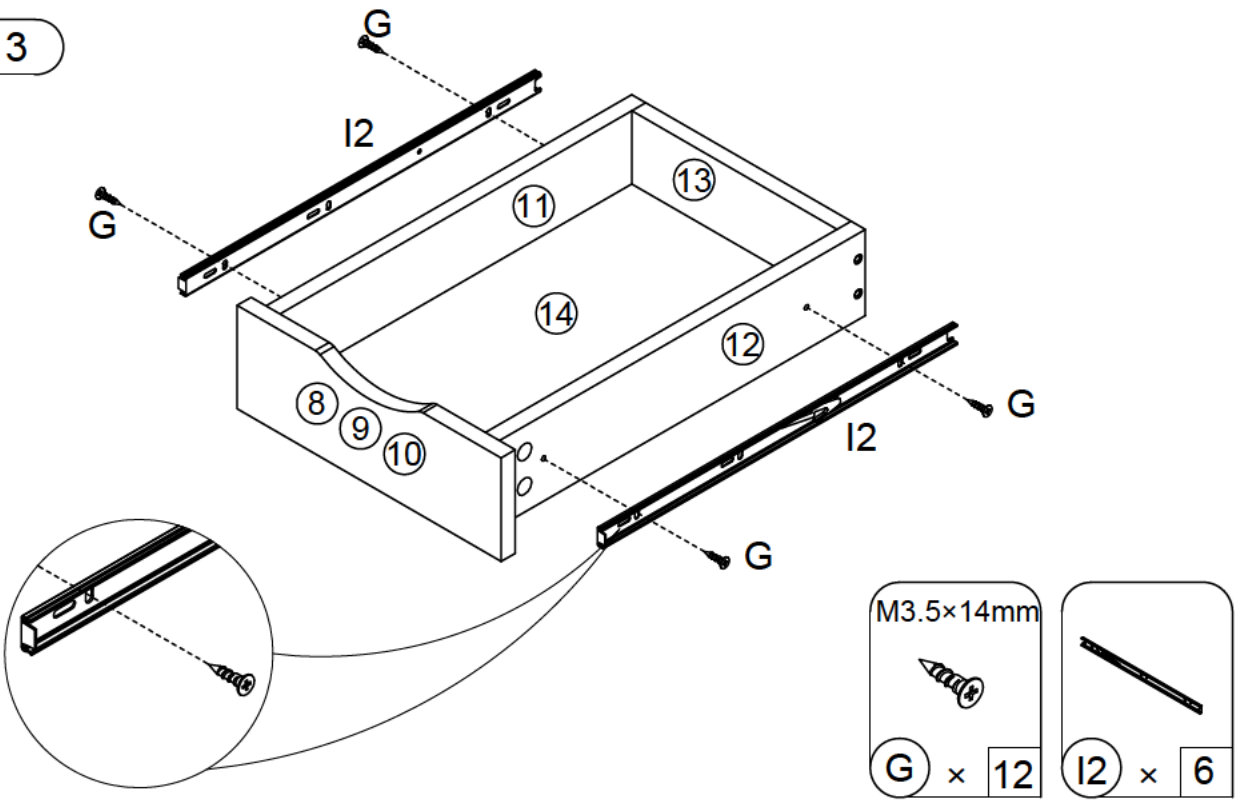
B x 12

M4×35mm

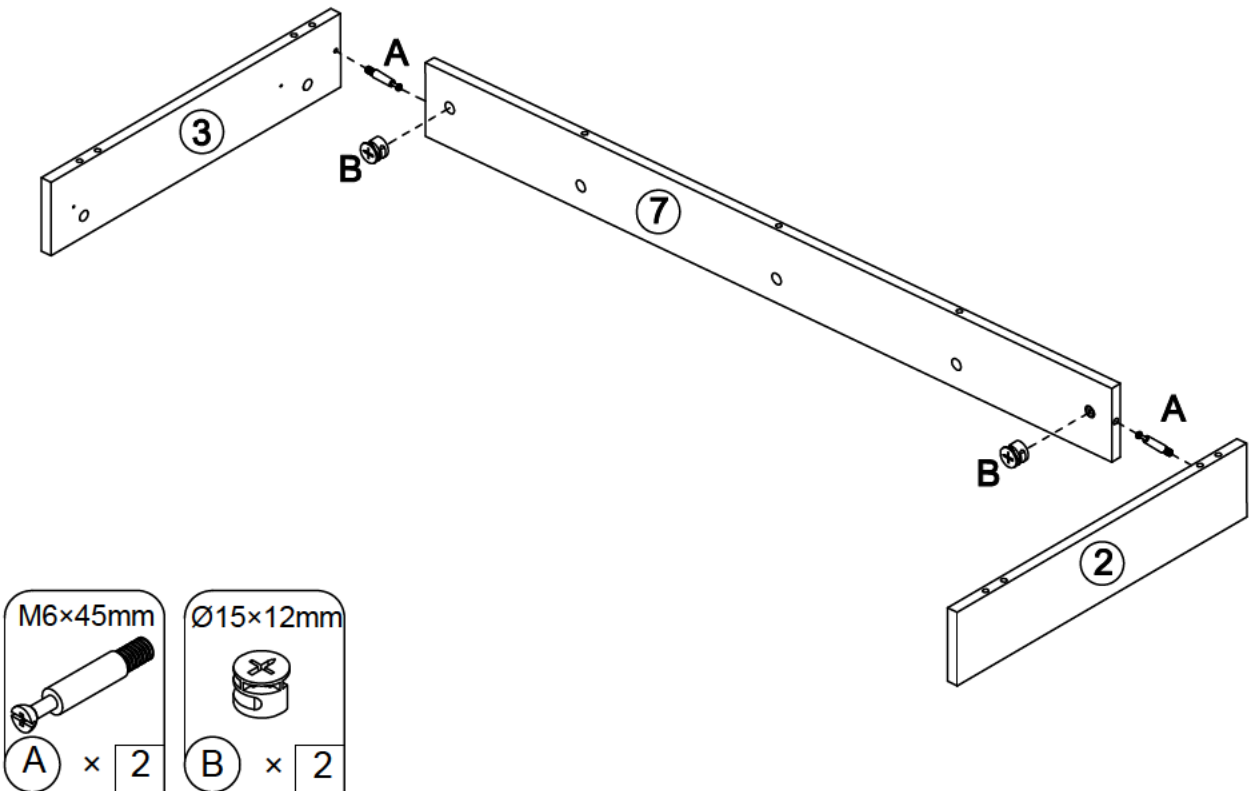


H x 12

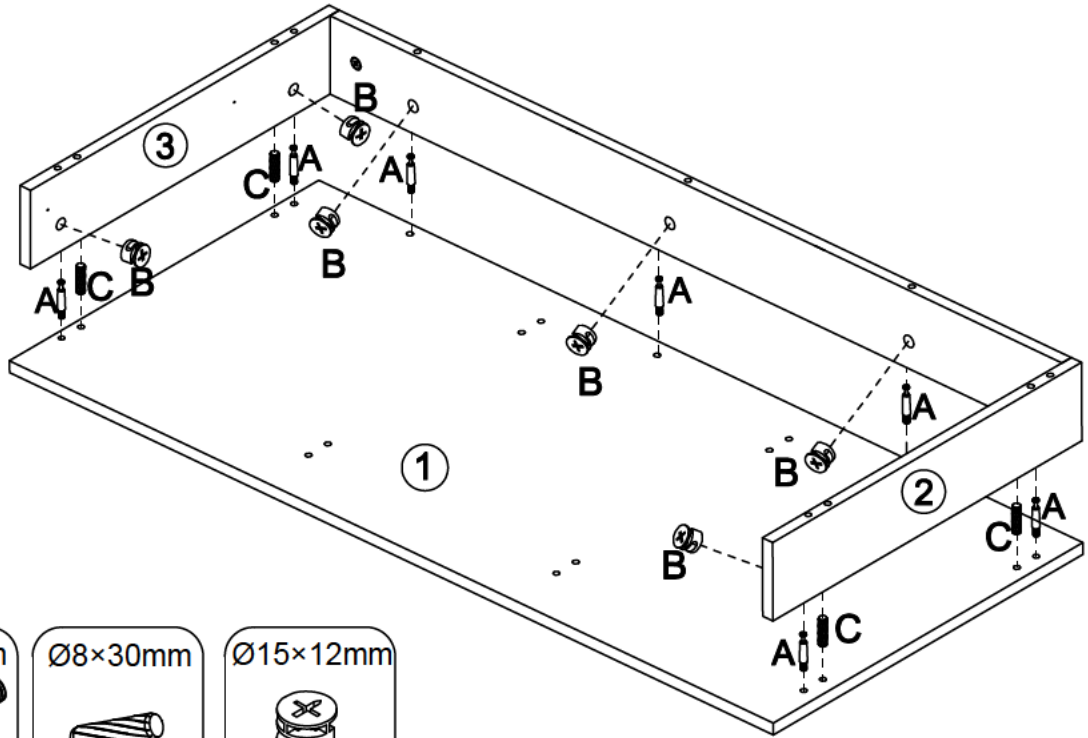
3



4



5



M6×45mm



A × 7

Ø8×30mm



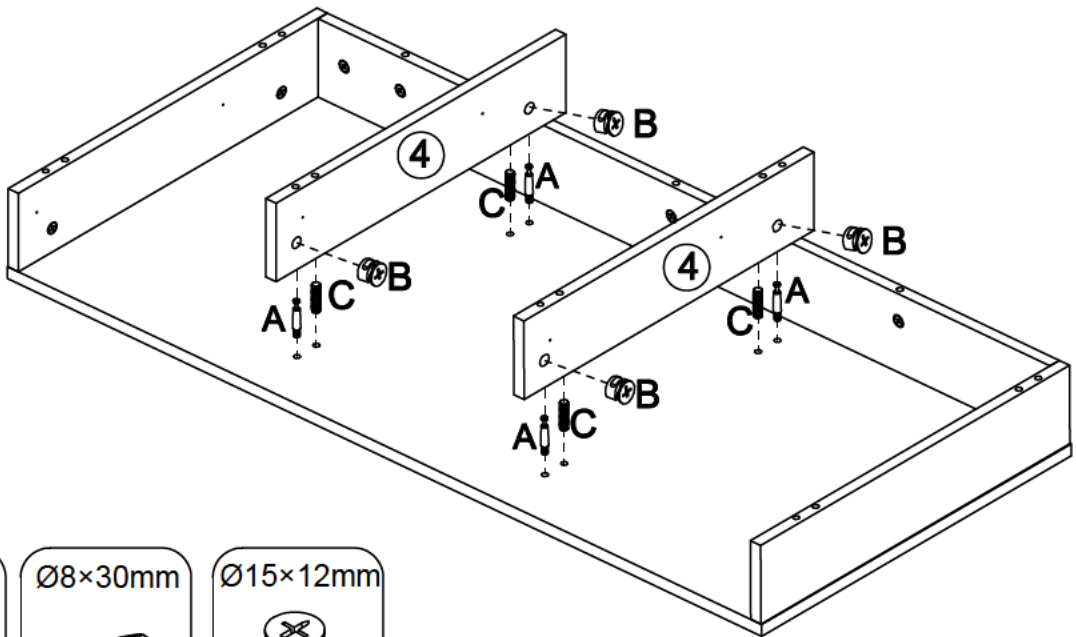
C × 4

Ø15×12mm



B × 7

6



M6×45mm



A × 4

Ø8×30mm



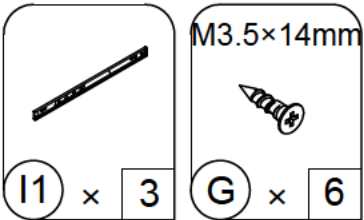
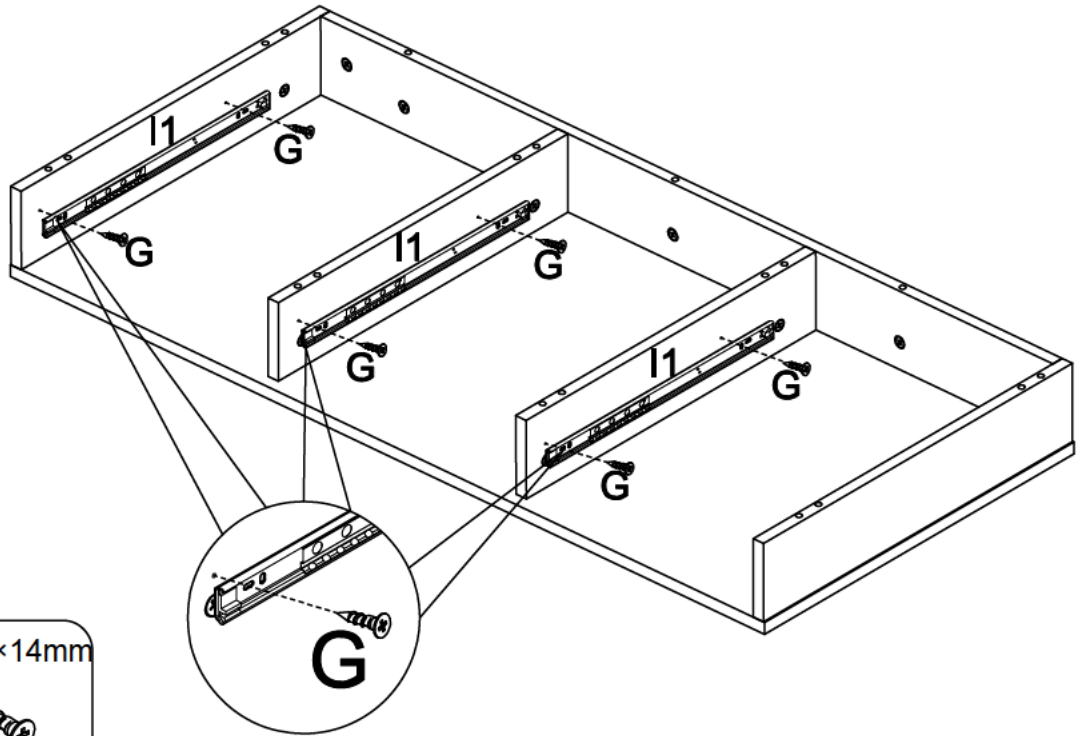
C × 4

Ø15×12mm

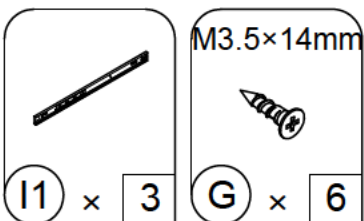
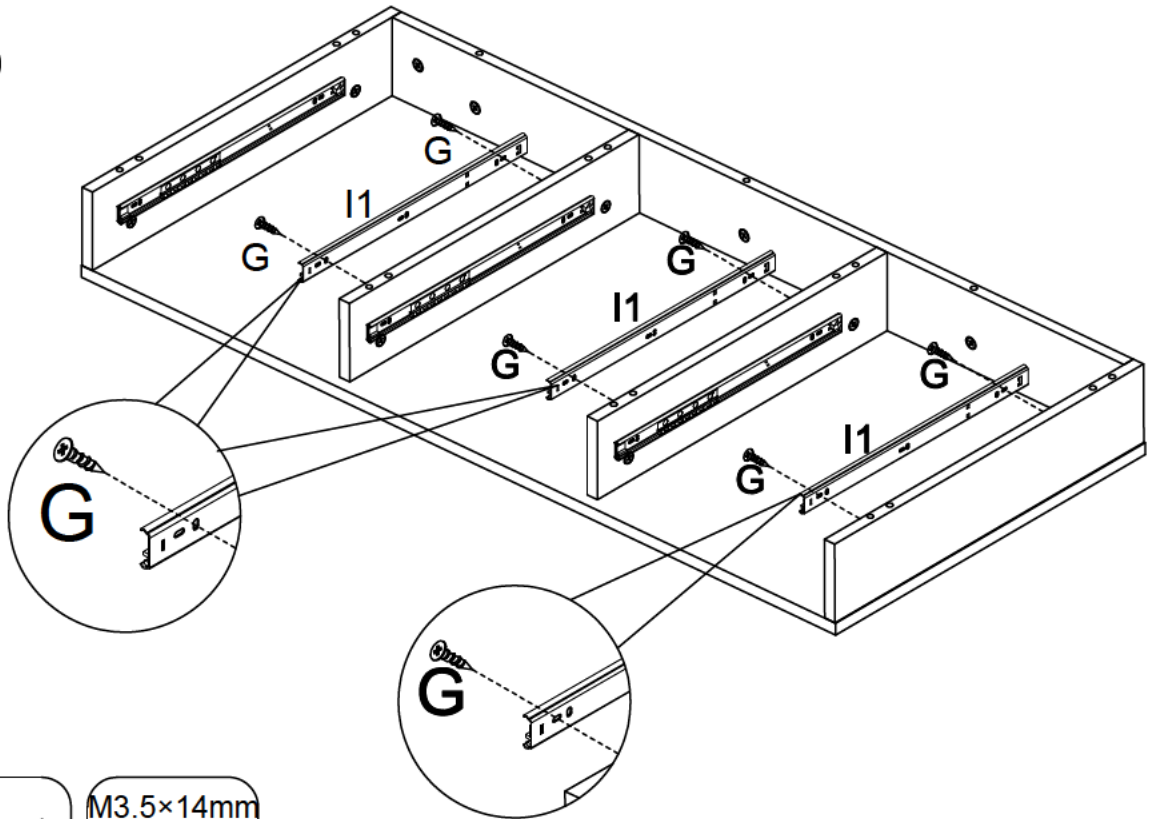


B × 4

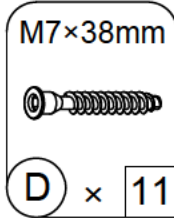
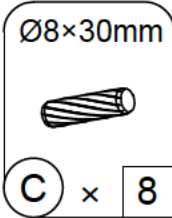
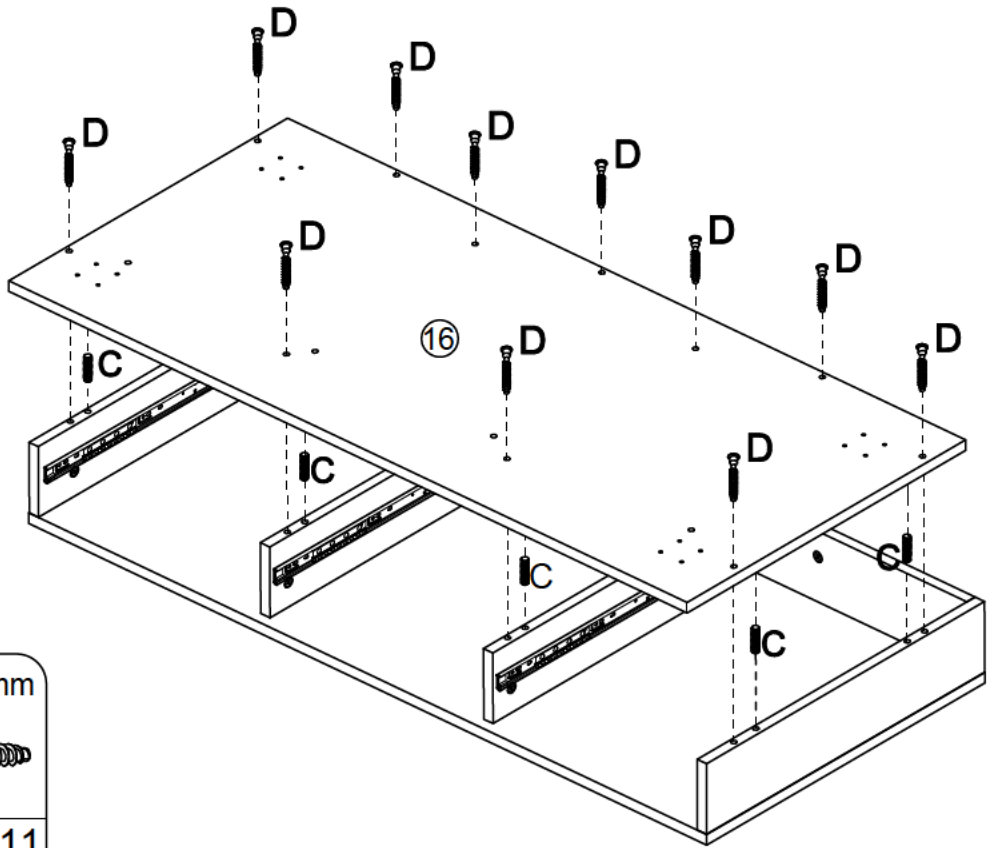
7



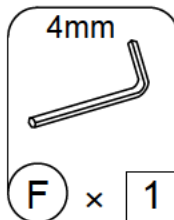
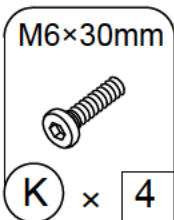
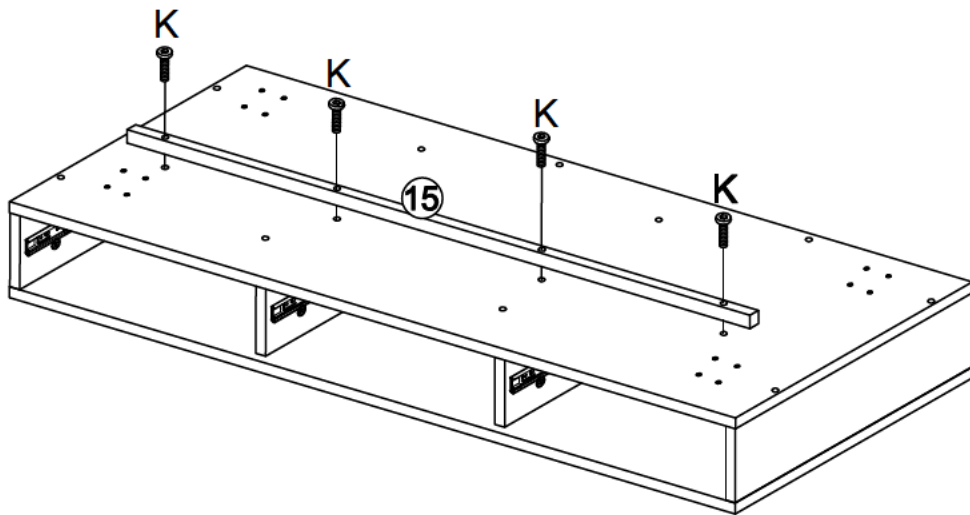
8



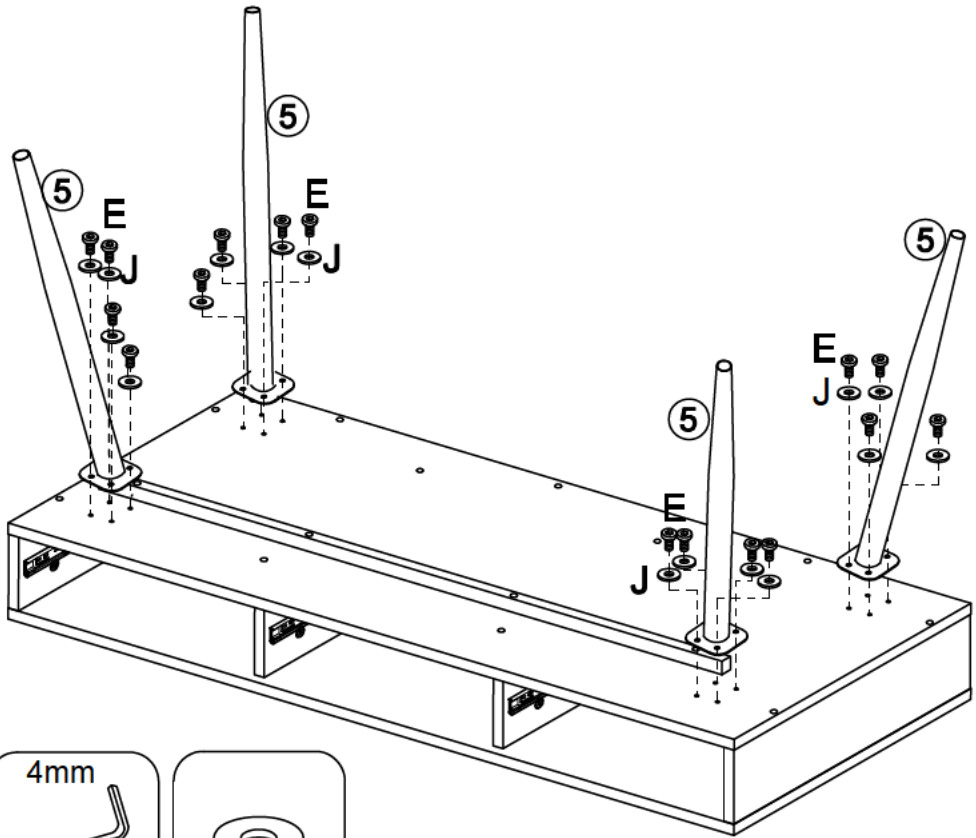
9






10

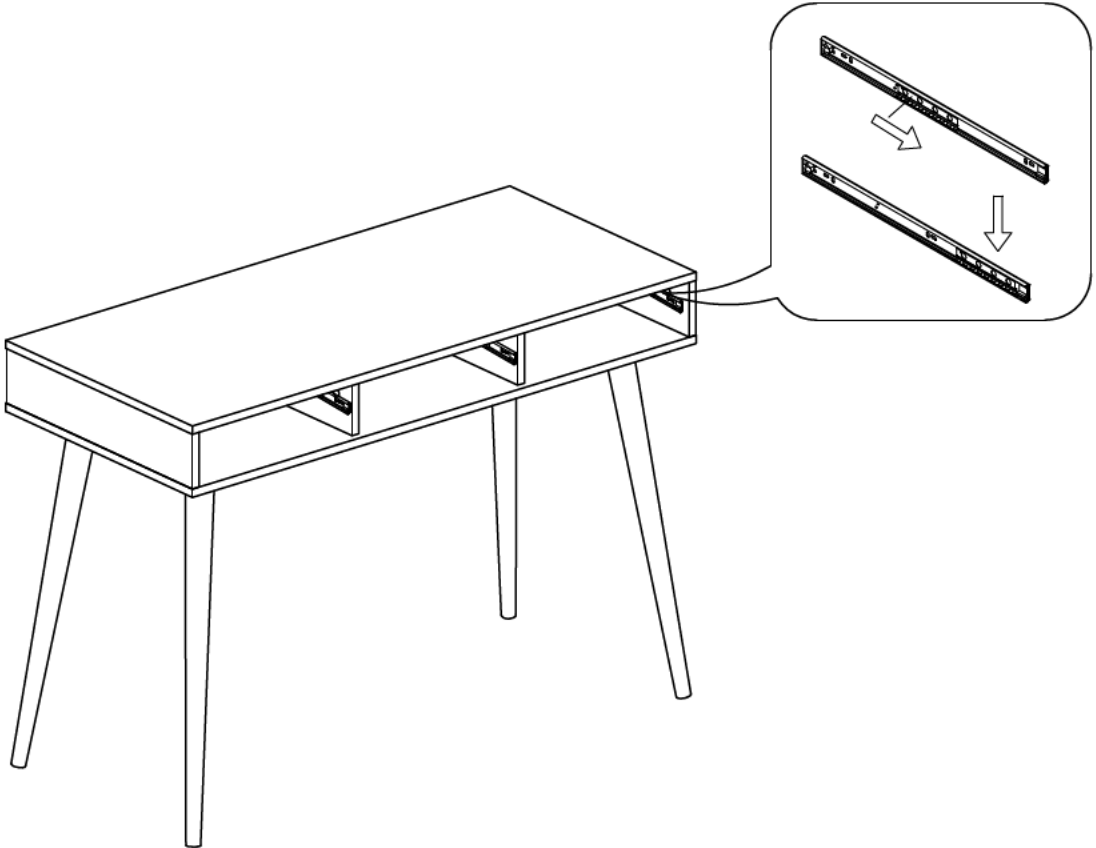


11



M6×15mm 	4mm 	
E × 16	F × 1	J × 16

12



13

