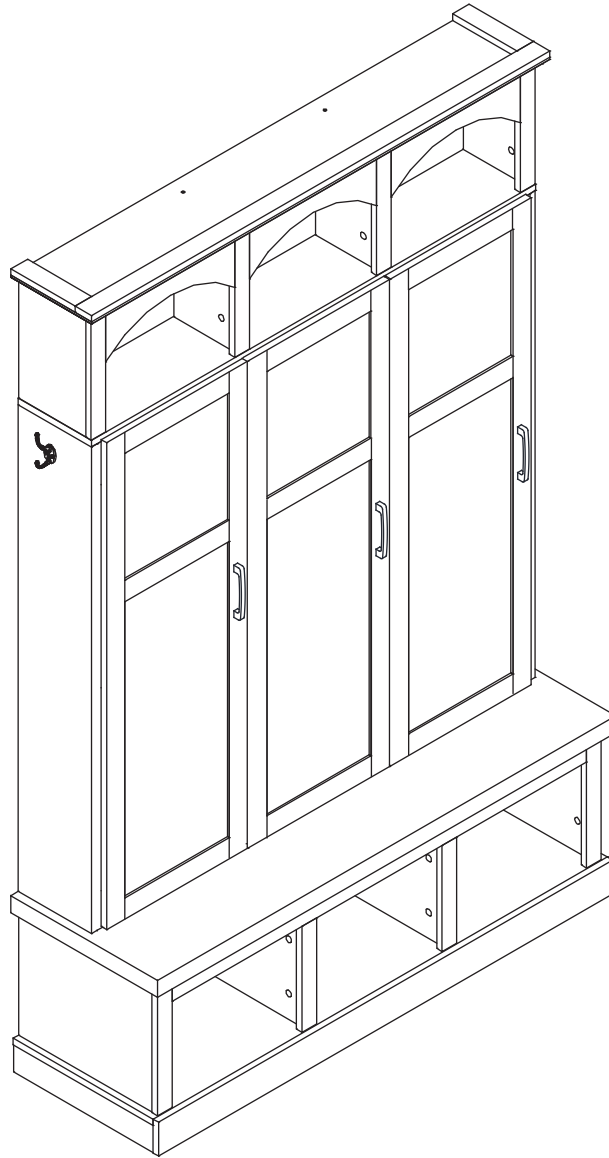


Hall Tree

Assembly Instructions - Please keep for future reference




Dimensions

Width-49.21 inch

Depth-15.75 inch

Height-74.8 inch

WARNING	
	<p>This product is NOT a Clothing Storage Unit (CSU). DO NOT use it for clothing storage. Improper use may cause furniture tipover.</p>

Important – Please read these instructions fully before starting assembly

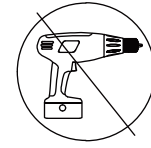


Safety and Care Advice

Important – Please read these instructions fully before starting assembly

- Check you have all the components and tools listed on the following pages.
- Remove all fittings from the plastic bags and separate them into their groups.
- Keep children and animals away from the work area, small parts could choke if swallowed.
- Make sure you have enough space to layout the parts before starting.

- During assembly do not stand or put weight on the product, this could cause damage.
- Assemble the item as close to its final position (in the same room) as possible.
- Assemble on a soft level surface to avoid damaging the unit or your floor.
- Parts of the assembly will be easier with 2 people.



- To reduce the likelihood of damaging your product please ensure that your power drill is set on a low torque setting.

Care and maintenance

- Only clean using a damp cloth and mild detergent, do not use bleach or abrasive cleaners.
- From time to time check that there are no loose screws on this unit.
- This product should not be discarded with household waste. Take to your local authority waste disposal centre.

Handy Hints

- Assemble all parts and bolts loosely during assembly, only once the product is complete should you fully tighten the bolts
- Regularly check and ensure that all bolts and fittings are tightened properly.

WARNING In order to help prevent overturning – please follow these instructions

To help prevent product toppling over please follow the below steps:-

- Use the anti tip stop or wall fixing method provided (if applicable)
- Do not allow children to climb or hang on the furniture
- Do not open more than one drawer at a time
- Do not place heavy items in the top drawers
- Do not place heavy items on top of the furniture, unless the furniture has been designed for this purpose

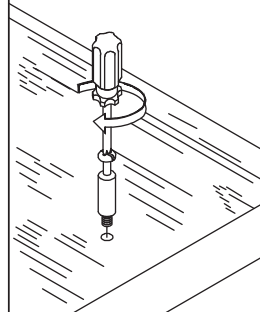
Using Camlocks

Step 1

Connect the male camlock as directed in the assembly instructions using a screwdriver.

1

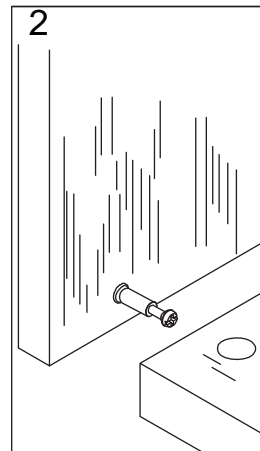
DO NOT OVER TIGHTEN.
NE PAS SERRER EXCESSIVEMENT.



Step 2

Push the male camlock into the entry hole.

2

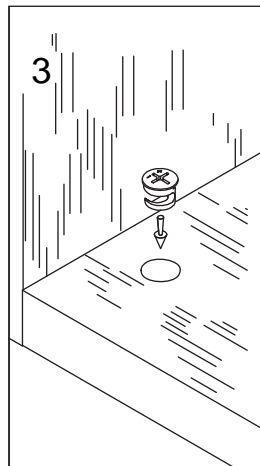


Step 3

Insert the female camlock as shown in the instruction.

Note: ensure that the arrow on the top of the camlock points towards the entry hole for the male camlock.

3



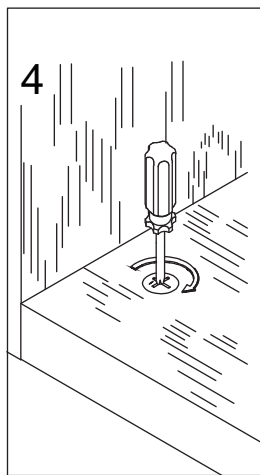
Step 4

Turn the female camlock clockwise with a screwdriver.

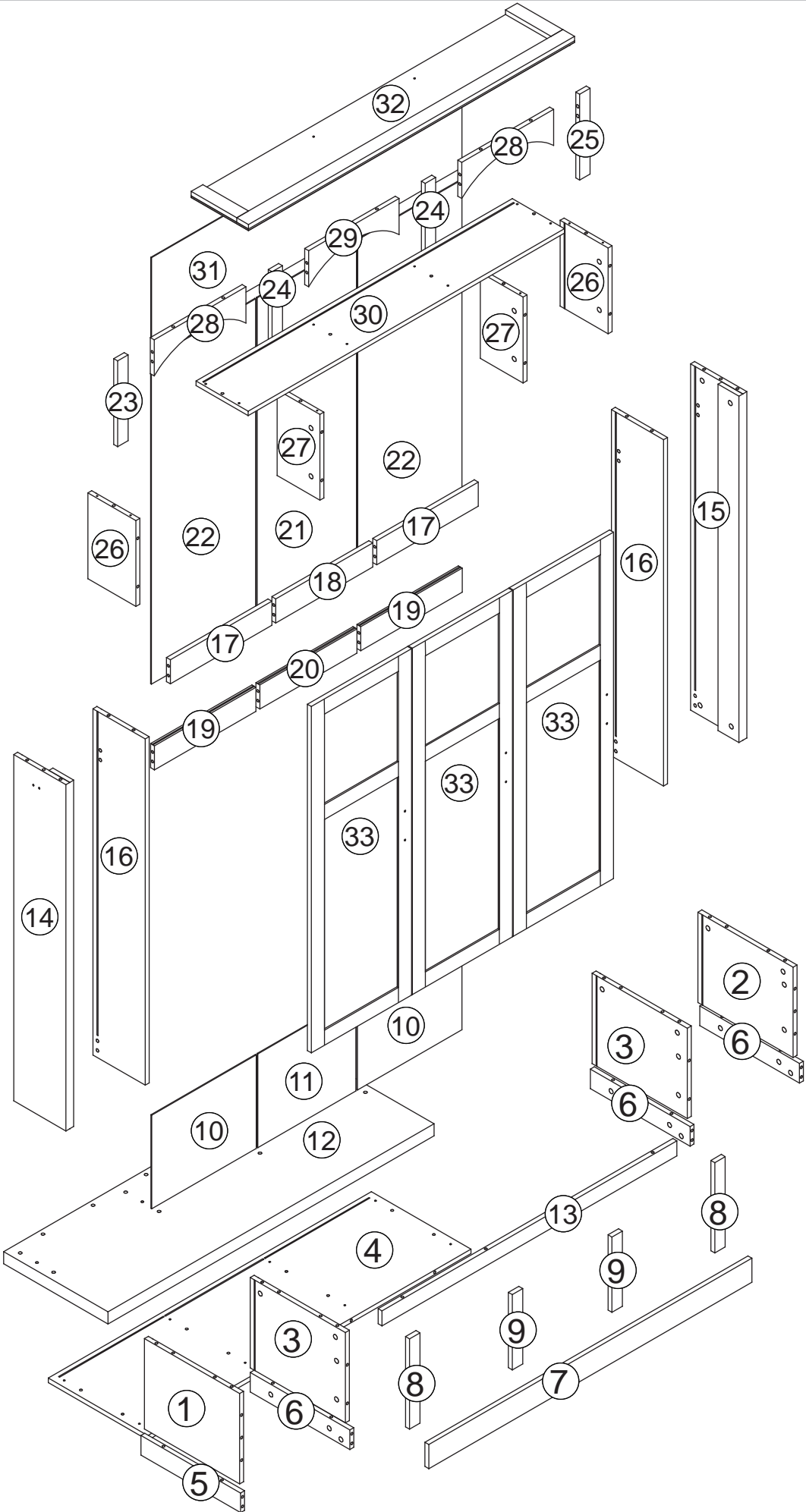
You should feel a click when the camlock is locked in place.

The joint is now secure.

4



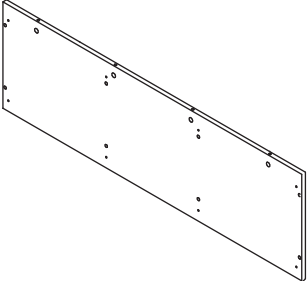
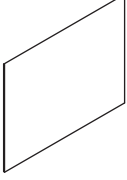
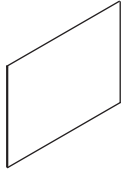
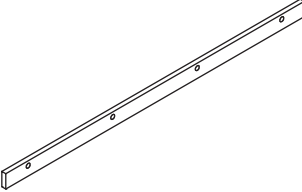
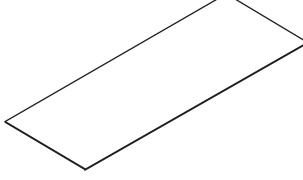
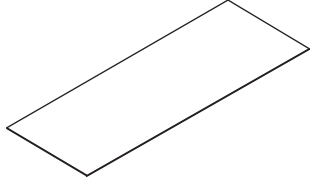
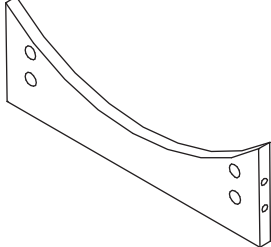
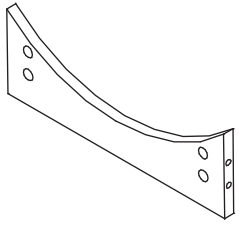
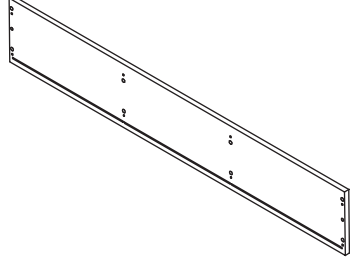
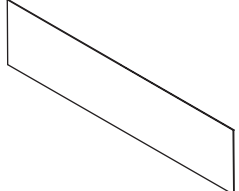
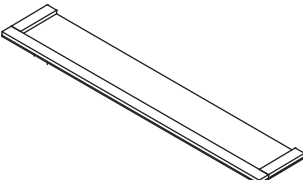
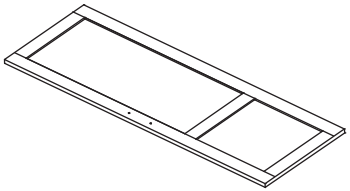
Assembly Instructions



Assembly Instructions

There are 2 boxes of this product

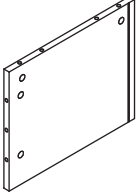
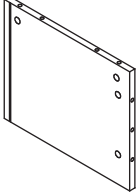
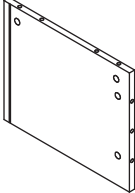
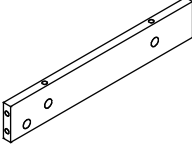
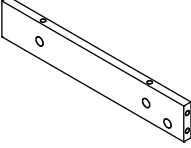
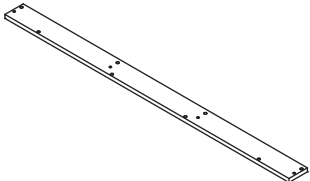
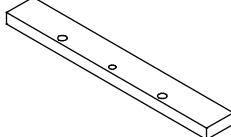
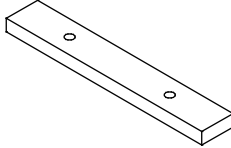
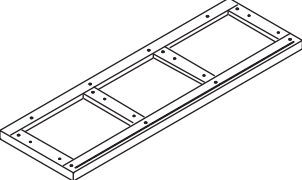
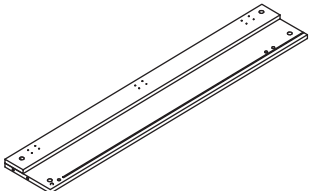
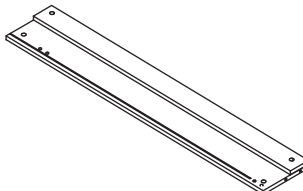
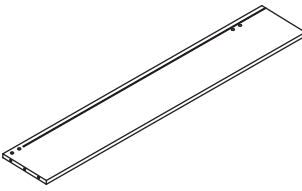
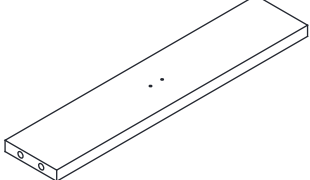
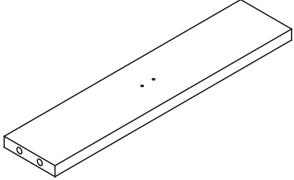
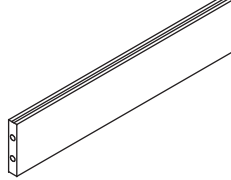
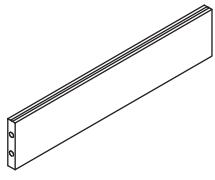
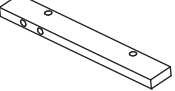
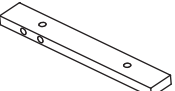
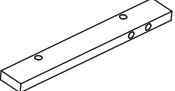

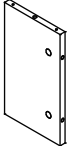
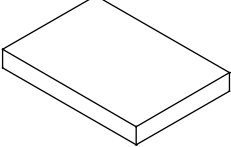
BOX-1: N721P473087

 <p>1238*382*15mm ④ X 1</p>	 <p>400*311*3mm ⑩ X 2</p>	 <p>376*311*3mm ⑪ X 1</p>
 <p>1130*50*15mm ⑬ X 1</p>	 <p>1080*381*3mm ⑳ X 1</p>	 <p>1080*399*3mm ㉒ X 2</p>
 <p>352*120*15mm ㉘ X 2</p>	 <p>347*120*15mm ㉙ X 1</p>	 <p>1212*200*15mm ㉚ X 1</p>
 <p>1190*295*3mm ㉛ X 1</p>	 <p>1250*220*30mm ㉜ X 1</p>	 <p>1150*384*15mm ㉝ X 3</p>

Assembly Instructions

There are 2 boxes of this product

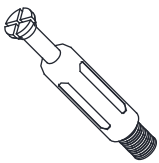

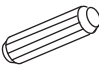
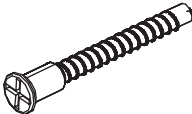

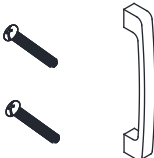

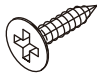




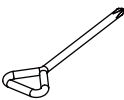
BOX-2: N721P473088

 <p>300*365*15mm ① X 1</p>	 <p>300*365*15mm ② X 1</p>	 <p>300*365*15mm ③ X 2</p>	 <p>382*65*15mm ⑤ X 1</p>
 <p>382*65*15mm ⑥ X 3</p>	 <p>1238*80*15mm ⑦ X 1</p>	 <p>300*40*15mm ⑧ X 2</p>	 <p>250*40*15mm ⑨ X 2</p>
 <p>1250*400*30mm ⑫ X 1</p>	 <p>1150*200*30mm ⑭ X 1</p>	 <p>1150*200*30mm ⑮ X 1</p>	 <p>1150*200*15mm ⑯ X 2</p>
 <p>389*80*15mm ⑰ X 2</p>	 <p>372*80*15mm ⑱ X 1</p>	 <p>389*80*15mm ⑲ X 2</p>	 <p>372*80*15mm ⑳ X 1</p>
 <p>285*40*15mm ㉓ X 1</p>	 <p>285*40*15mm ㉔ X 2</p>	 <p>285*40*15mm ㉕ X 1</p>	 <p>285*184*15mm ㉖ X 2</p>
 <p>285*164*15mm ㉗ X 2</p>	 <p>Hardware Pack X1</p>		

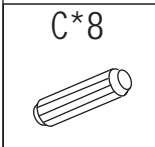
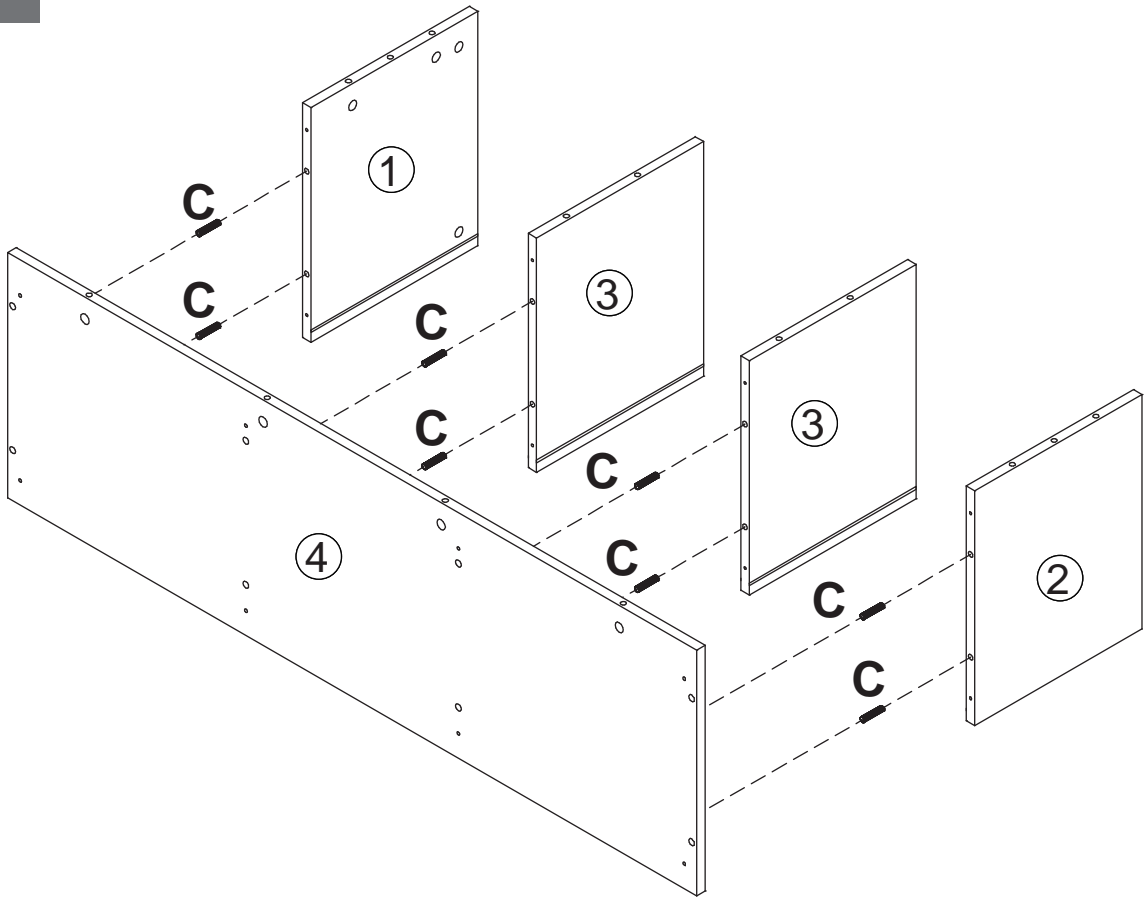
Components-Fittings

Please check you have all the panels listed below

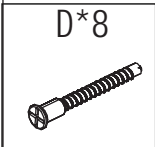
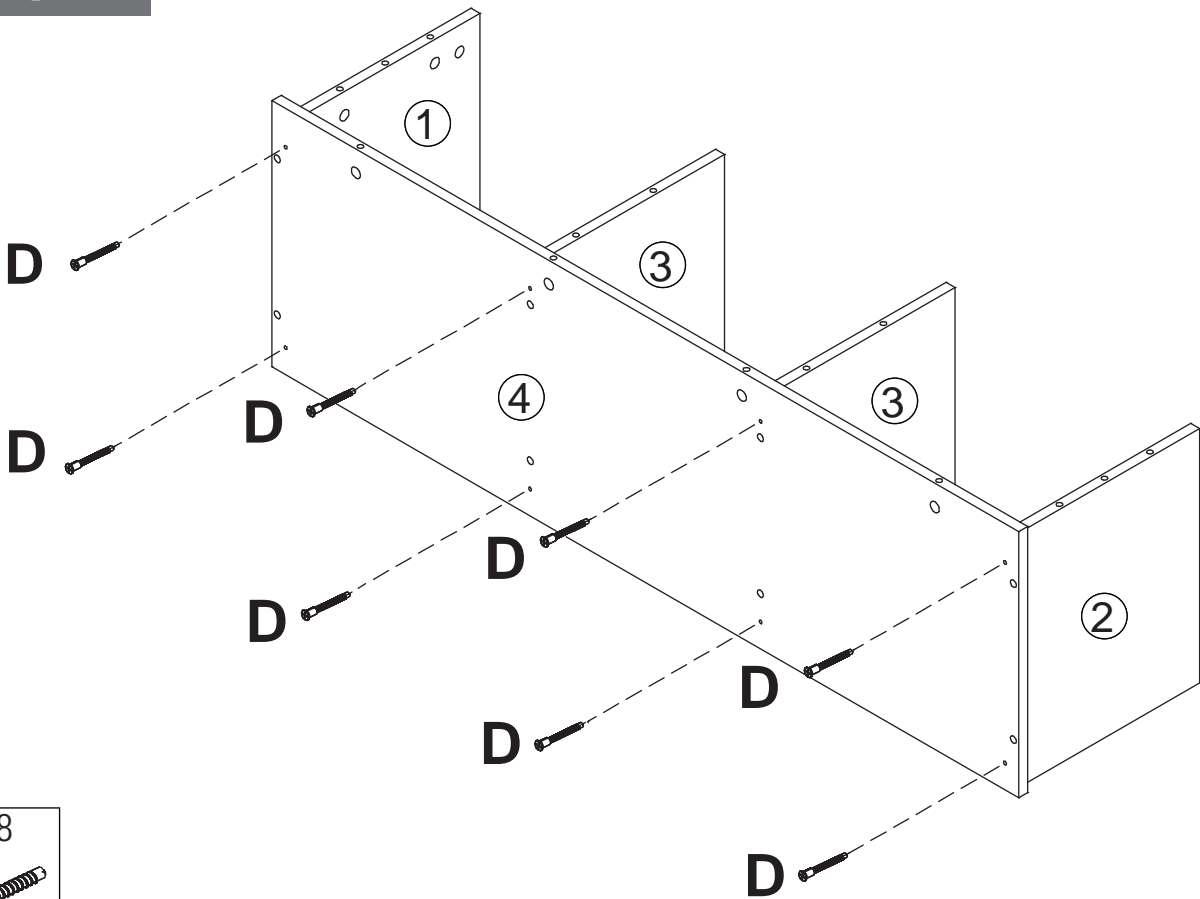
Note: The quantities below are the correct amount to complete the assembly. In some cases more fittings may be supplied than are required.

<p>(A)</p>  <p>Cam Bolt x 102+3</p>	<p>(B)</p>  <p>Cam Lock x 102+3</p>	<p>(C)</p>  <p>8*30mm Dowel x 42+2</p>	<p>(D)</p>  <p>Screw x 24+2</p>
<p>(E)</p>  <p>Handle x 9</p>	<p>(F)</p>  <p>Handle x 3</p>	<p>(G)</p>  <p>Clothes-hook x 5 set</p>	<p>(H)</p>  <p>3.5*14mm Screw x 84+3</p>
<p>(J)</p>  <p>Back panel buckle x 26+2</p>	<p>(K)</p>  <p>felt x 19+2</p>	<p>(L)</p>  <p>L-1 L-2 L-3 Anti dumping x 2 set</p>	<p>(M)</p>  <p>Perfect Fit x 54</p>
<p>(N)</p>  <p>Screwdriver x 1</p>			

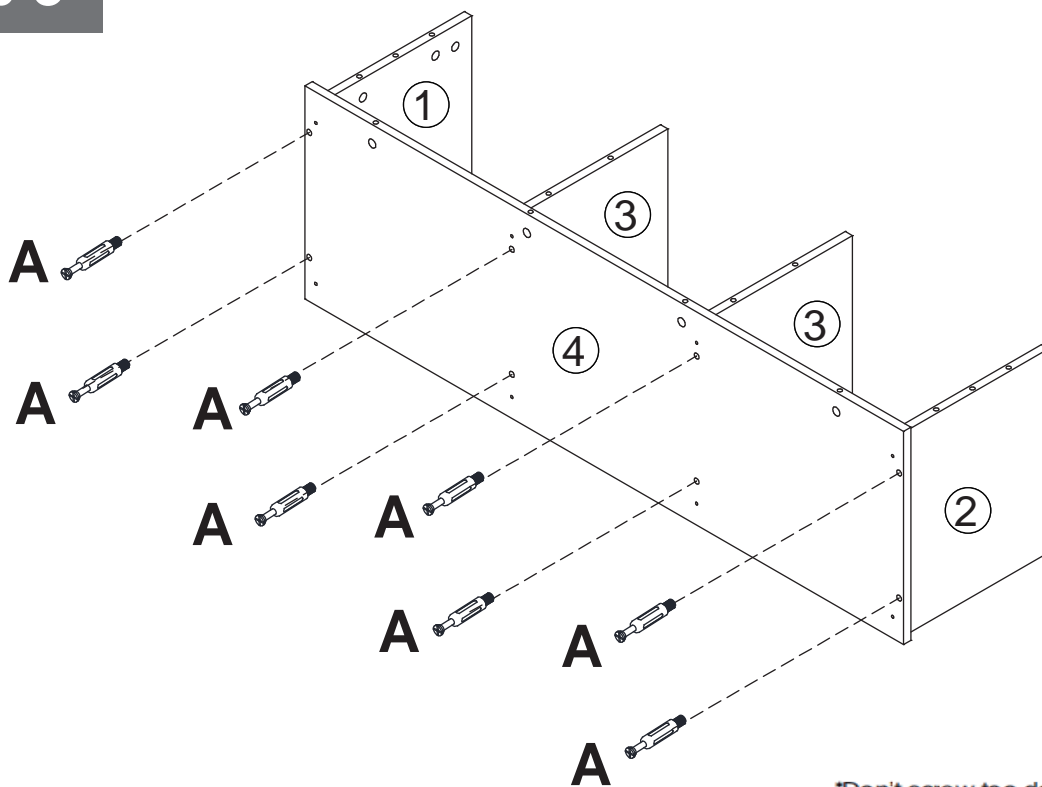
Step 1



Step 2



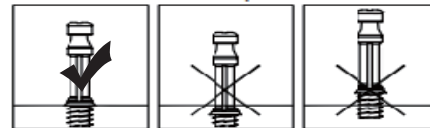
Step 3



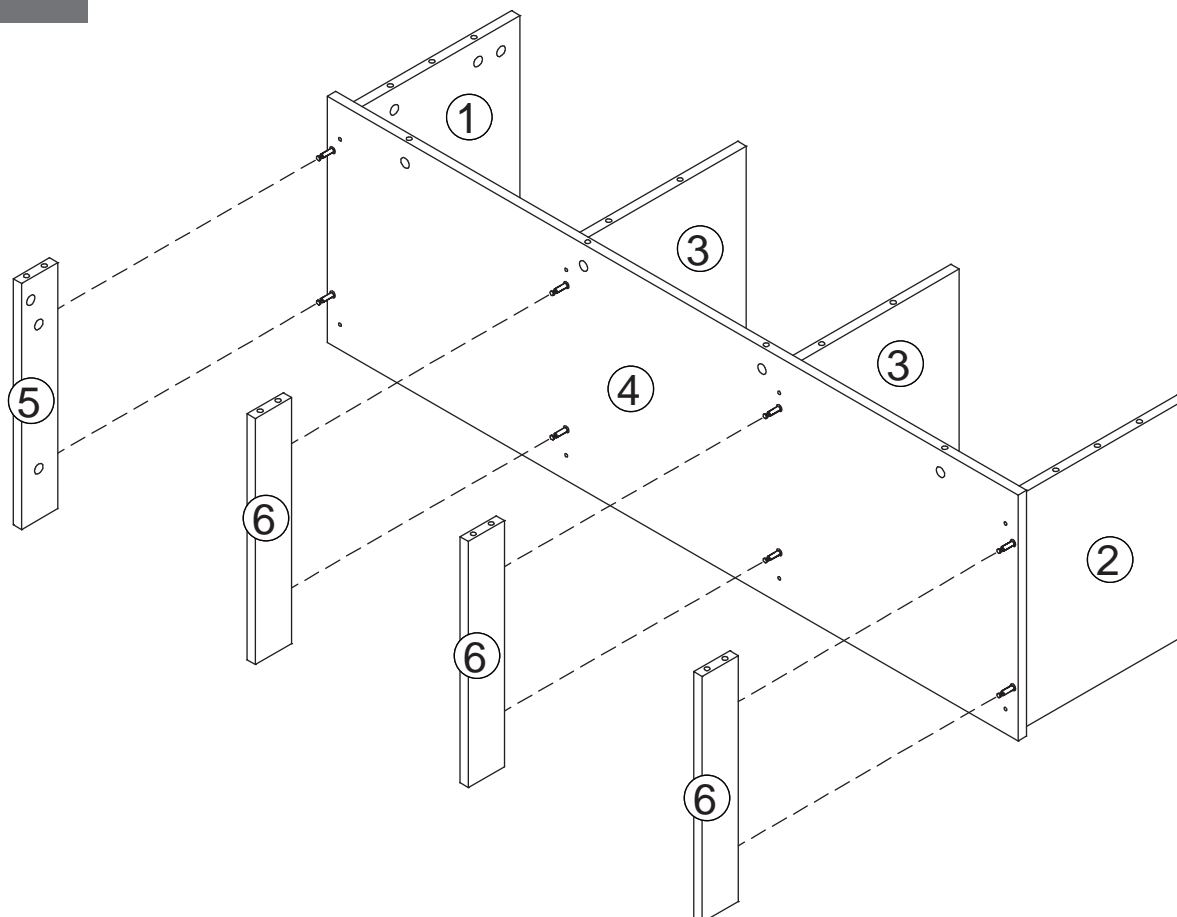
A*8



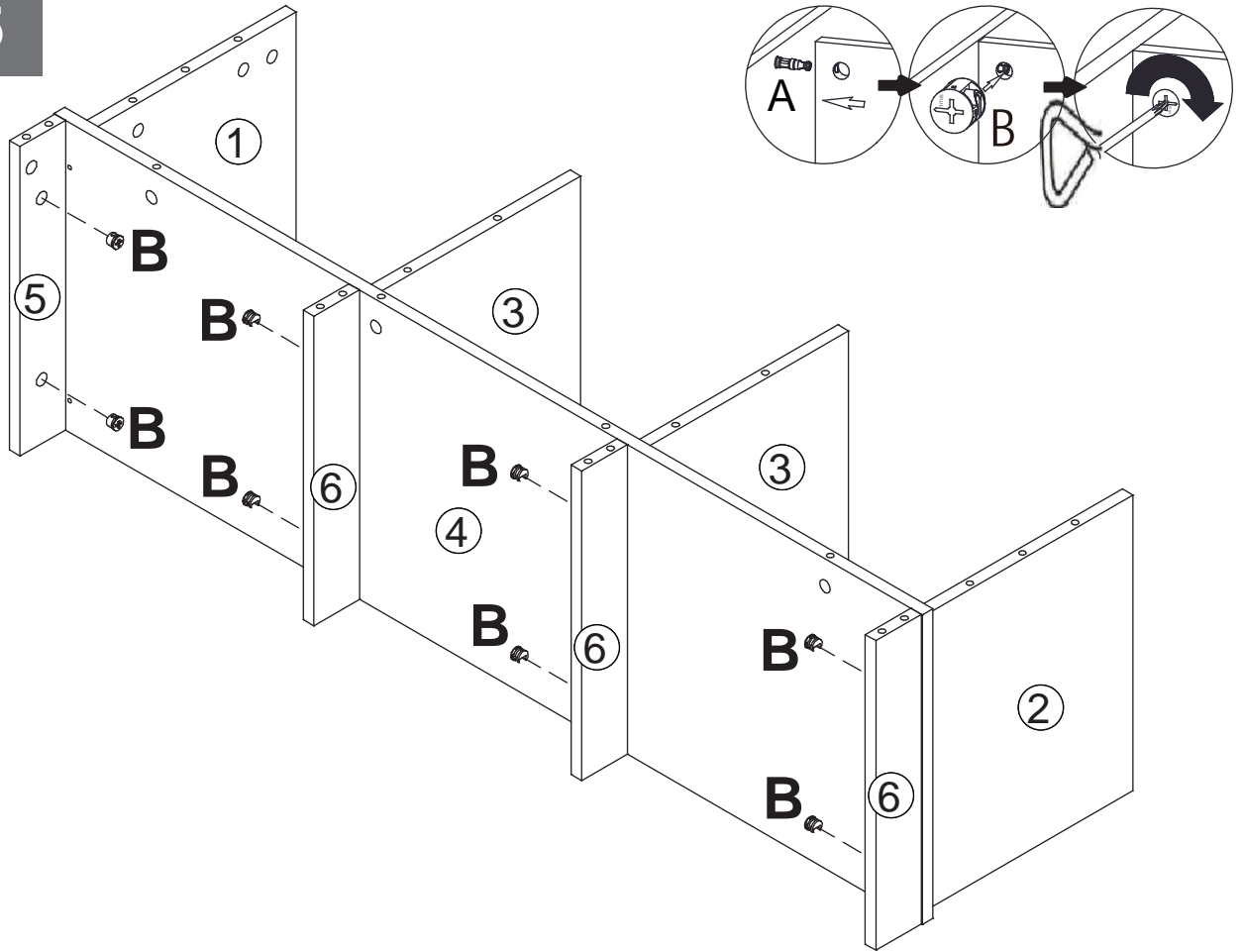
*Don't screw too deep



Step 4



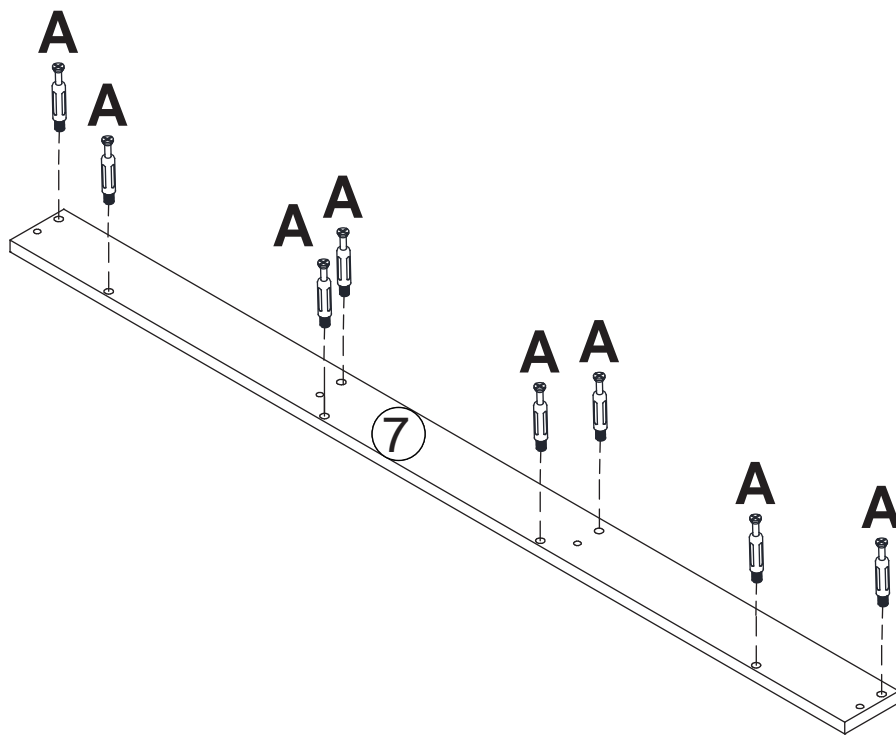
Step 5



B*8



Step 6



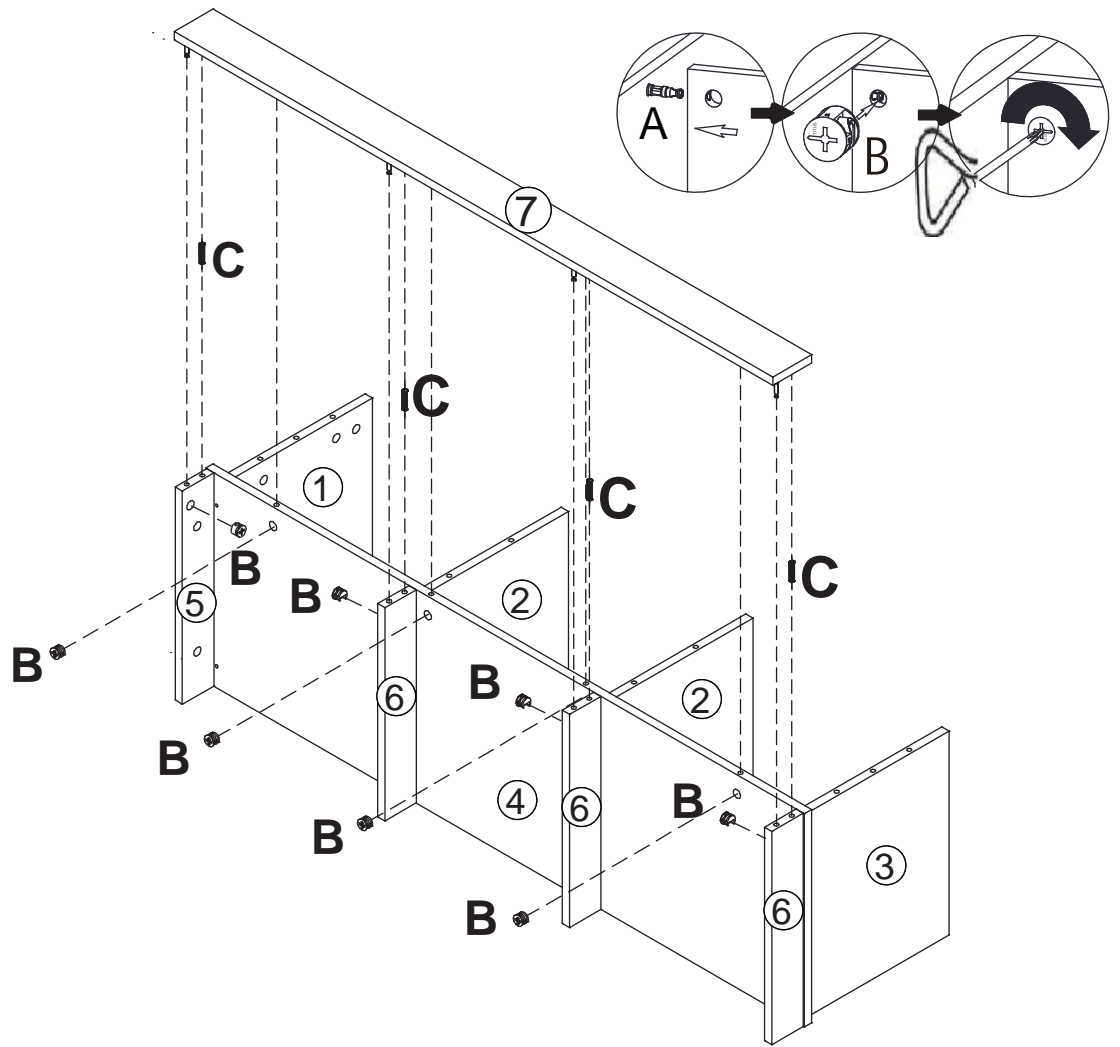
*Don't screw too deep



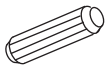
A*8



Step 7



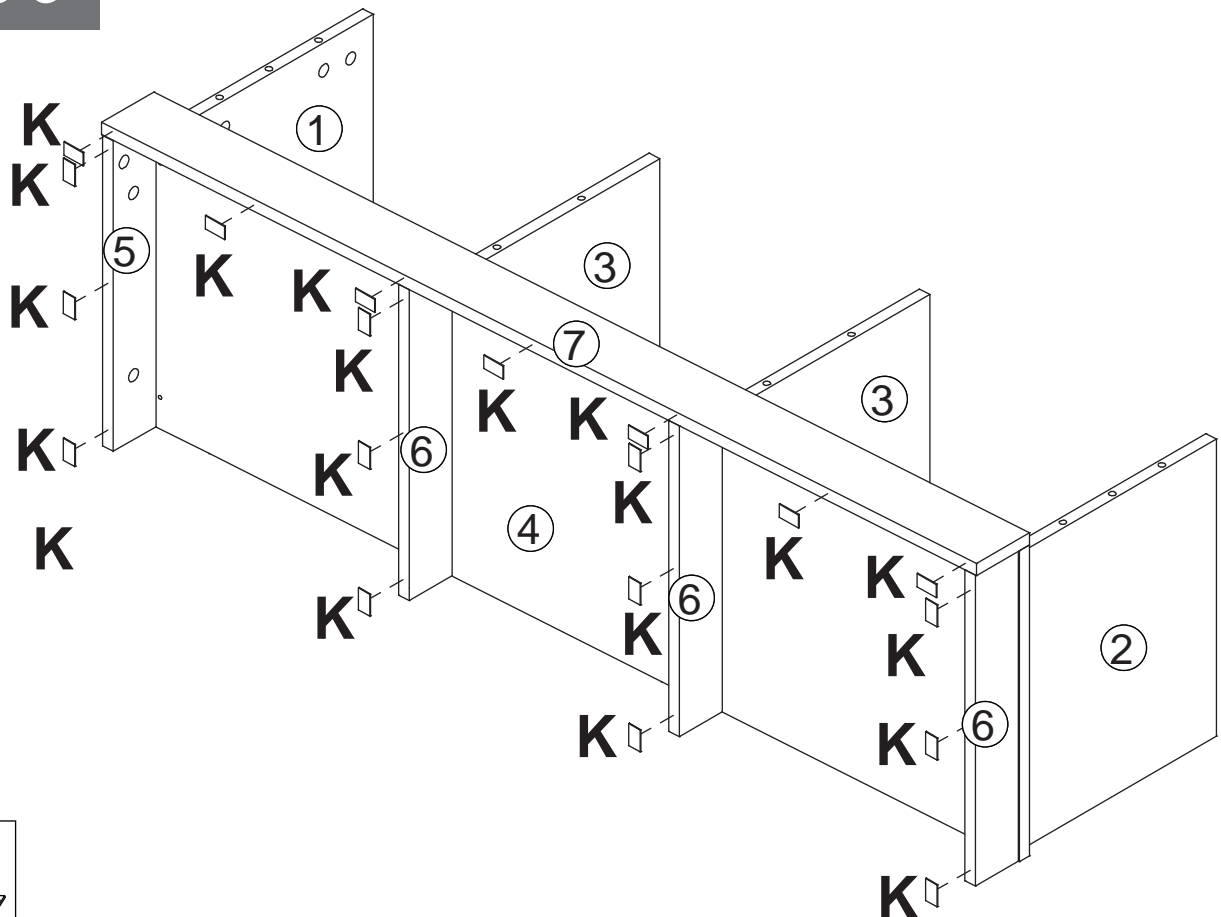
C*4



B*8



Step 8



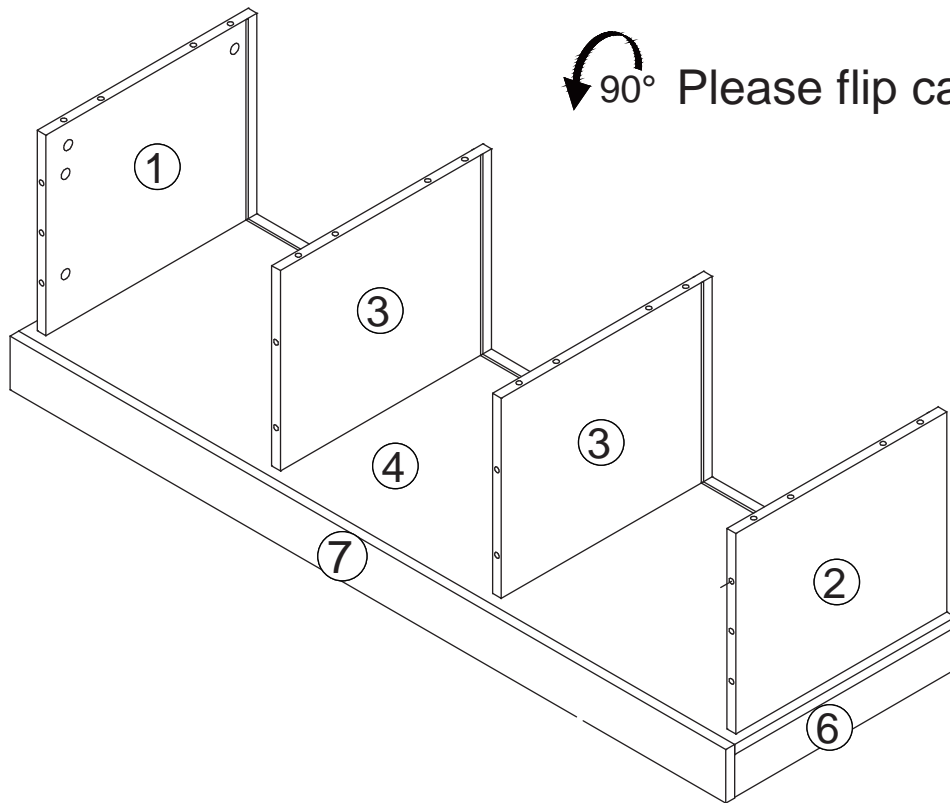
K*19



Step 9

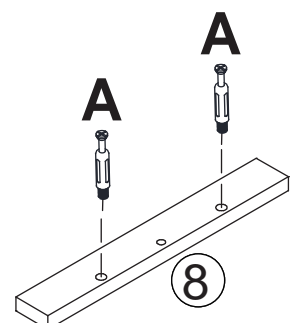
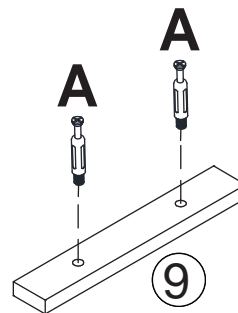
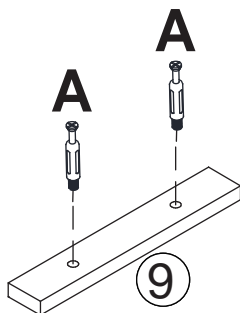
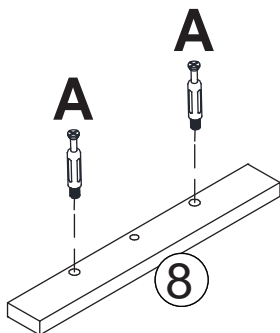
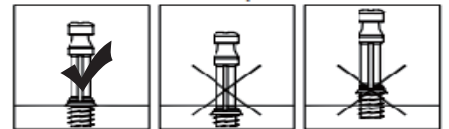
It's better if two people work together on this step.

 90° Please flip carefully!



Step 10

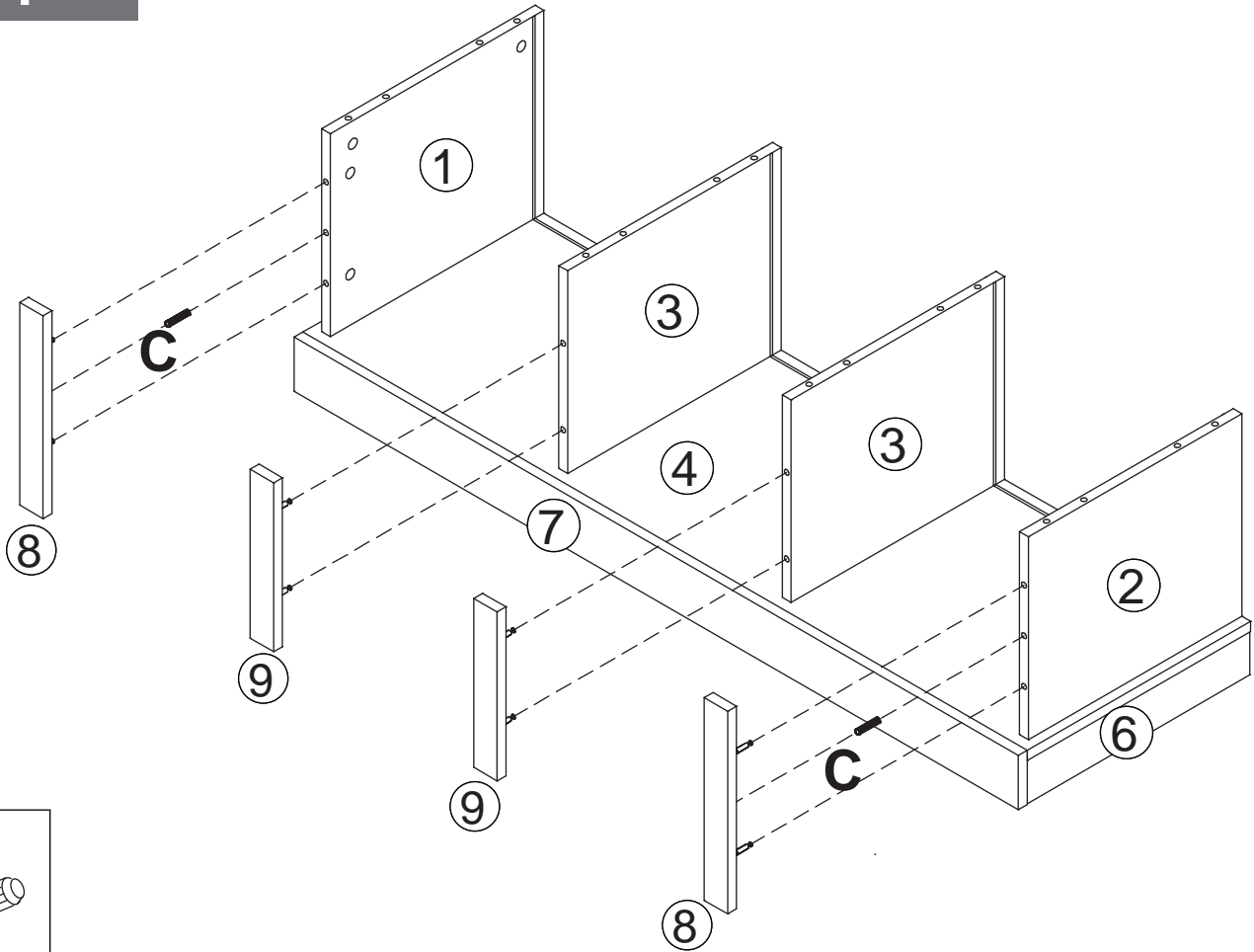
*Don't screw too deep



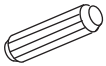
A*8



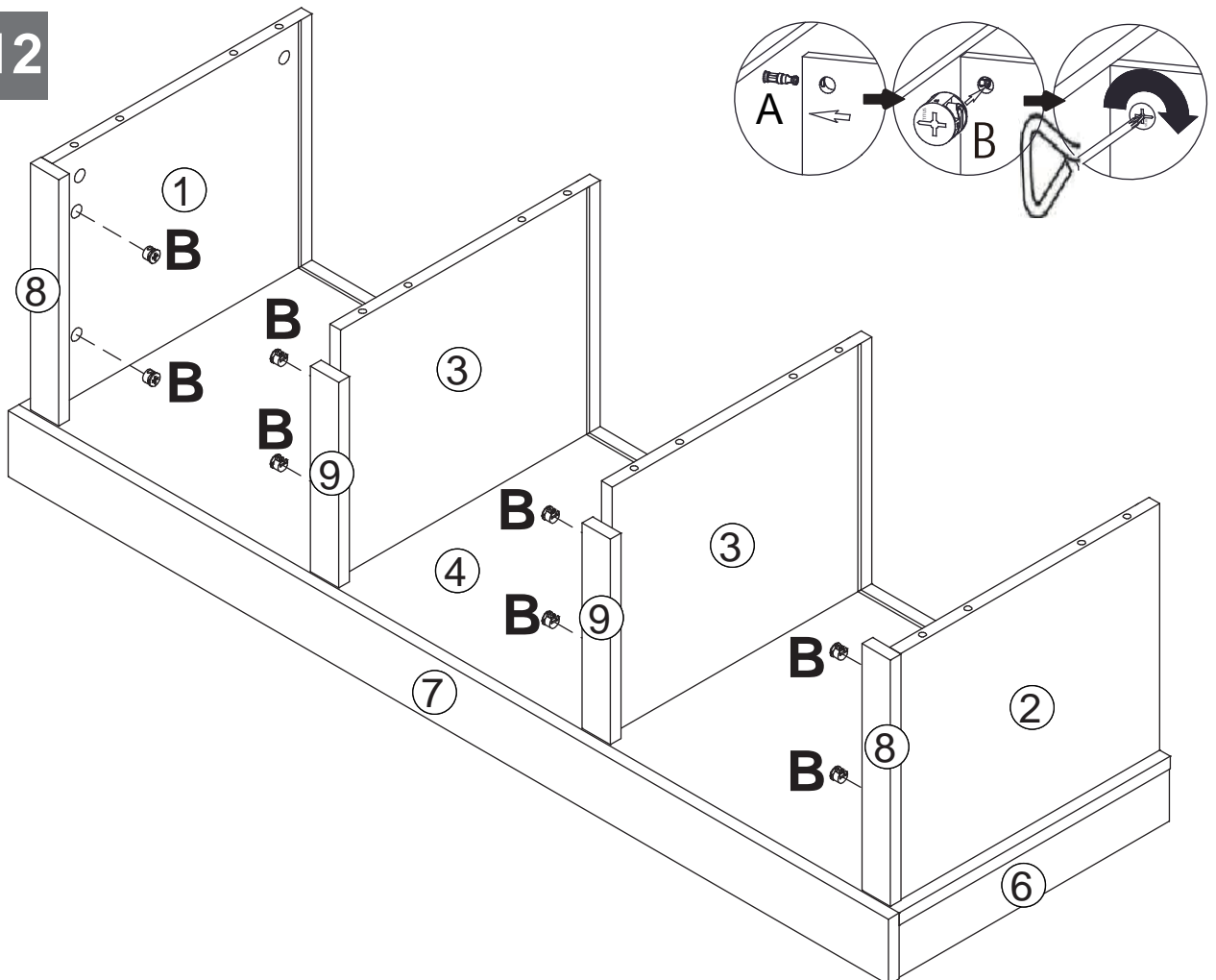
Step 11



C*2



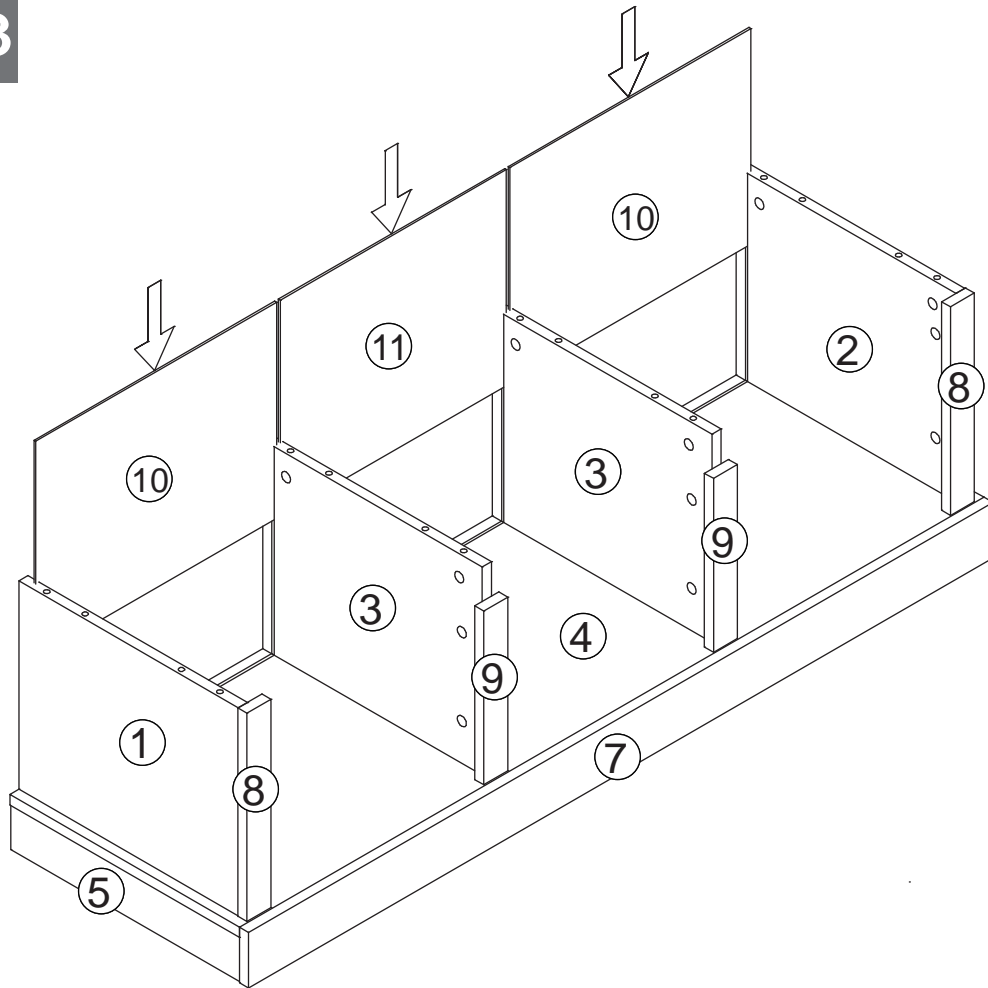
Step 12



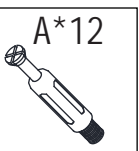
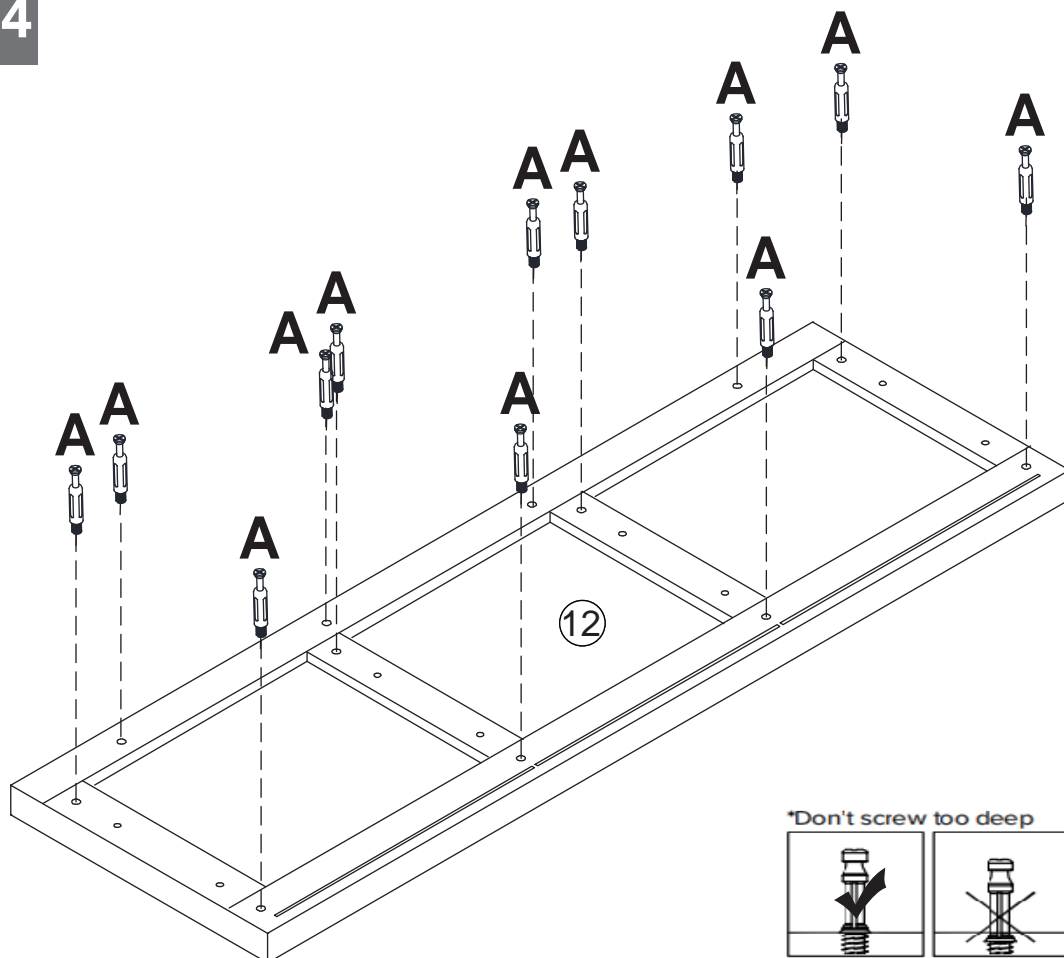
B*8



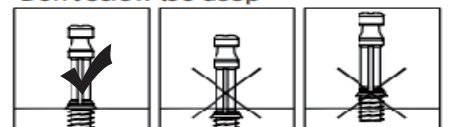
Step 13



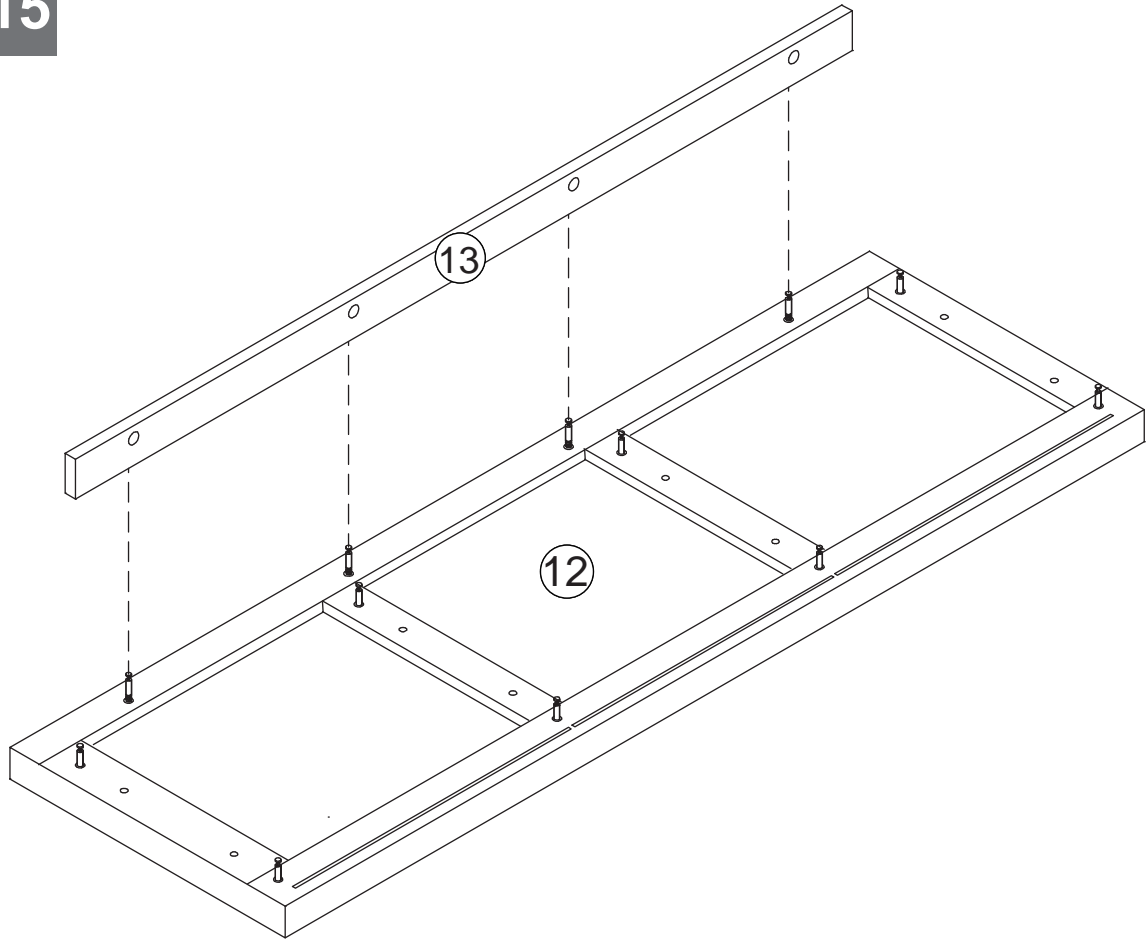
Step 14



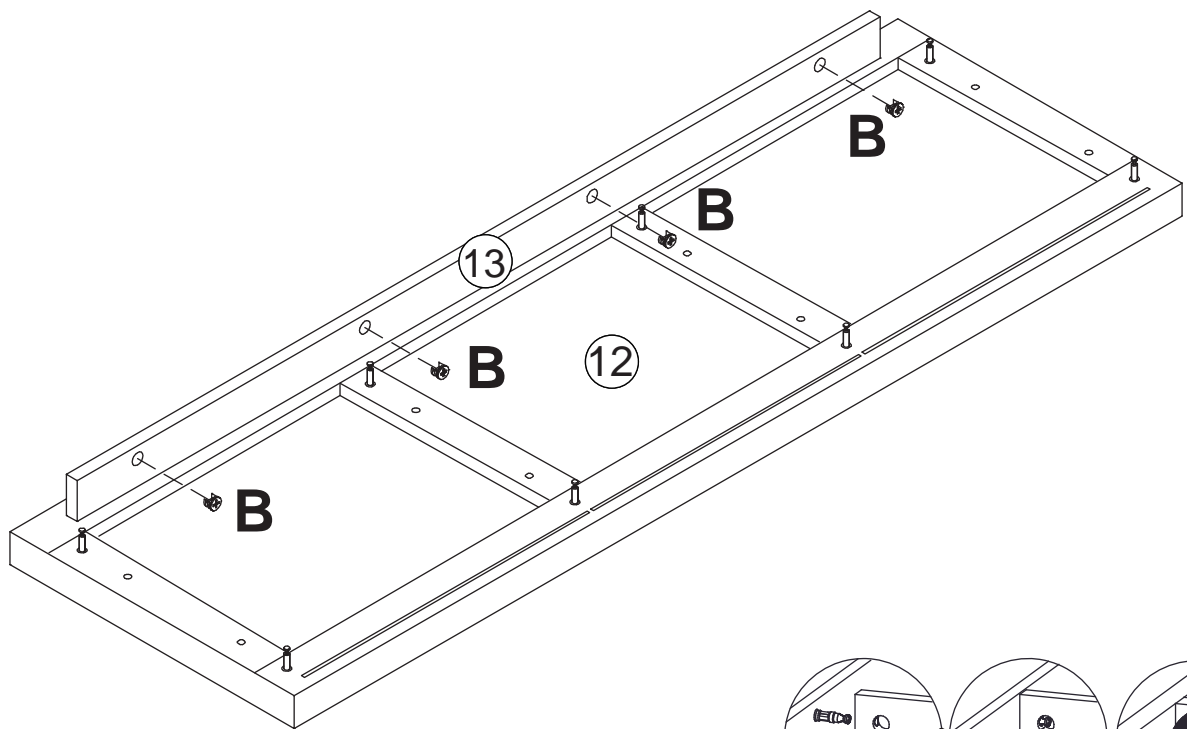
Don't screw too deep



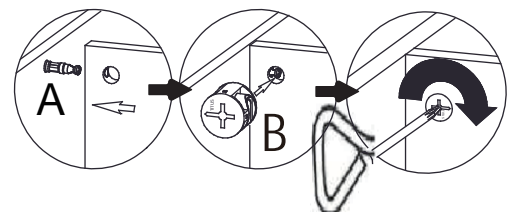
Step 15



Step 16



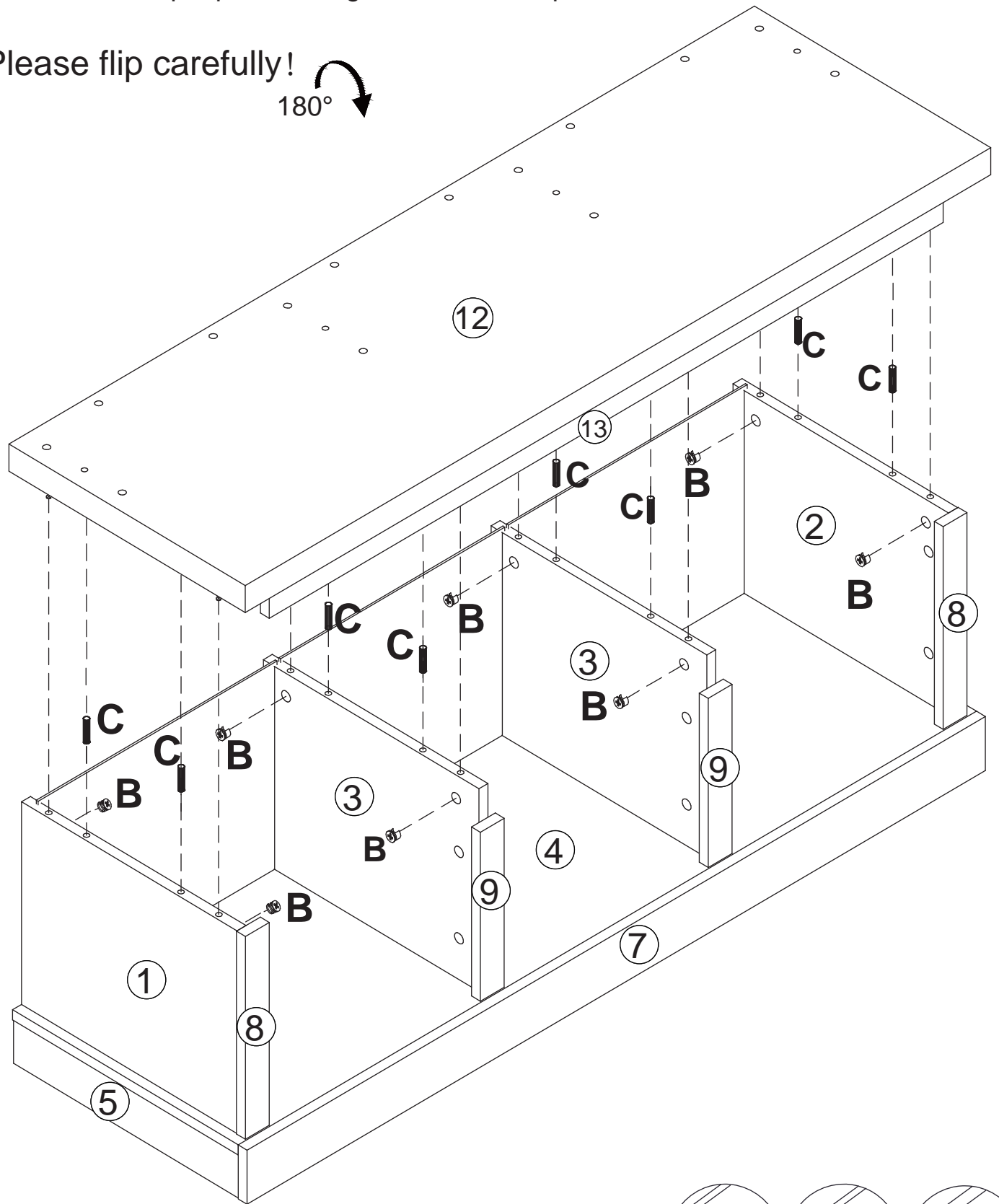
B*4



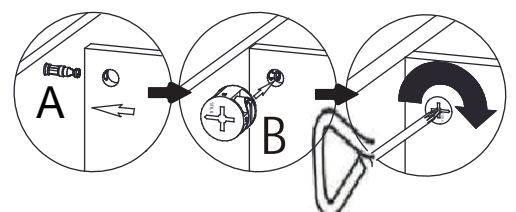
Step 17

It's better if two people work together on this step.

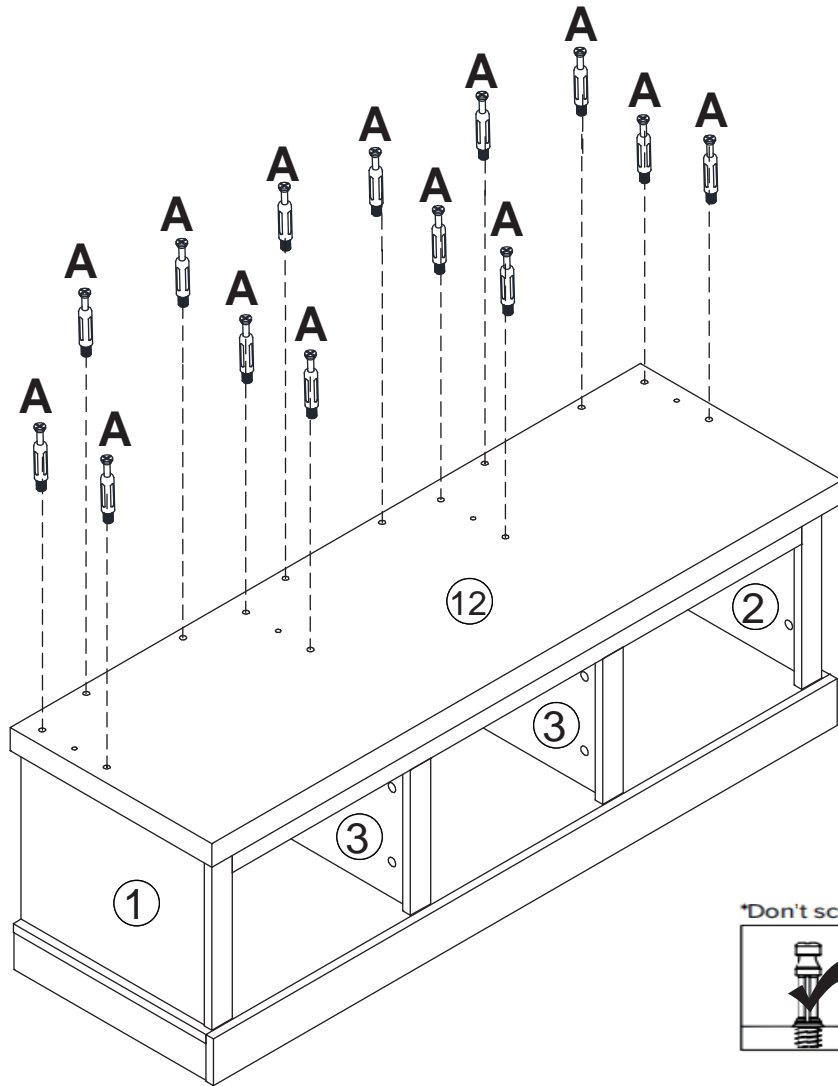
Please flip carefully!



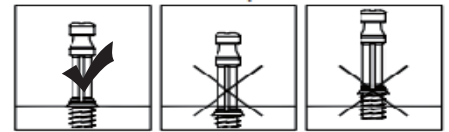
C*8	B*8



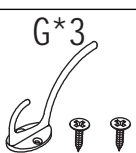
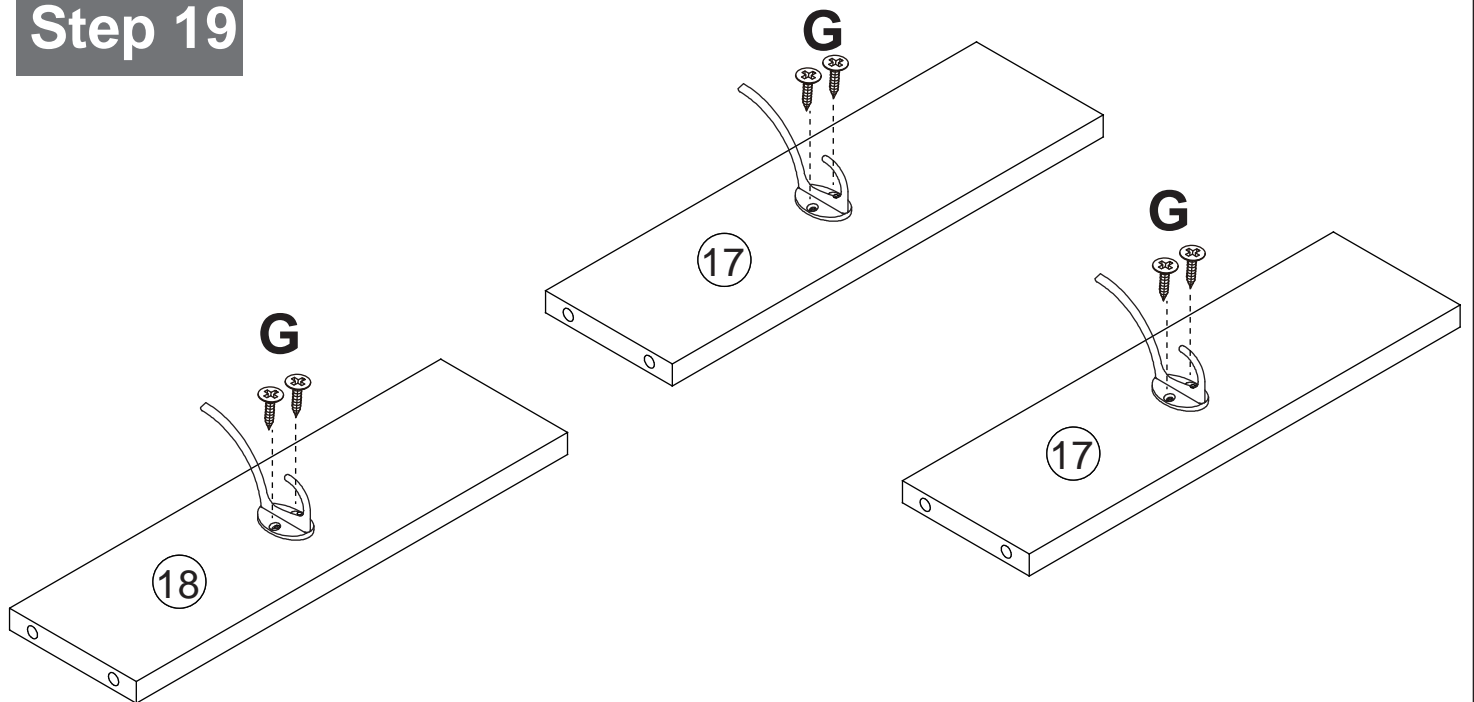
Step 18



*Don't screw too deep

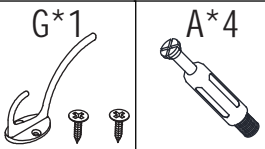
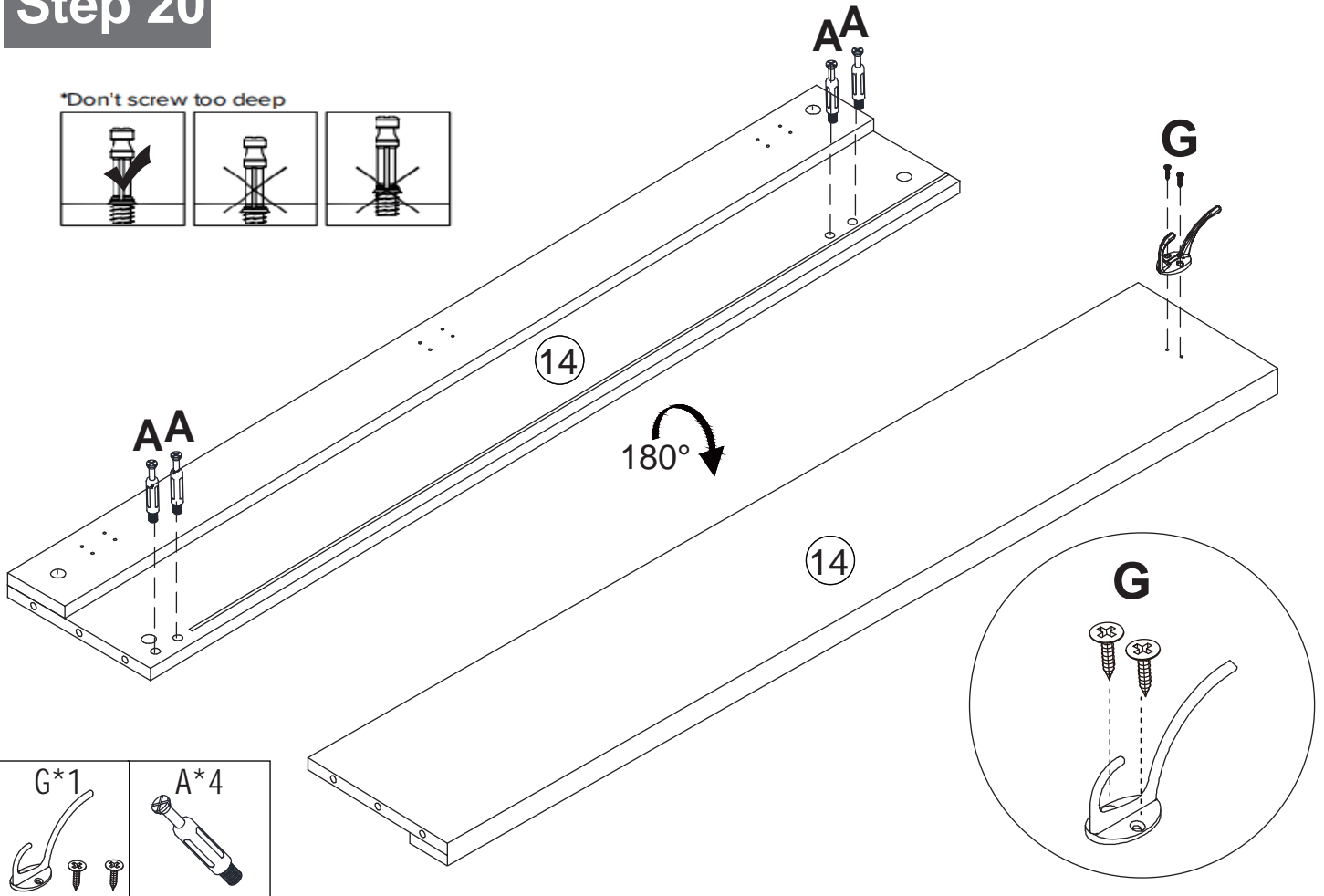
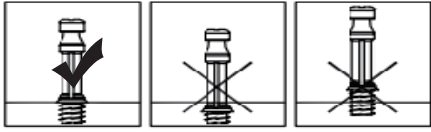


Step 19



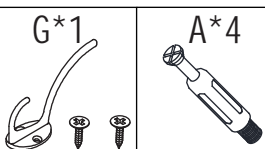
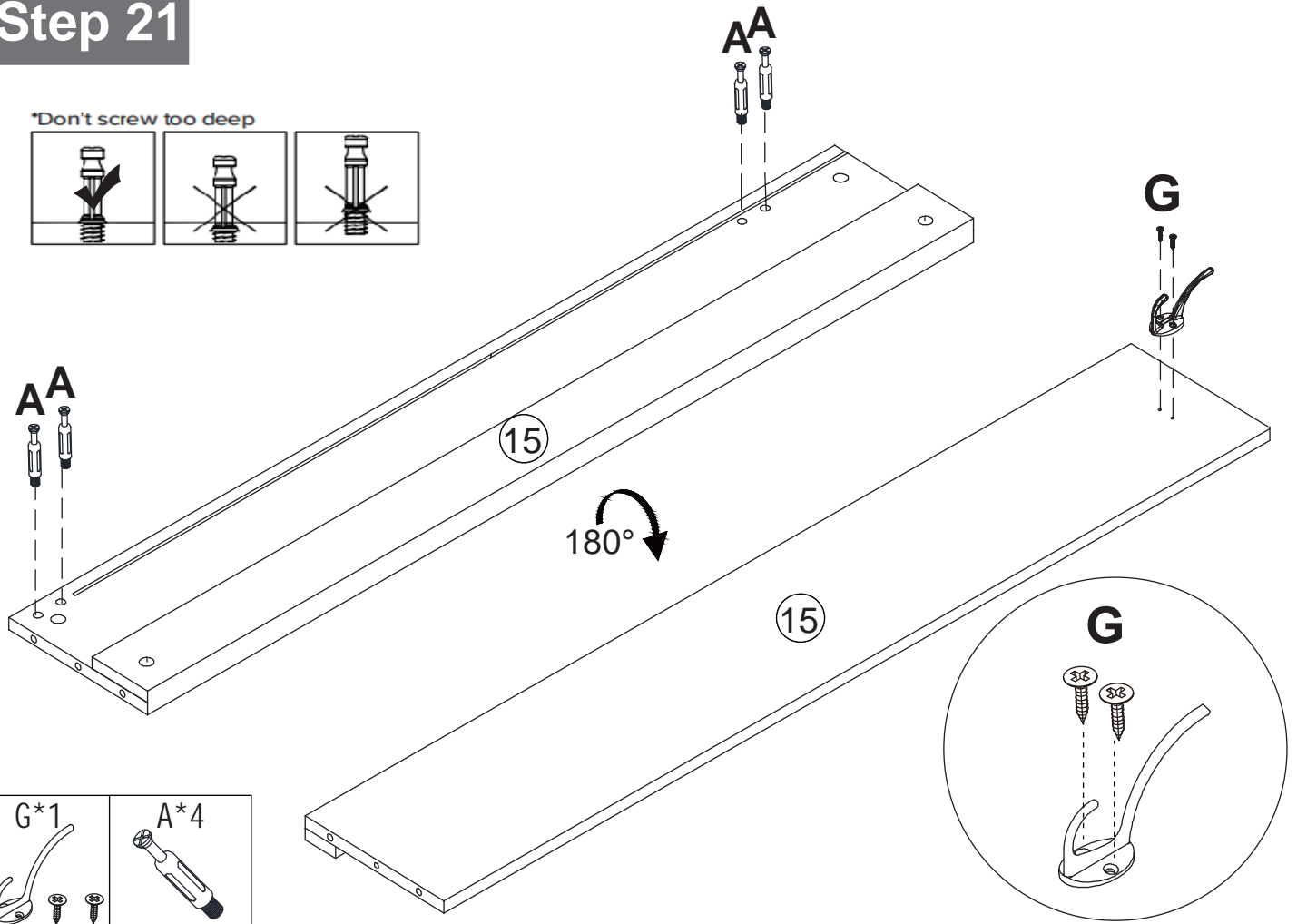
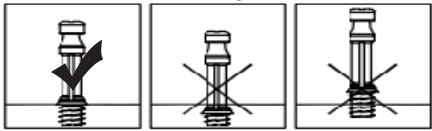
Step 20

*Don't screw too deep

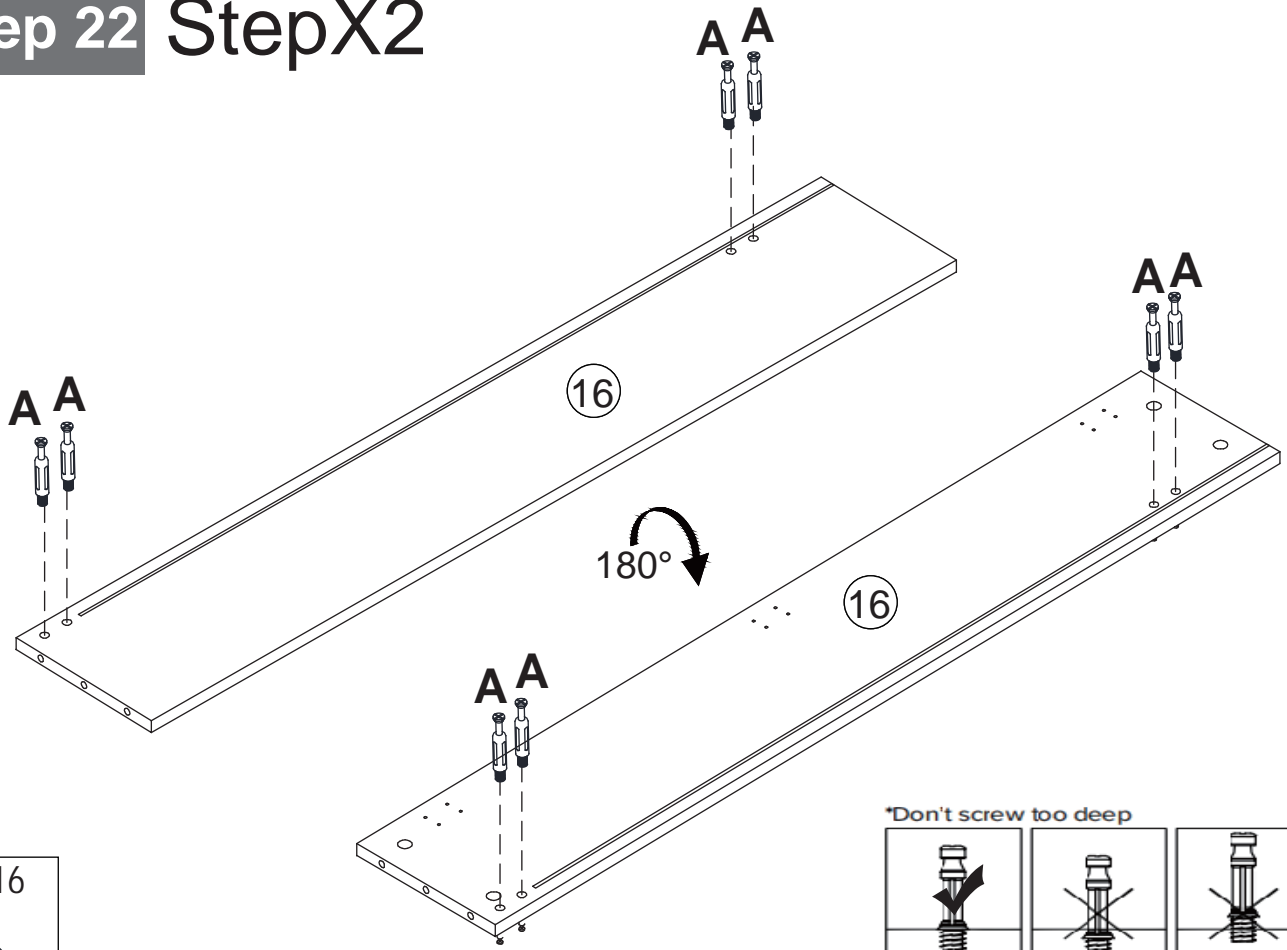


Step 21

*Don't screw too deep

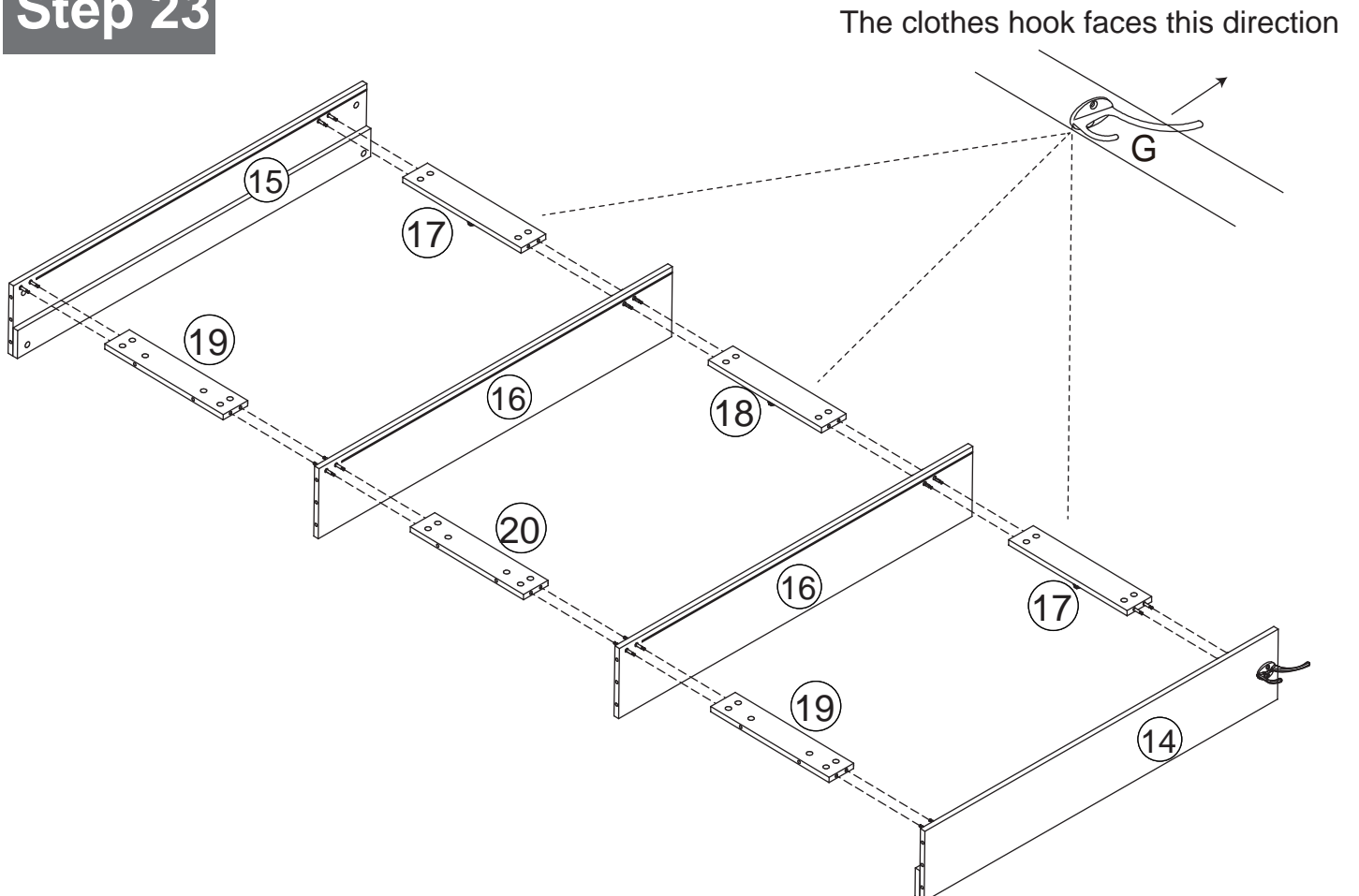


Step 22 StepX2

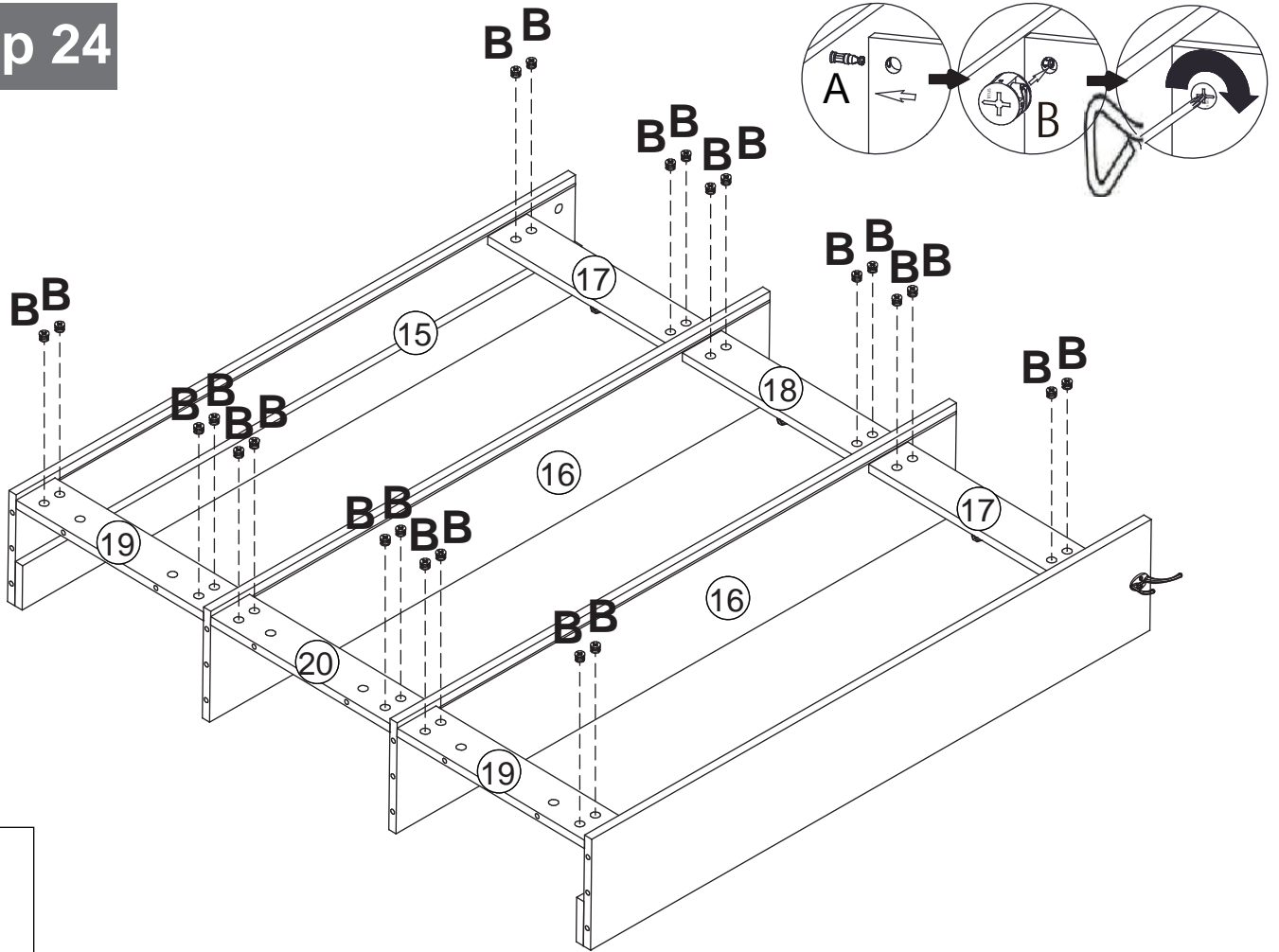


A*16

Step 23



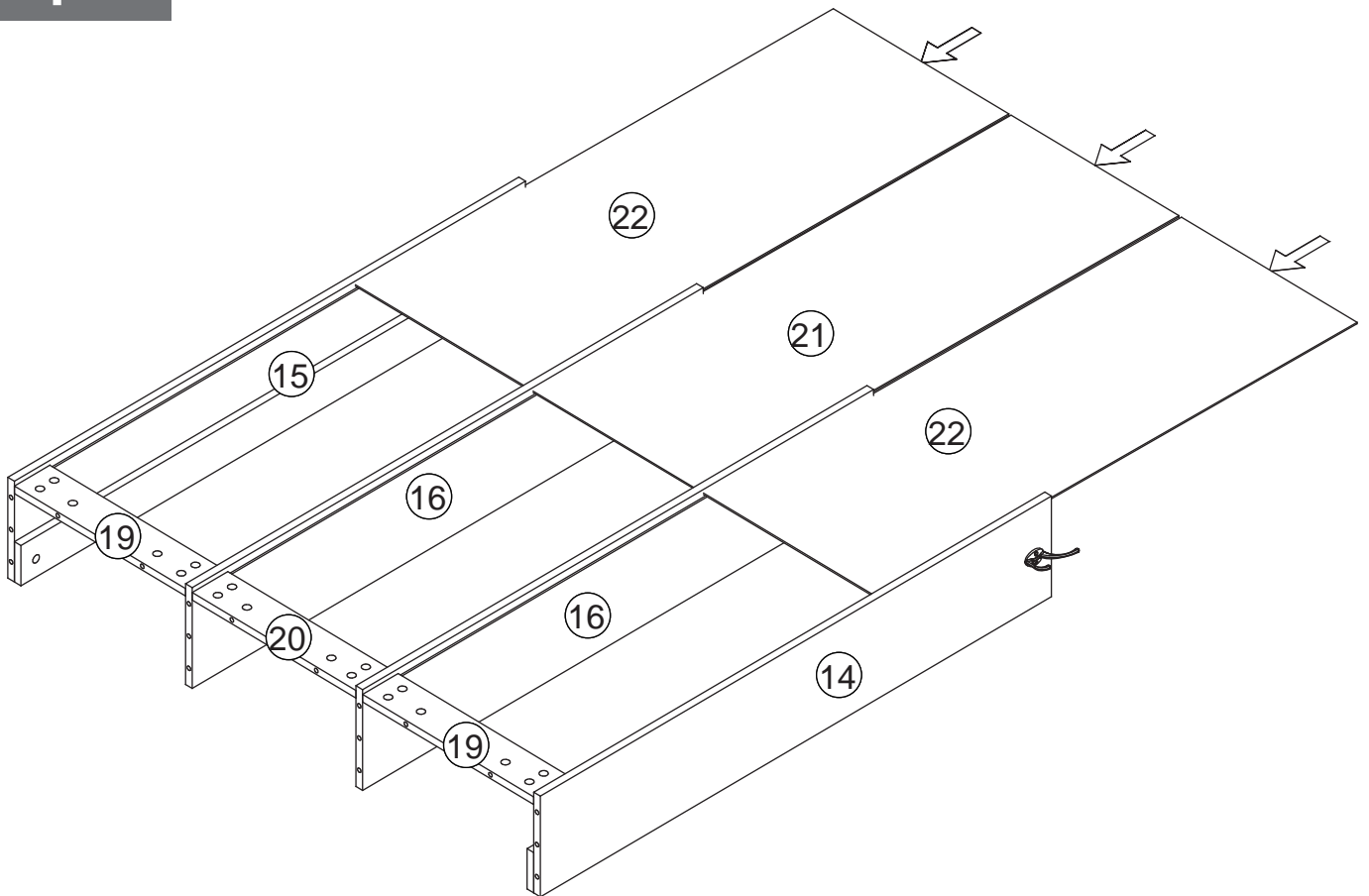
Step 24



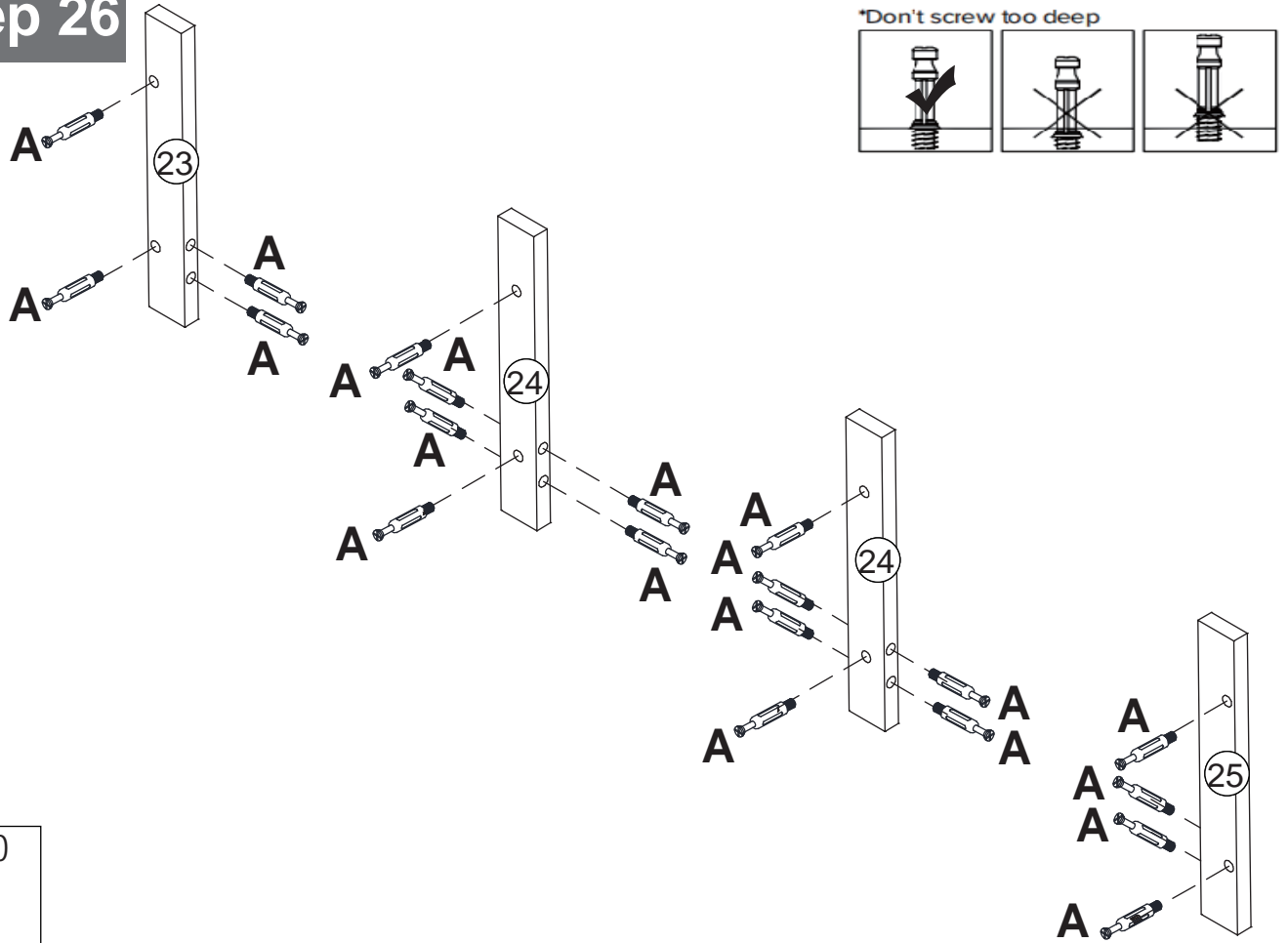
B*24



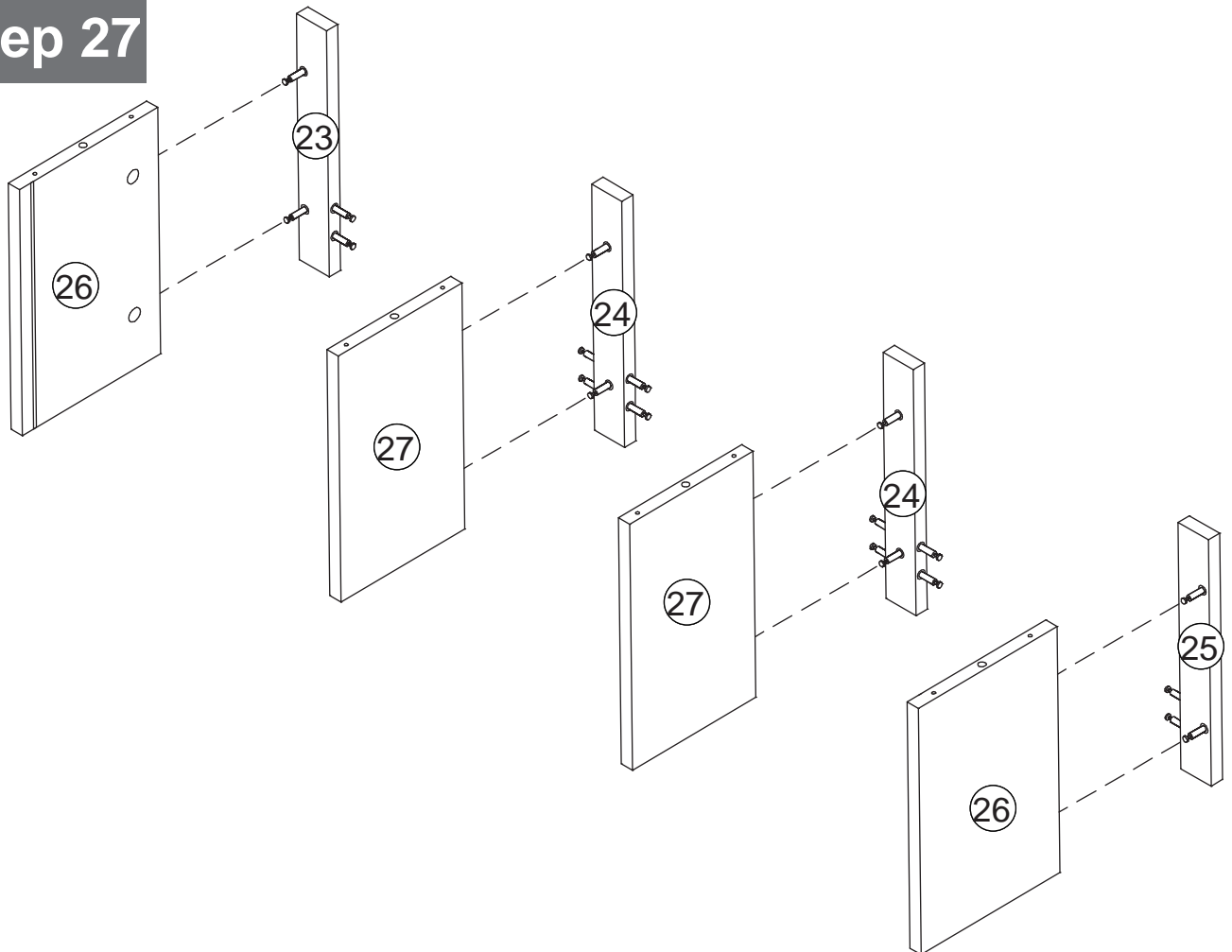
Step 25



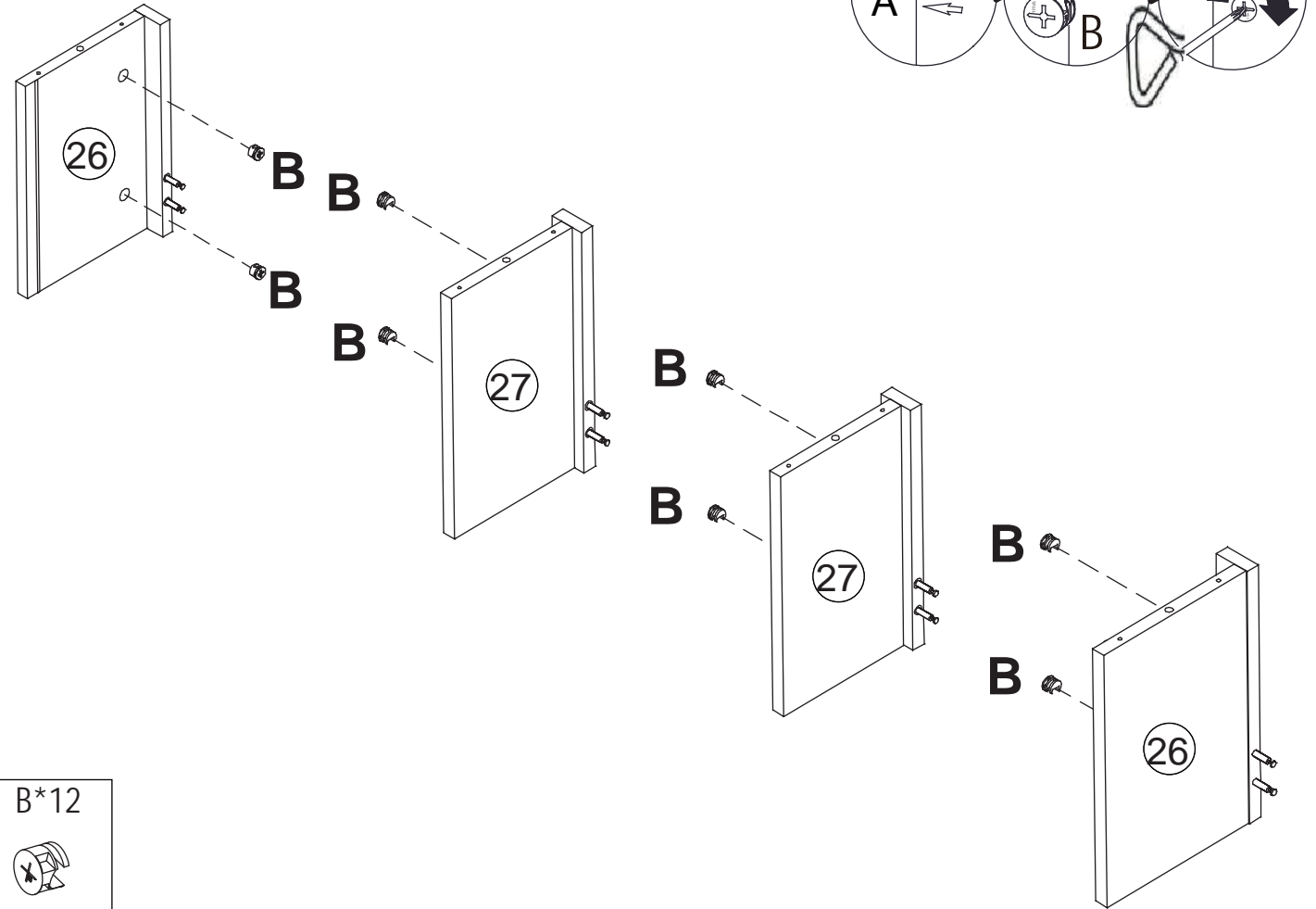
Step 26



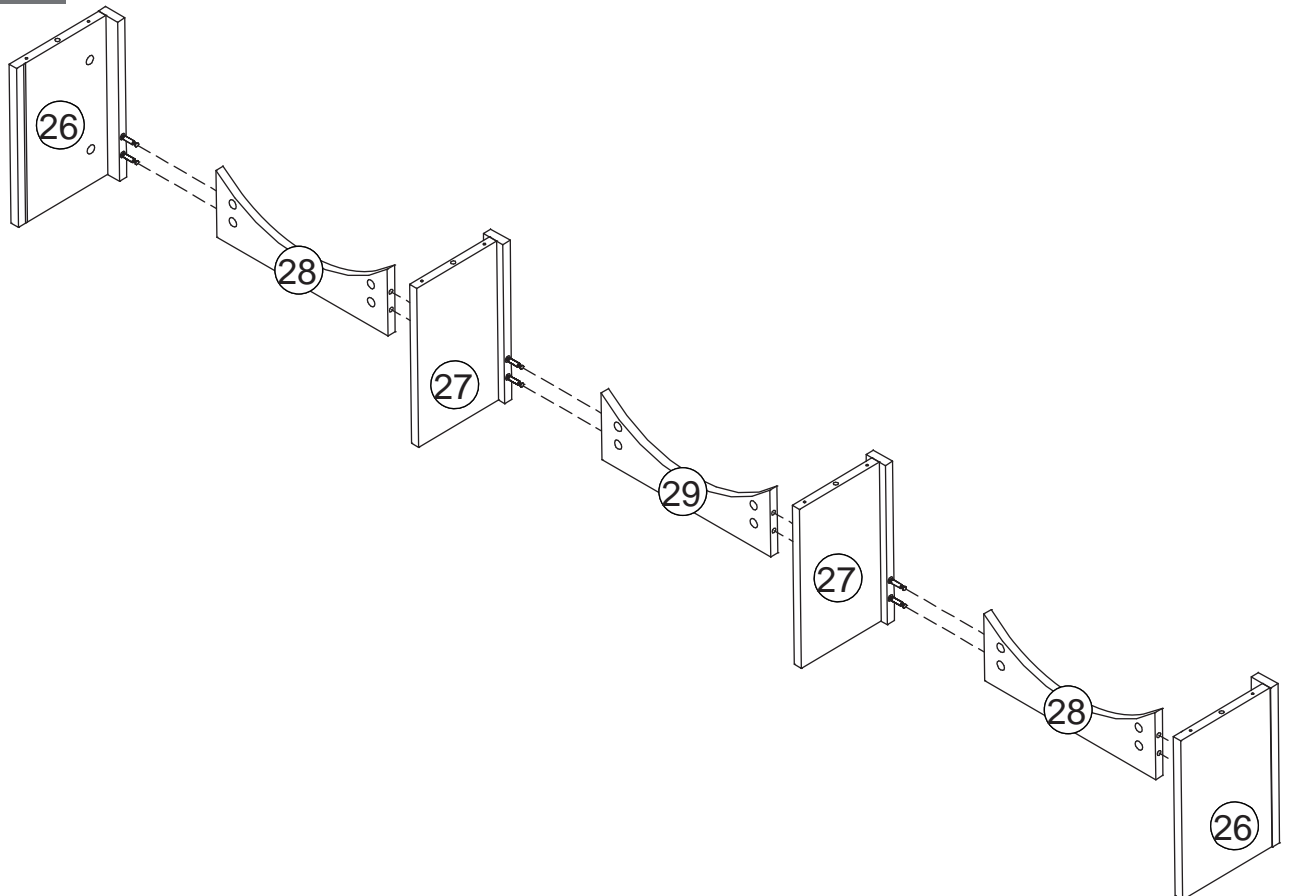
Step 27



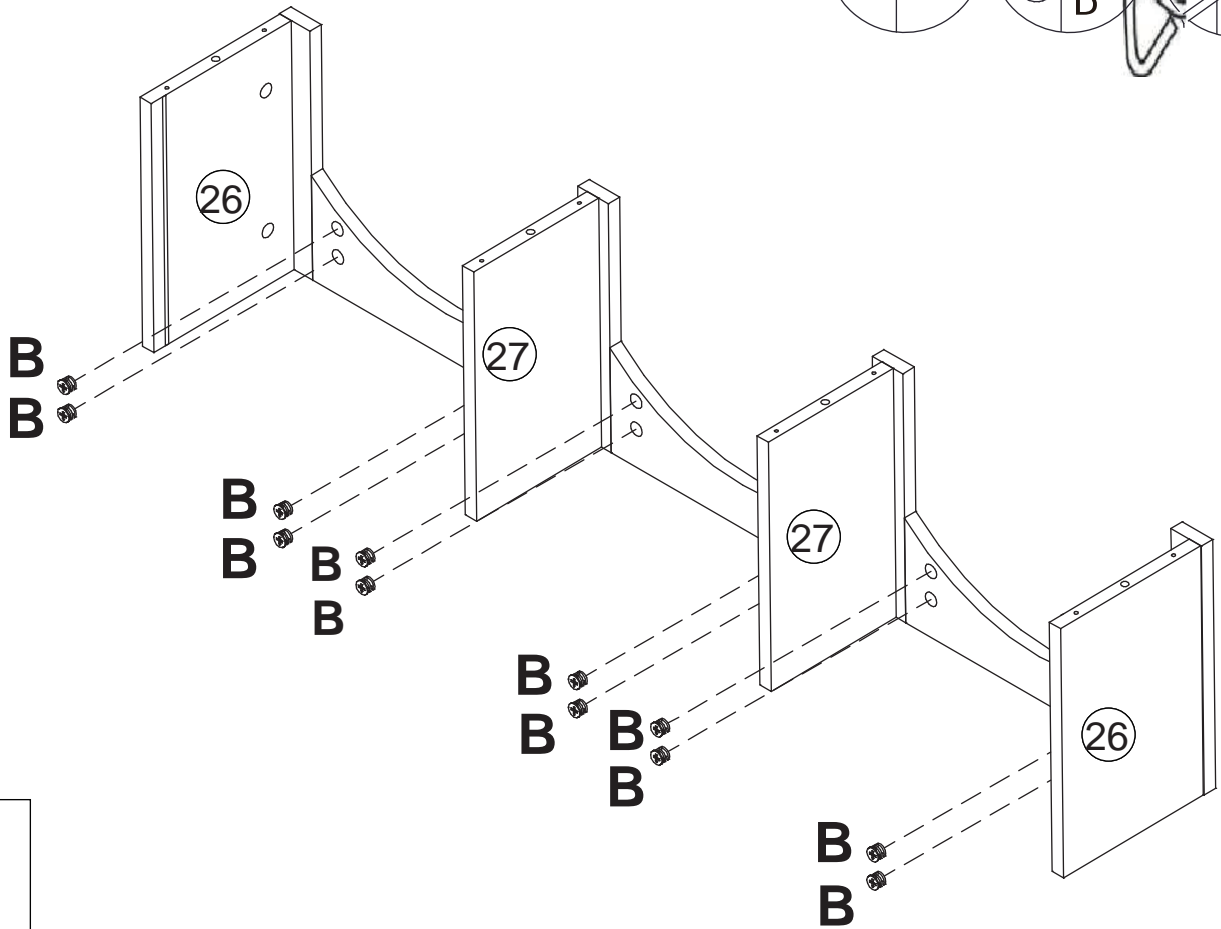
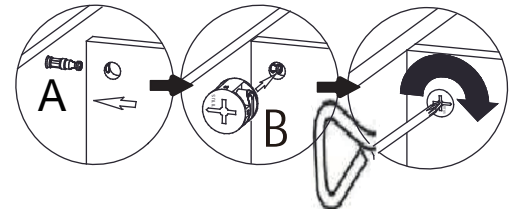
Step 28



Step 29



Step 30

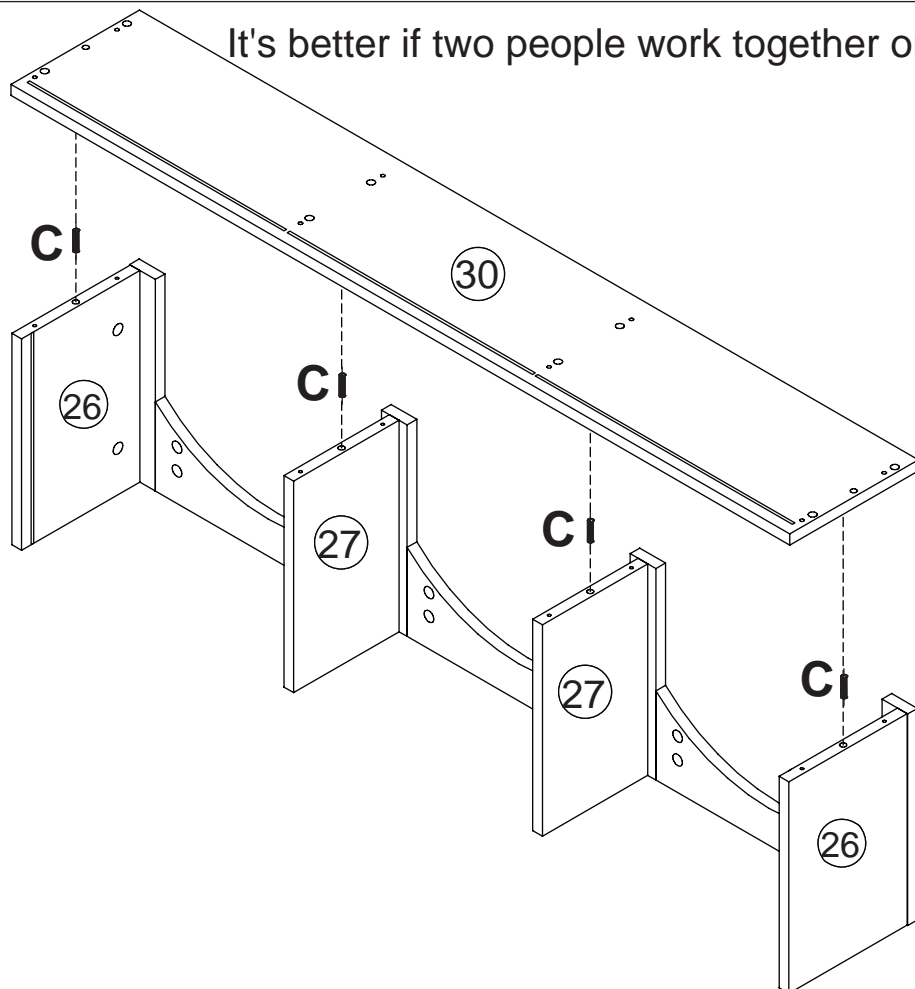


B*12



Step 31

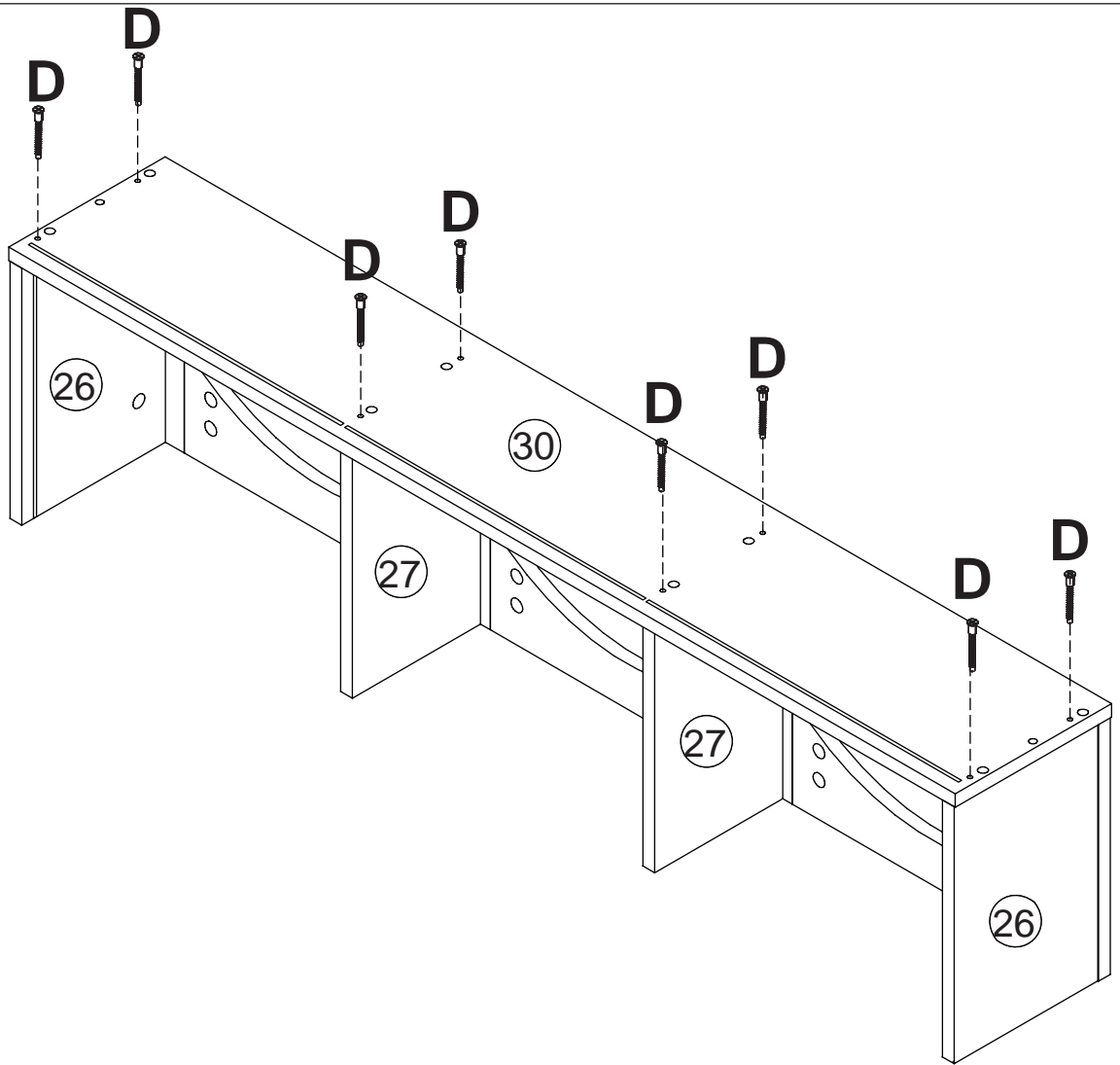
It's better if two people work together on this step.



C*4

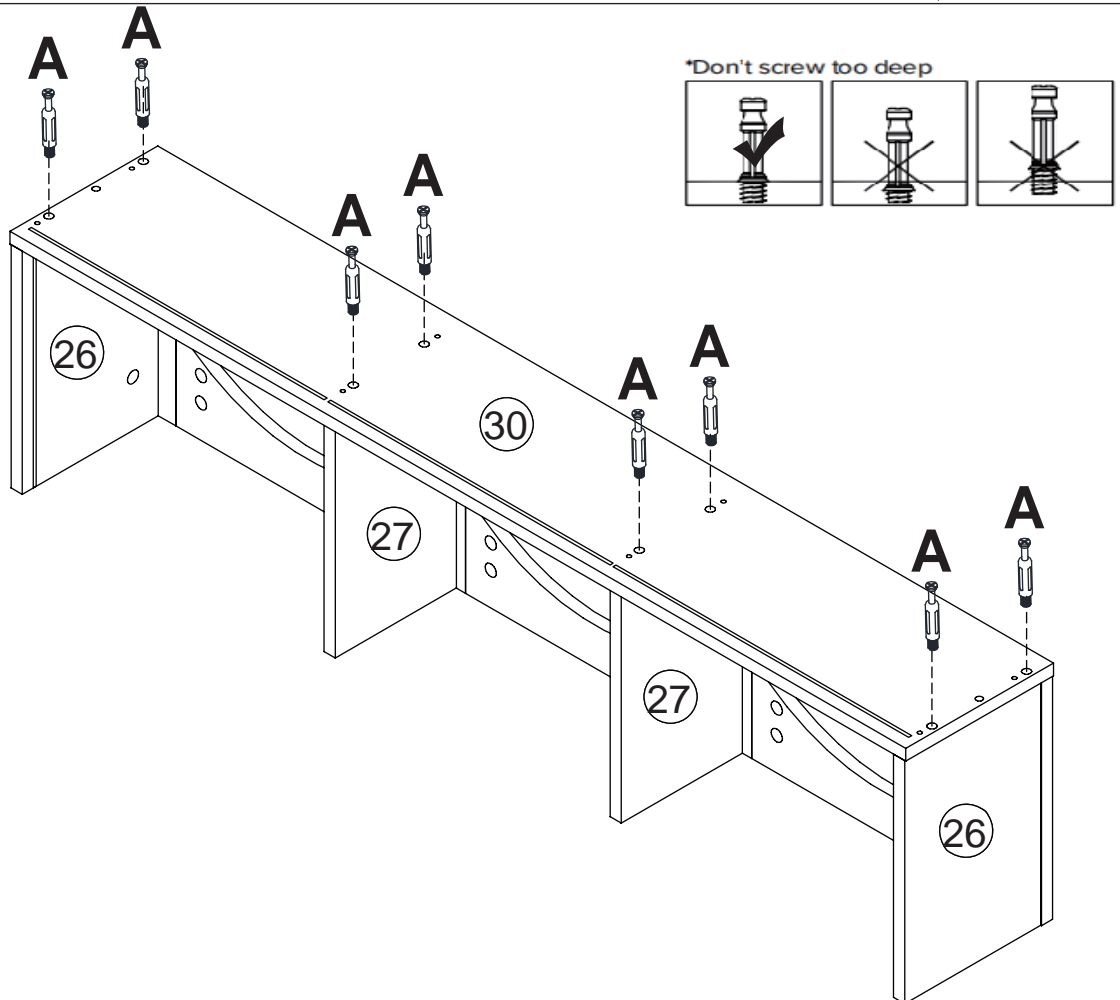


Step 32



D*8

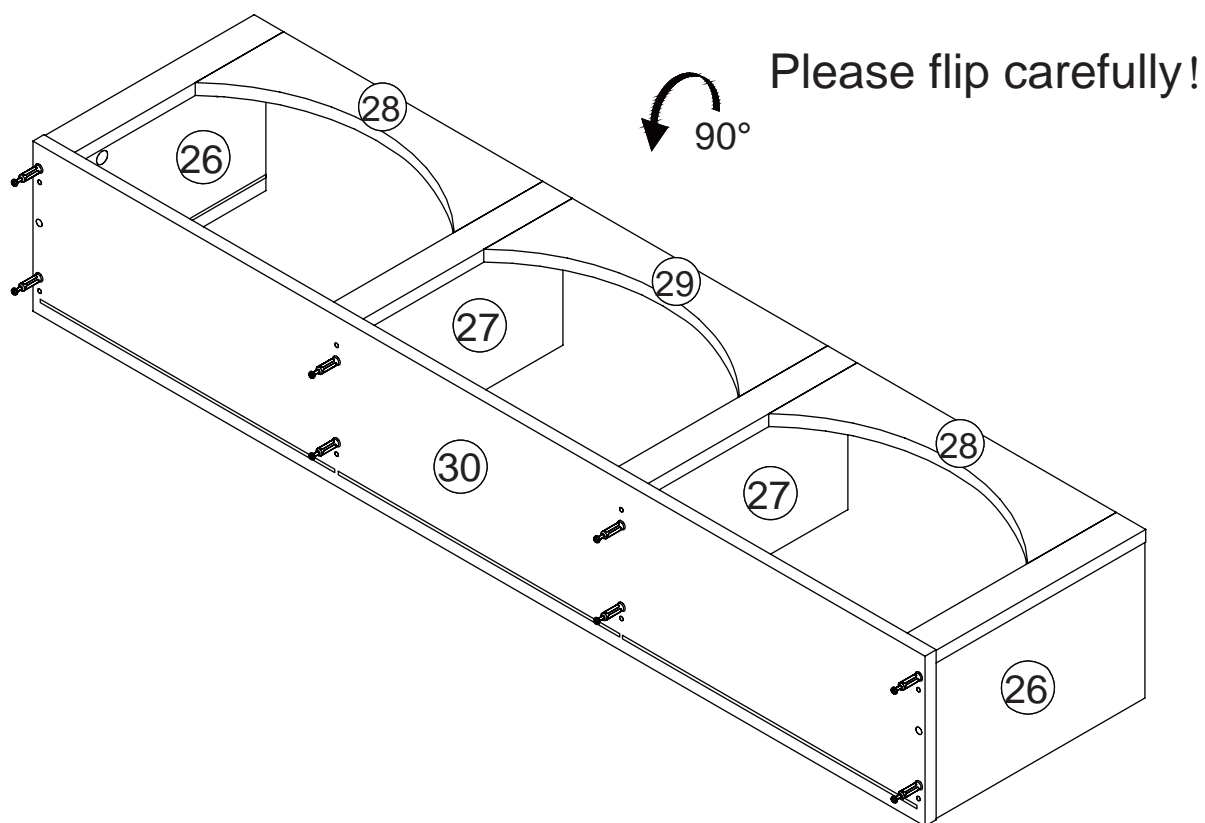
Step 33



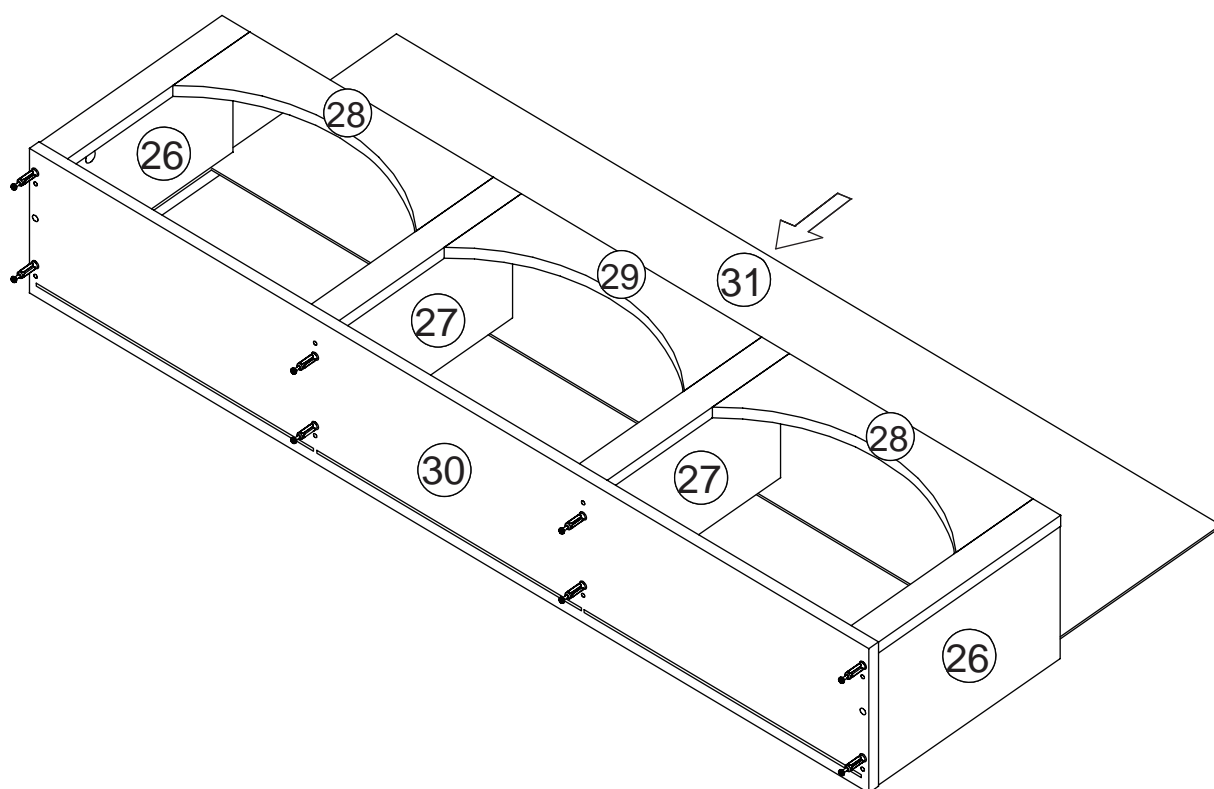
*Don't screw too deep

A*8

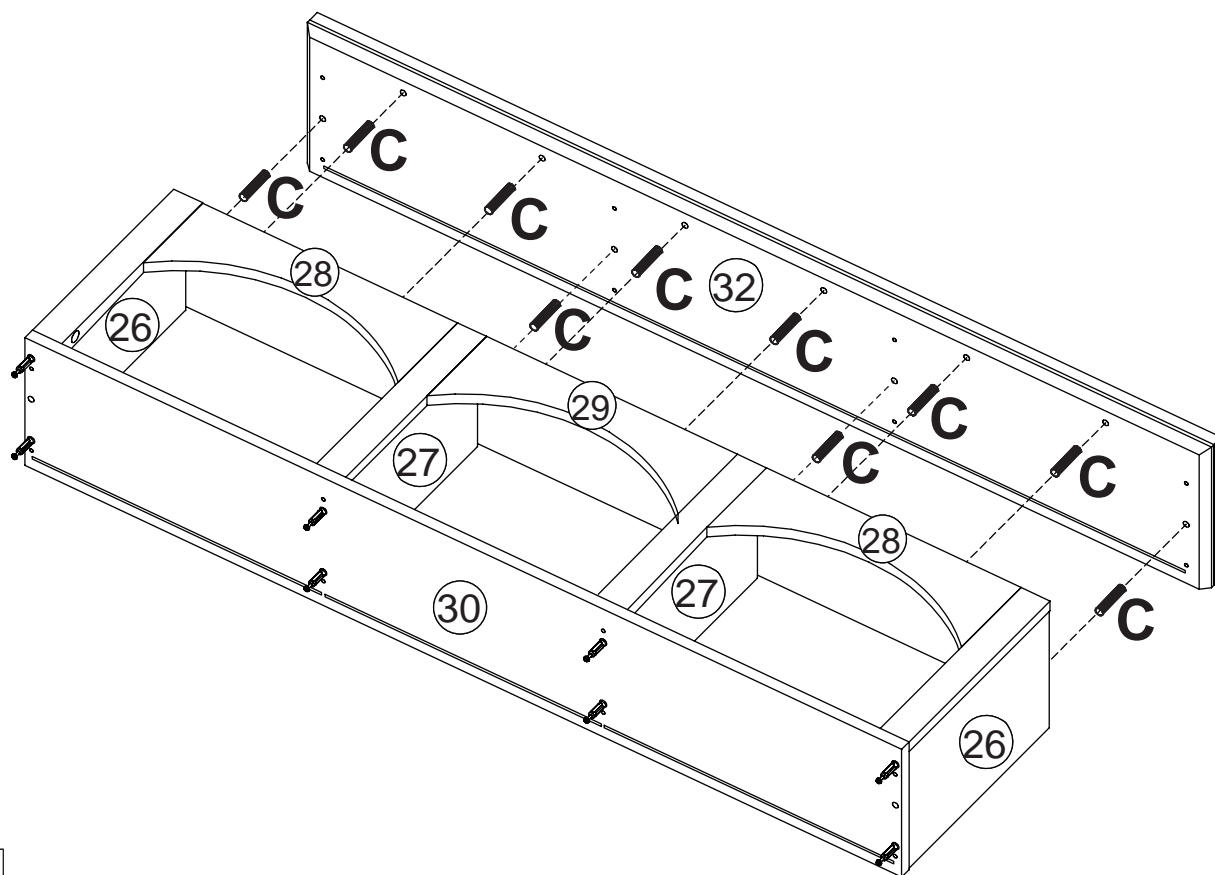
Step 34



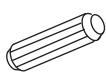
Step 35



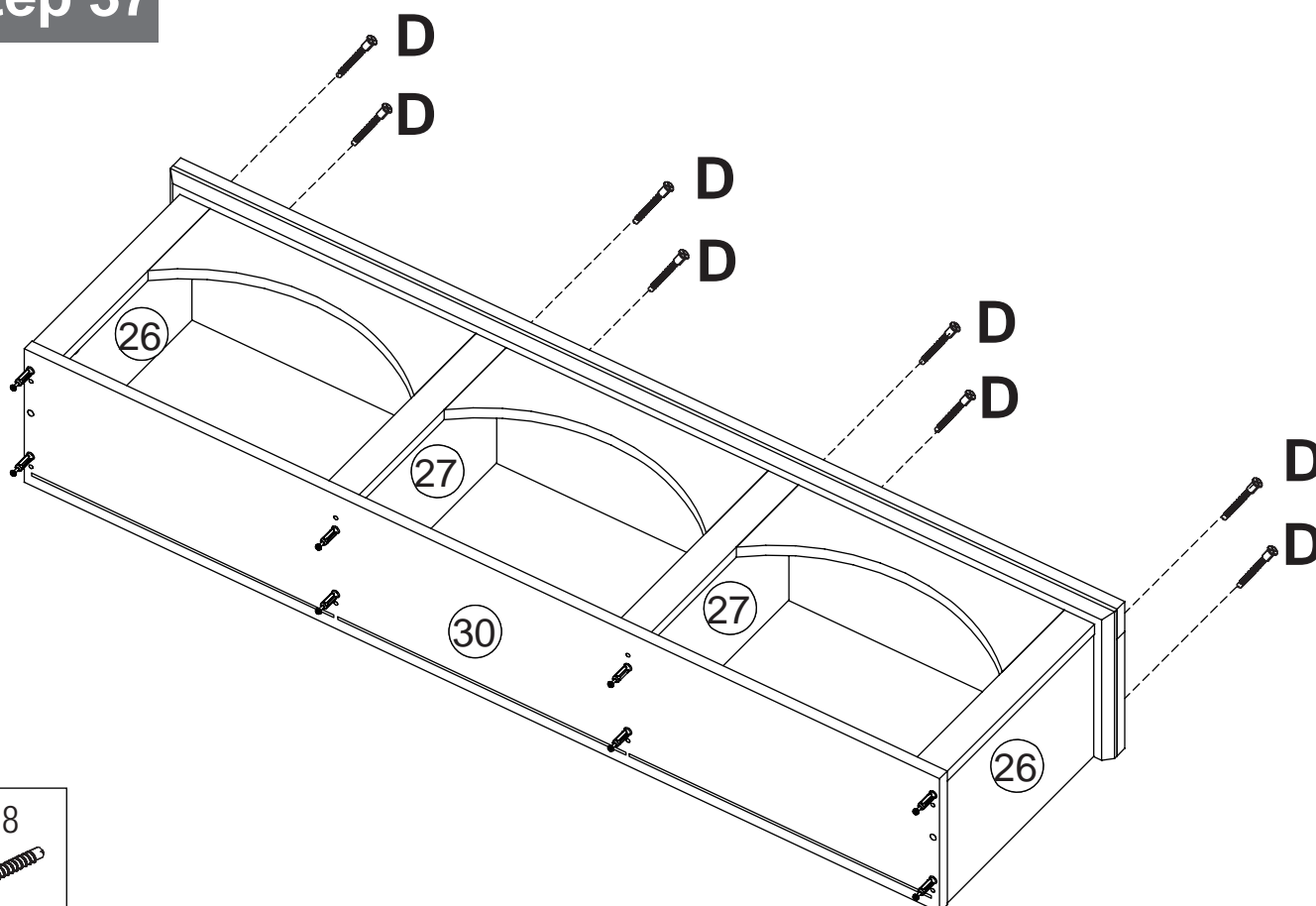
Step 36



C*10



Step 37



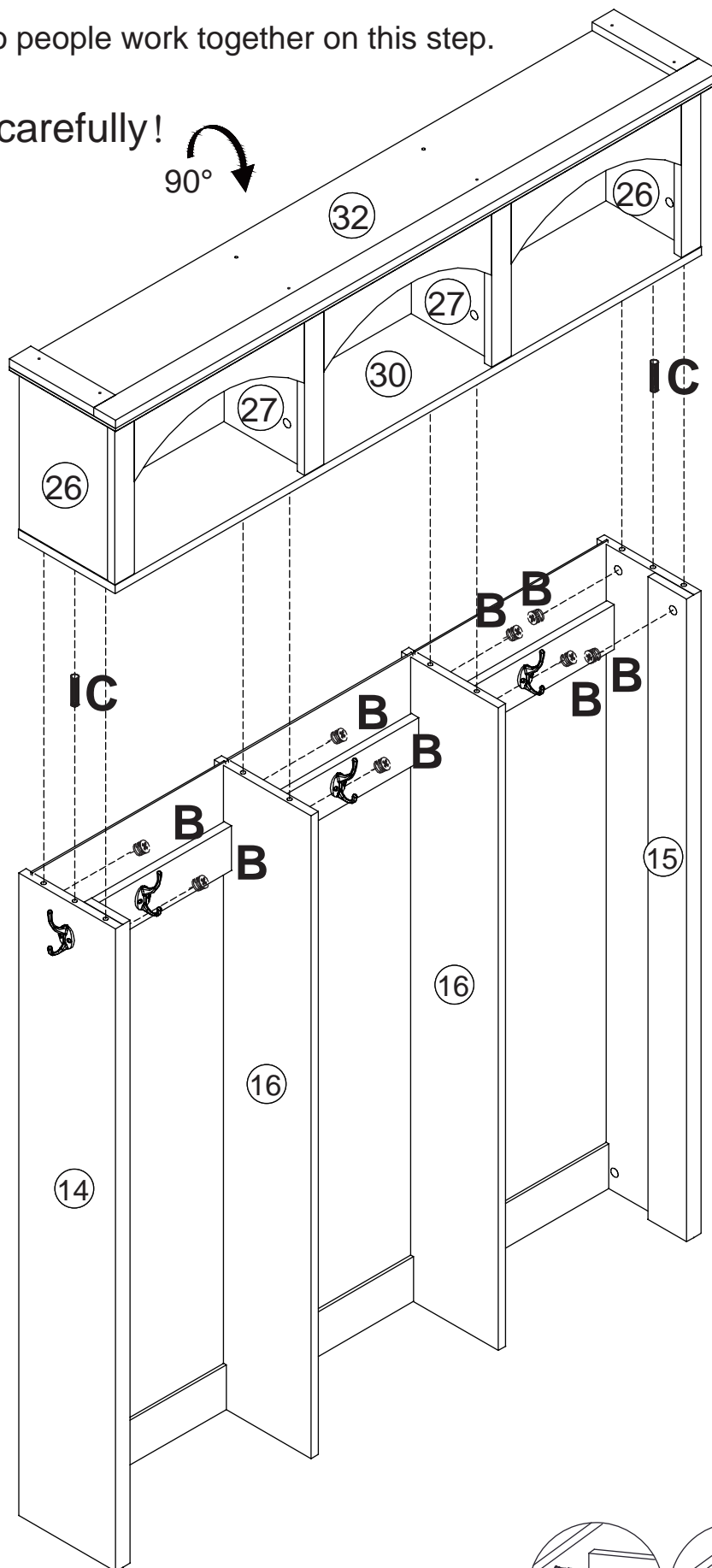
D*8



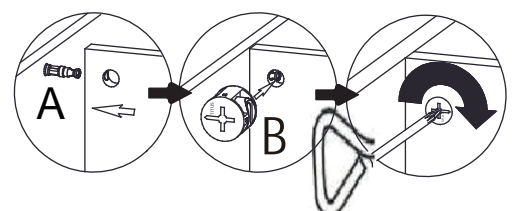
Step 38

It's better if two people work together on this step.

Please flip carefully!

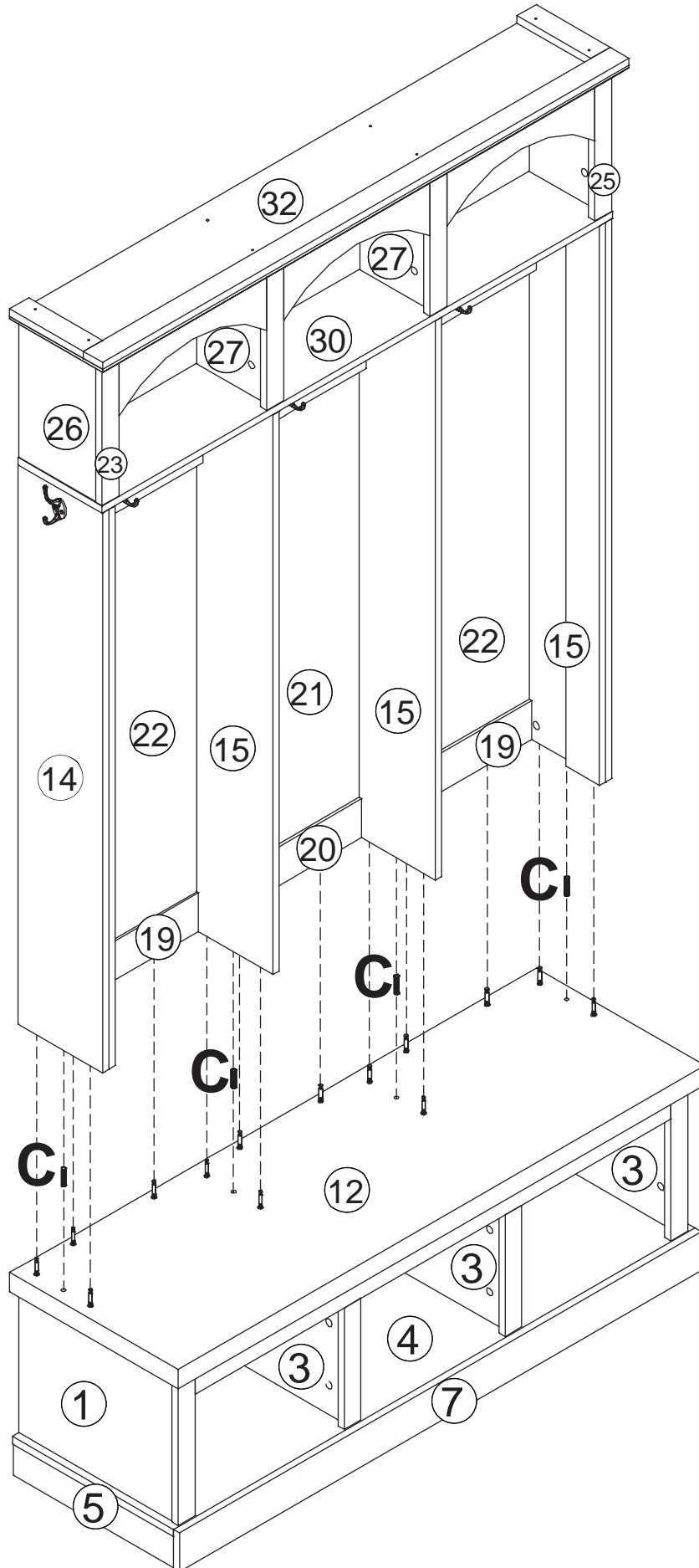


C*2	B*8

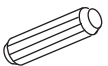


Step 39

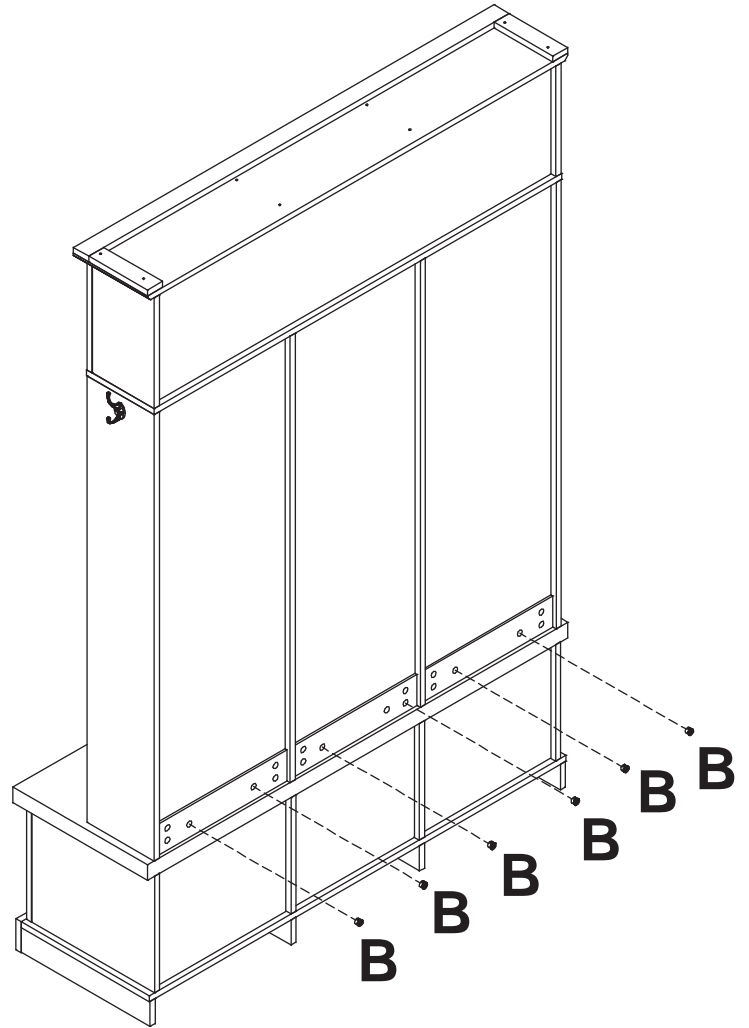
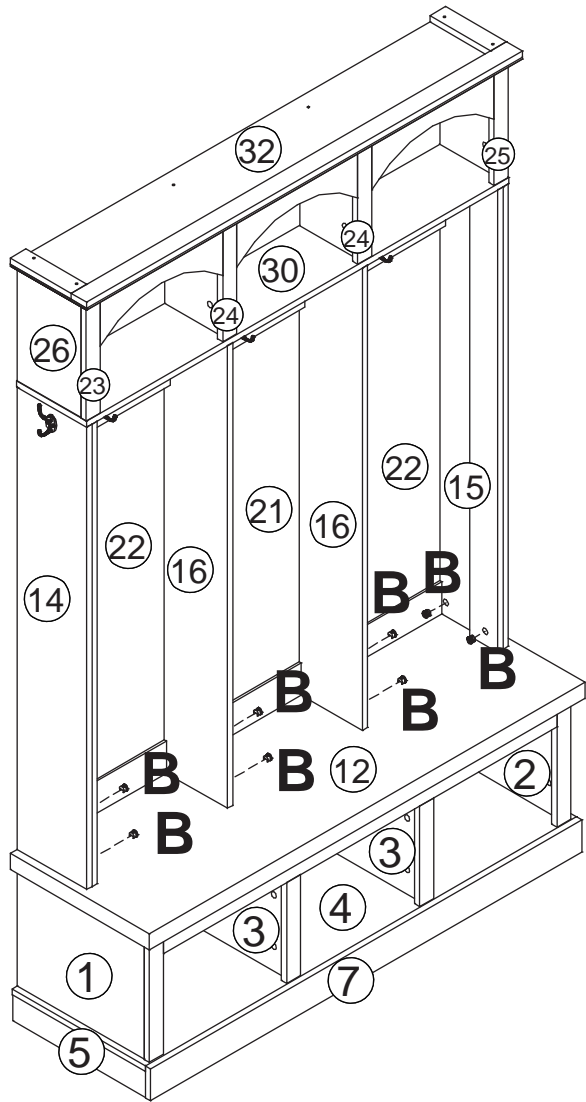
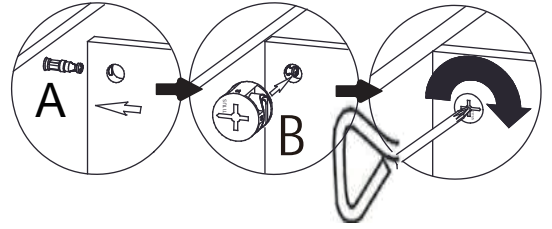
It's better if two people work together on this step.



C*4



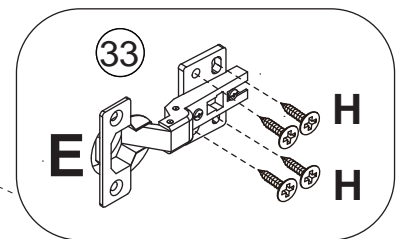
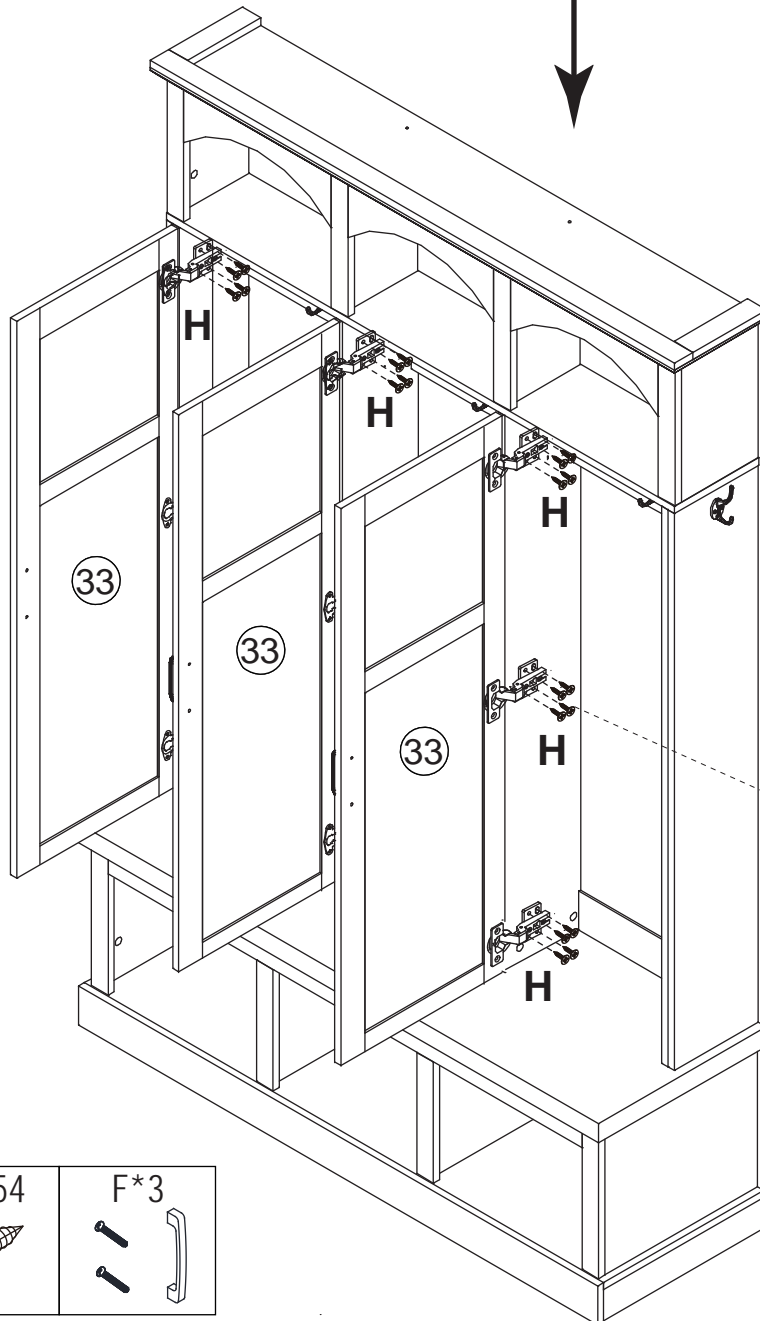
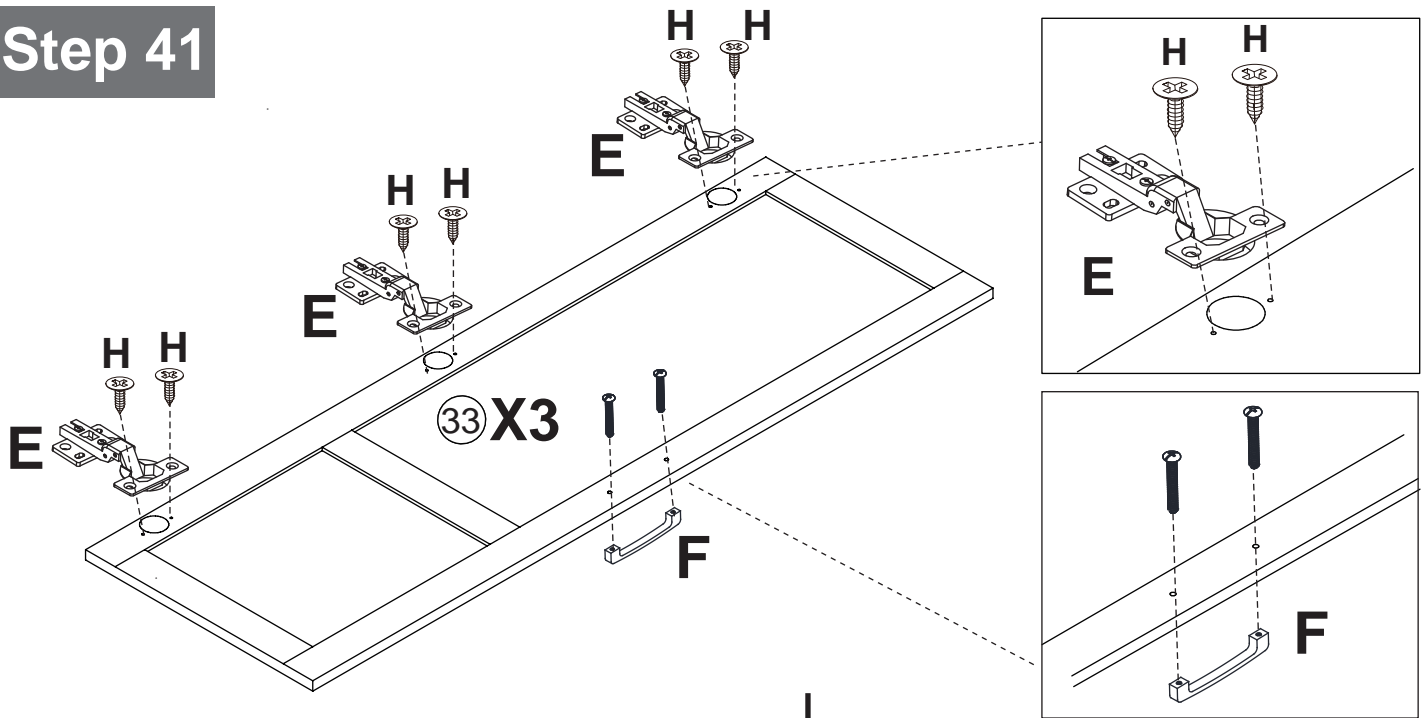
Step 40

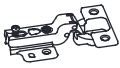
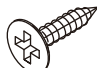



B*14

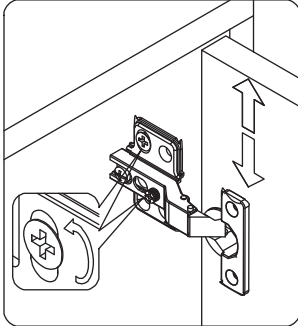


Step 41

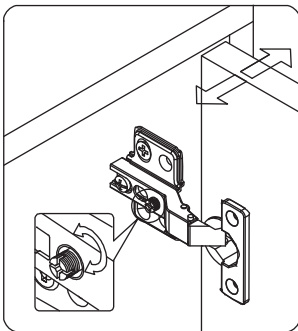
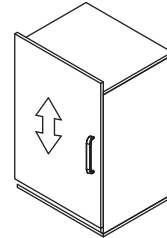


E*9	H*54	F*3
		

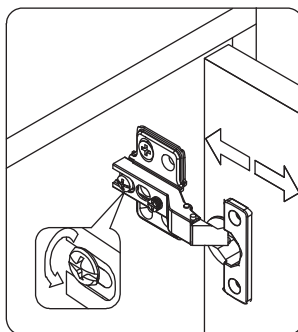
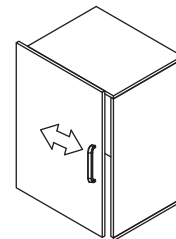
When the hinges are installed, you can refer to the pictures to adjust the screws of the doors till it's perfect.



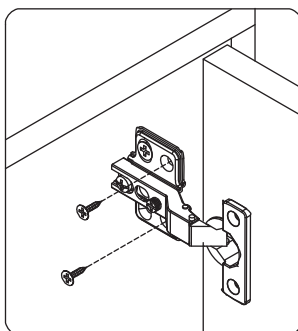
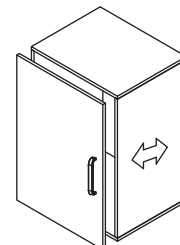
1. Adjust the screws shown in Figure 1 to adjust the door up and down.



2. Adjust the screws shown in Figure 2 to adjust the door left and right to the right position.

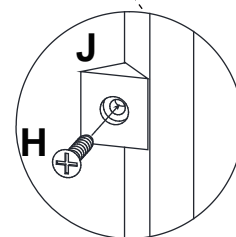
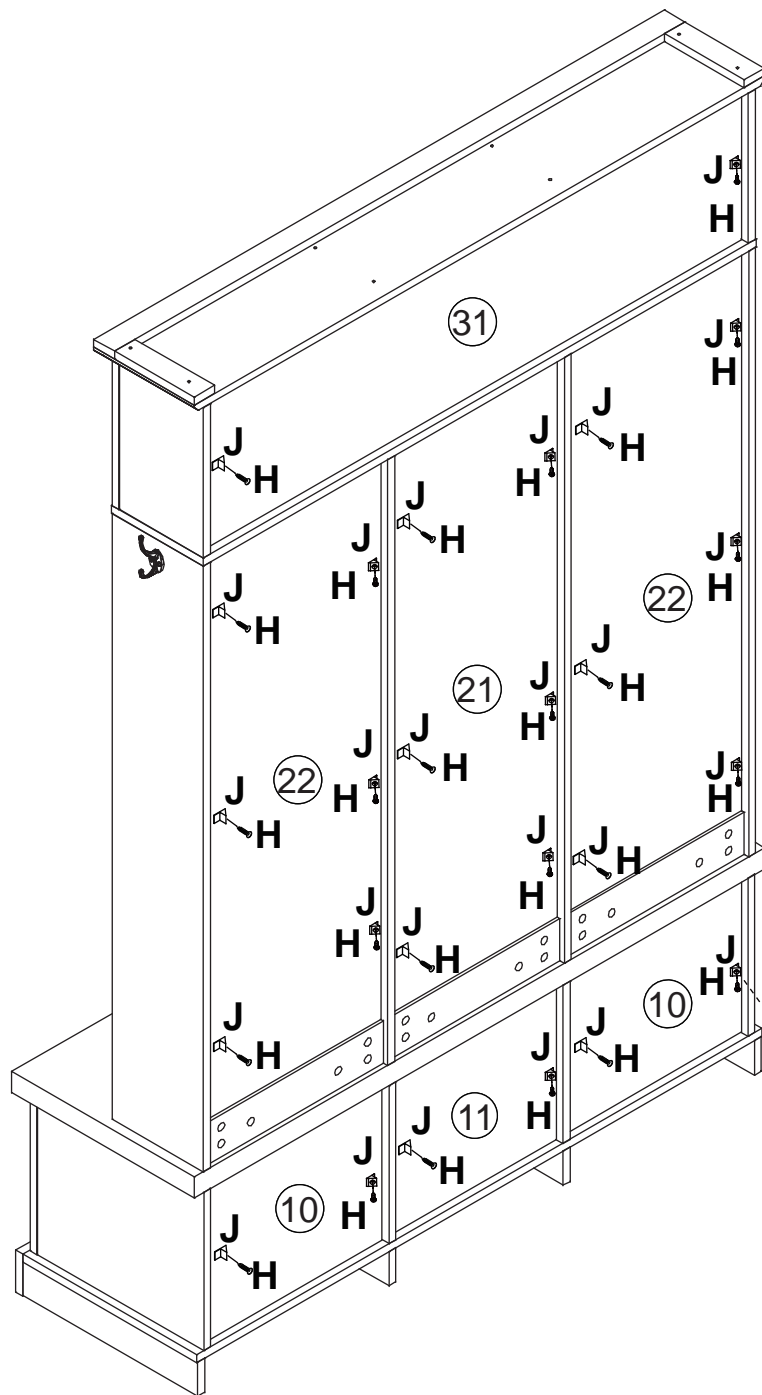


3. Adjust the screws shown in Figure 3 and pull the door back and forth so that it can be opened smoothly.



4. After the adjustment is complete, secure the remaining two screws to secure the door in place.

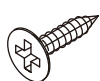
Step 42



J*26

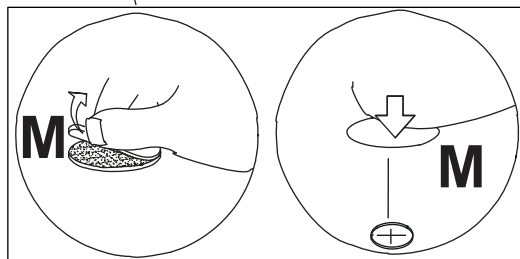
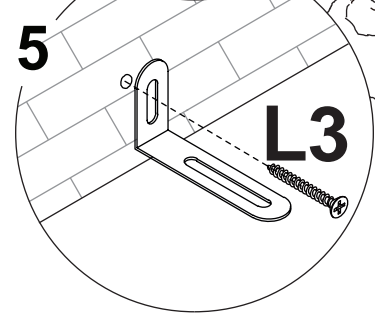
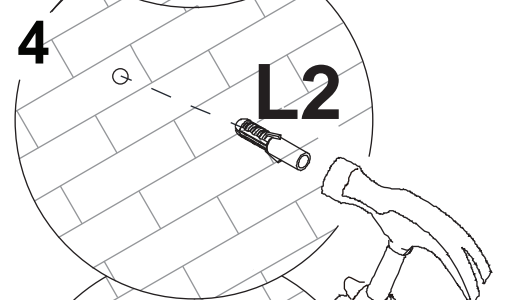
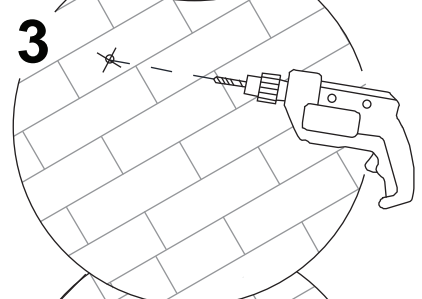
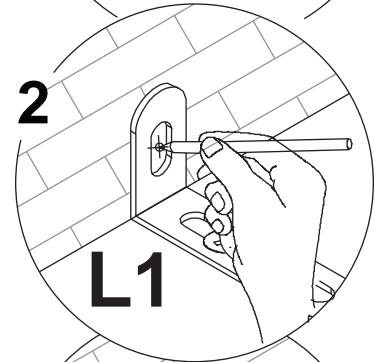
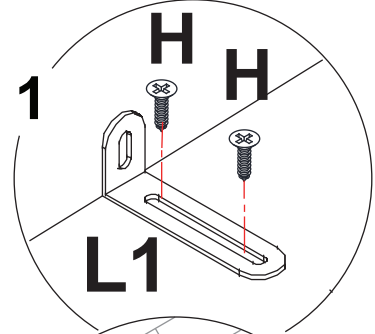
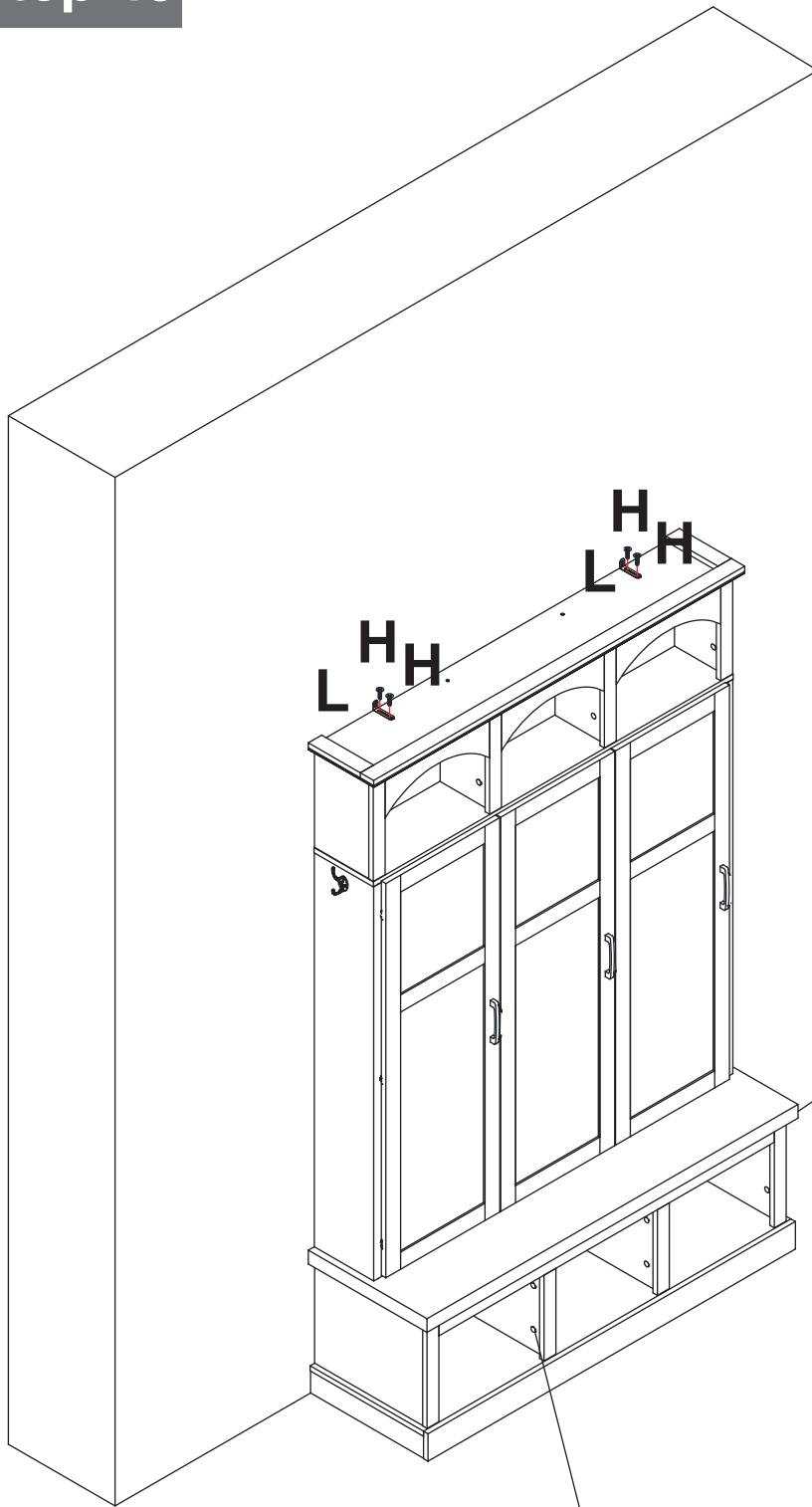



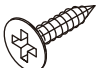

H*26



Fix hardware "J" into the gap with screws to make the back panel more stable.

Step 43



L*2	H*4	M*54
		

Please stick the hardware "M" on the exposed hole that makes your product more beautiful.

FINISH

