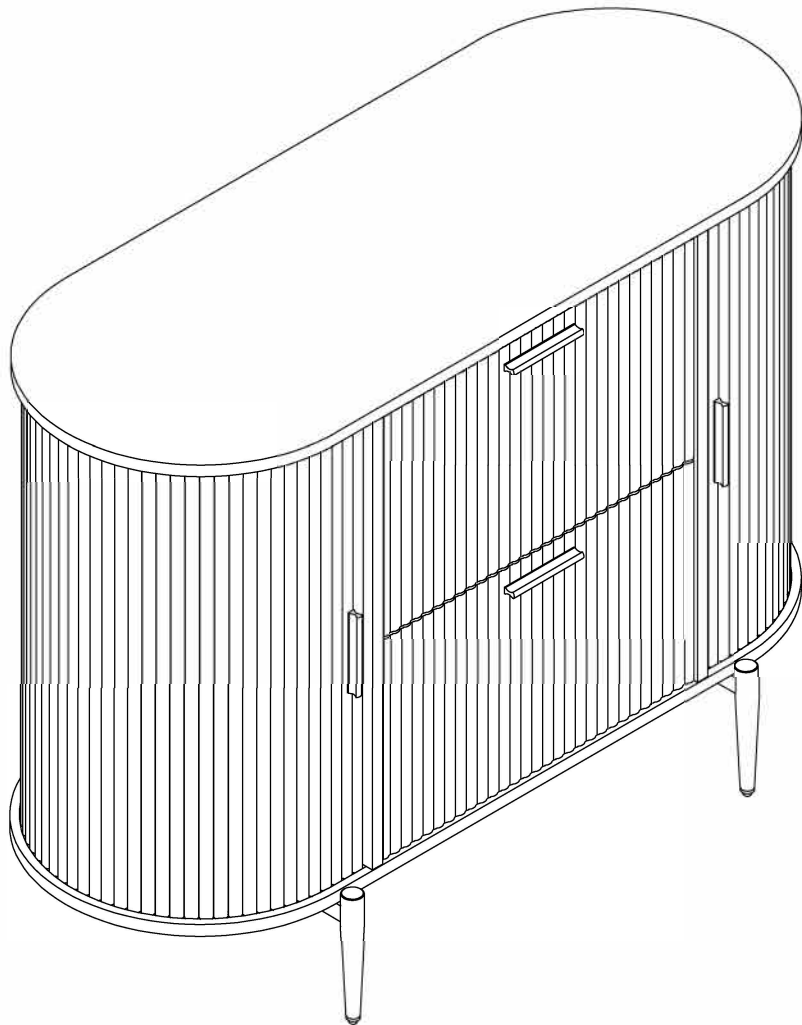
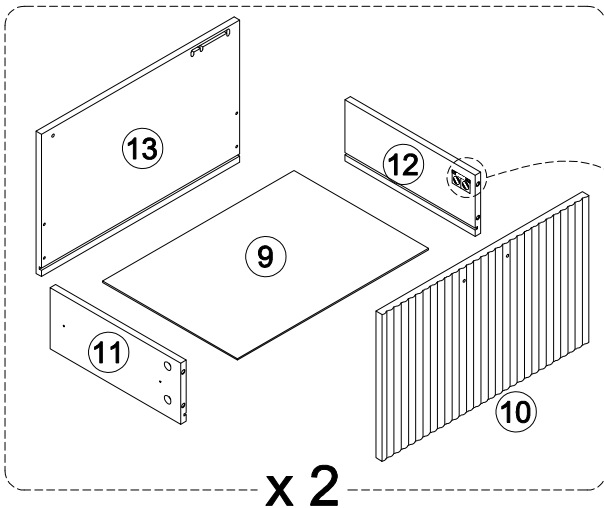
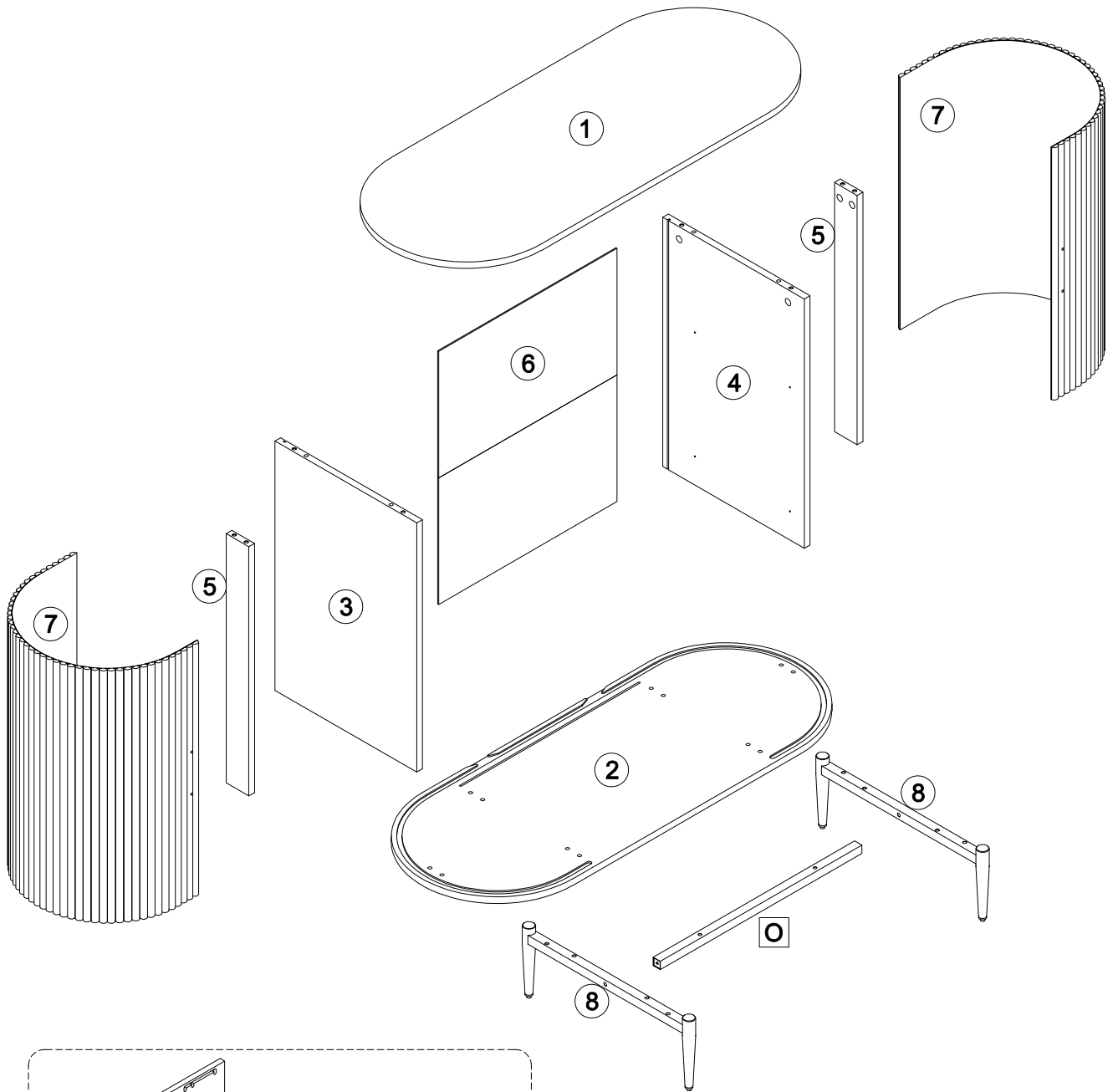


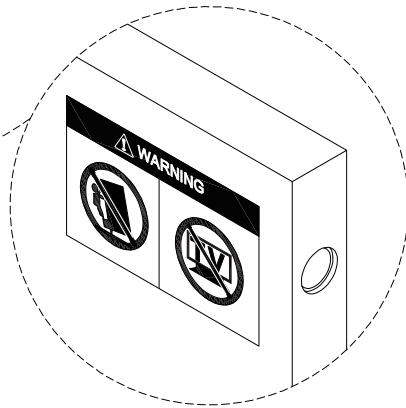
File cabinet







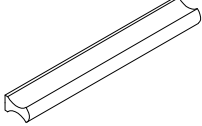
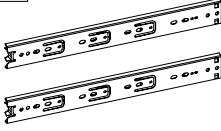
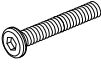
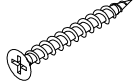


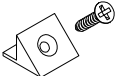



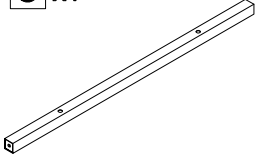
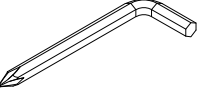
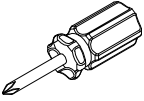
ASSEMBLY INSTRUCTIONS

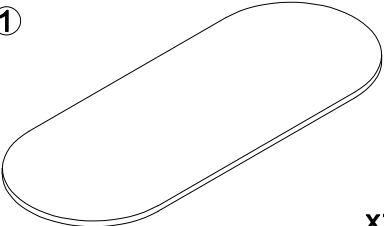
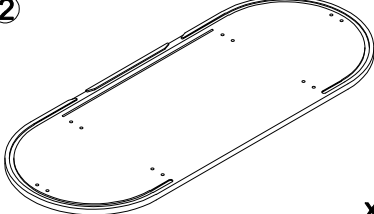
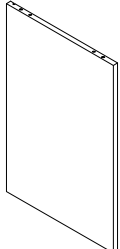


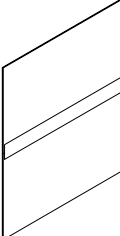
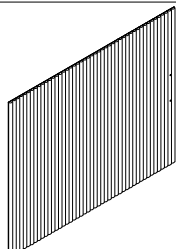
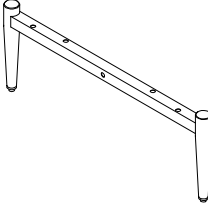
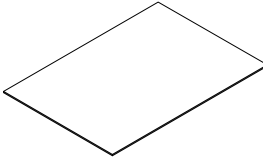


x 2

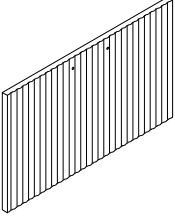
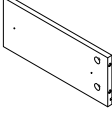
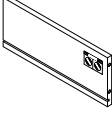
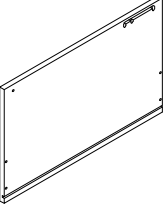


ASSEMBLY INSTRUCTIONS

A x16+2  Ø6x35mm	B x16+2  Ø15x10mm	C x8+2  Ø7.8x30mm	D x8+2  Ø7x38mm	E x4 
F x2  L=300mm	G x2+1  M6x45mm	H x8+2  Ø4x35mm	I x4+1  M4x18mm	J x20+2  Ø3.5x12mm
K x8+2 	L x4+1  M4x10mm	M x10+2  M6x30mm	N x4 	O x1 
				

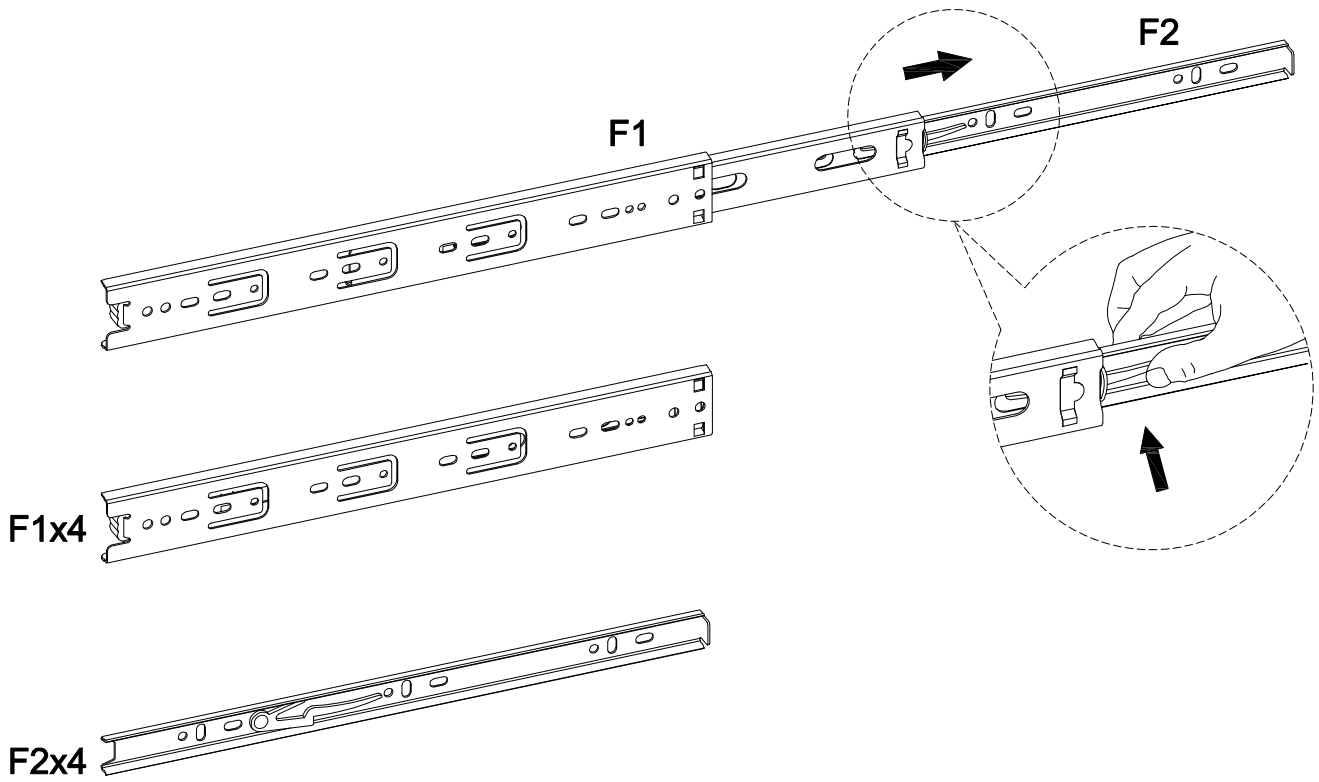
①  x1	②  x1	③  x1
④  x1	⑤  x2	⑥  x1
⑦  x2	⑧  x2	⑨  x2

ASSEMBLY INSTRUCTIONS

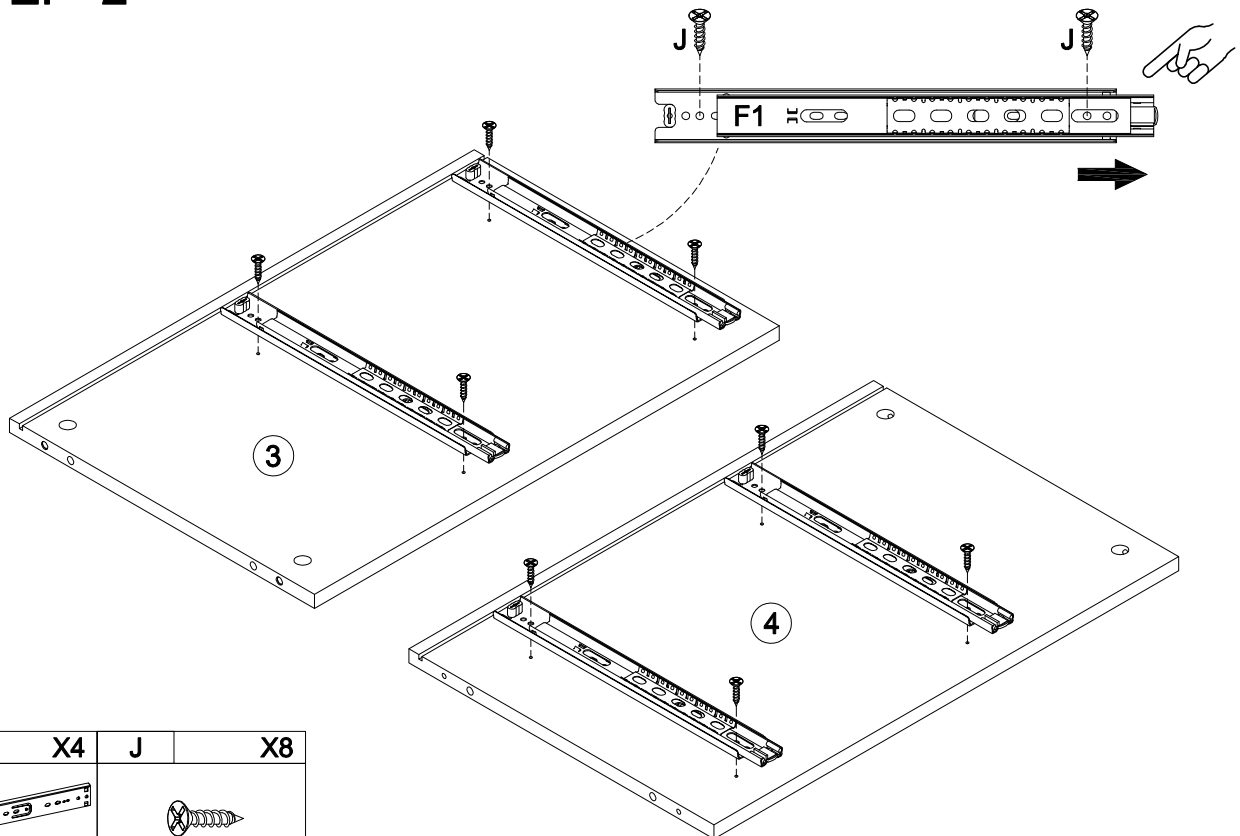
<p>⑩</p>  <p>x2</p>	<p>⑪</p>  <p>x2</p>	<p>⑫</p>  <p>x2</p>
<p>⑬</p>  <p>x2</p>		

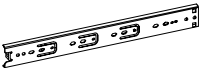

INSTALLATION INSTRUCTION

STEP 1



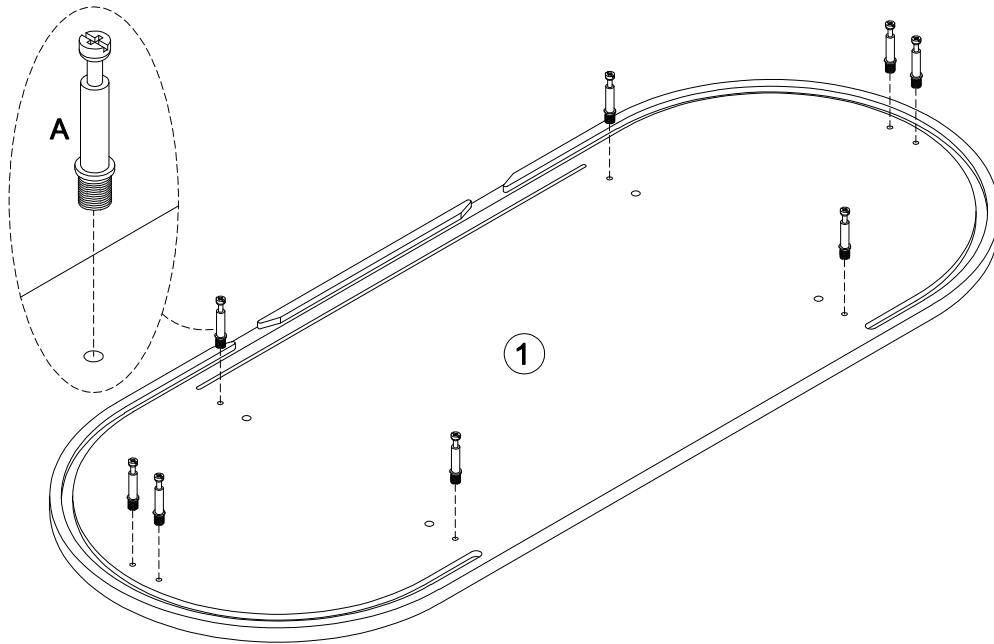
STEP 2

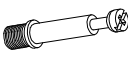


F1	X4	J	X8
			
		Ø3.5x12mm	

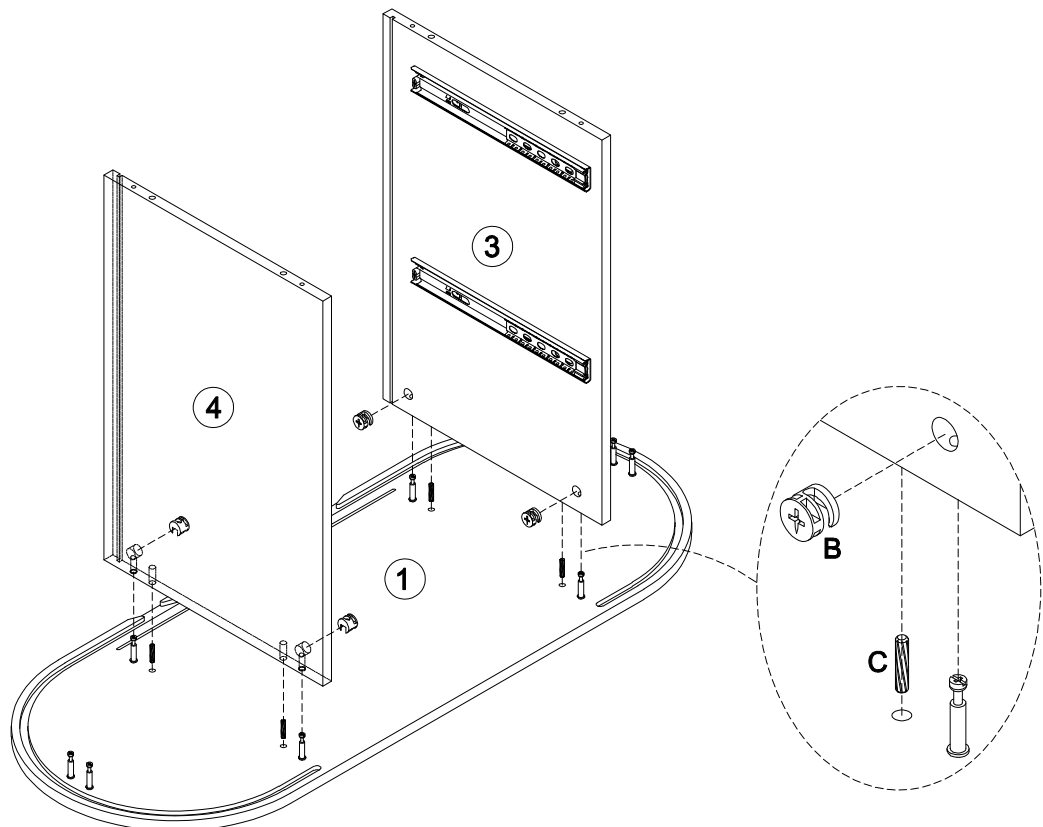
INSTALLATION INSTRUCTION

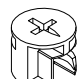
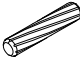
STEP 3



A	X8
	
Ø6x35mm	

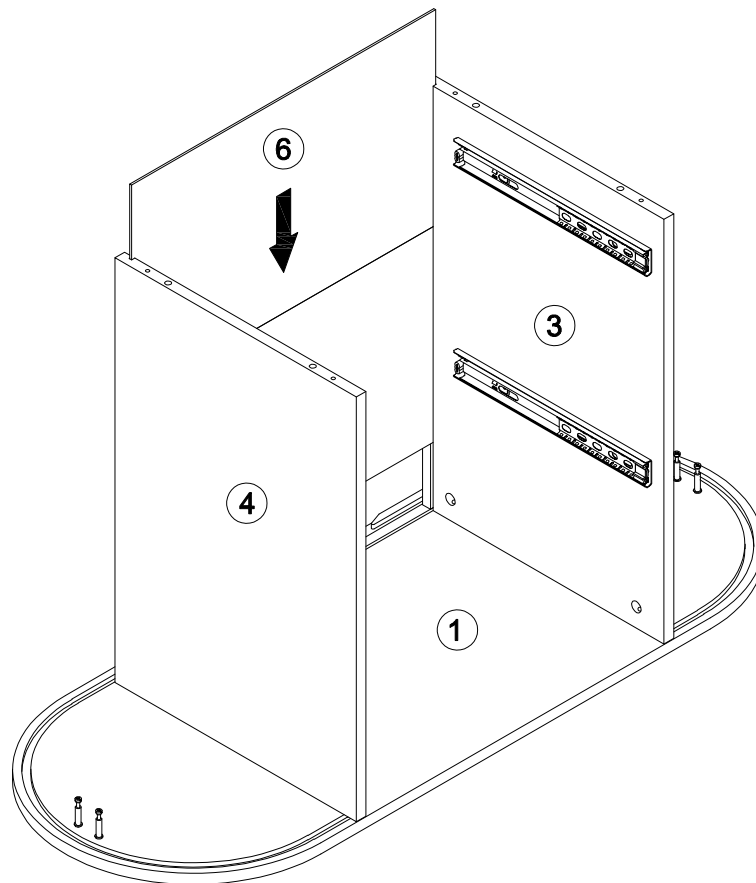
STEP 4



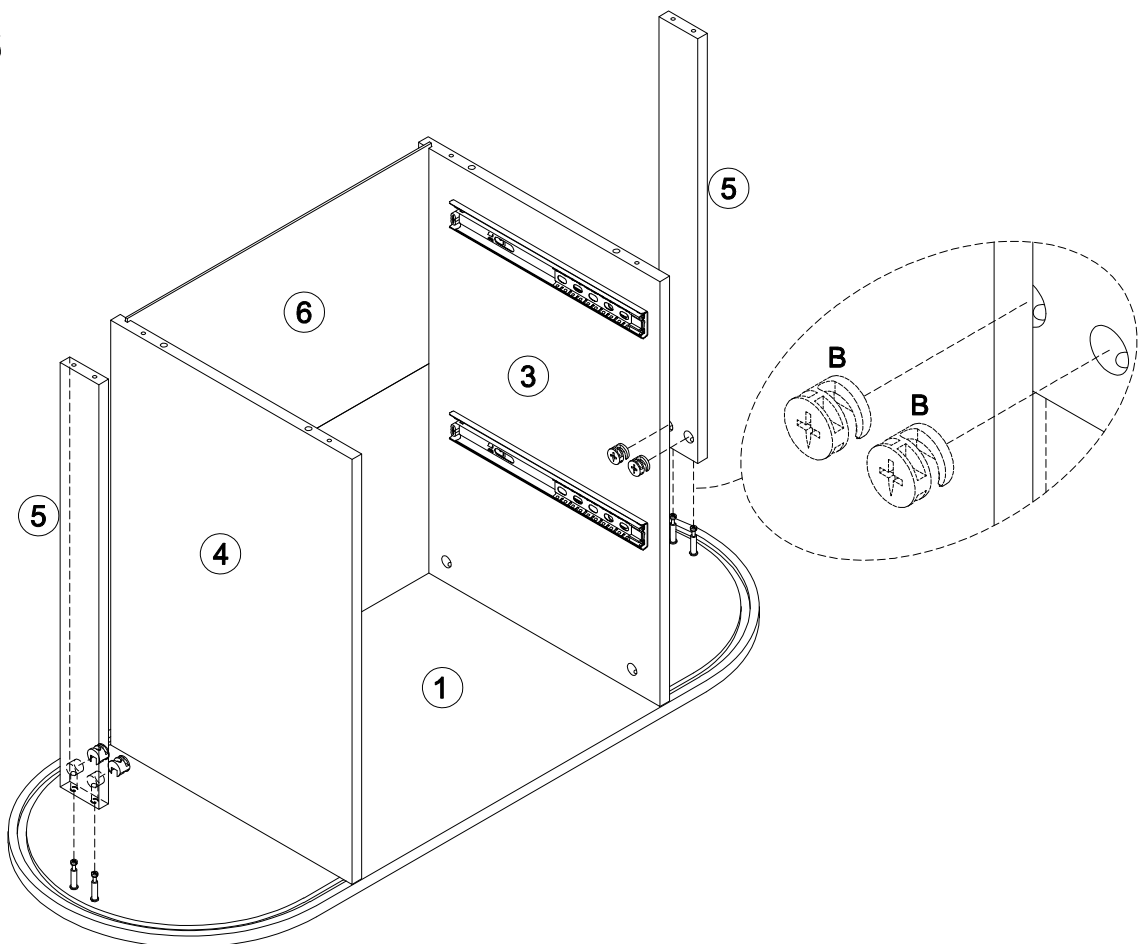
B	X4
	
Ø15x10mm	
C	X4
	
Ø7.8x30mm	

INSTALLATION INSTRUCTION

STEP 5



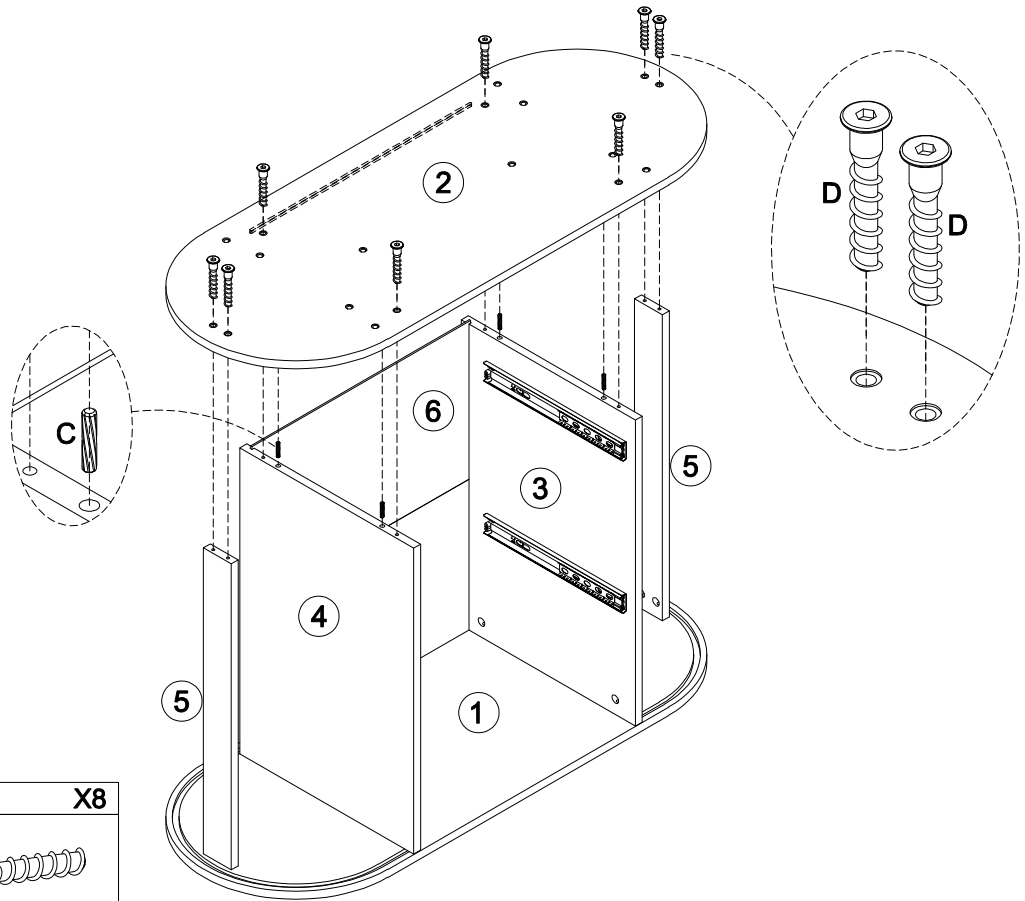
STEP 6

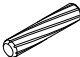



B	X4
Ø15x10mm	

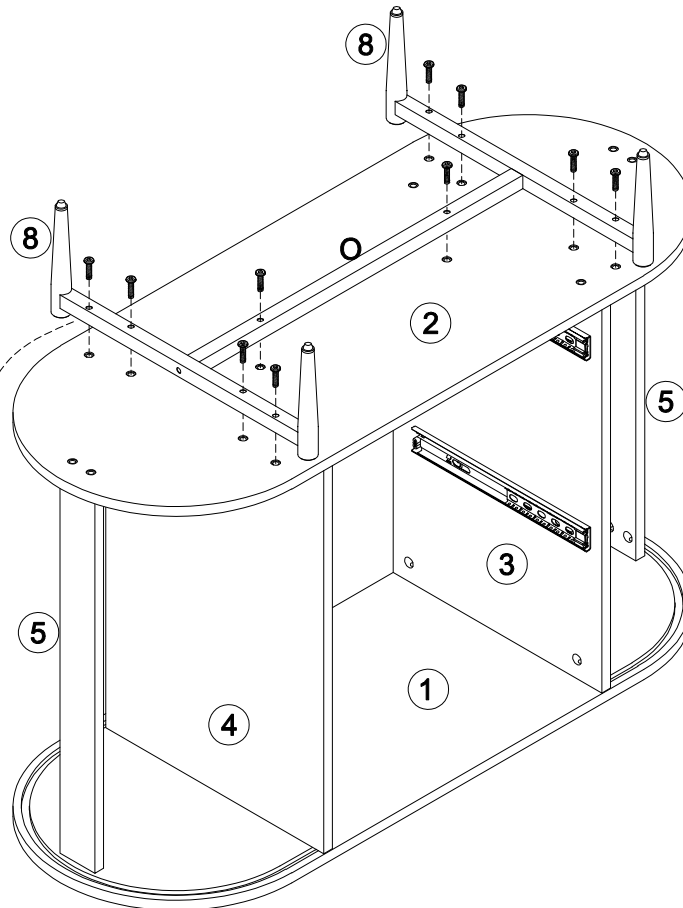
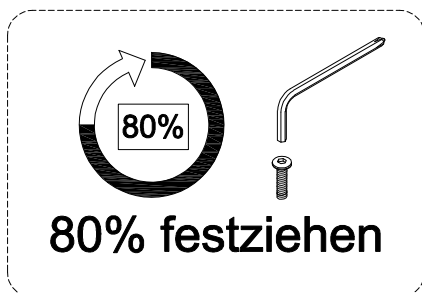
INSTALLATION INSTRUCTION

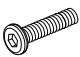
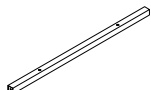
STEP 7



C	X4	D	X8
			
Ø7.8x30mm		Ø7x38mm	

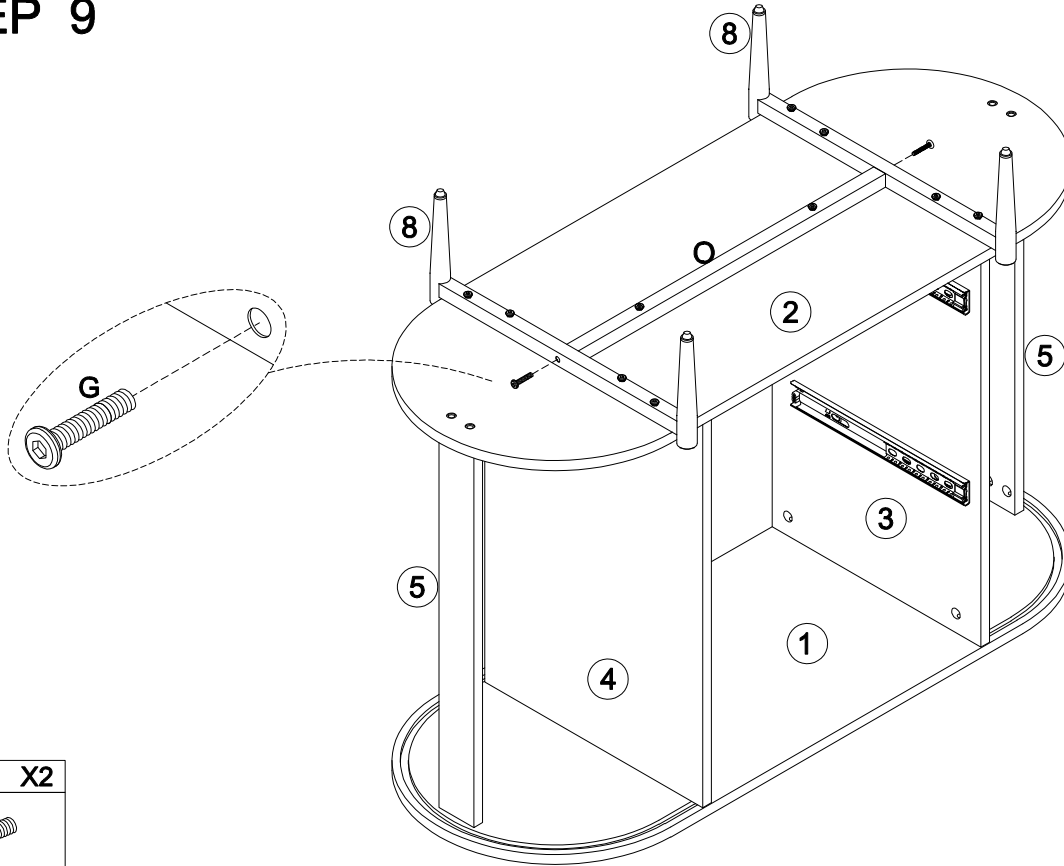
STEP 8



M	X10	O	X1
			
M6x30mm			

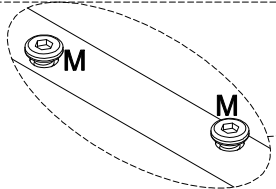
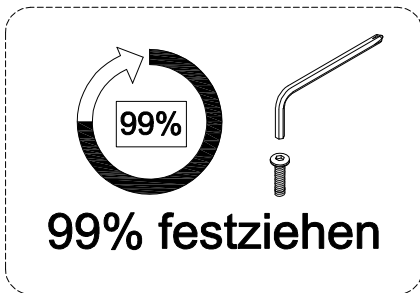
INSTALLATION INSTRUCTION

STEP 9

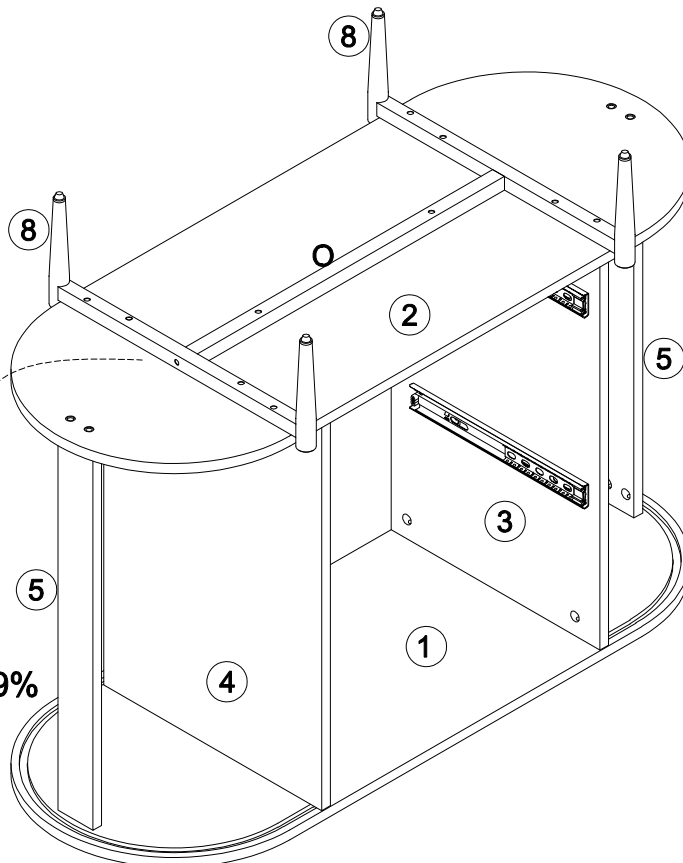


G	X2
M6x45mm	

STEP 10

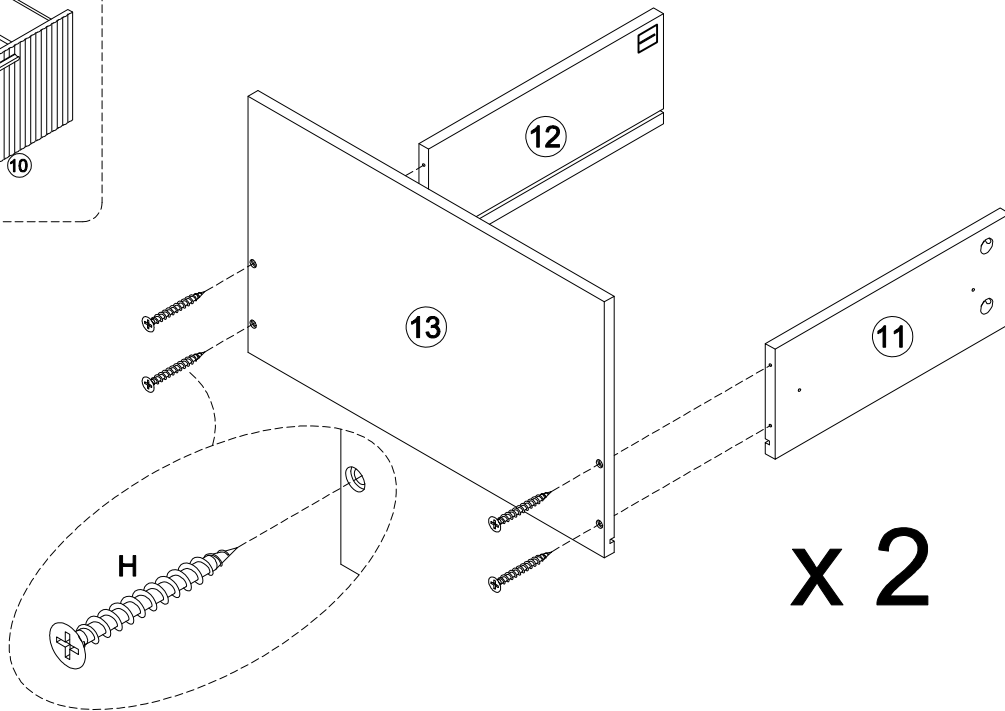
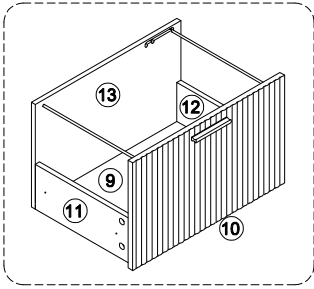


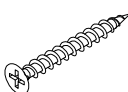
Lock the screw M/G of (8) /O to 99%



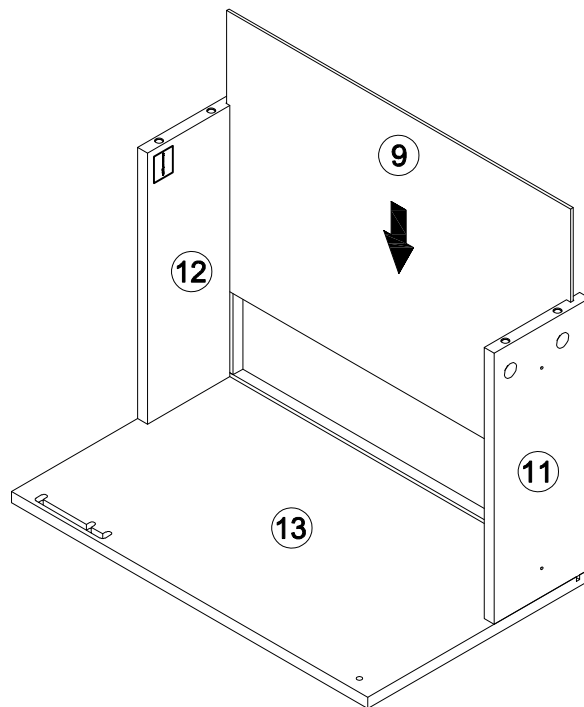
INSTALLATION INSTRUCTION

STEP 11



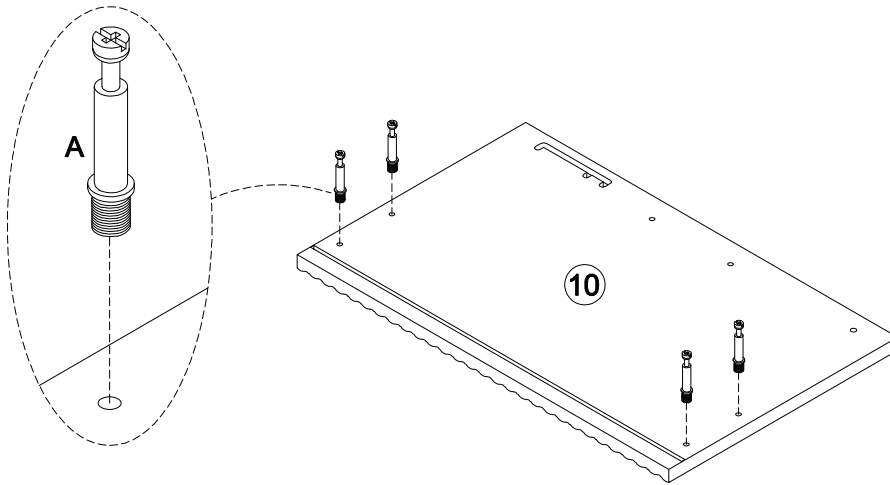
H	X8
	
Ø4x35mm	

STEP 12

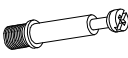


INSTALLATION INSTRUCTION

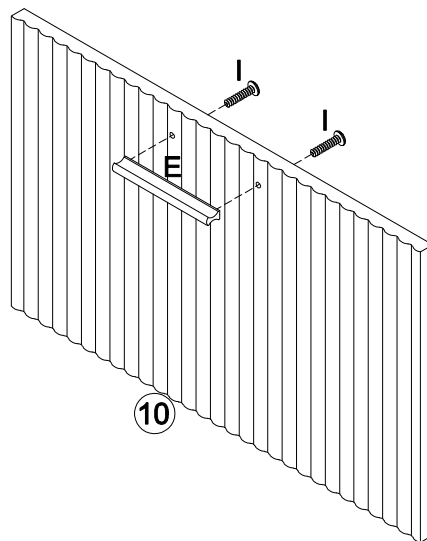
STEP 13



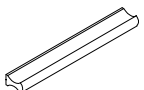

x 2

A	X8
	
Ø6x35mm	

STEP 14

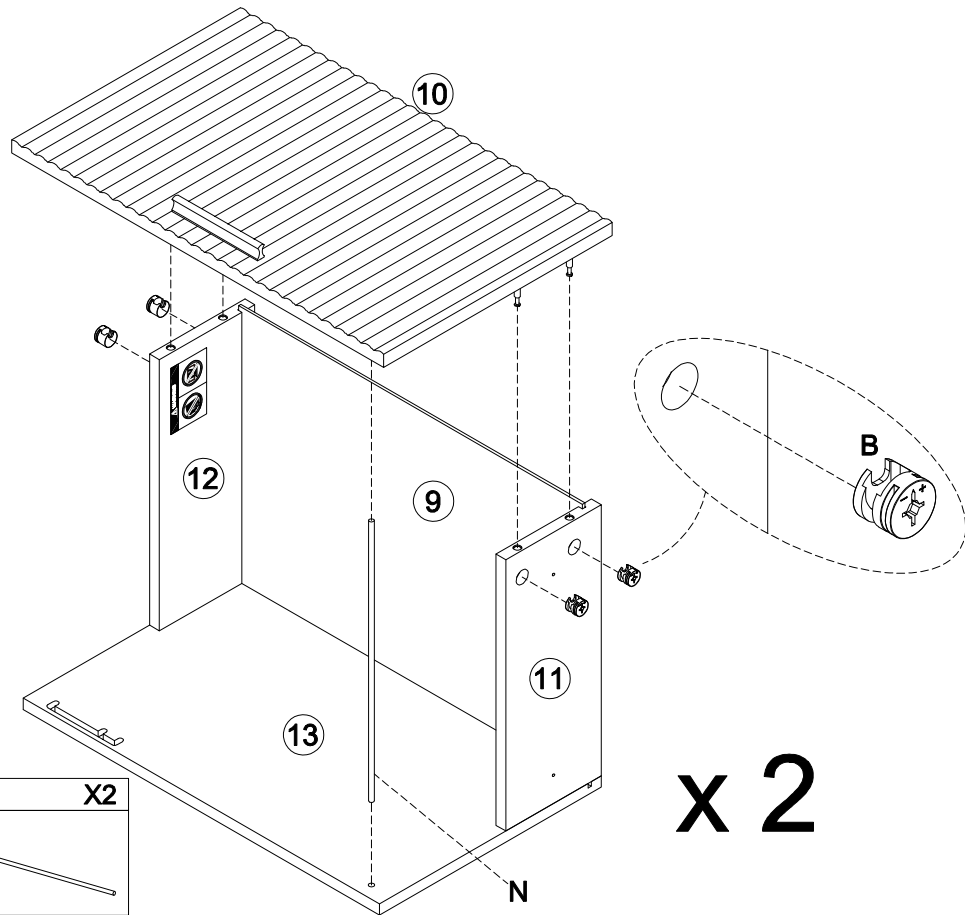



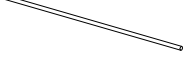
x 2

E	X2	I	X4
			
		M4x18mm	

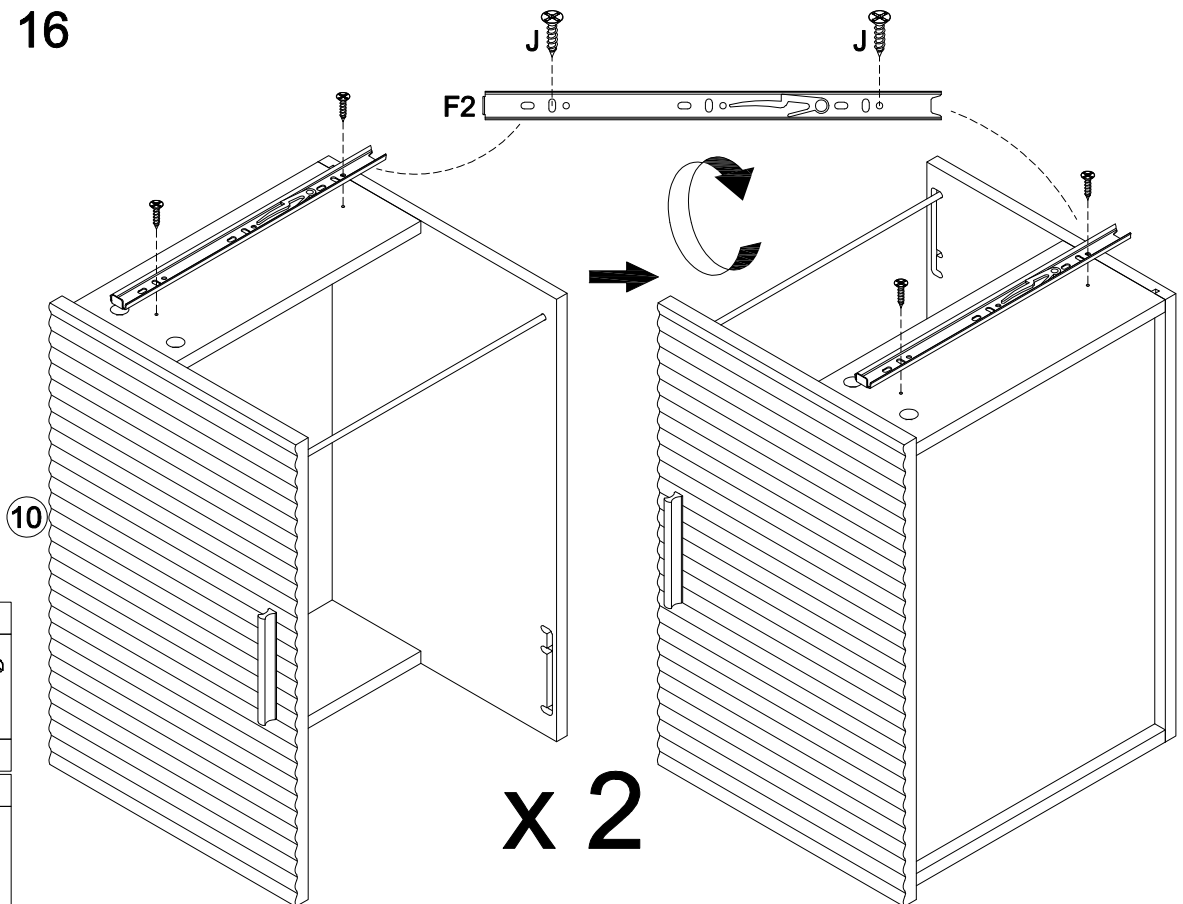
INSTALLATION INSTRUCTION

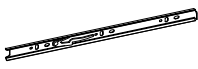
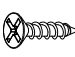
STEP 15



B	X8	N	X2
			
Ø15x10mm			

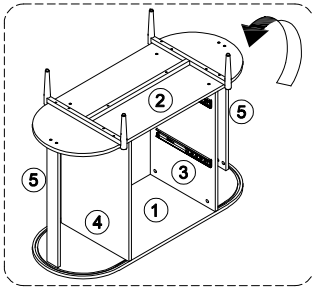
STEP 16




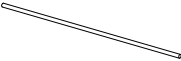
F2	X4
	
J	X8
	
Ø3.5x12mm	

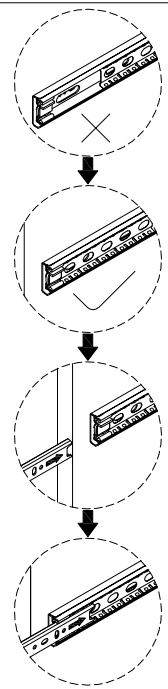
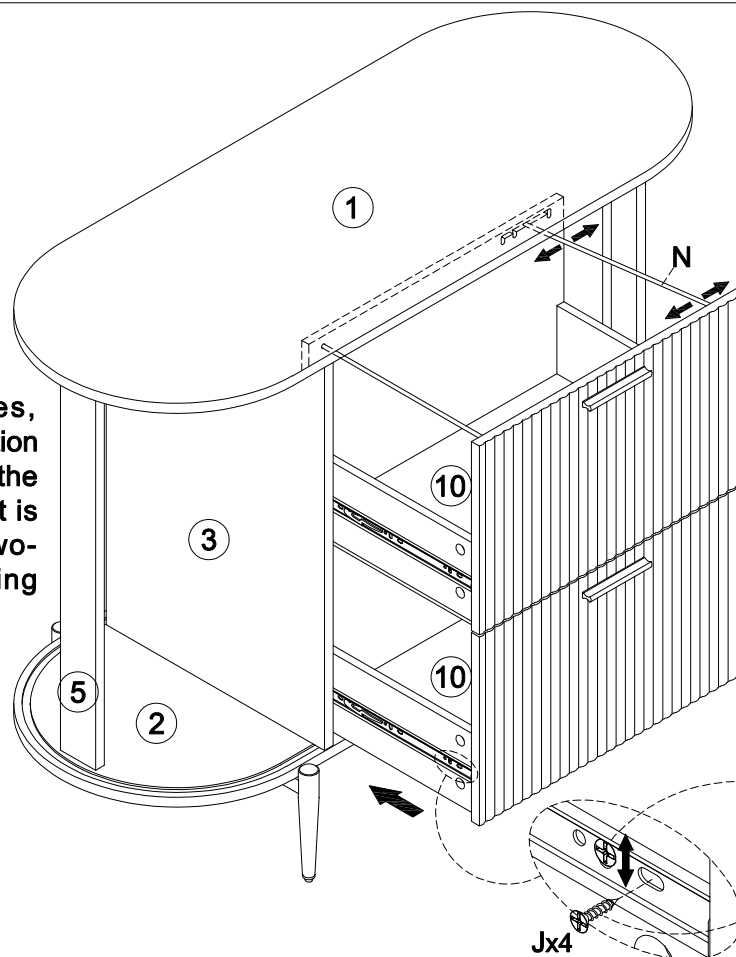
INSTALLATION INSTRUCTION

STEP 17



When pulling out large files, please be careful. A three-section guide rail is used to facilitate the hanging and taking of files. It is recommended to pull out two-thirds of the file when placing heavy objects.

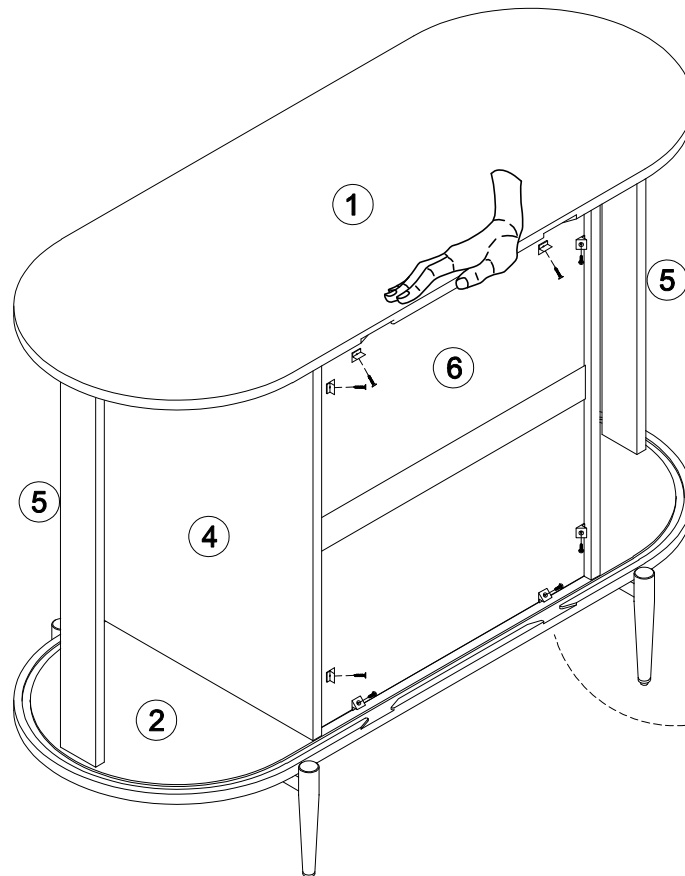
J	X4
	
Ø3.5x12mm	
N	X2
	

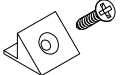


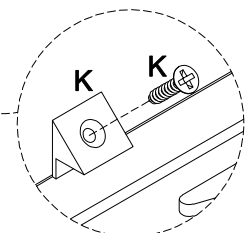
This screw can be loosened to adjust the top and bottom gaps of the drawer

Lock screw (J) after adjusting the upper and lower gaps

STEP 18

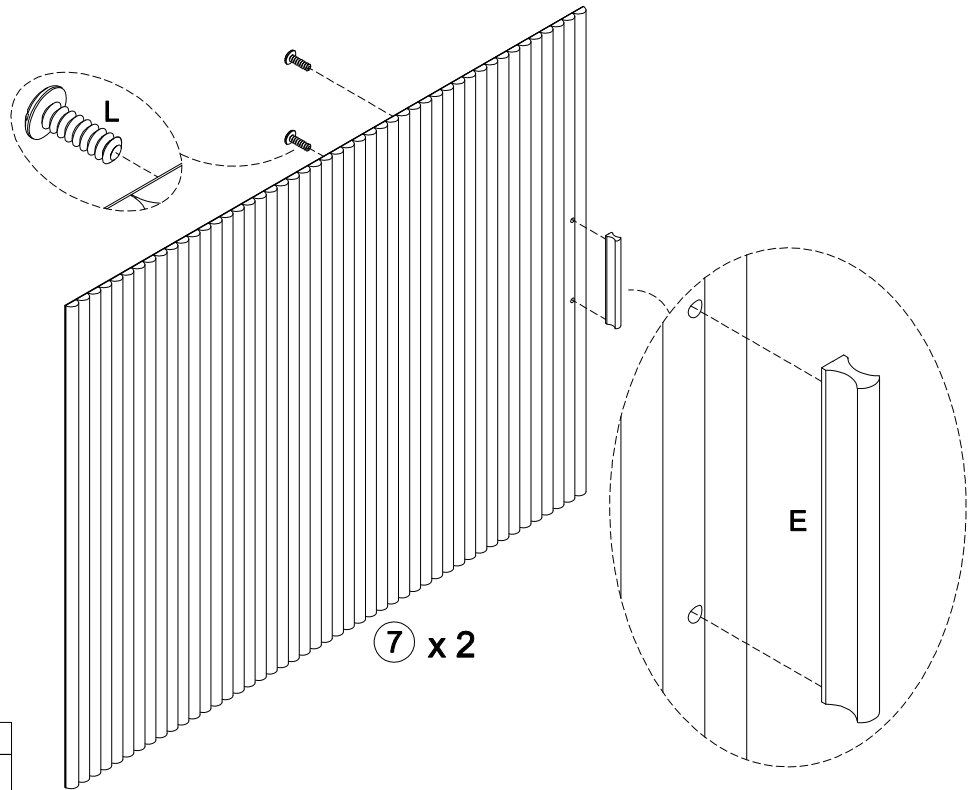


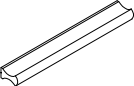

K	X8
	



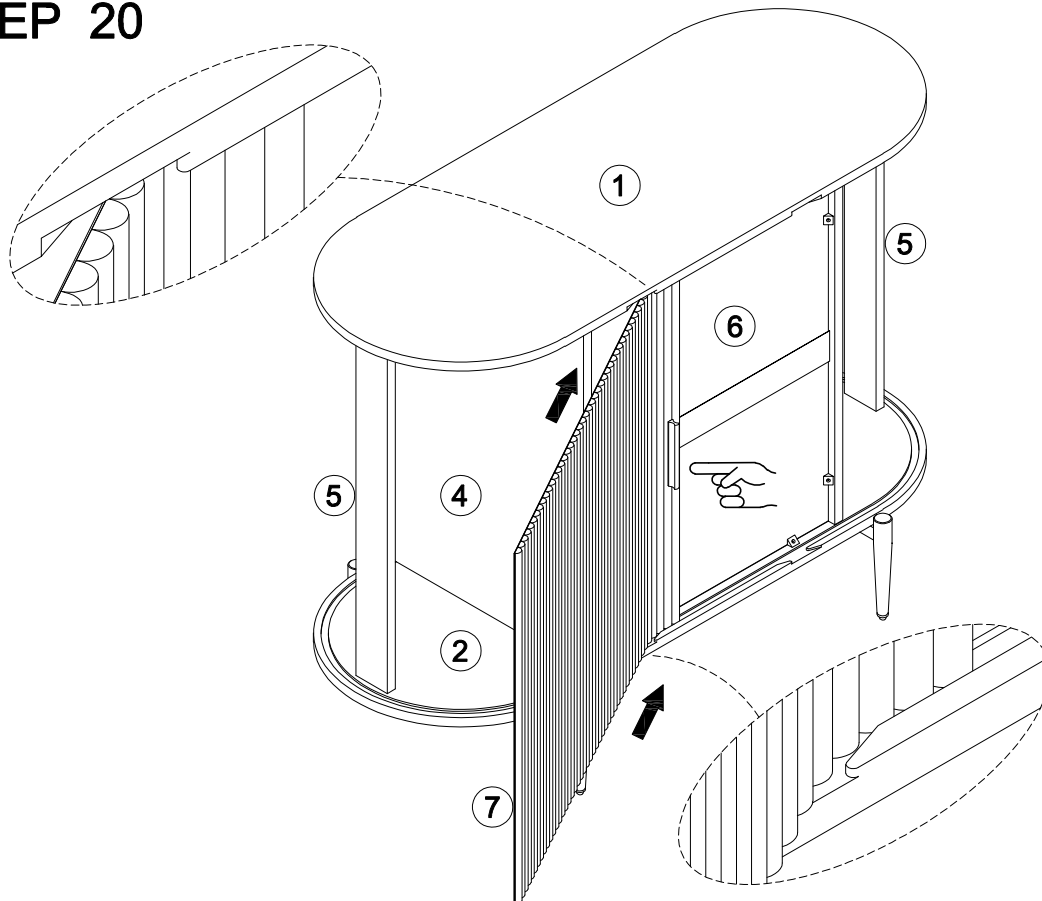
INSTALLATION INSTRUCTION

STEP 19



E	X2	L	X4
			
		M4x10mm	

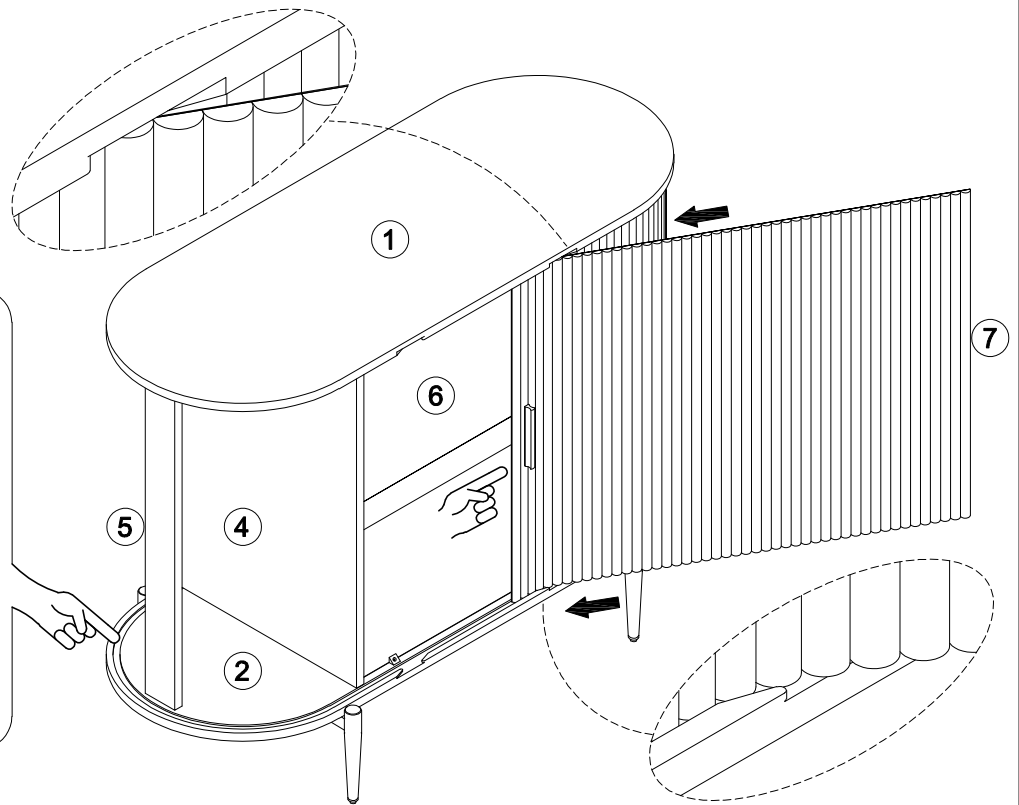
STEP 20



INSTALLATION INSTRUCTION

STEP 21

The chute has been coated with lubricating wax. Should you find the door's operation insufficiently smooth, we recommend applying a small amount of soap to enhance its performance



STEP 22

