

**LIGHT SOURCE DATA**

- 40W Max E14 SES (required)
- Lamp direction - Indirect
- Non-dimmable
- Energy range: A++, A+, A, B, C, D, E

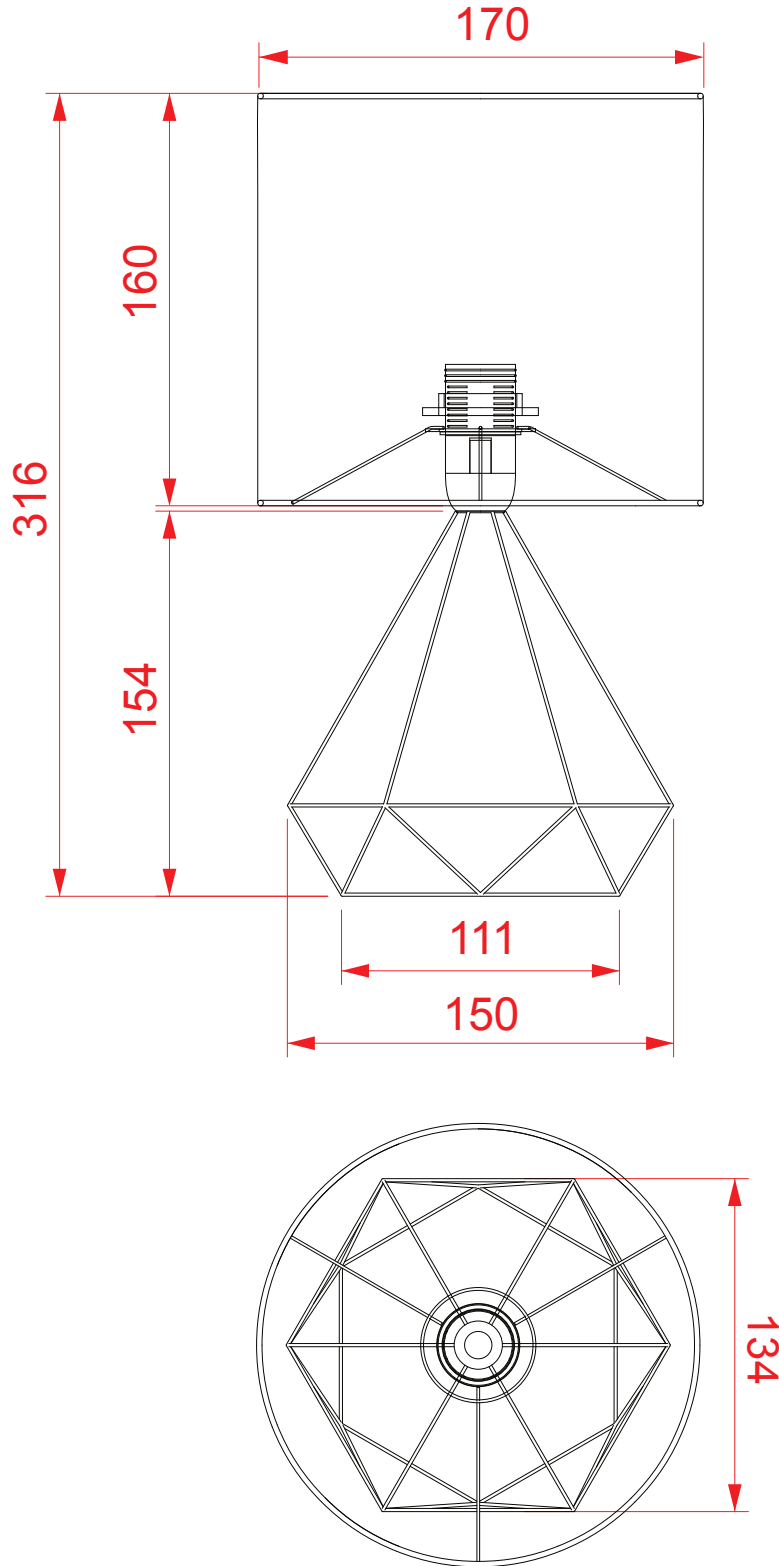
DIMENSION DATA

- Height 316mm
- Diameter 170mm
- Weight .4kg

SPECIFICATION

- Gold and white cotton
- IP20
- In-line On/Off Switch
- Class II - Double Insulated, No Earth
- 240V
- Assembly required? No
- 1.3m length cable from base to plug

CERTIFICATION**CONTACT**



CERTIFICATION



CONTACT