



| | | | | | |
|------|-----|-----|--------|------|------|
| Ax2 | Bx2 | Cx2 | Dx3 | Ex4 | Fx12 |
| Gx12 | Hx1 | Ix1 | Jx8 | Kx12 | Lx1 |
| Mx1 | Nx4 | Ox1 | Px16 | | |
| | | | 8x16mm | | |

SPARE(Ersatzteile)

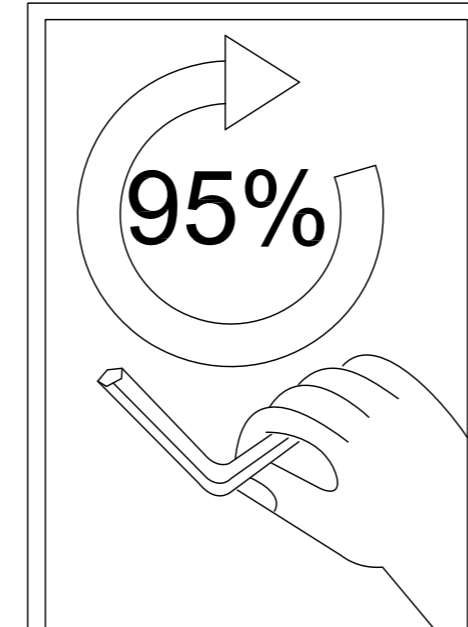
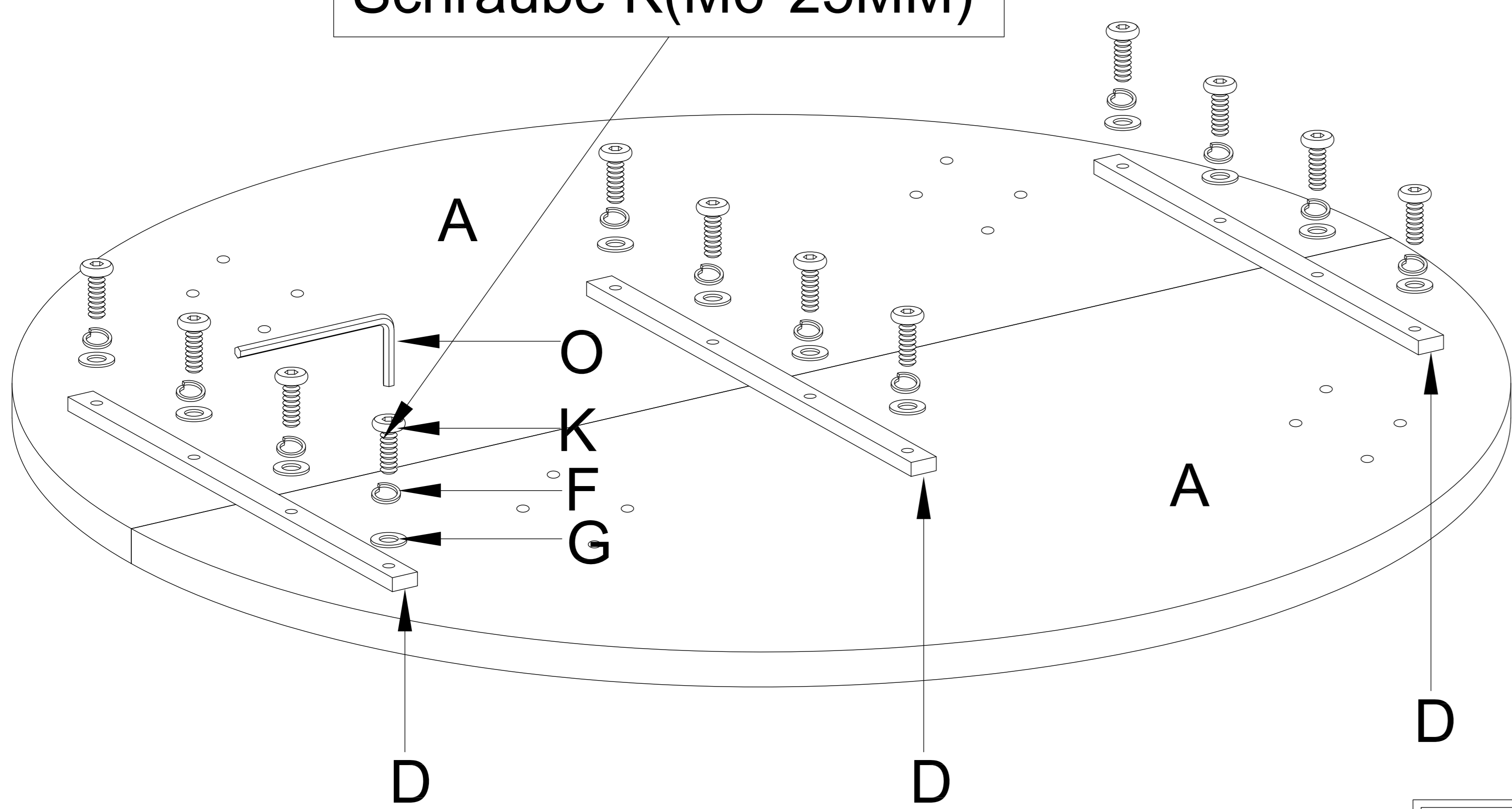
| | | | | |
|-----|-----|--------|--------|--------|
| Ex1 | Fx1 | Gx1 | Jx1 | Kx1 |
| | | | 8x16mm | 6x25mm |
| Lx1 | Mx1 | Px1 | | |
| | | 8x16mm | | |

Step1

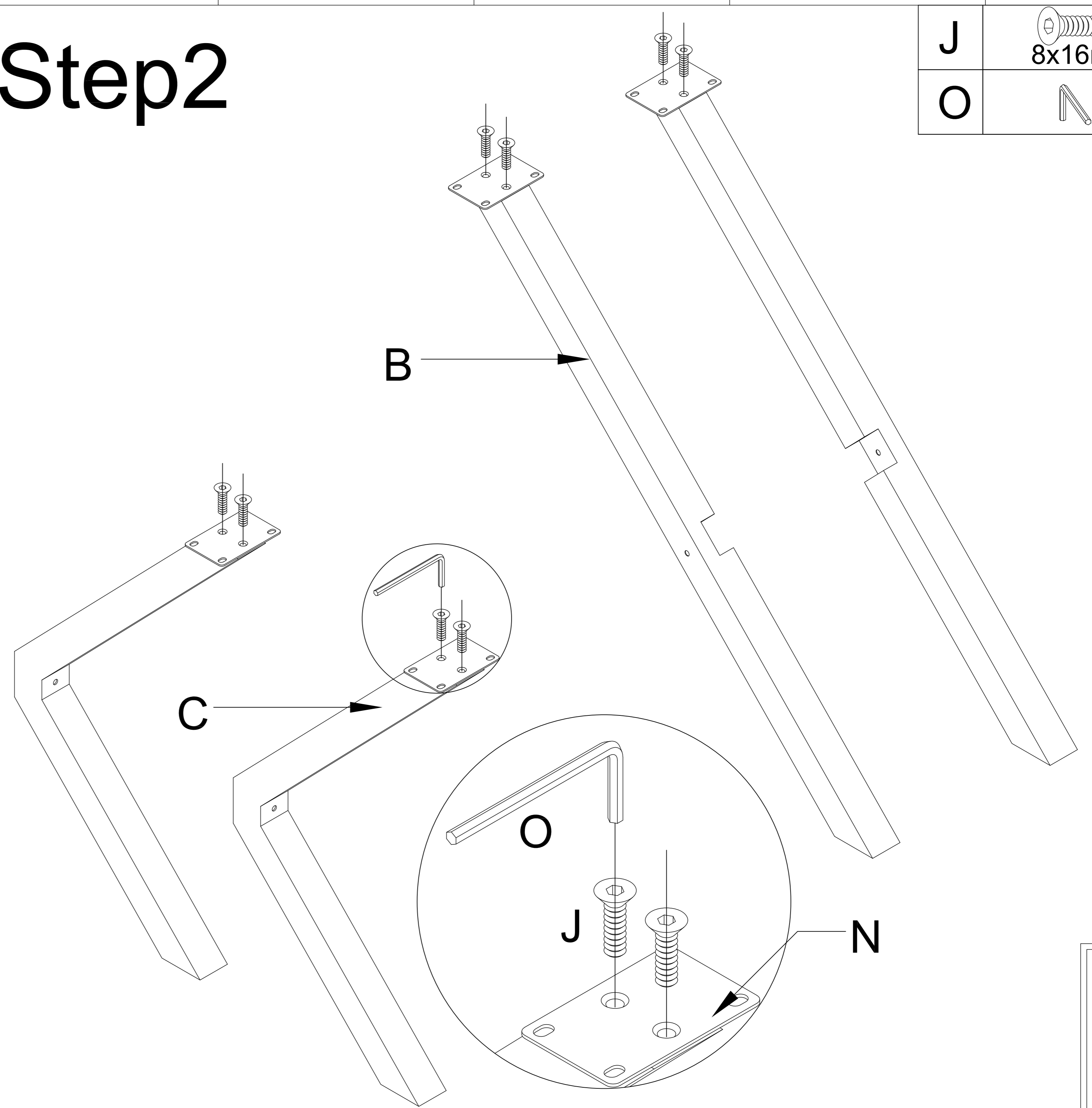
Note: Please use screw K (M6*25MM)

Hinweis: Bitte verwenden Sie Schraube K(M6*25MM)

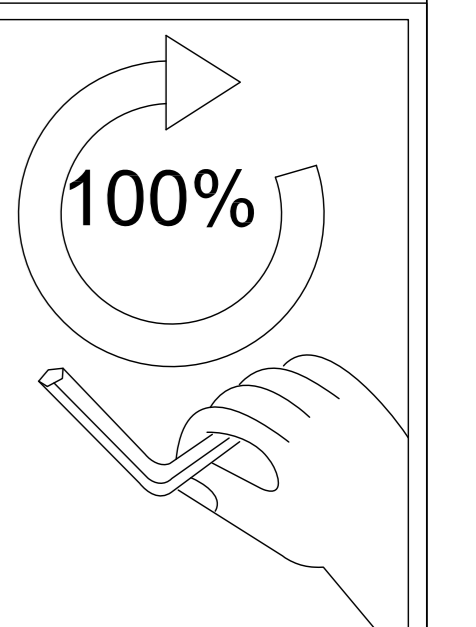
| | | |
|---|--|----|
| K | | 12 |
| F | | 12 |
| G | | 12 |
| O | | 1 |



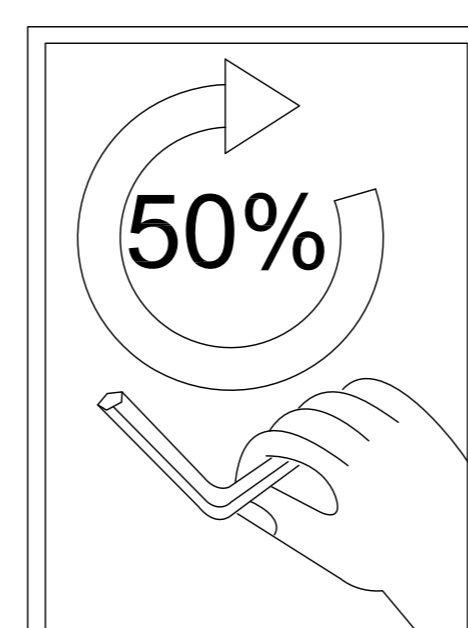
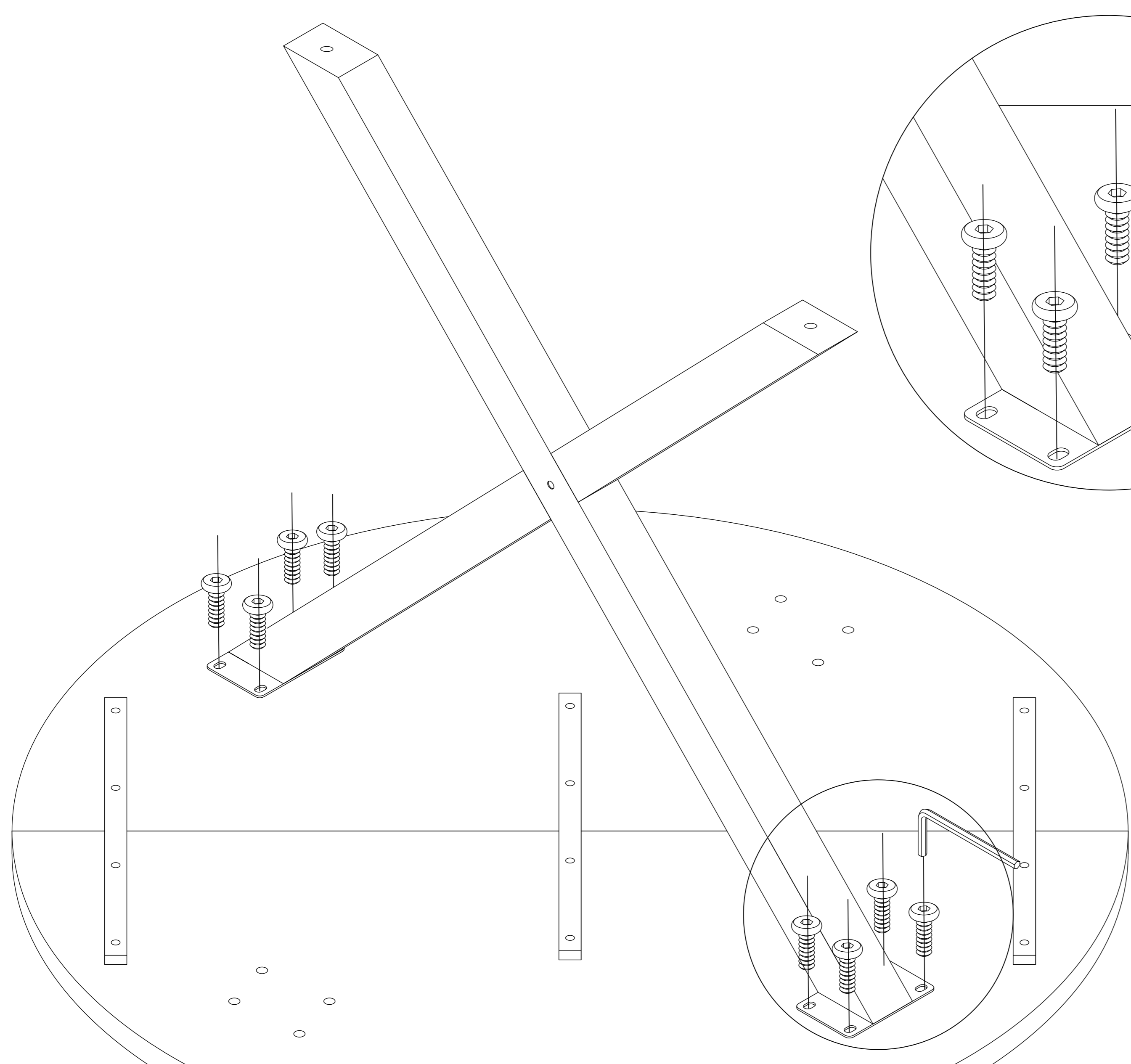
Step2



| | | |
|---|--|---|
| J | | 8 |
| O | | 1 |

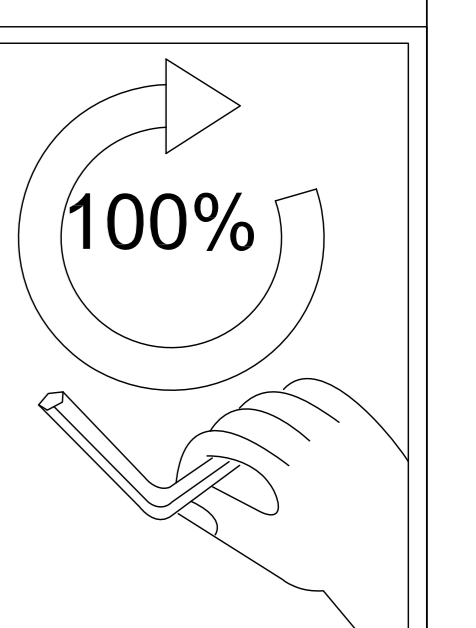
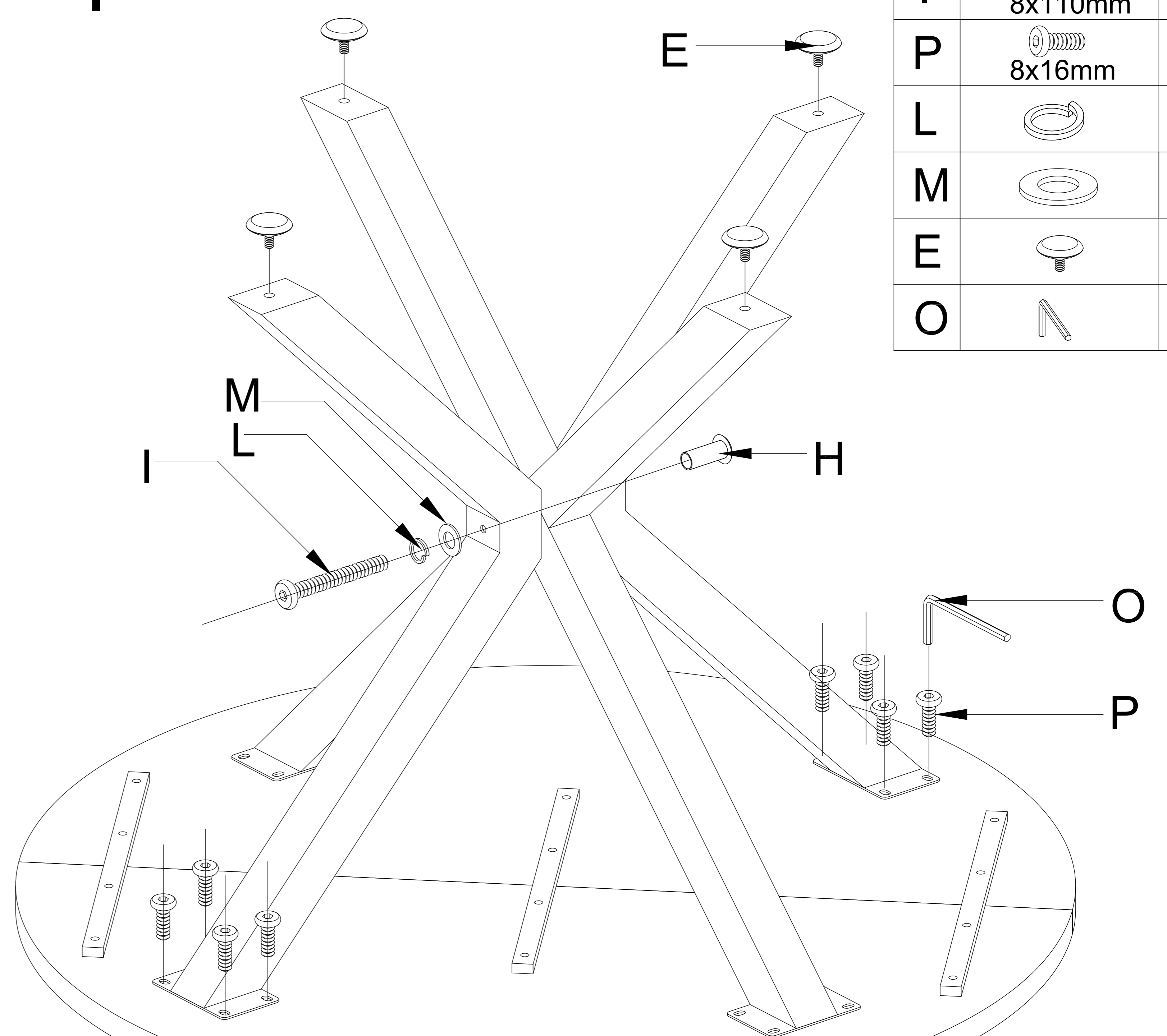


Step3



| | | |
|---|--|---|
| P | | 8 |
| O | | 1 |

Step4



| | | |
|---|--|---|
| H | | 1 |
| I | | 1 |
| P | | 8 |
| L | | 1 |
| M | | 1 |
| E | | 4 |
| O | | 1 |