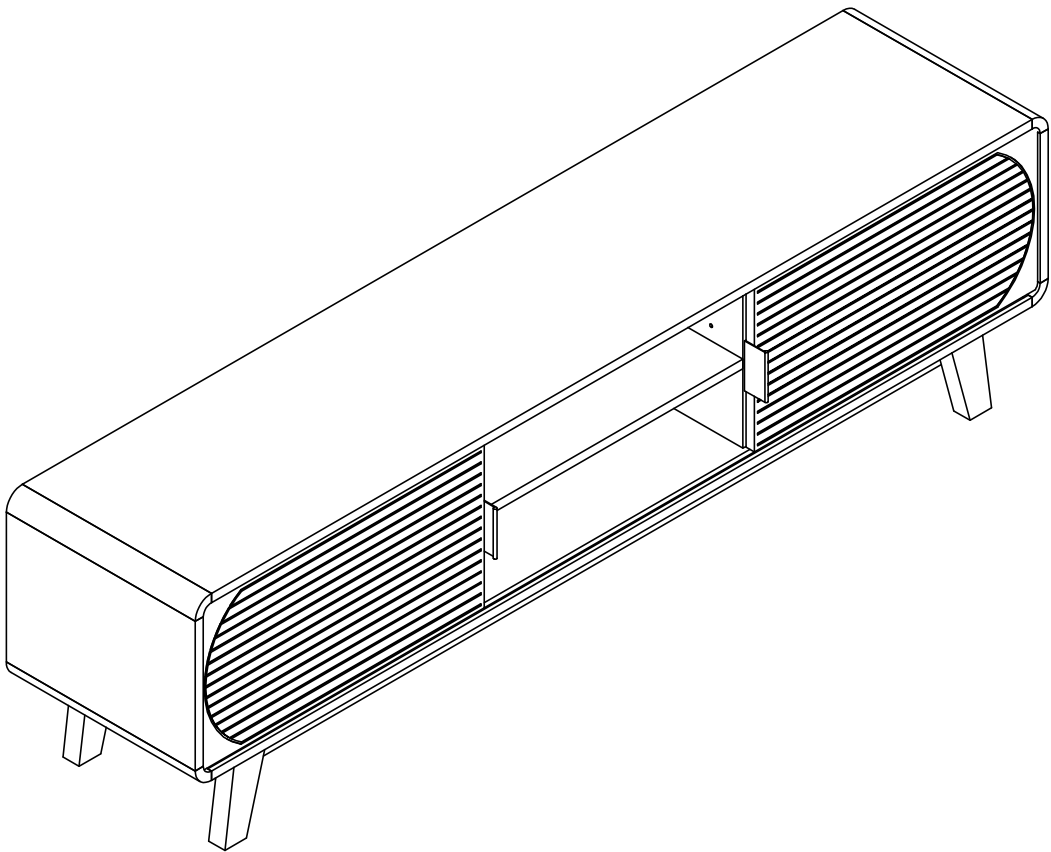


Installation Instruction



Assembling

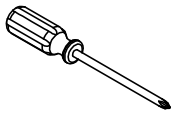
Estimated time for assembly



45 : 00

What you need

- Use the packaging carton as a working surface to prevent product damage during assembly
- Phillips head screwdriver



Weight Limitation

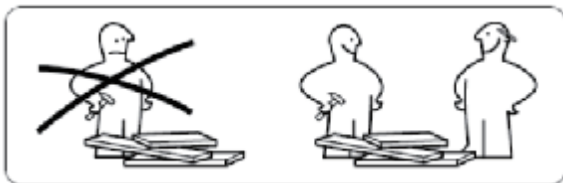


100

lbs table top

| 35

lbs per

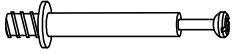


What' included

Code	Description	Qty
A	Cam Bolt M6X35MM	36
B	Cam Lock 15X10MM	36
C	Wooden Dowel M8X30MM	36
D	Screw M4X35MM	8
E	Screw M3.5X14MM	8
F	Metal Handle	2
G	Shelf Holder	4
H	Screw M3.0X14MM	24
I	The back button	12
J	EVA foot mat	4
K	Circular hole Decals	24
L	Door latch	4
M	Screw M7X50MM	4
N	Guide wheel	4
O	Wrench M4X55MM	1
P	Four hole iron sheet	2
Q	Adjustable Foot	2

The Hardwares

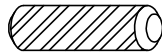
(A)



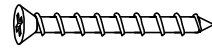
(B)



(C)



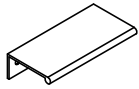
(D)



(E)



(F)



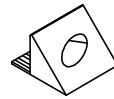
(G)



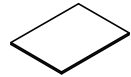
(H)



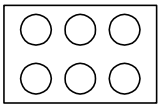
(I)



(J)



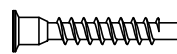
(K)



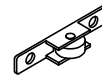
(L)



(M)



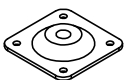
(N)



(O)



(P)



(Q)



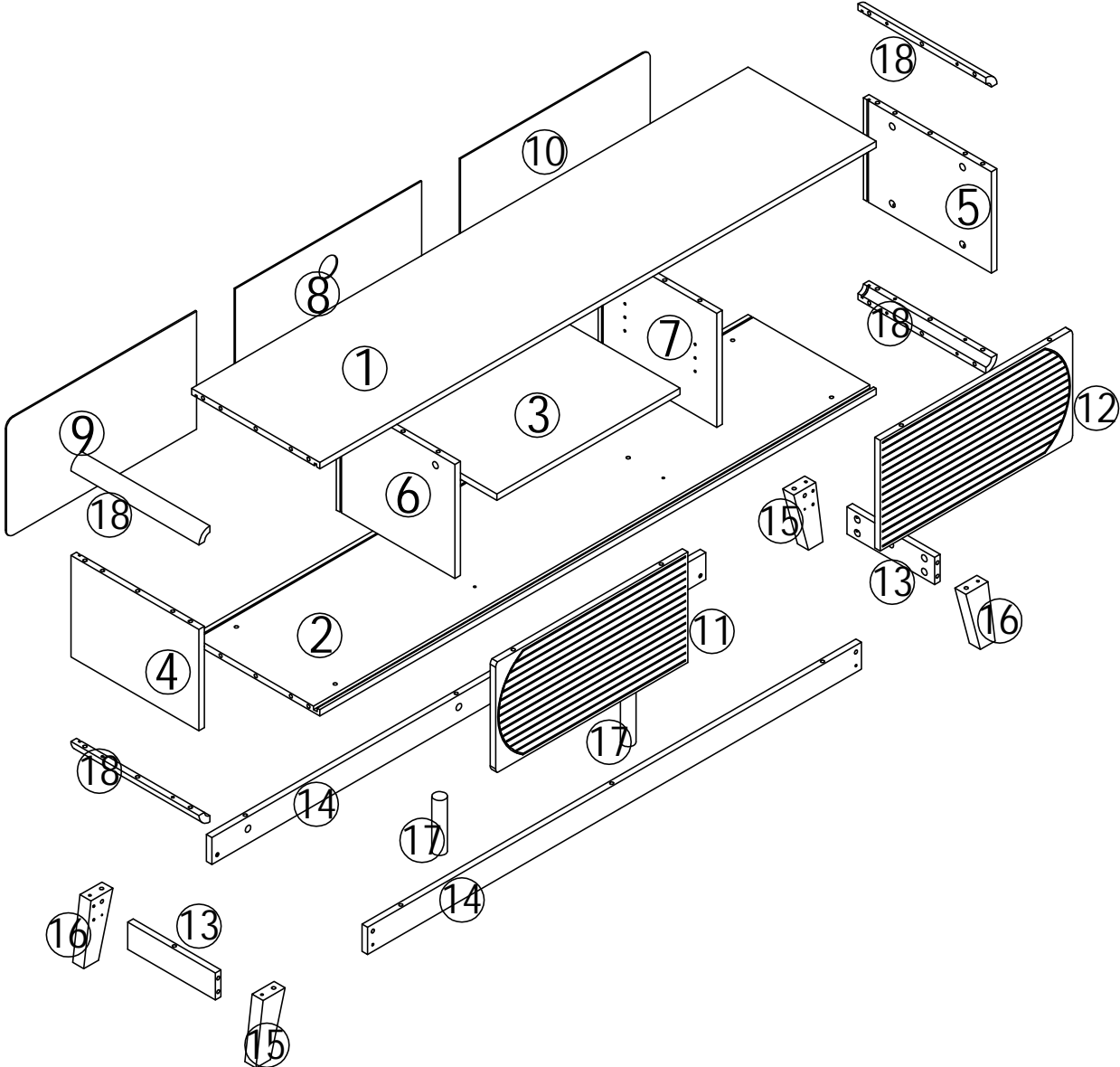
IMPORTANT:

1. Do not tighten bolts / screws completely until all bolts / screws are lined up and inserted into holes.
2. Do not over tighten screws and bolts to avoid stripping
3. Please use hand tools to assemble this product. Do not use power tools.

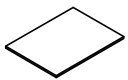
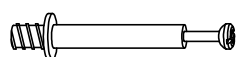
Included Accessories

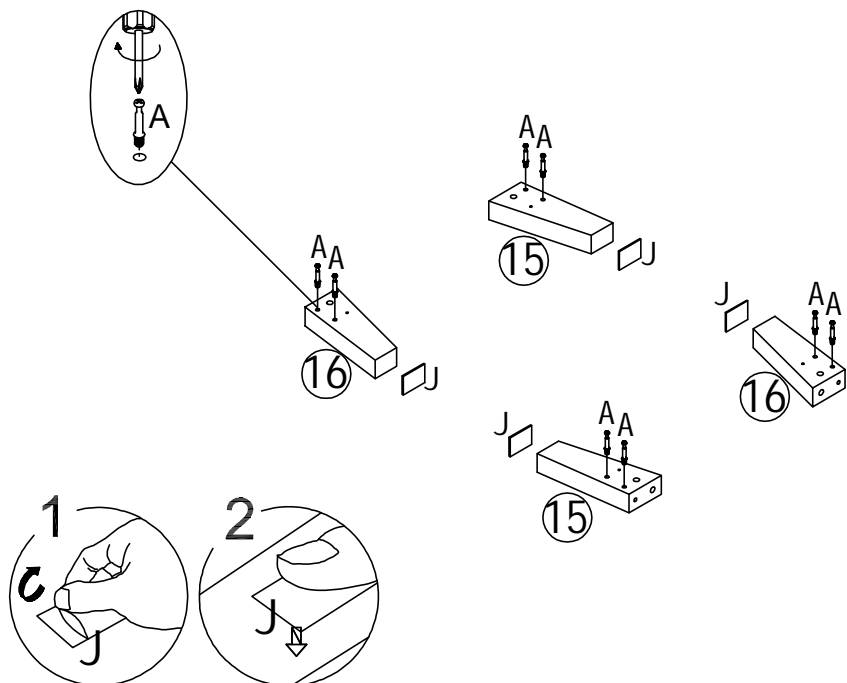
Code	Description	Qty
1	Cabinet Top	1
2	Bottom Panel	1
3	Laminated Plate	1
4	Left Side Panel	1
5	Right Side Panel	1
6	Left Vertical Plate	1
7	Right Vertical Plate	1
8	Middle Backboard	1
9	Left Backboard	1
10	Right Backboard	1
11	Left Door Leaf	1
12	Right Door Leaf	1
13	Short Meeting Stile	2
14	Long Meeting Stile	2
15	Rectangle Supporting Foot	2
16	Rectangle Supporting Foot	2
17	Round Supporting Foot	2
18	Curved Connecting Strip	4

The Accessoriess




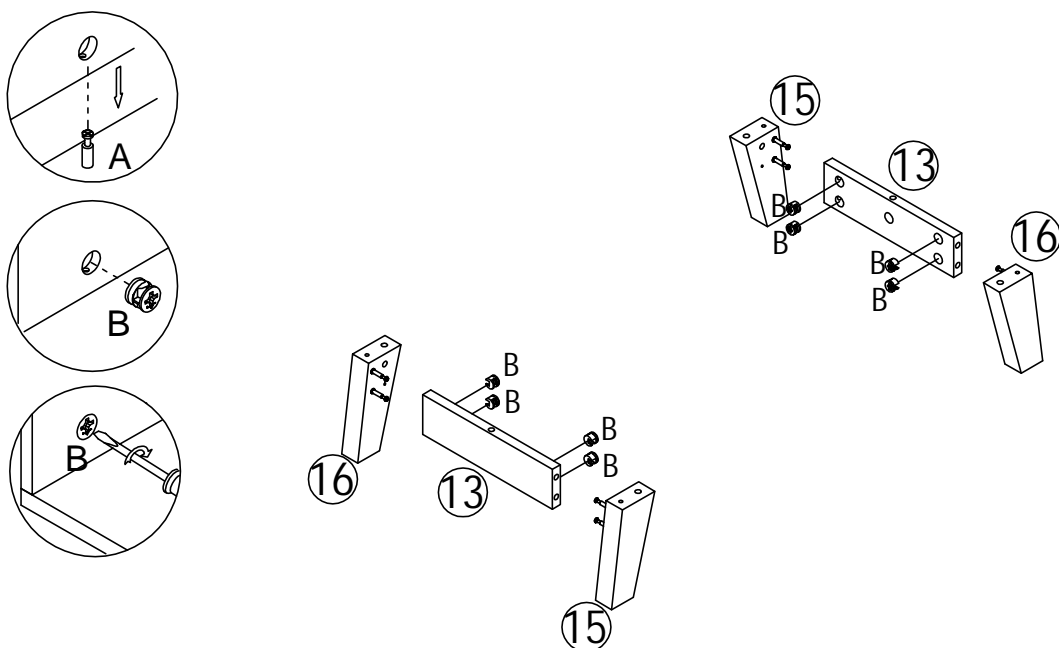
Step 1

J	x 4	A	x 8
			



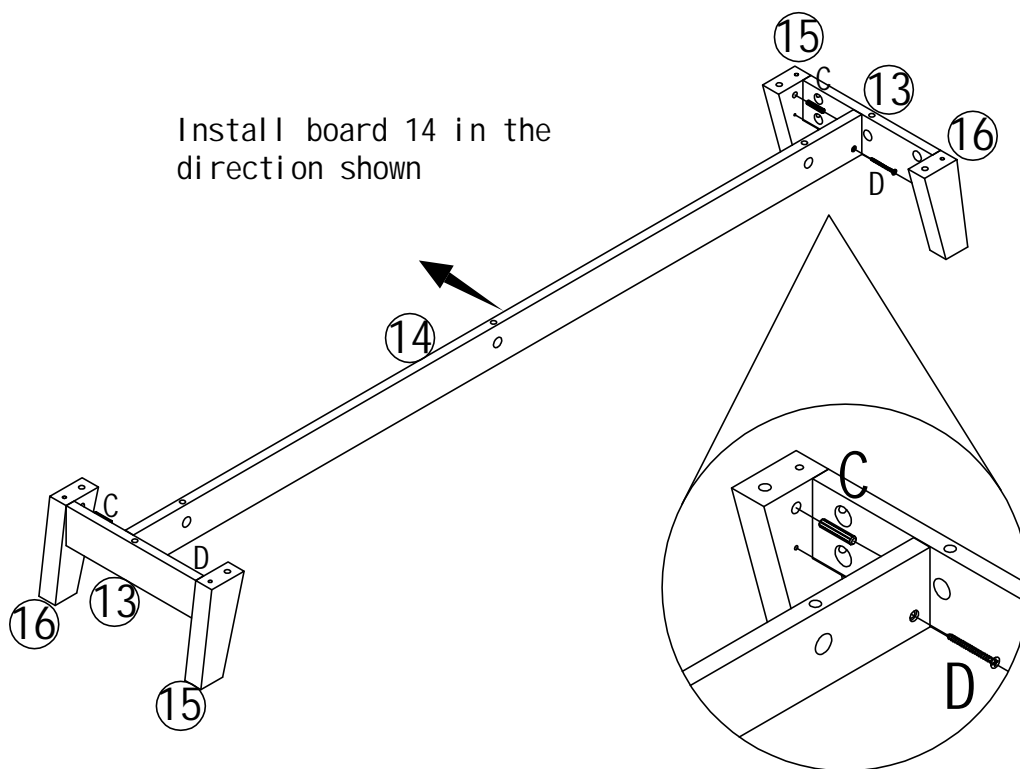
Step 2

B	x 8
	



Step 3

Install board 14 in the direction shown

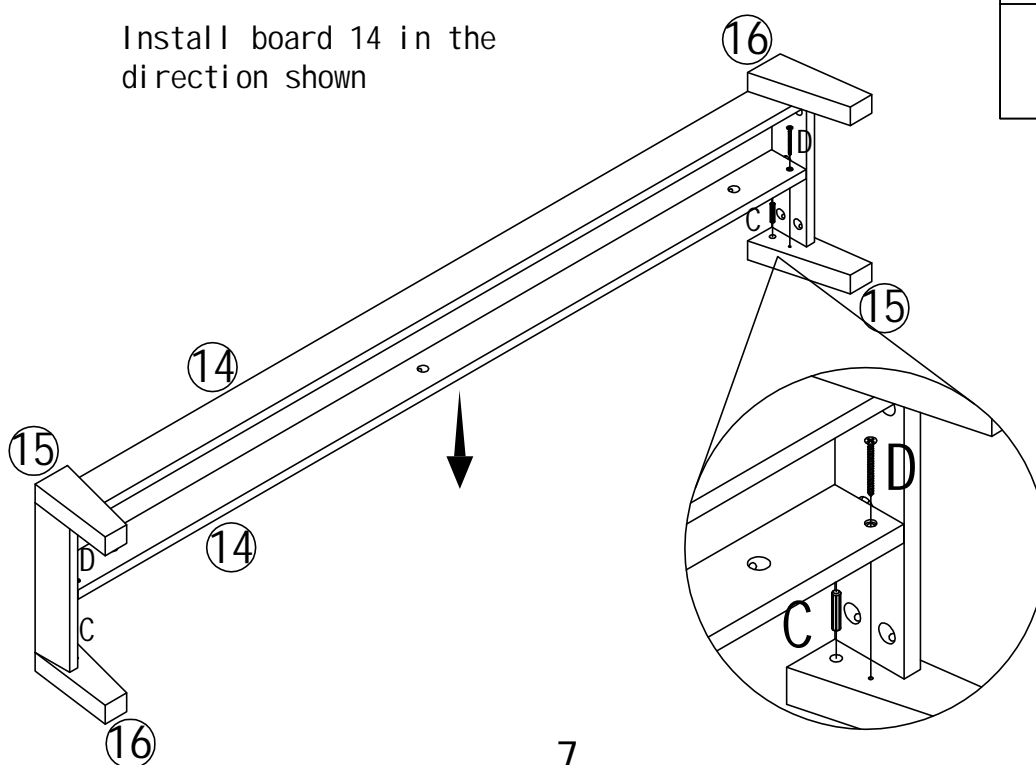


C	x 2

D	x 2

Step 4

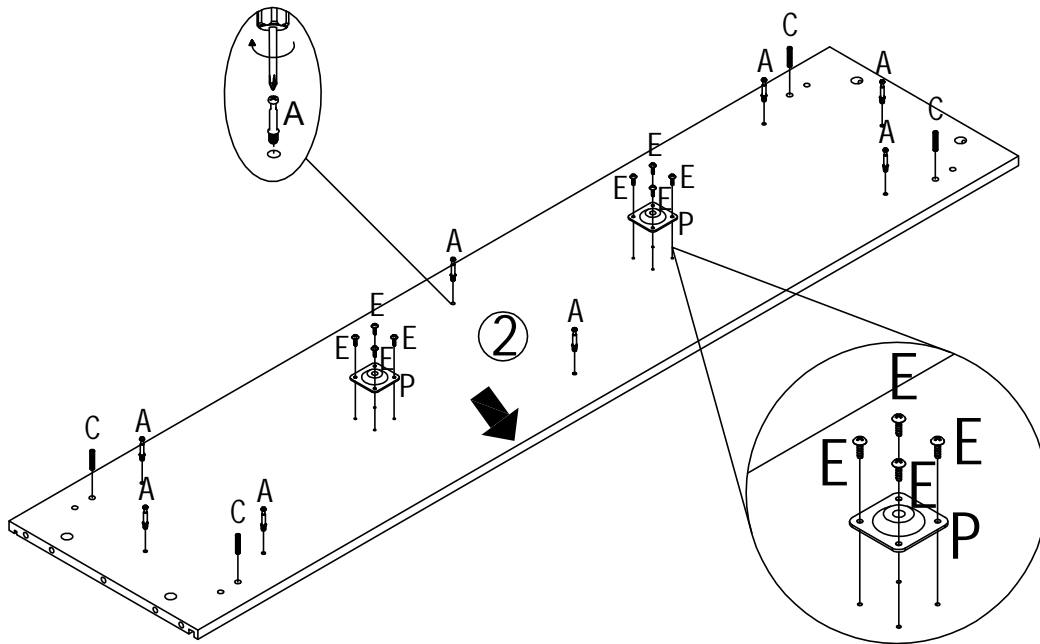
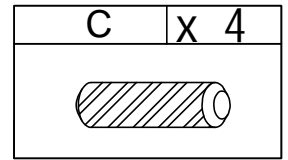
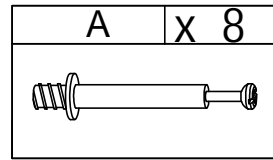
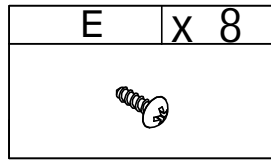
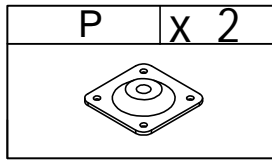
Install board 14 in the direction shown



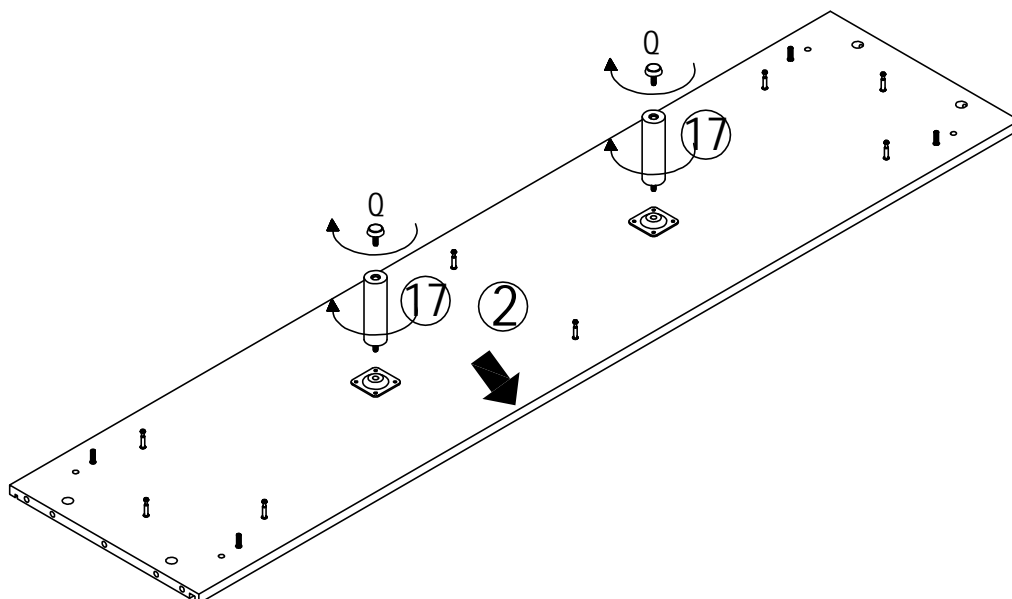
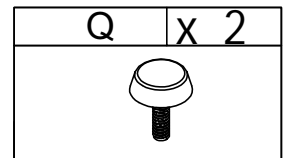
C	x 2

D	x 2

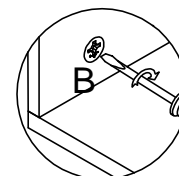
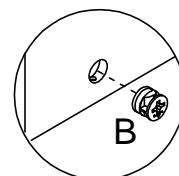
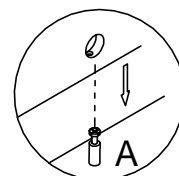
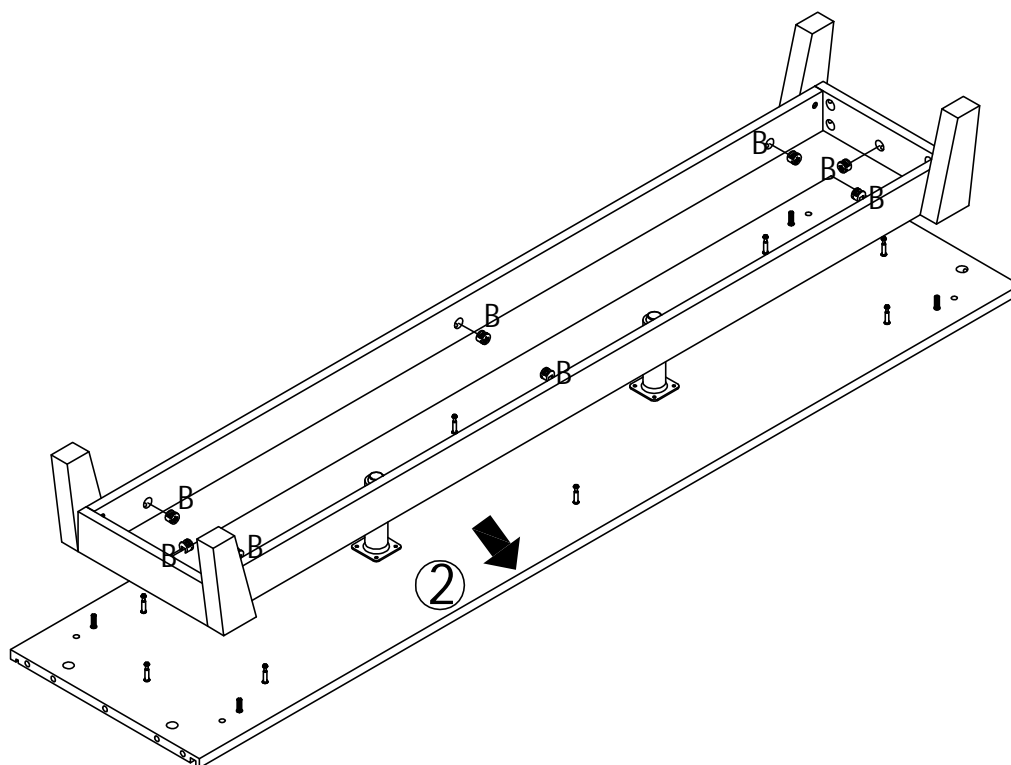
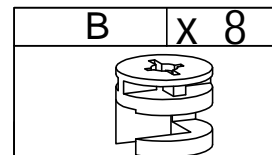
Step 5



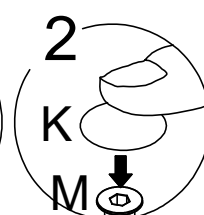
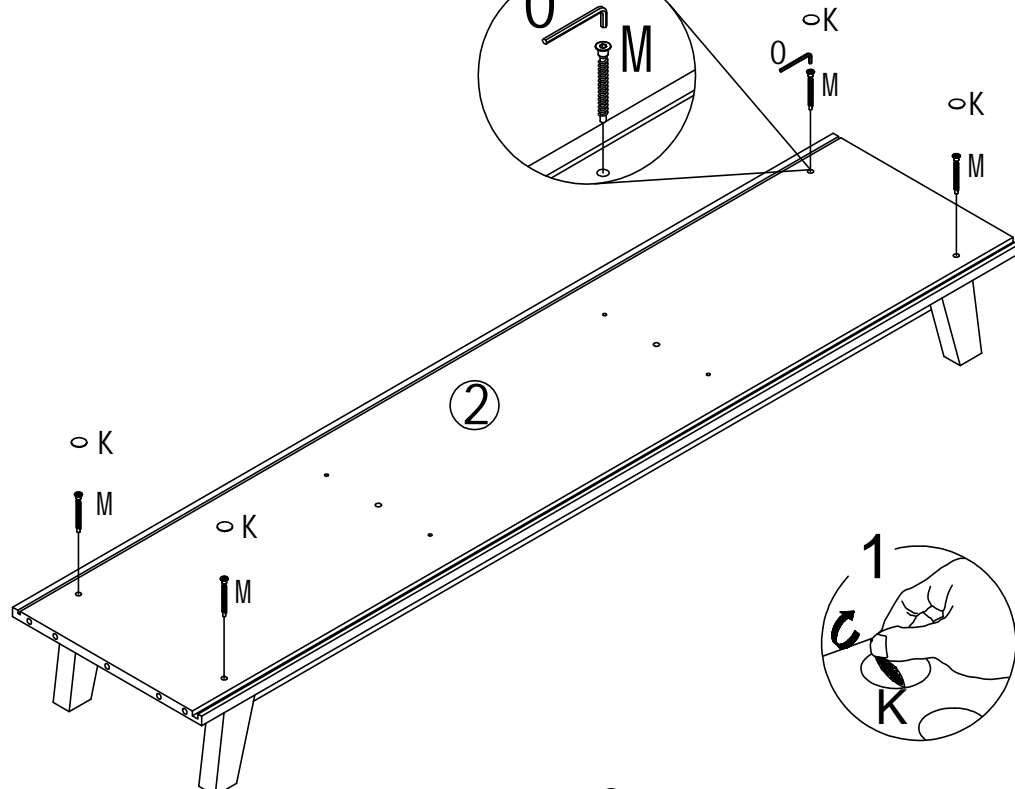
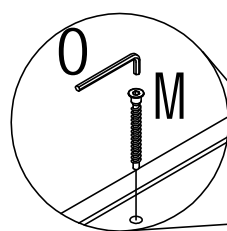
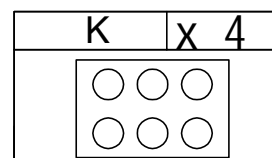
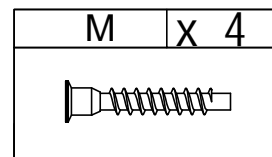
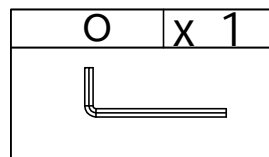
Step 6



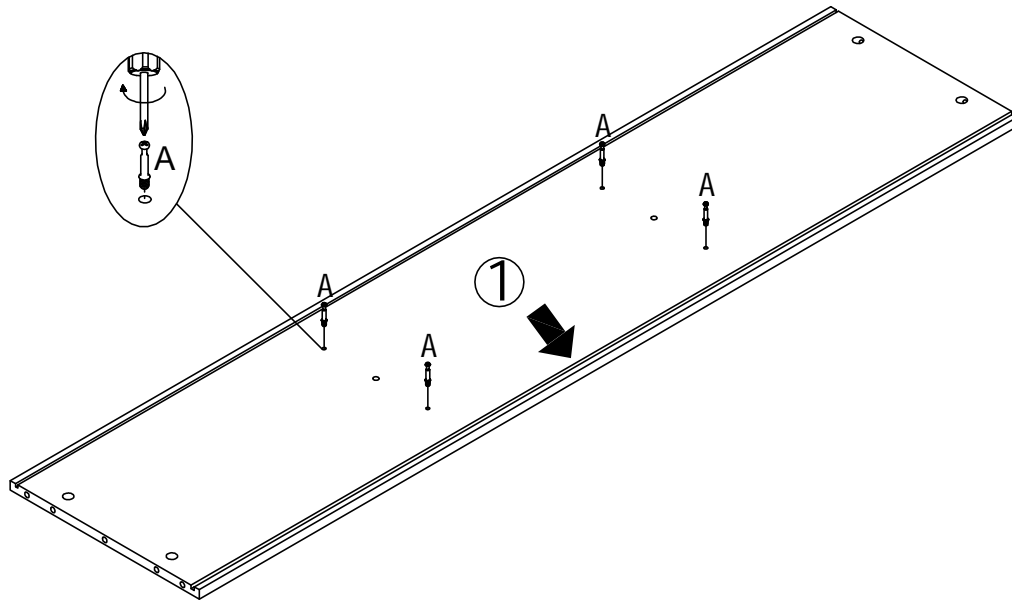
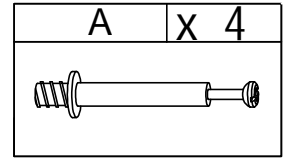
Step 7



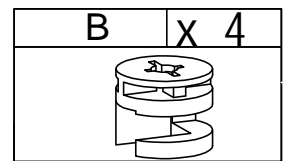
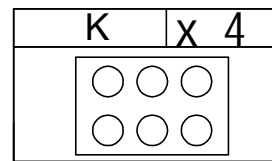
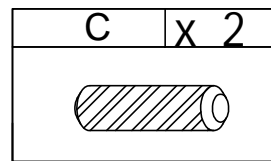
Step 8



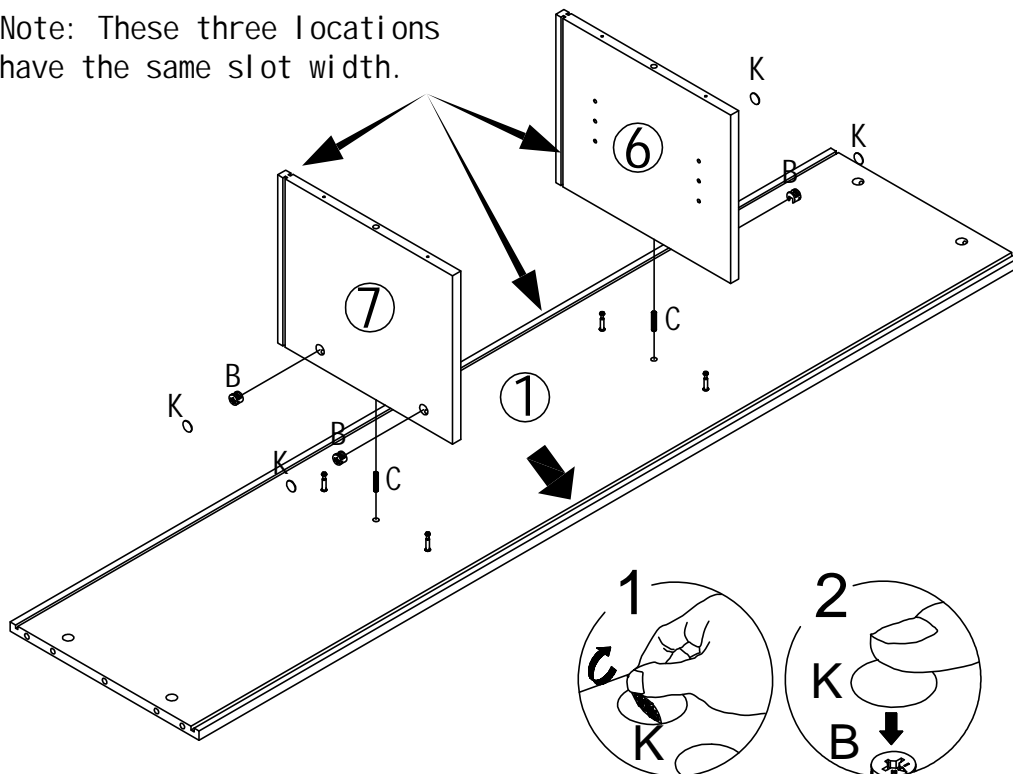
Step 9



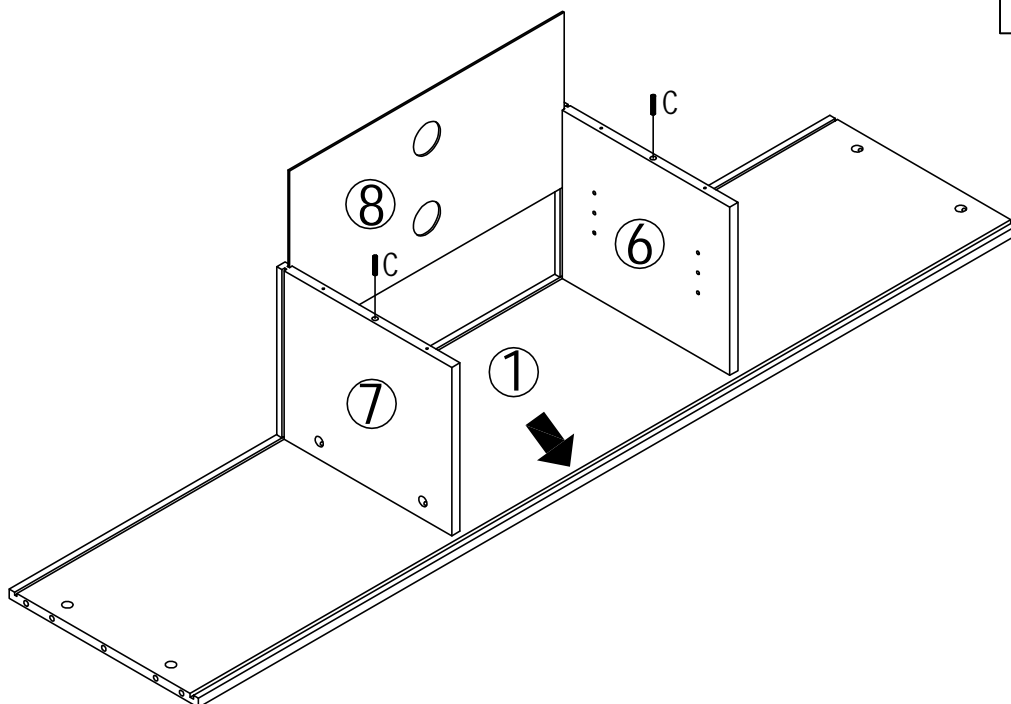
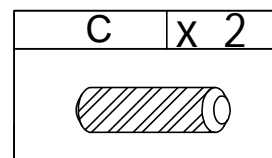
Step 10



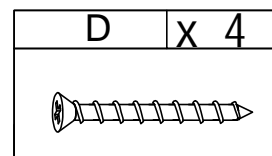
Note: These three locations have the same slot width.



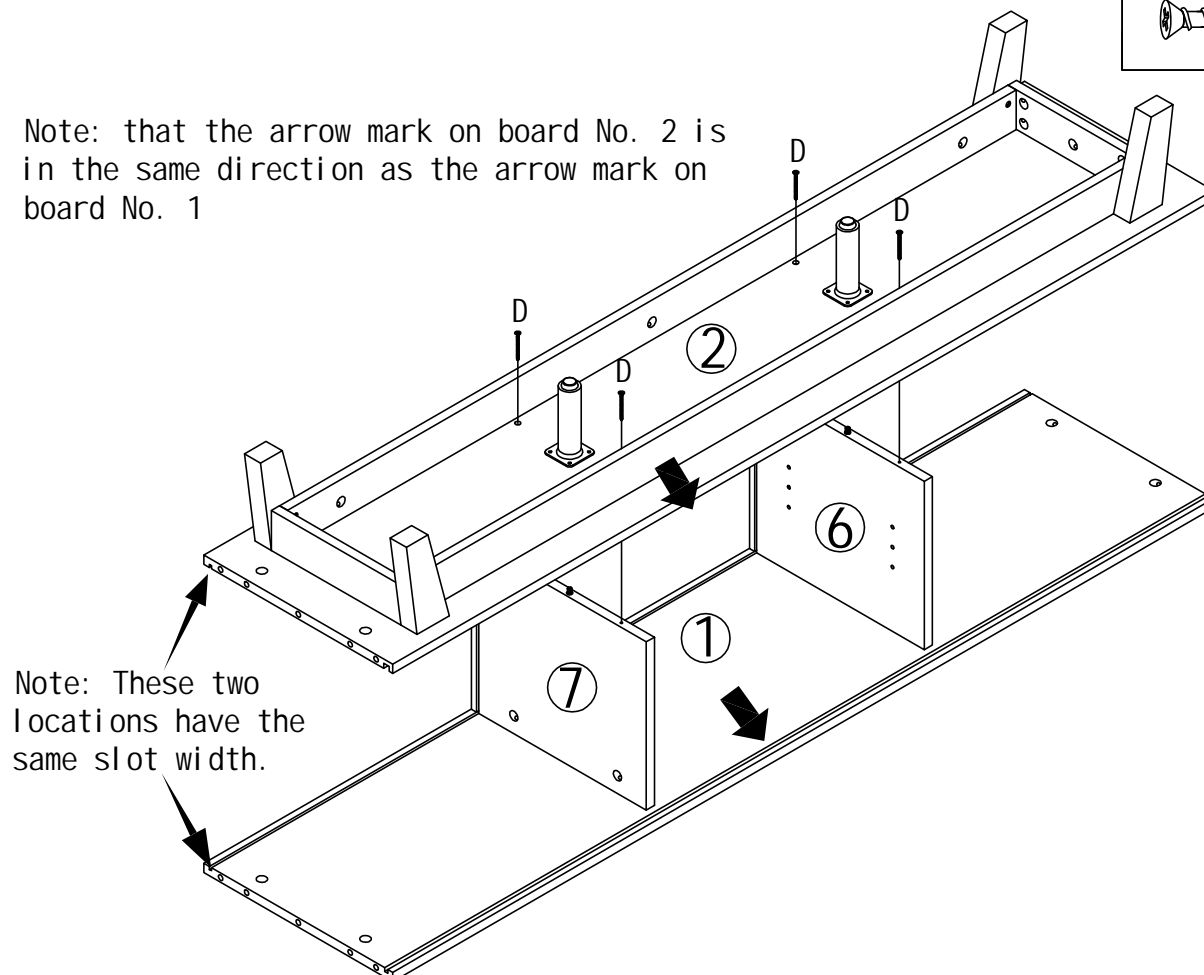
Step 11



Step 12

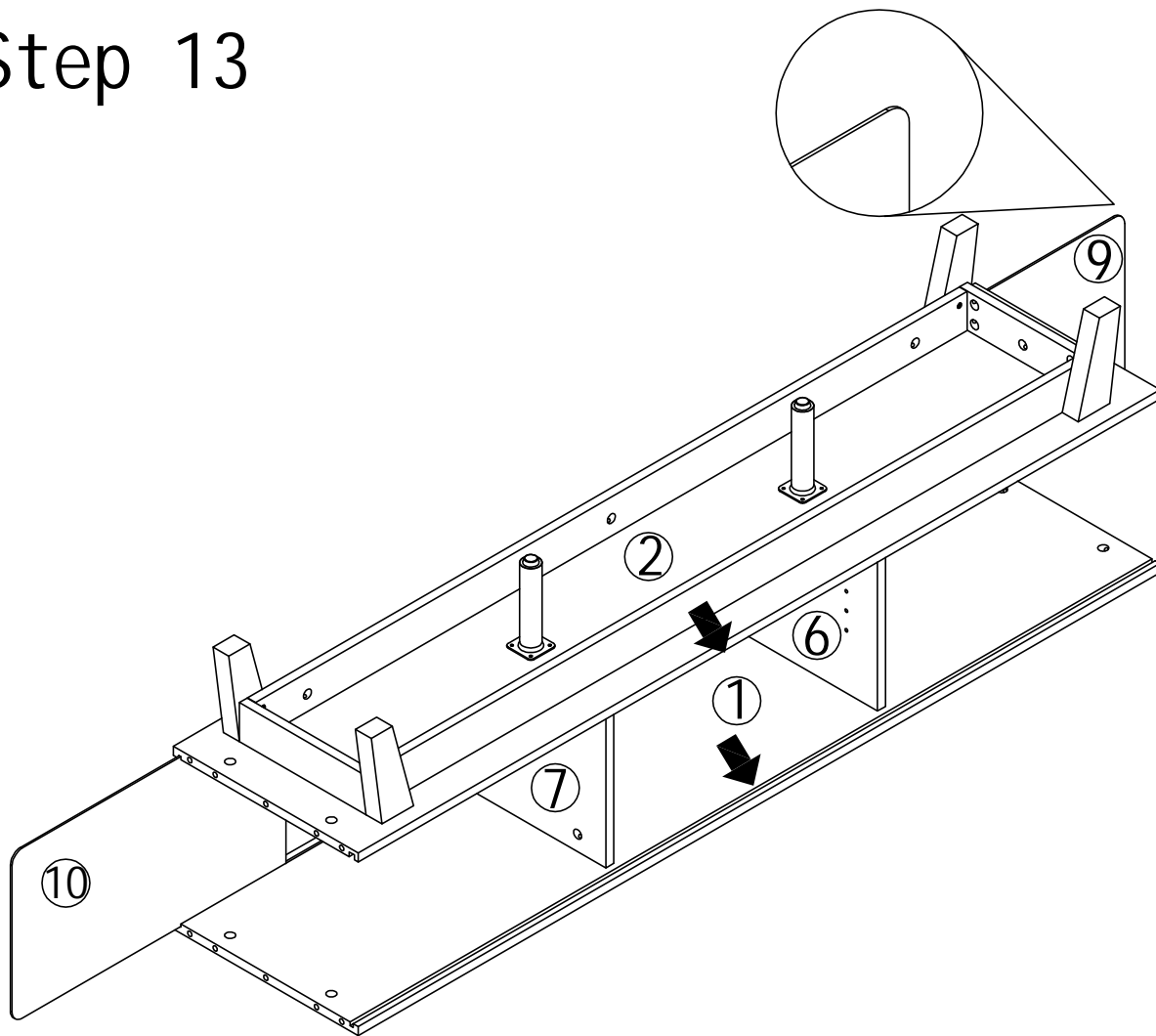


Note: that the arrow mark on board No. 2 is in the same direction as the arrow mark on board No. 1

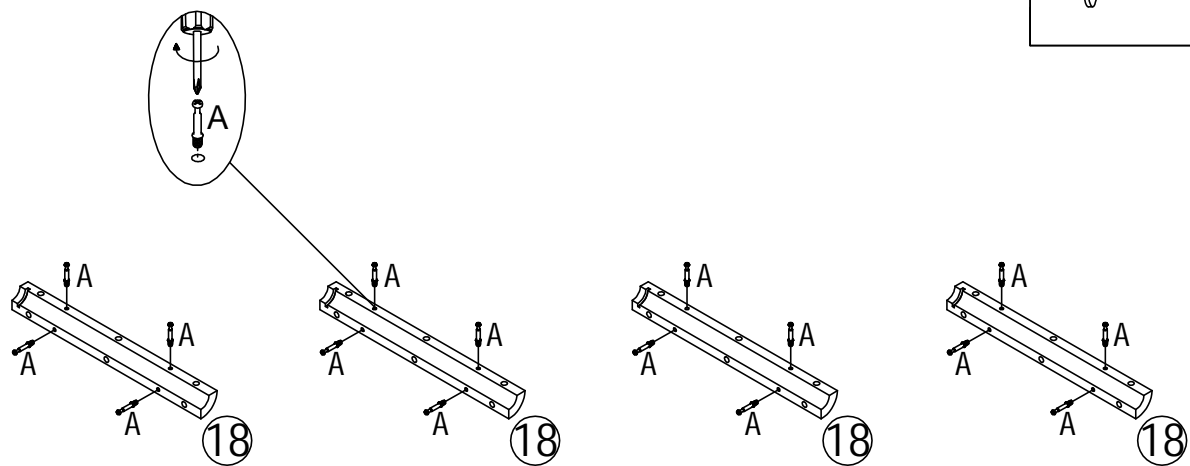
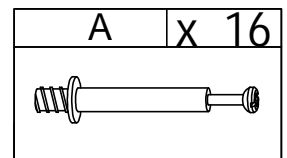


Note: These two locations have the same slot width.

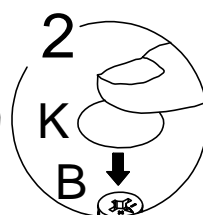
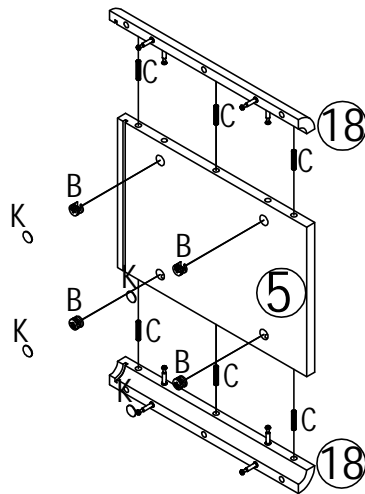
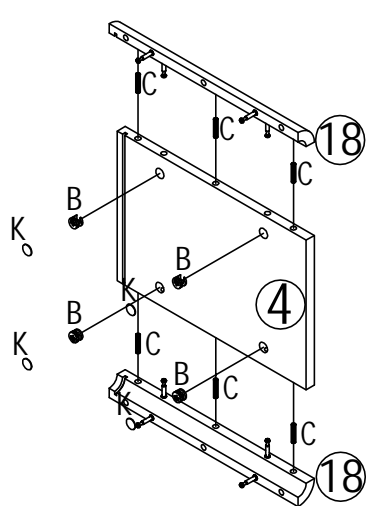
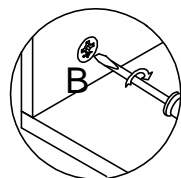
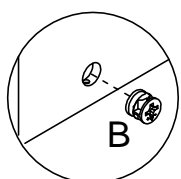
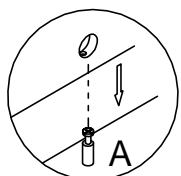
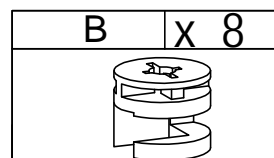
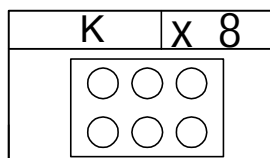
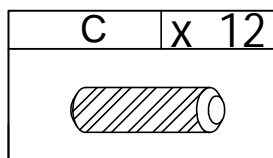
Step 13



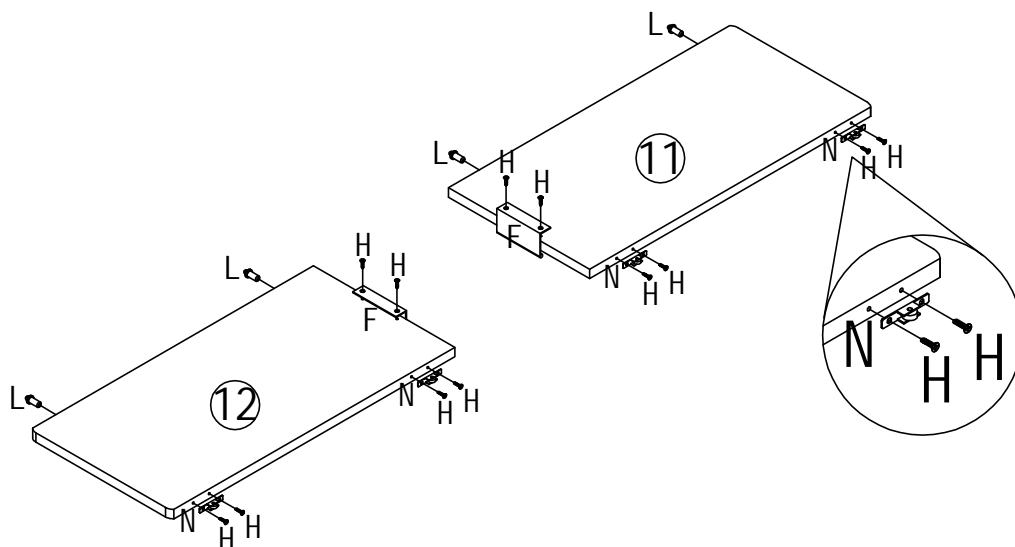
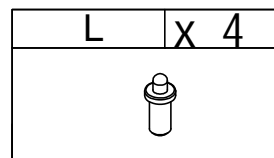
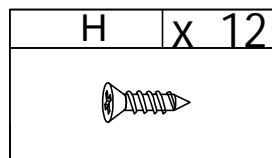
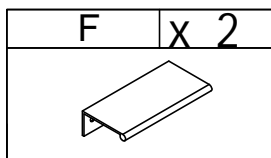
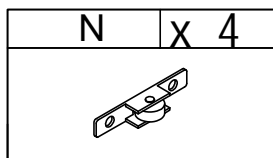
Step 14



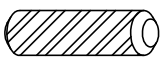
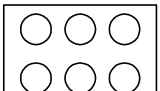

Step 15

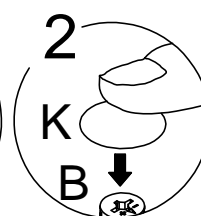
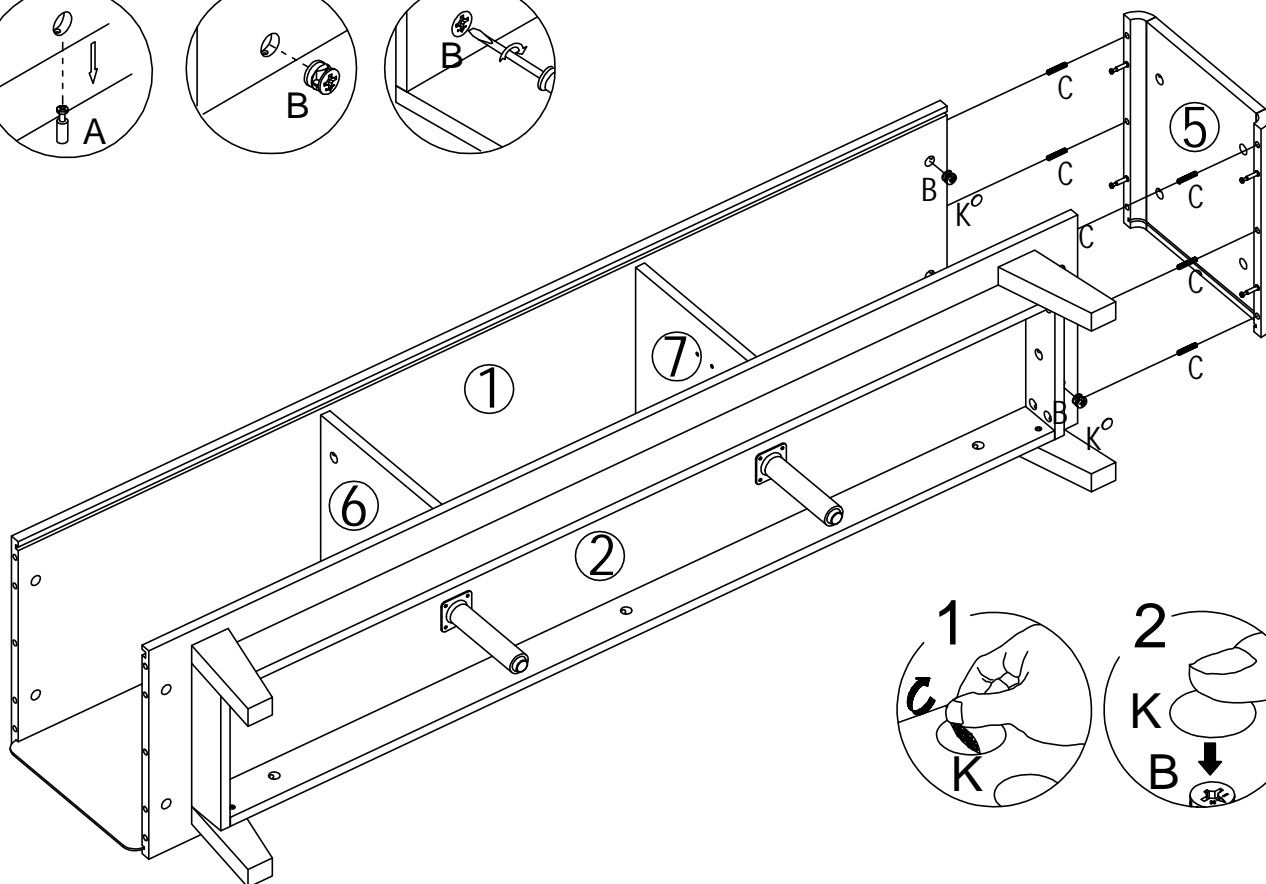
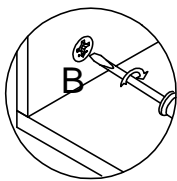
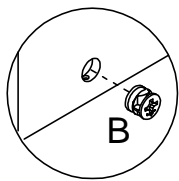
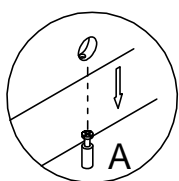


Step 16

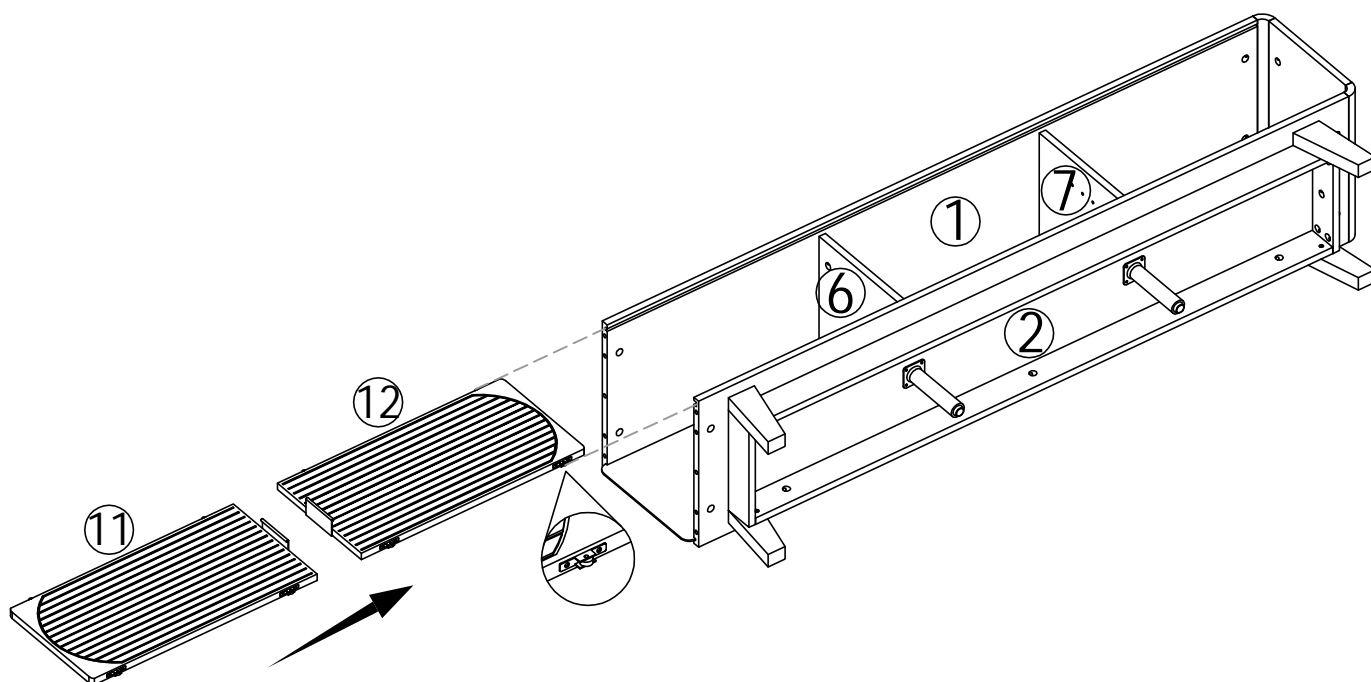


Step 17

C	X 6	K	X 4	B	X 4
					



Step 18

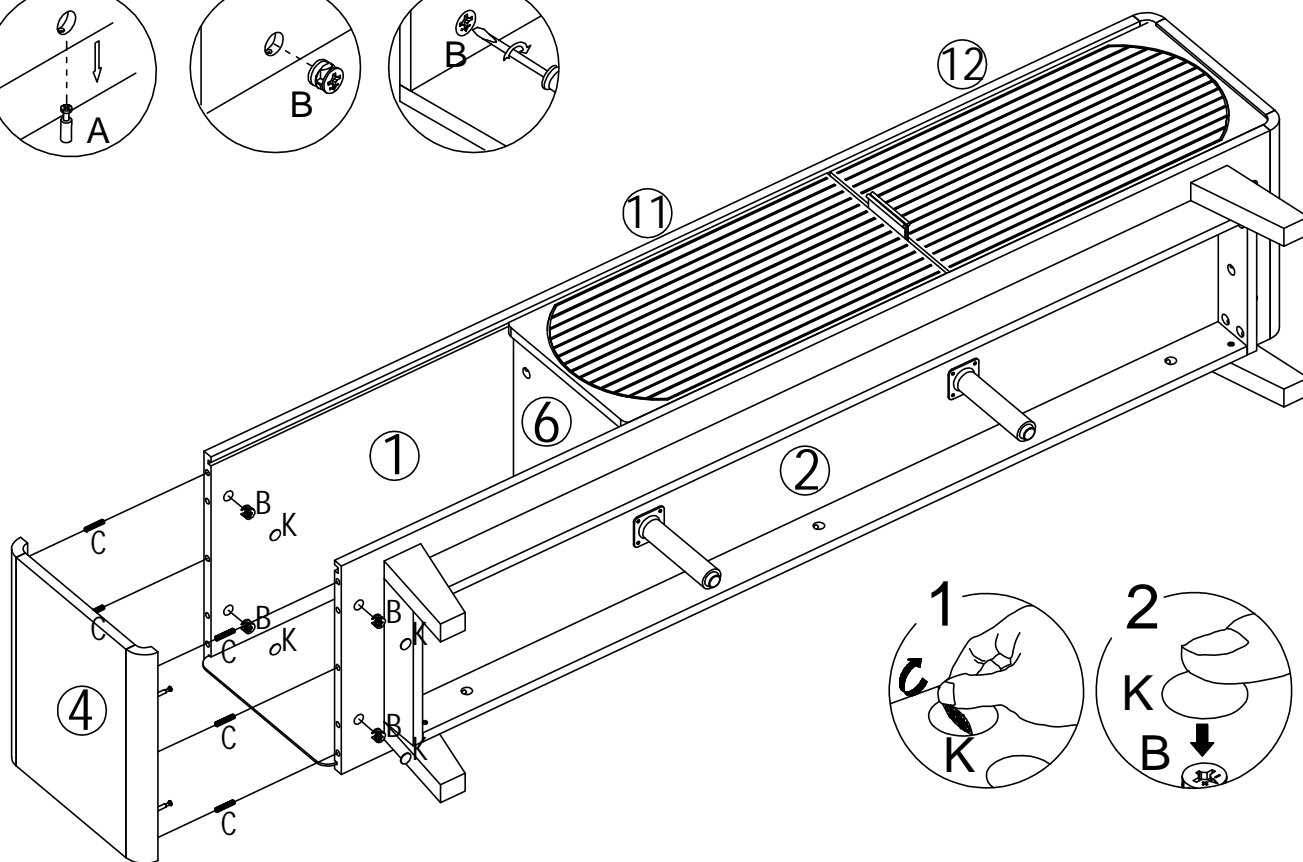
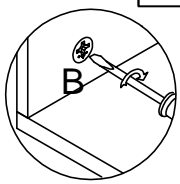
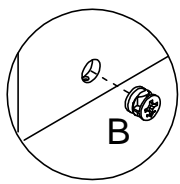
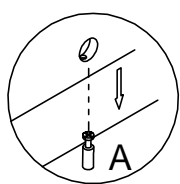


Step 19

C	X 6

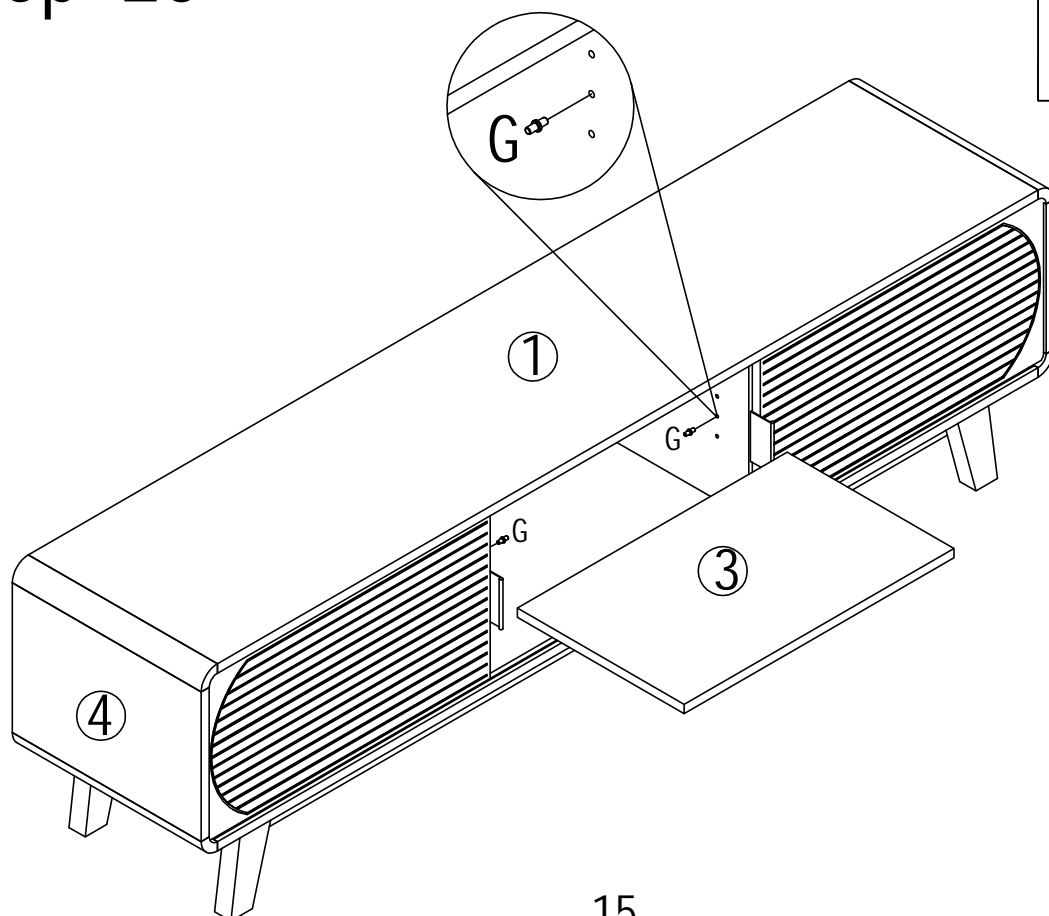
K	X 4

B	X 4

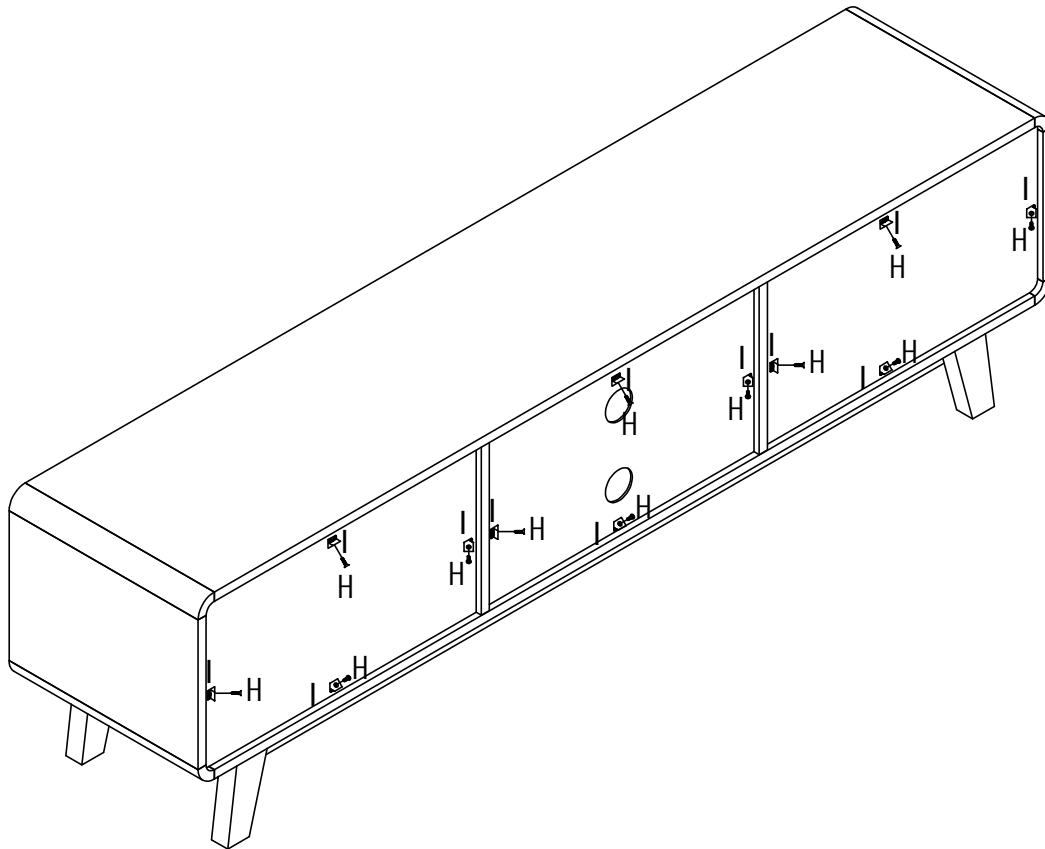
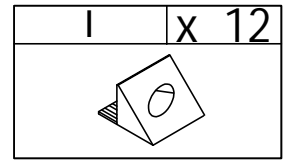
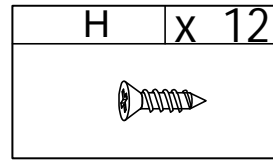


Step 20

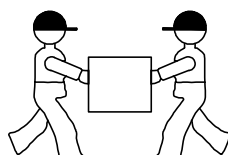
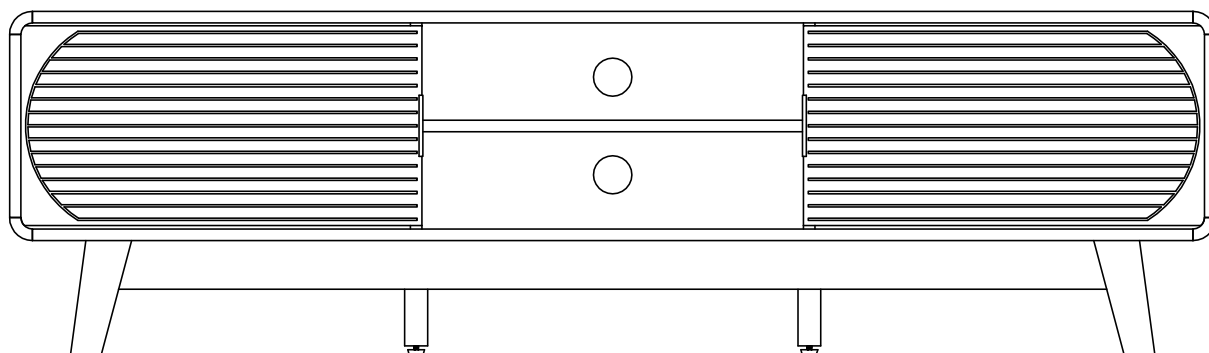
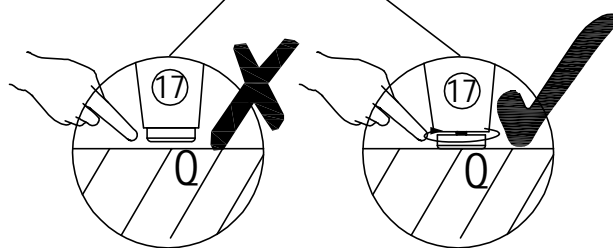
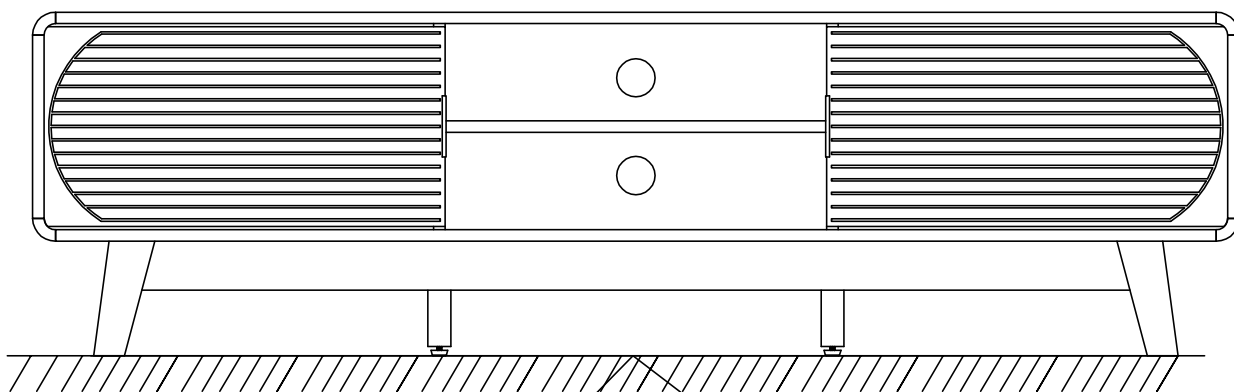
G	X 4



Step 21



Step 22



Two people work together to move the cabinet.
Make sure you lift it off the ground.
Don't push and pull.