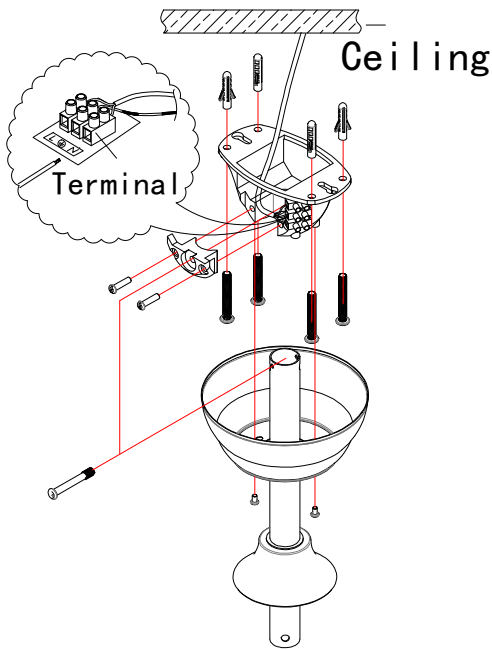
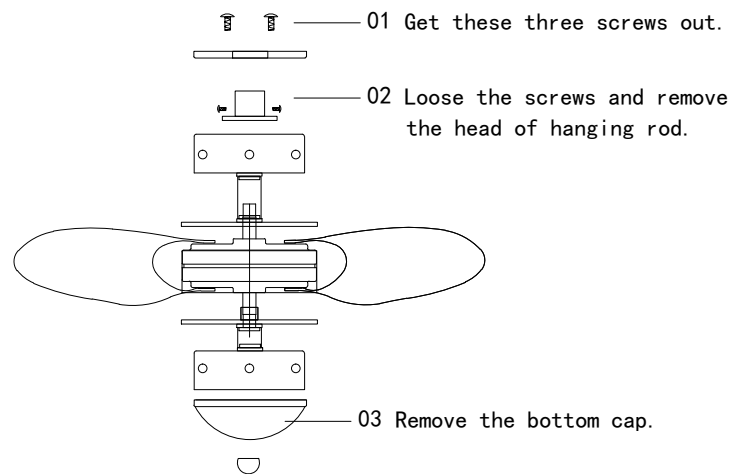


Installation Instruction

Part 1: Fix the hanging plate on the position where the lamp needs to be hung.

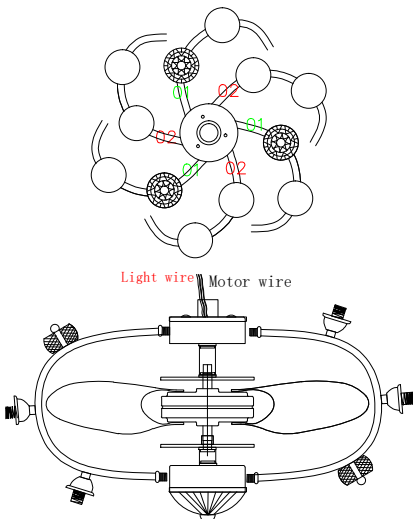


Part 2: Lamp Body Disassembly



Part 3: Lamp Arms Assembly

- 01 There are two kinds of lamp arms. You can classify them according to the number ①/② on the package.
- 02 Stagger the lamp arms ①/② when assemble.
- 03 All The power lines should be upward when assemble.
- 04 Fasten the lamp arms and lock the hexagon nuts. Connect up the wires.
- 05 When the above steps finish, tighten the screws back and reconstruct the lamp body.



Part 4: Downrod Assembly

