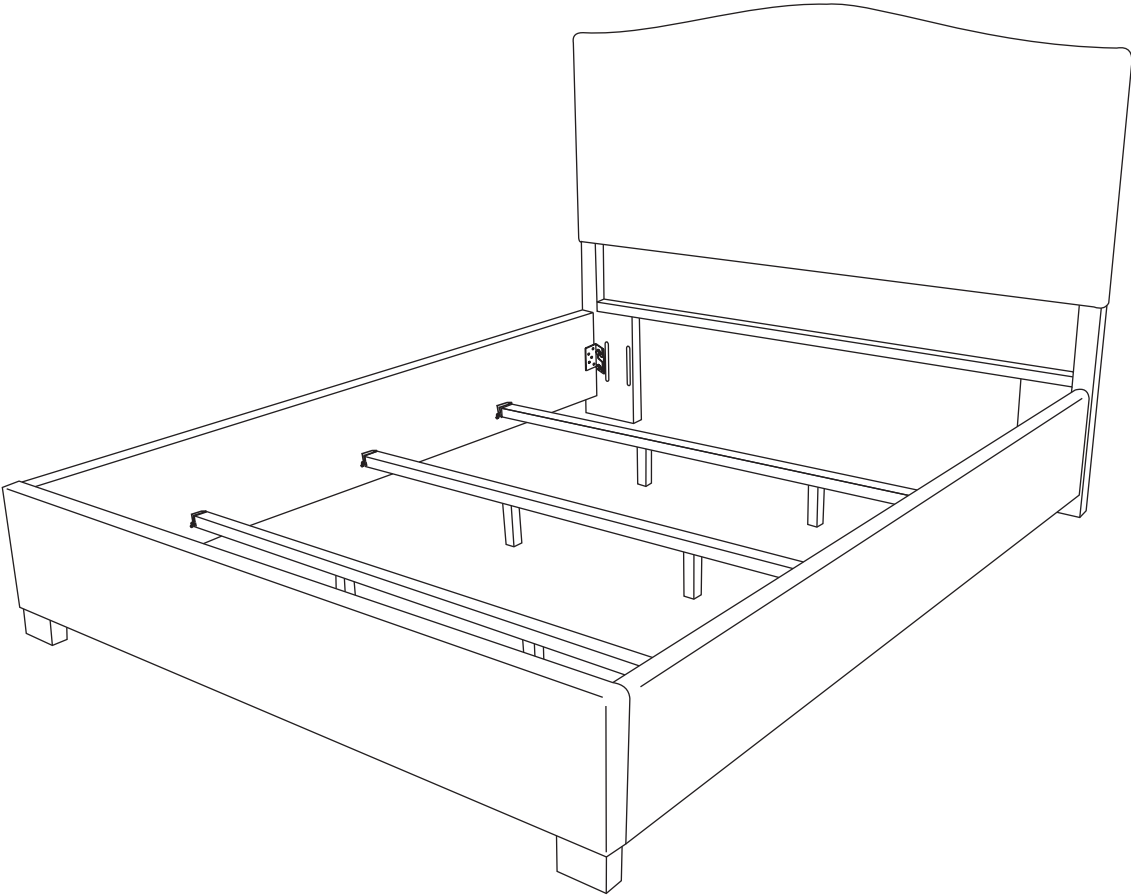
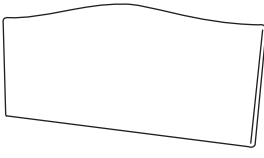



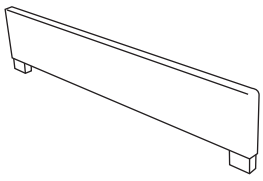
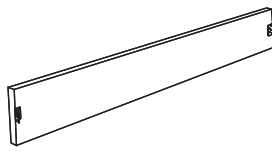




# Queen Bed



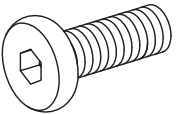
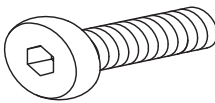


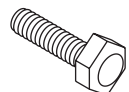
# PART LIST

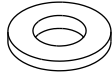
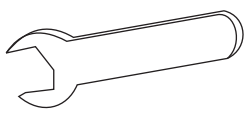
				
Headboard Panel 1 PC	Right Headboard Post 1 PC	Left Headboard Post 1 PC	Crossbar 1 PC	Footboard Panel 1 PC

		
Side Rail 2 PCS	Slats 3 PCS	Center Leg 6 PCS

Please note headboard panel, right headboard post, left headboard post and crossbar will ship separately.

# HARDWARE LIST

				
#1 $\frac{1}{2}$ " x 1.½" L Short Bolt 6 PCS (Extra 1)	#2 $\frac{1}{2}$ " x 2" L Bolt 2 PCS (Extra 1)	#3 Small Flat Washer 8 PCS (Extra 1)	#4 Allen Wrench 1 PC	#5 $\frac{1}{2}$ " x 1.¼" L Hex Bolt 8 PCS (Extra 1)

	
#6 Flat Washer 8 PCS	#7 Wrench 1 PC

## ADDITIONAL TOOLS (Not Provided)

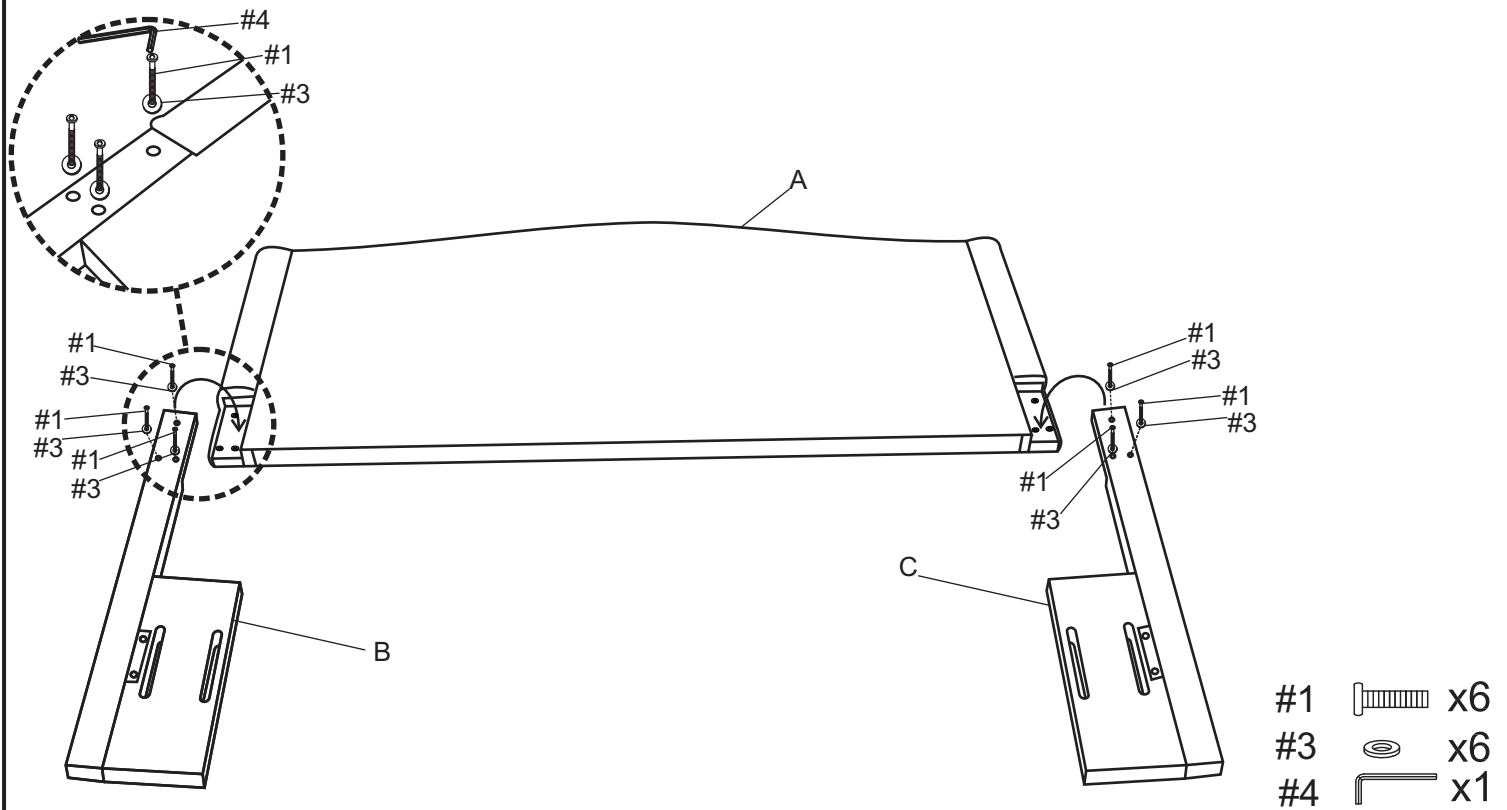
Note : It is not recommended to use power tools during assembly.



Phillips Head Screwdriver

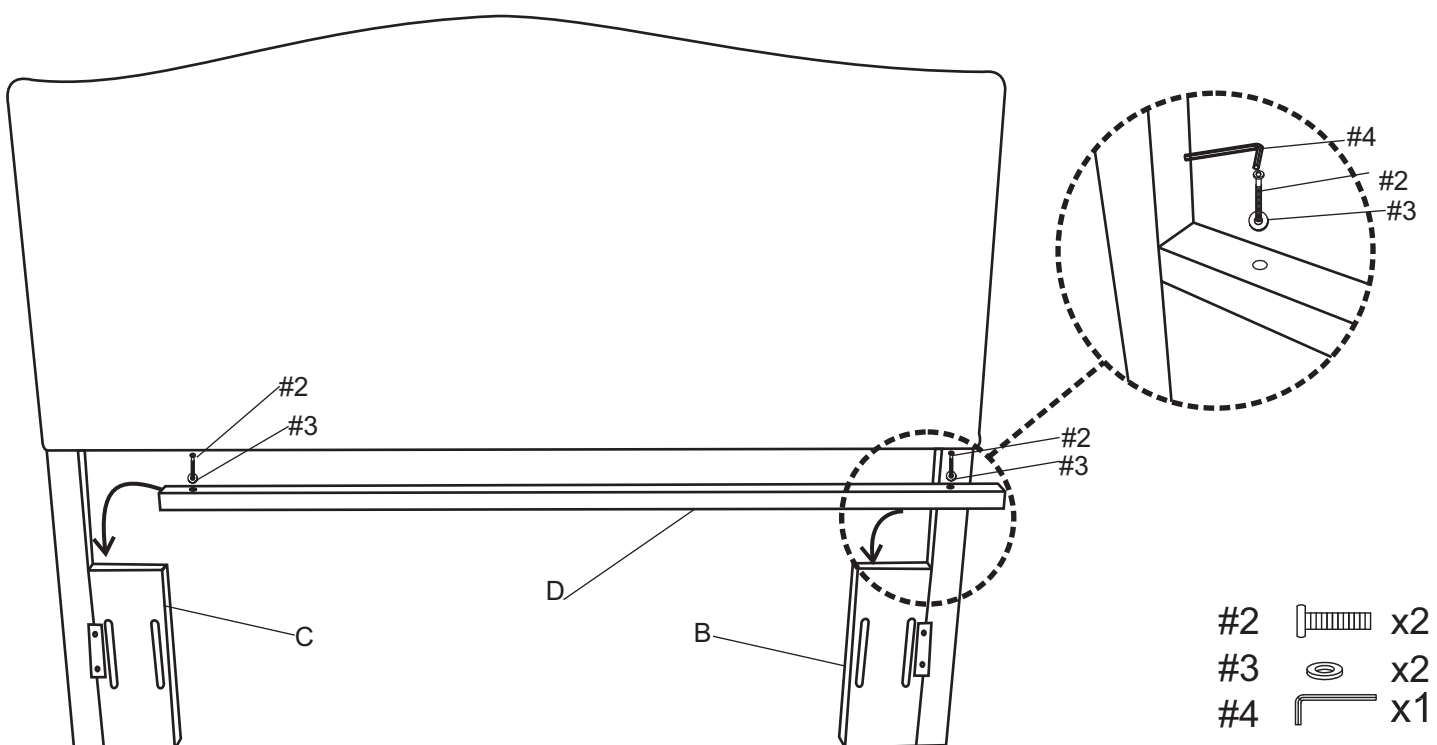
Step 1. Lay headboard panel (part A) upside down on a soft surface, such as carpet. Attach headboard posts (parts B & C) to headboard panel (part A) using short bolts (part #1), small flat washers (part #3) and allen wrench (part #4).

NOTE: Please do not fully tighten bolts until unit is fully assembled.



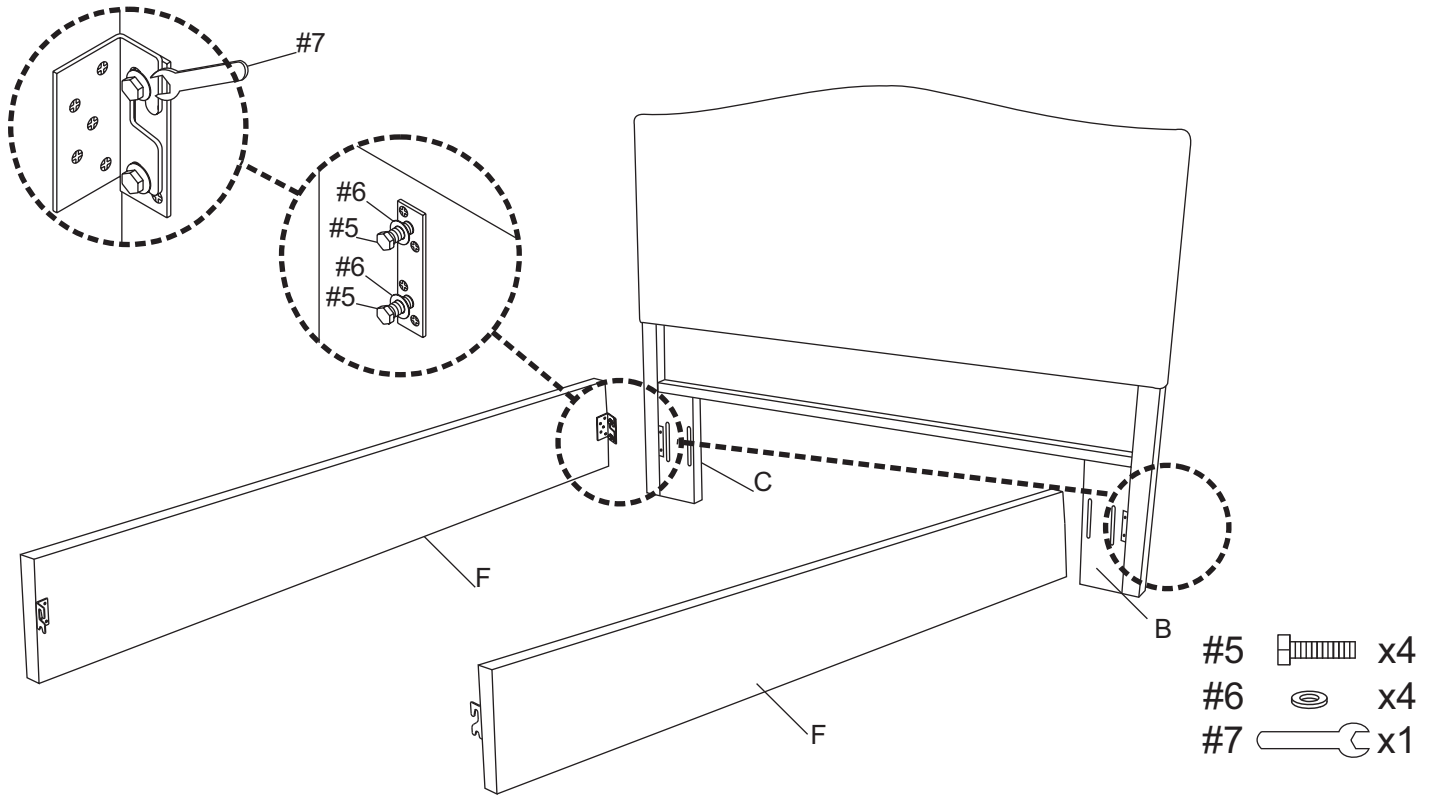
Step 2. Attach crossbar (part D) to headboard posts (parts B & C) using bolts (part #2), small flat washers (part #3) and allen wrench (part #4).

NOTE: Please do not fully tighten bolts until unit is fully assembled.



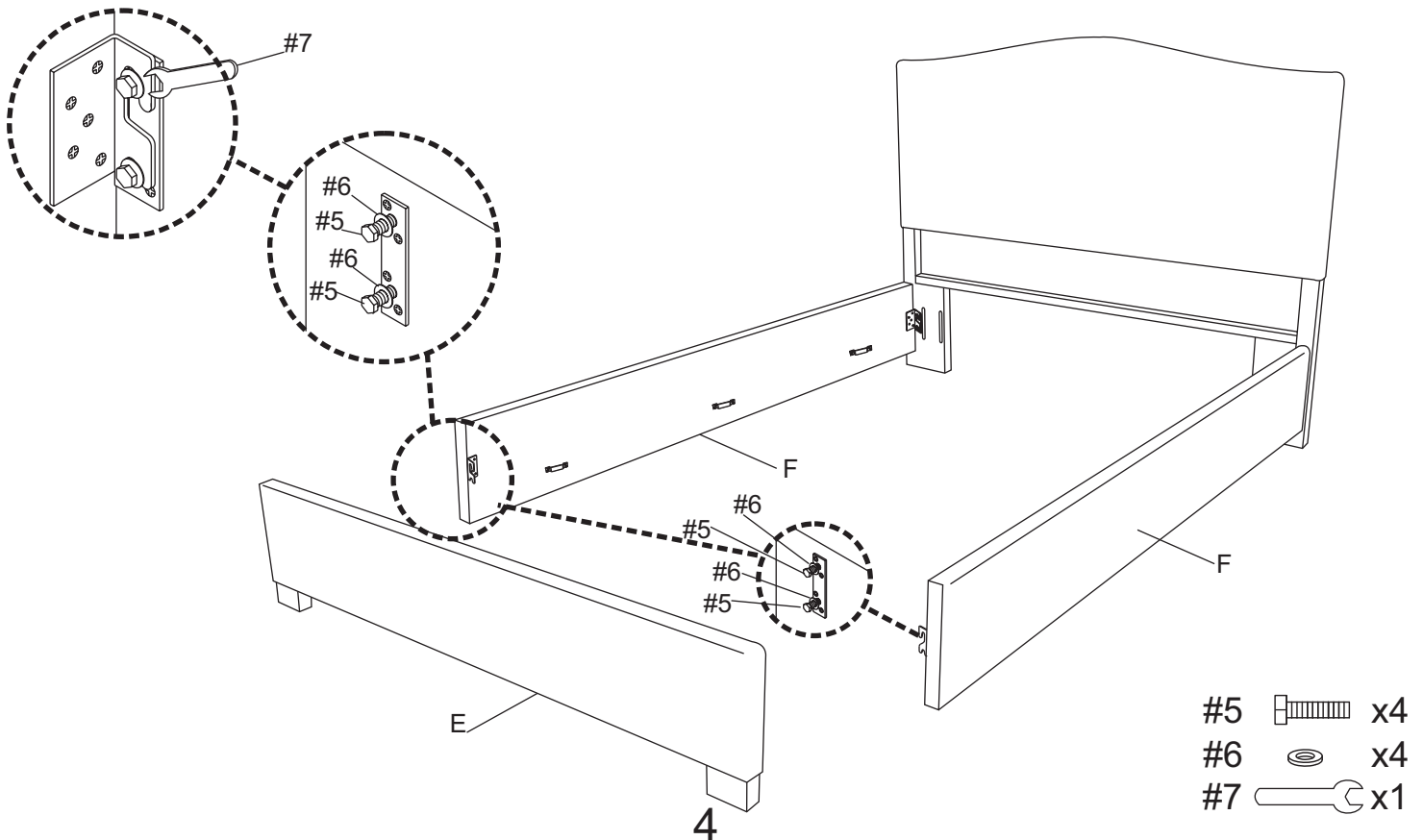
Step 3. Attach side rails (part F) to headboard posts (parts B & C) using hex bolts (part #5), flat washers (part #6) and wrench (part #7).

NOTE: Please do not fully tighten bolts until unit is fully assembled.

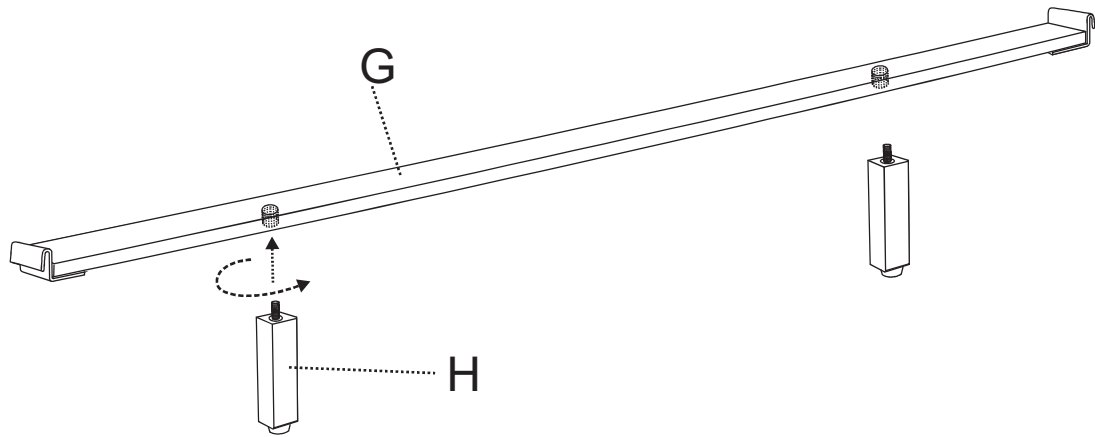


Step 4. Attach footboard panel (part E) to side rails (part F) using hex bolts (part #5), flat washers (part #6) and wrench (part #7).

NOTE: Please do not fully tighten bolts until unit is fully assembled.



Step 5. Attach center legs (part H) to slats (part G).



Step 6. Place assembled unit (parts G & H) to side rails (part F) by fitting metal supports in place.

NOTE: Please fully tighten all bolts at this time.

