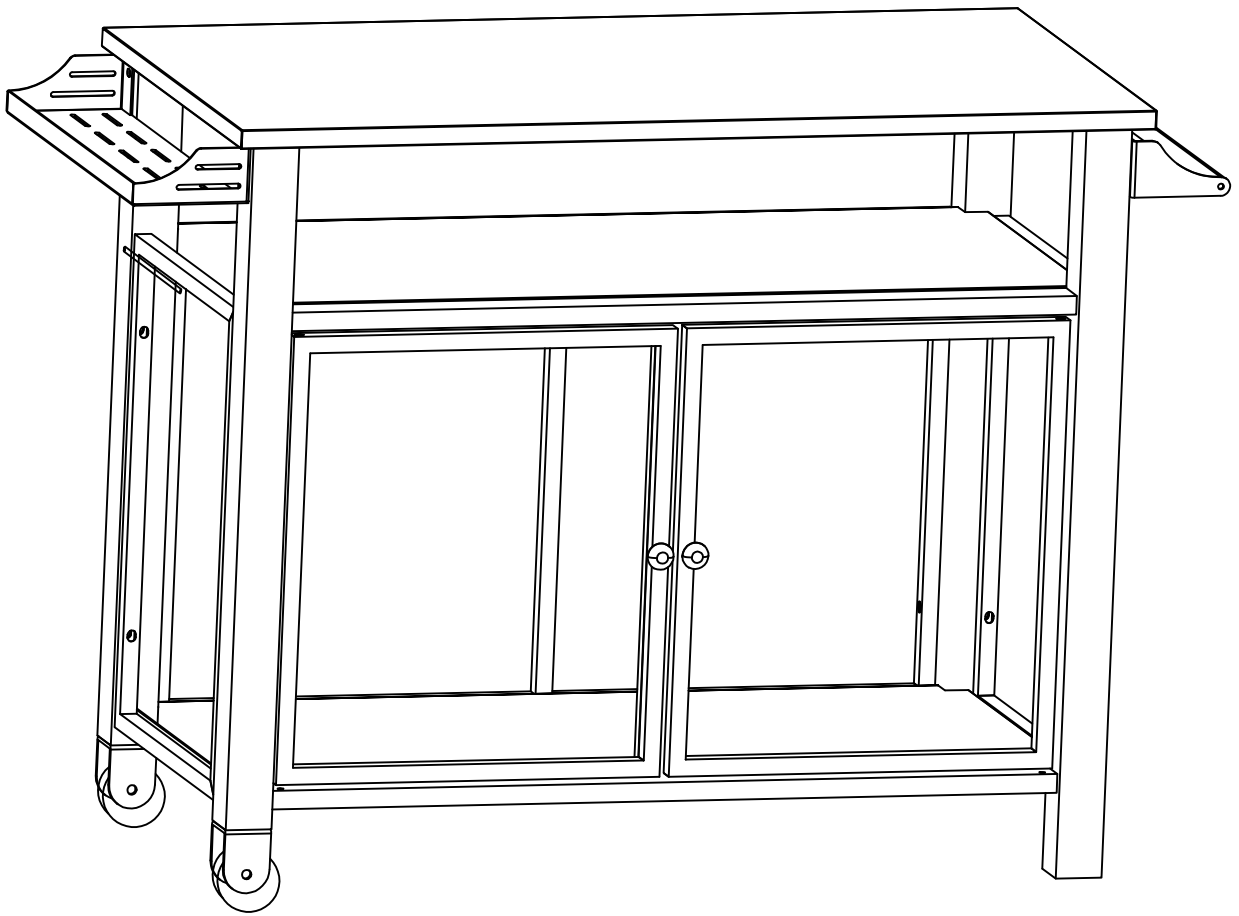
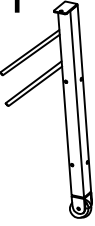

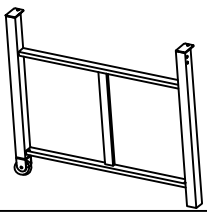
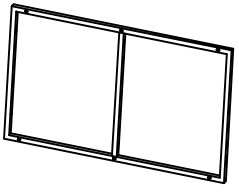
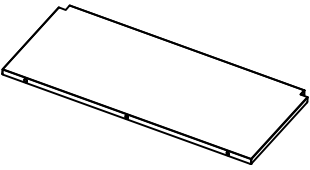
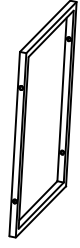
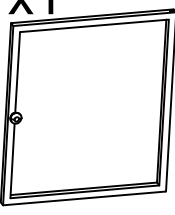
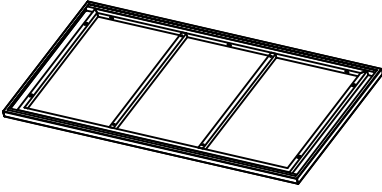
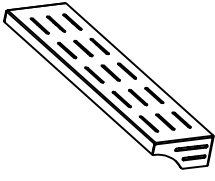






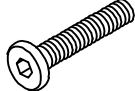


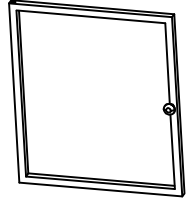
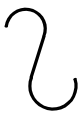


ASSEMBLY INSTRUCTION

SKU:HFHW-626

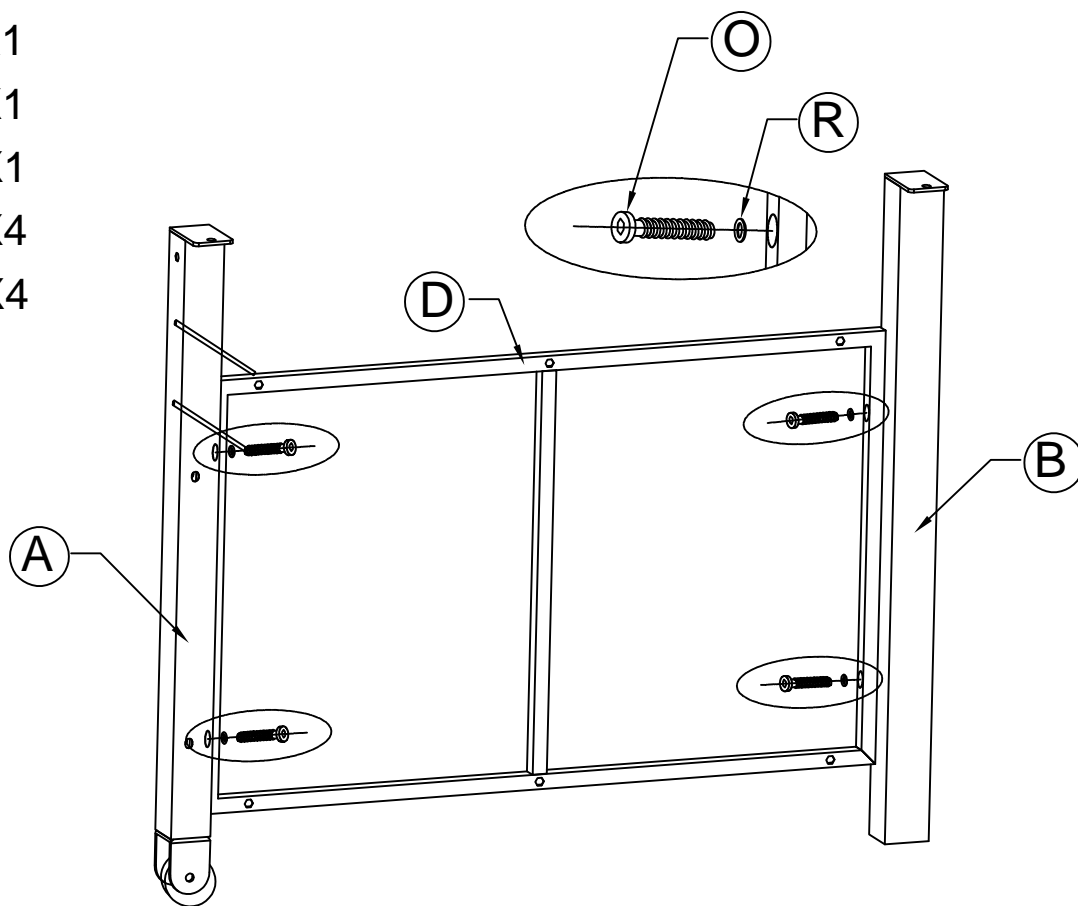


CARTON CONTENT:

<p>Ⓐ x1</p> 	<p>Ⓑ x1</p> 	<p>Ⓒ x1</p> 	
<p>Ⓓ x1</p> 	<p>Ⓔ x2</p> 	<p>Ⓕ x2</p> 	
<p>Ⓖ x1</p> 	<p>Ⓗ x1</p> 	<p>Ⓘ x1</p> 	
<p>Ⓙ x1</p> 	<p>Ⓚ x1</p> 	<p>Ⓛ x1</p> 	<p>Ⓜ x24</p>  M6*15
<p>Ⓝ x2</p>  M6*25	<p>Ⓞ x12</p>  M6*30	<p>Ⓟ x2</p>  M6*40	
<p>Ⓡ x38</p> 	<p>Ⓢ x1</p> 	<p>Ⓣ x1</p> 	<p>Ⓩ x4</p> 

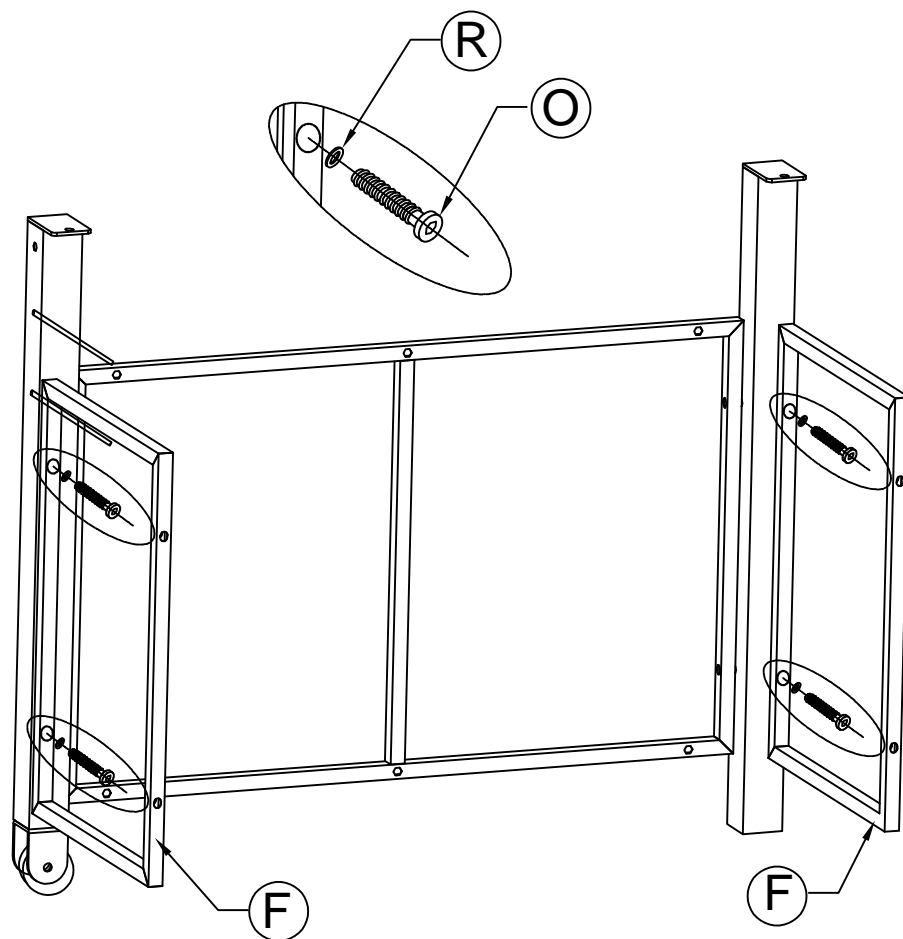
STEP 1

- Ⓐ X1
- Ⓑ X1
- Ⓓ X1
- Ⓞ X4
- Ⓡ X4



STEP 2

- Ⓕ X2
- Ⓞ X4
- Ⓡ X4

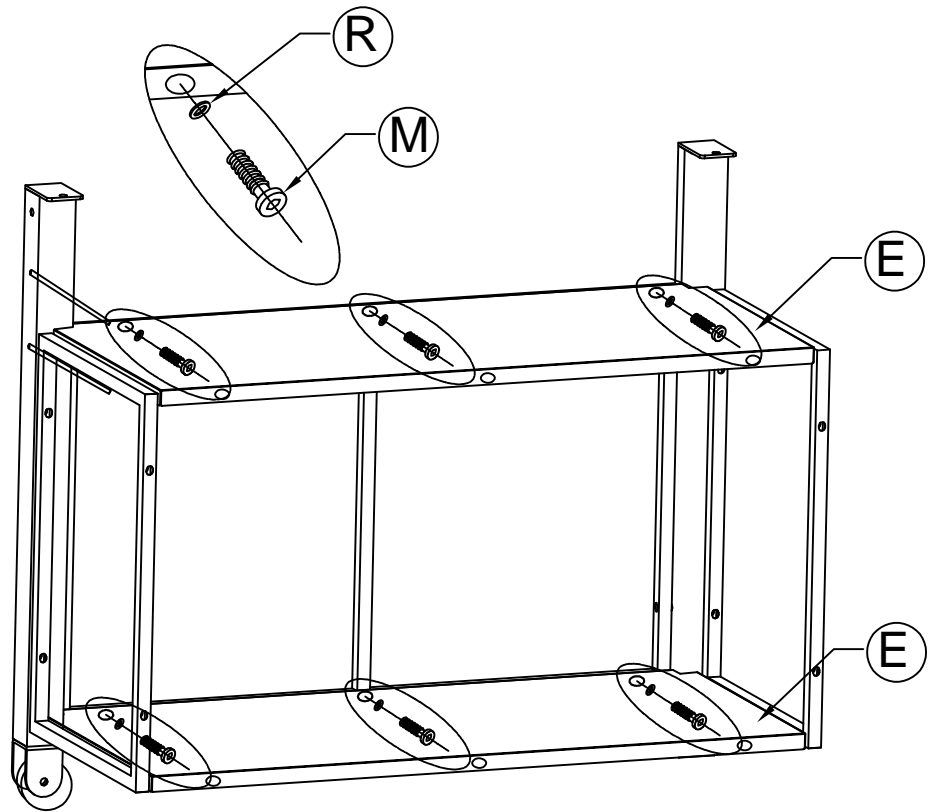


STEP 3

Ⓔ X2

Ⓜ X6

Ⓡ X6

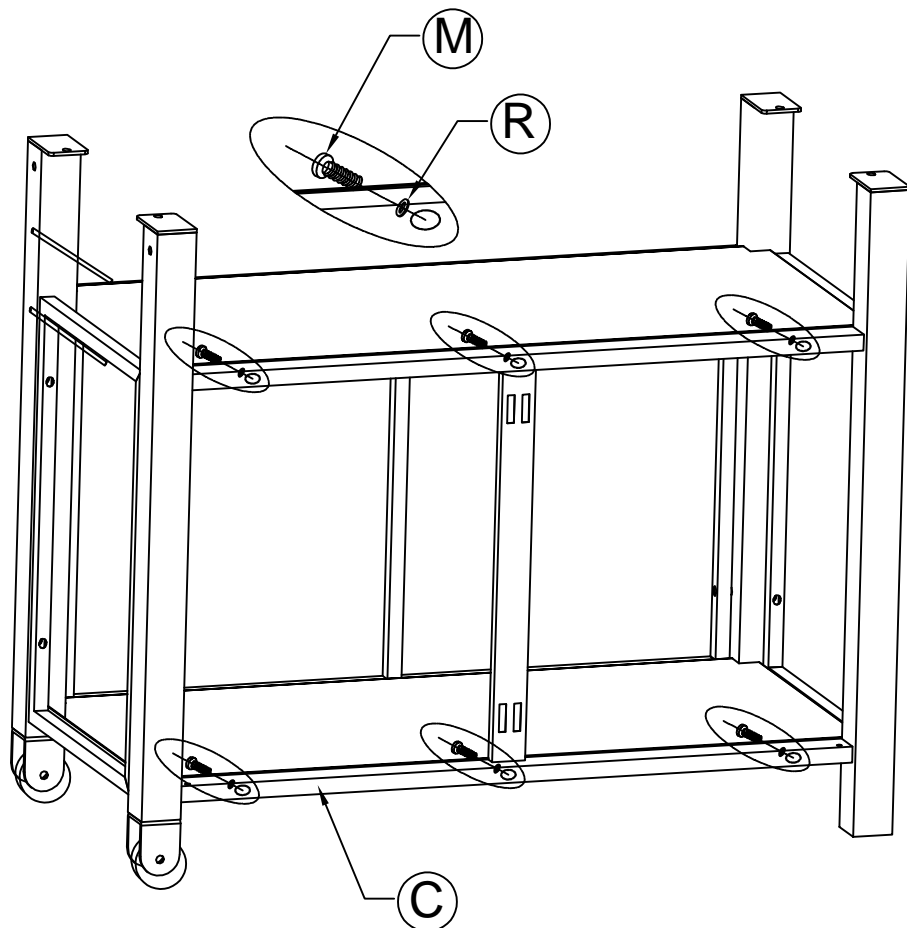


STEP 4

Ⓒ X1

Ⓜ X6

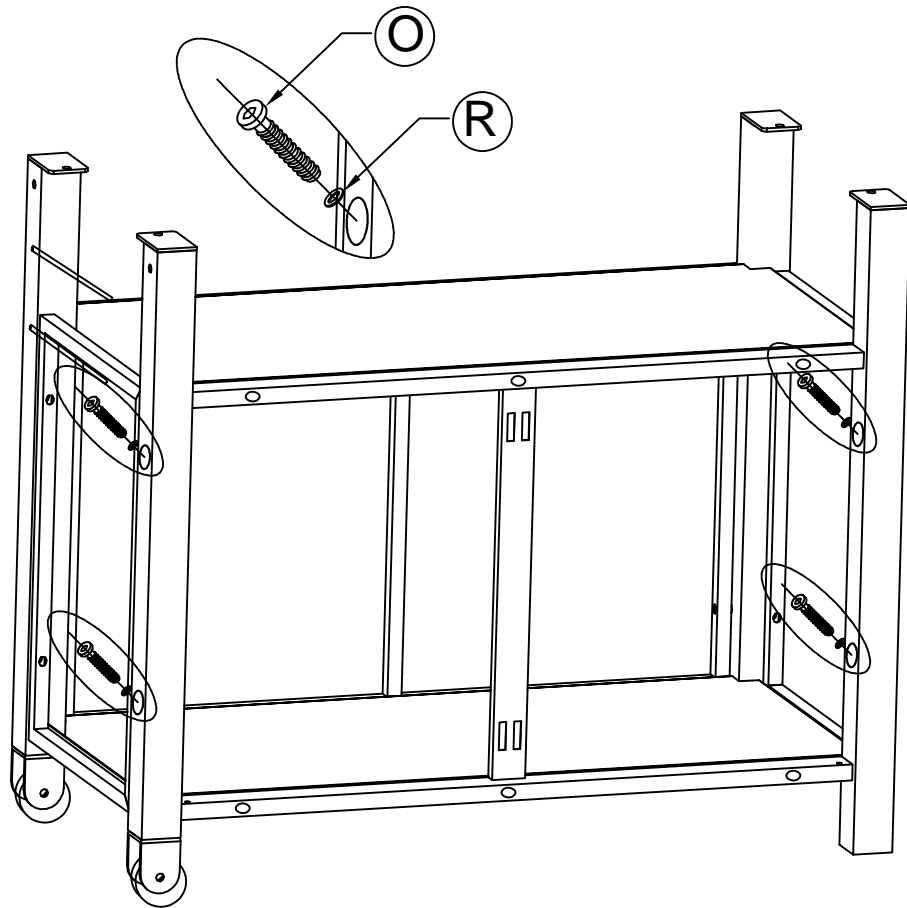
Ⓡ X6



STEP 5

⊙ X4

⊙ R X4



STEP 6

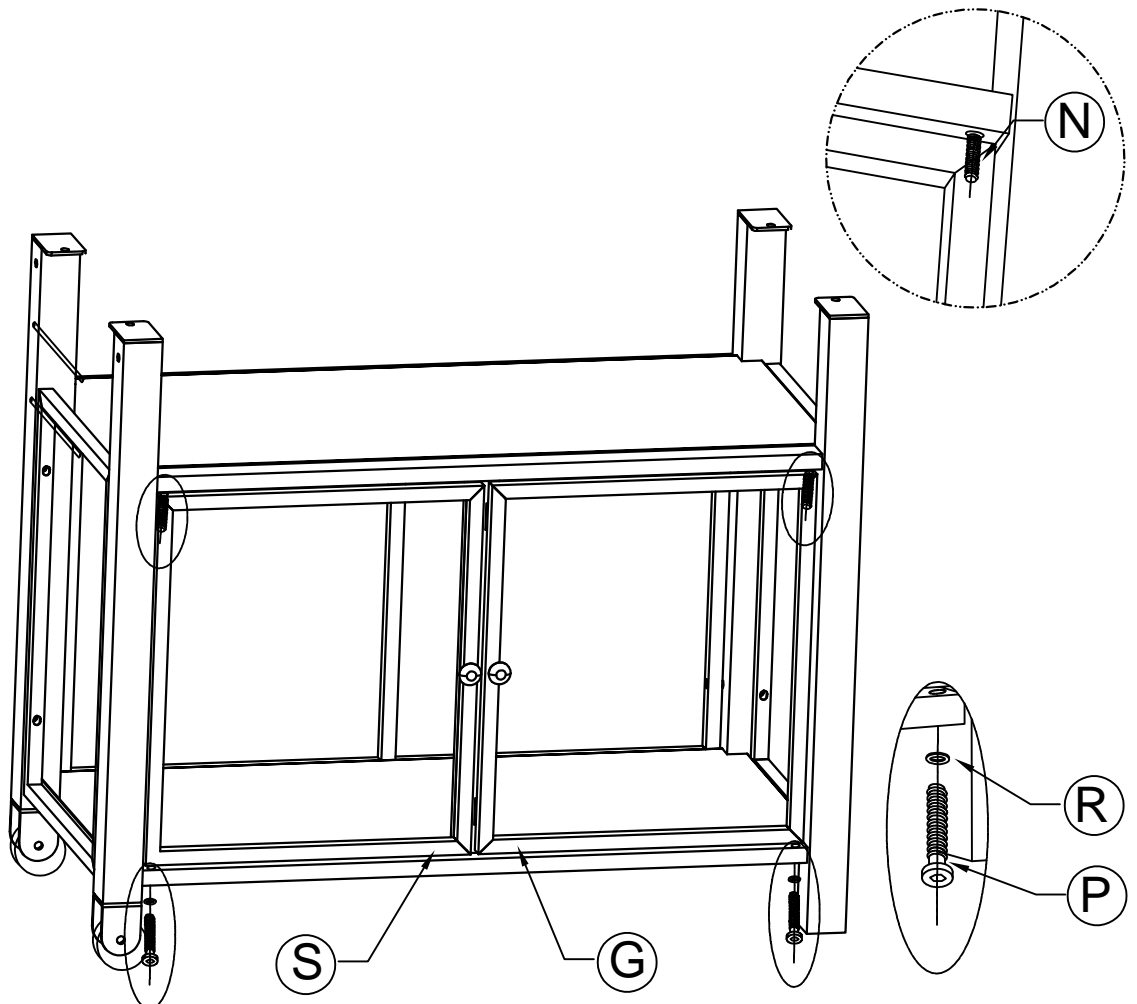
⊙ G X1

⊙ S X1

⊙ N X2

⊙ P X2

⊙ R X2

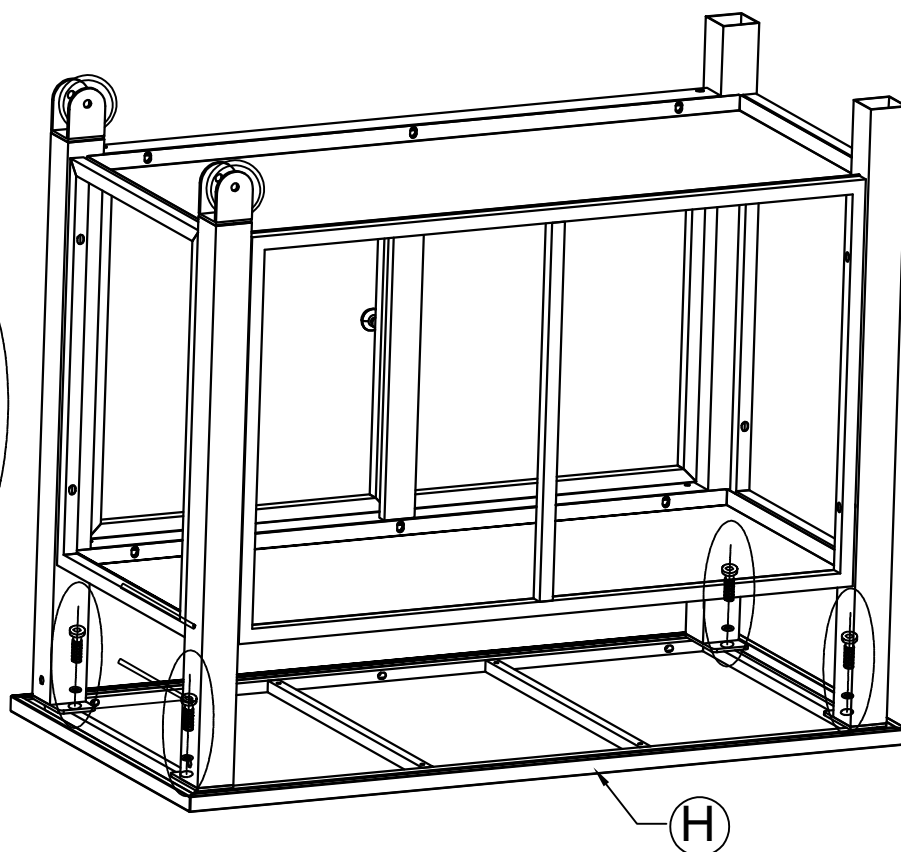
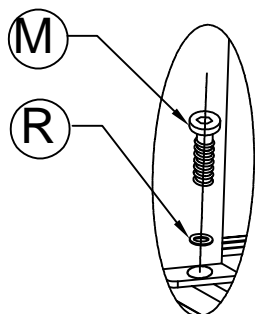


STEP 7

Ⓜ X1

Ⓜ X4

Ⓜ X4

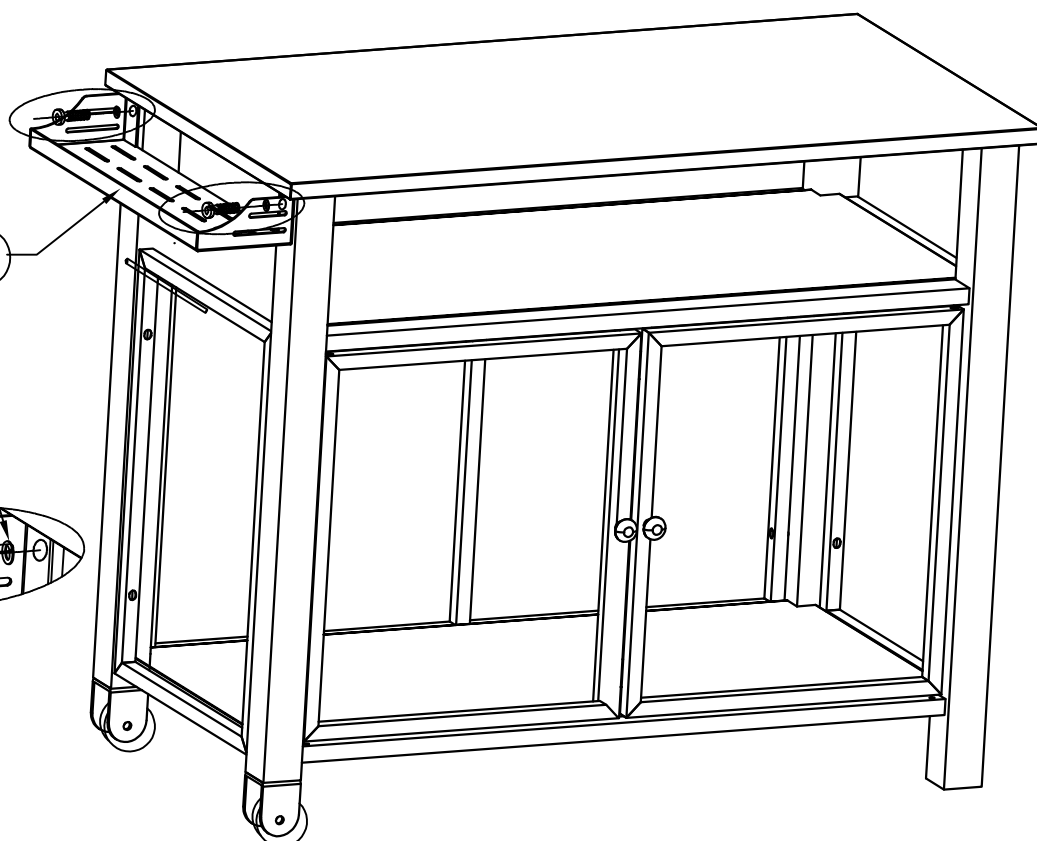
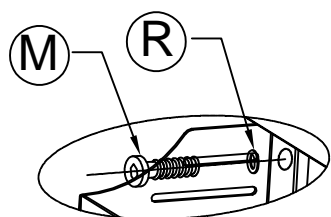
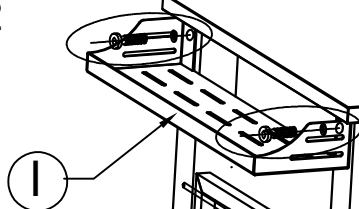


STEP 8

Ⓜ X1

Ⓜ X2

Ⓜ X2



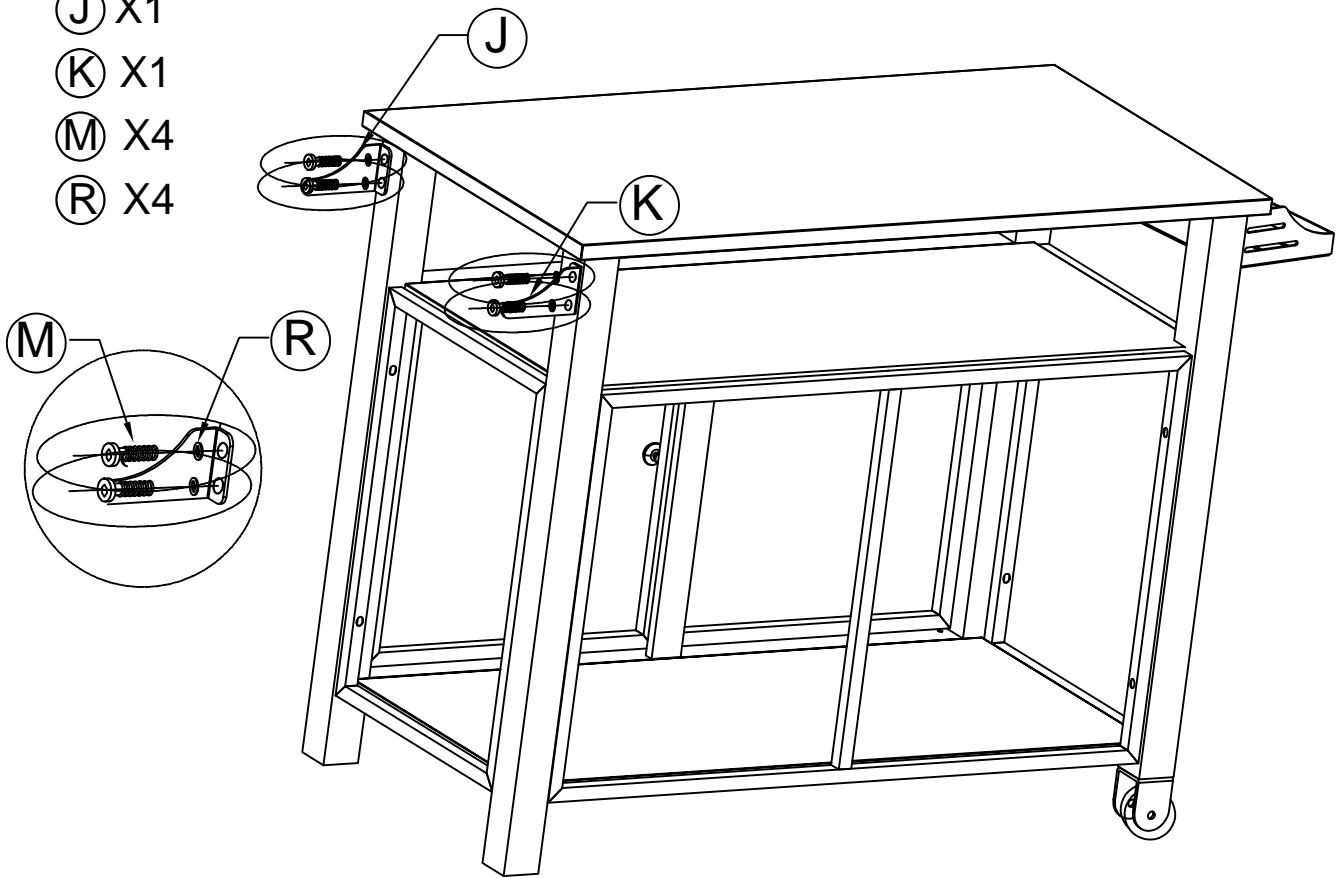
STEP 9

(J) X1

(K) X1

(M) X4

(R) X4

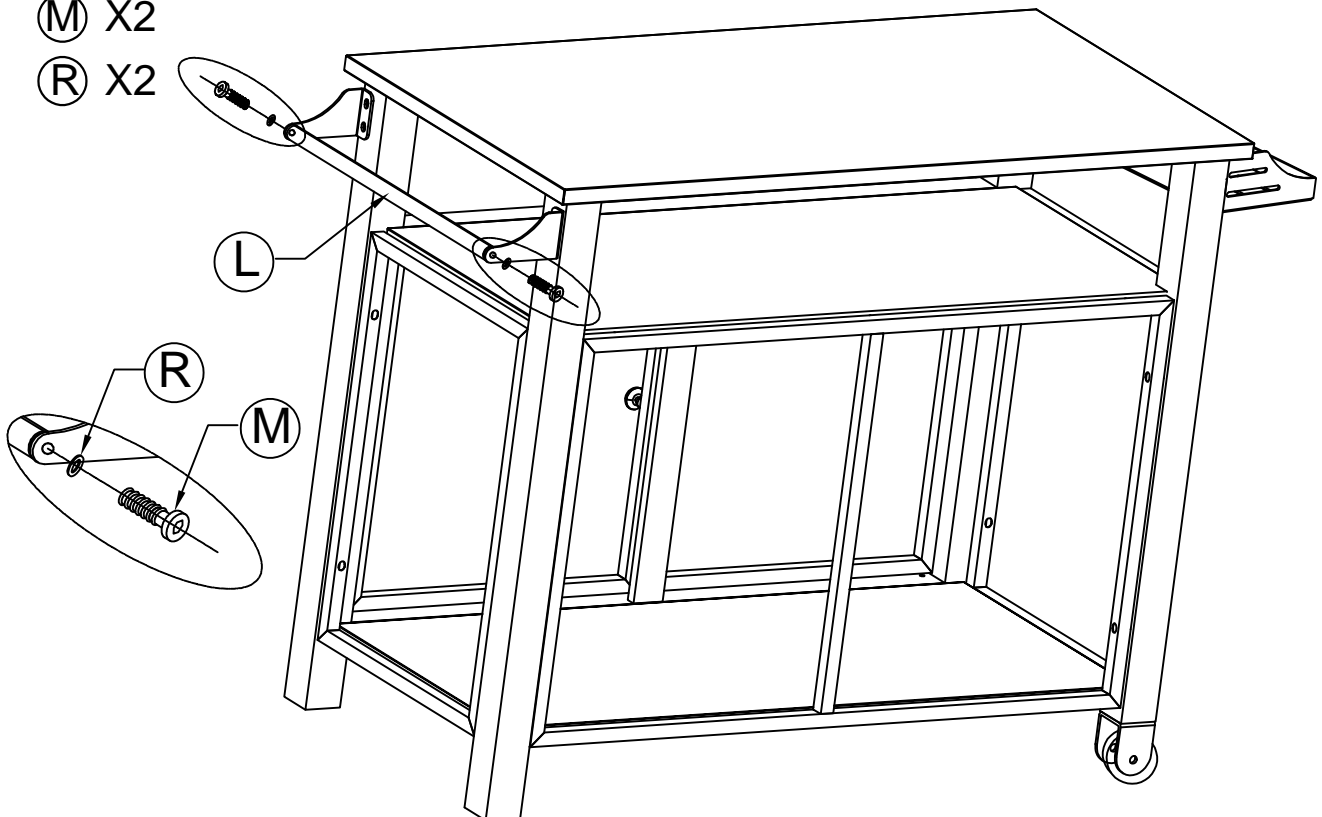


STEP 10

(L) X1

(M) X2

(R) X2



STEP 11

Ⓩ X4

