

READ BEFORE USE

Visit www.dikasun.com for our complete line of products and Use and Care Guides - as well as tips, and to register your product online!

Question?

Please contact us - our friendly associates are ready to help:

Facebook:

DikaSun International

Email:

dikasun@jinaup.com



DikaSun



DikaSun

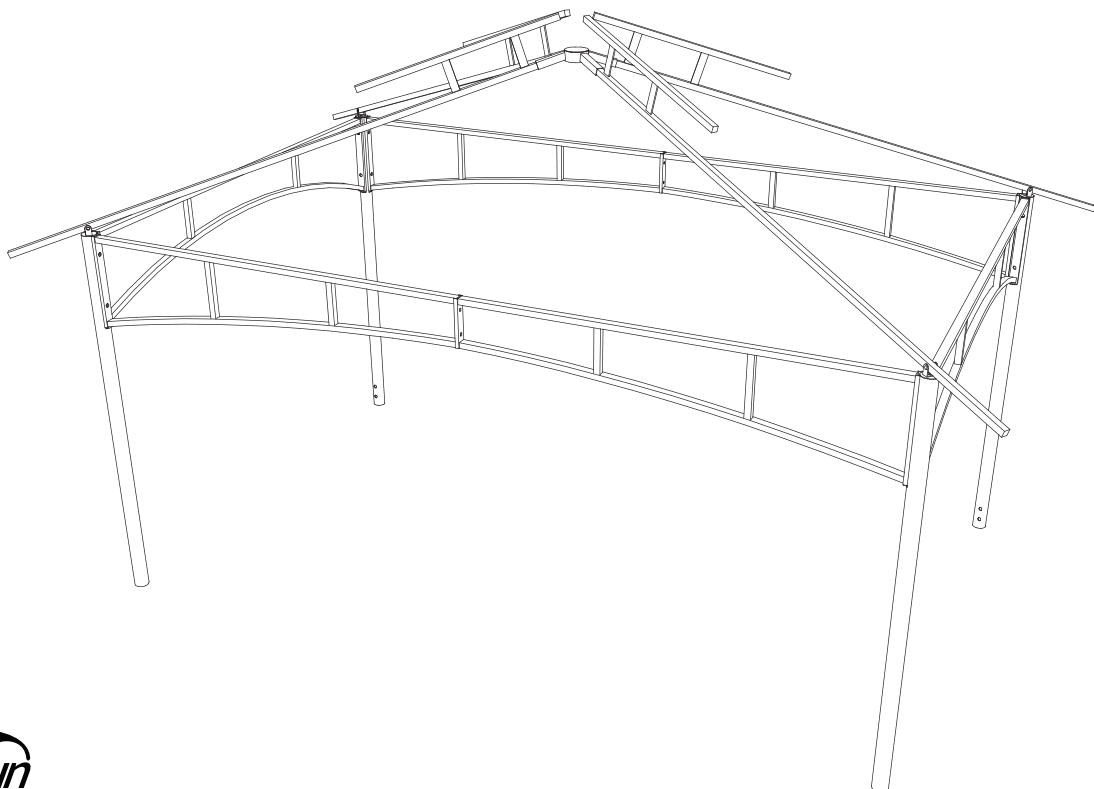
Dual Roof BBQ Grill Gazebo

DSG-Z050

IMPORTANT SAFEGUARDS

When using outdoor gazebo, basic safety precautions should always be followed to reduce the risk of damaging gazebo, and/or injury to persons, including the following:

1. Read all instructions
2. **Remove the canopy top before the snow-storm, wind-storm or thunder-storm to protect gazebo from extreme weather, or store all parts into indoor to keep it live last**
3. Don't stay under the gazebo when it's in extreme weather
4. To keep it from blowing away, tie it with bungee cords or screw it's legs to deck rails, or fix it with sandbag
5. Please periodically check all fittings are re-tightened as necessary
6. Please do not drag or pull your gazebo as this may damage it
7. To clean, wipe with a damp cloth, do not use bleach, acid solvents or abrasive cleaners for frame parts. Try with a dry clean soft cloth.
8. In the event the metal frame is scratched exposing bare metal, treat with a rust repelling paint to avoid rusting.

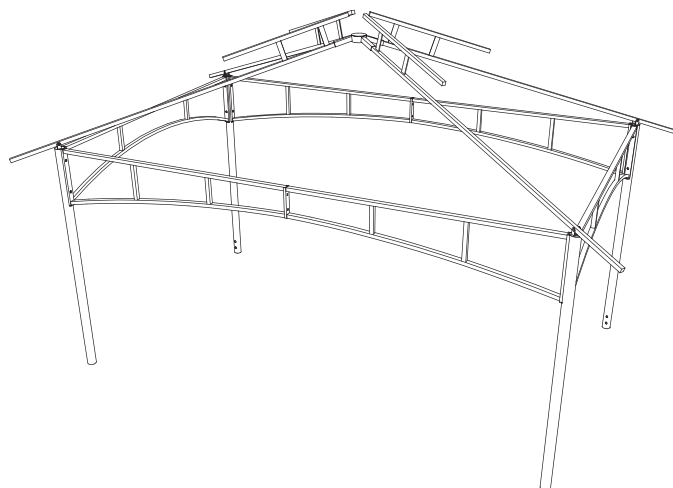




ASSEMBLY INSTRUCTION	DESCRIPTION:	
	DSG-Z050	
30Minutes	10.0m²	2 PERSON ASSEMBLY
APPROXIMATE ASSEMBLY TIME	REQUIRED ASSEMBLY SPACE	
REQUIRED ASSEMBLY TOOLS: NONE REQUIRED		

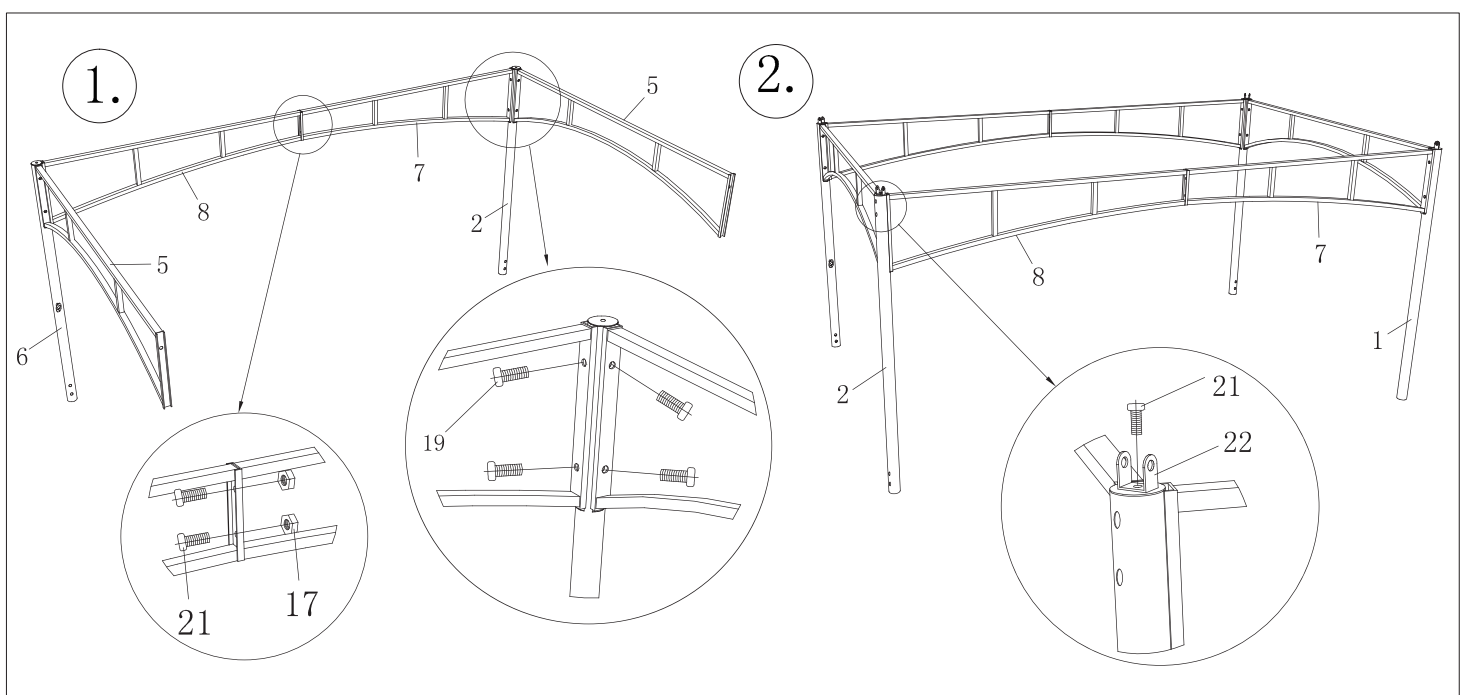
Parts List

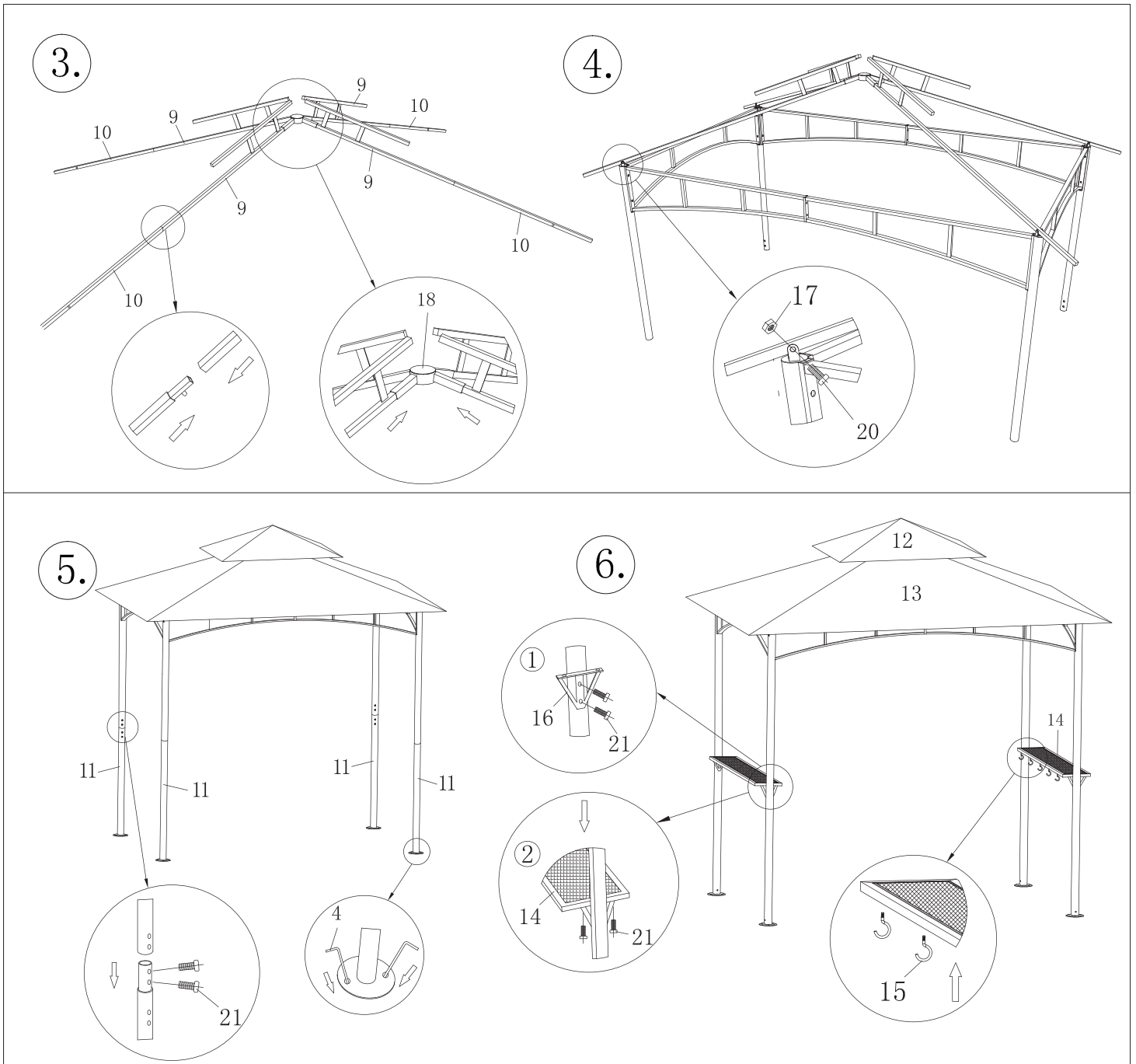
NO.	COMPONENT	QTY	NO.	COMPONENT	QTY
1#		1	12#		1
2#		2	13#		1
3#		1	14#		2
4#		8	15#		10
5#		2	16#		4
6#		1	17#		8
7#		2	18#		1
8#		2	19#	M6*25mm	16
9#		4	20#	M6*30mm	4
10#		4	21#	M6*15mm	32
11#		4	22#		4



Read these instructions before you start

1. Please check that all parts are present before you start the assembly of your gazebo, as once assembled, the gazebo is exempt from our home approval policy.
2. For ease and speed of assembly, we recommend that before you commence each step of the assembly, you identify all the parts required for that step.
3. For large items, please ensure that you have sufficient space and people to assemble your product safely.
4. We recommend that, where possible, all items are assembled near the area in which they will be placed in use, to avoid moving the product unnecessarily once assembled.





Contact us

Facebook: DikaSun International

Email: dikasun@jinaup.com

What can we do for you :

1. Replace gazebo/parts for free within 30 days of purchase
2. Offer parts for replacement
3. Solve any question of using gazebo
4. Recommend a patio gazebo for you need