

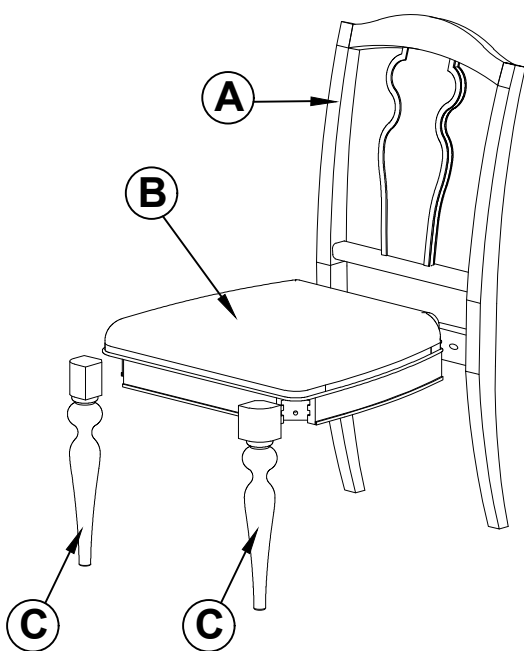
REG HT SLAT SIDE CHAIR

Assembly Instruction

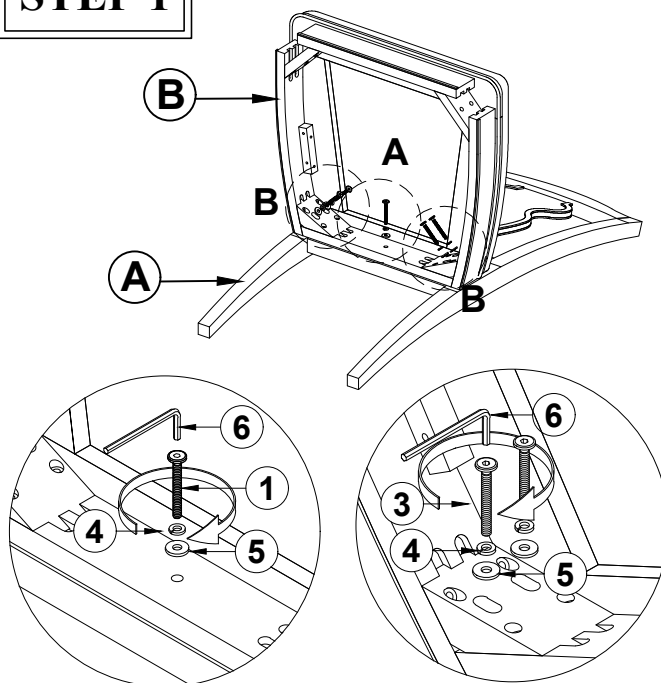
A. Components :	Qty
A. Rest :	1 Pc
B. Seat Cushion :	1 Pc
C. Legs Front :	2 Pcs

B. Hardware :	Qty
1. Bolt M6 x 45 mm :	1 Pc
2. Bolt M6 x 60 mm :	4 Pcs
3. Bolt M6 x 80 mm :	4 Pcs
4. Flat Washer :	9 Pcs
5. Lock Washer :	9 Pcs
6. Allen Key 4 mm :	1 Pc

PART DETAIL



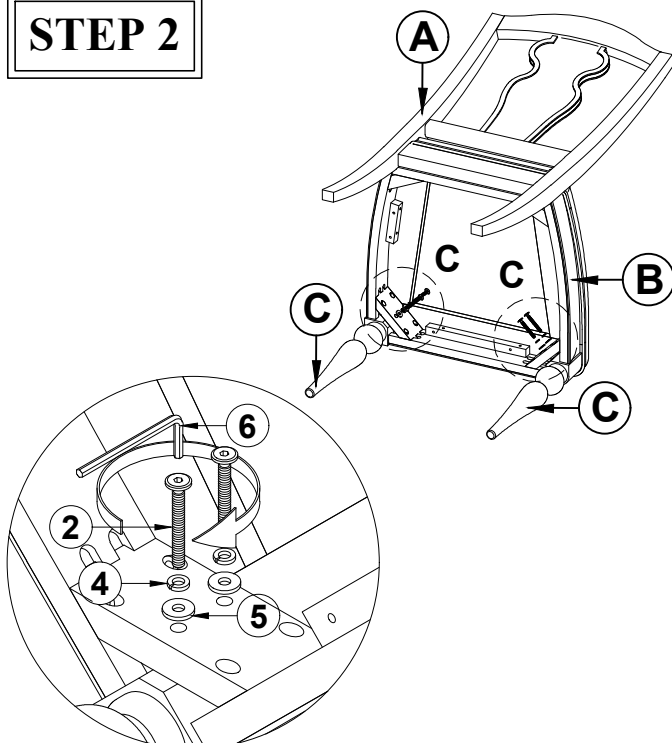
STEP 1



Detail A

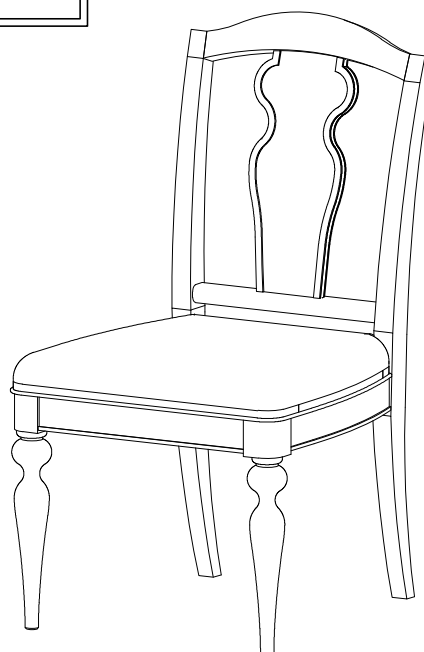
Detail B

STEP 2



Detail C

STEP 3



Assembly Completely