

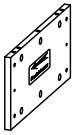
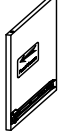






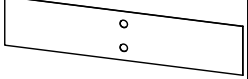

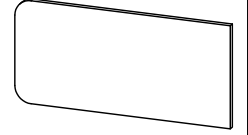
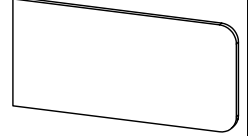
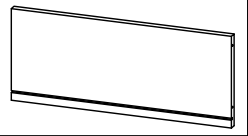
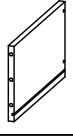
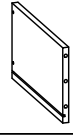

Thank you for purchasing this quality product. Be sure to check all packing materials carefully for small parts, which may have come loose inside the carton during shipment. Identify and count all items and compare with the PARTS LIST and/or HARDWARE LIST shown below.



Please read the instructions thoroughly before assembly.

1. We recommend that you assemble this product with the assistance of another person; this will make the assembly easier, and will help eliminate damage to the product or injury to persons during assembly.
2. Please do not tighten screws or bolts until the assembly is completed.
3. To level the chairs or table, before tightening all the screws, the chairs or table must be placed on a flat surface and then tighten the screws.
4. Please put all parts on a non-abrasive floor before assembly and follow the assembly steps to assemble your newly purchased product correctly and efficiently.

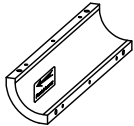
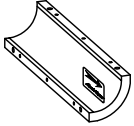
PARTS LIST			
NO.	DESCRIPTION	SKETCH	QTY
1	TOP PANEL		1 PC
2	BOTTOM PANEL		1 PC
3	SIDE PANEL - L/R		2 PCS
4	DRAWER PLATE - L		1 PC
5	DRAWER PLATE - R		1 PC
6	CENTER PANEL - L		1 PC
7	CENTER PANEL - R		1 PC
8	SIDE SUPPORT BONE		4 PCS

PARTS LIST			
NO.	DESCRIPTION	SKETCH	QTY
9	BACK PANEL		1 PC
10	SHELF PANEL		1 PC
11	DRAWER FRONT - L		1 PC
12	DRAWER FRONT - R		1 PC
13	DRAWER BACK		2 PCS
14	DRAWER SIDE - L		2 PCS
15	DRAWER SIDE - R		2 PCS
16	DRAWER BOTTOM		2 PCS


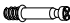


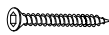










ASSEMBLY INSTRUCTIONS

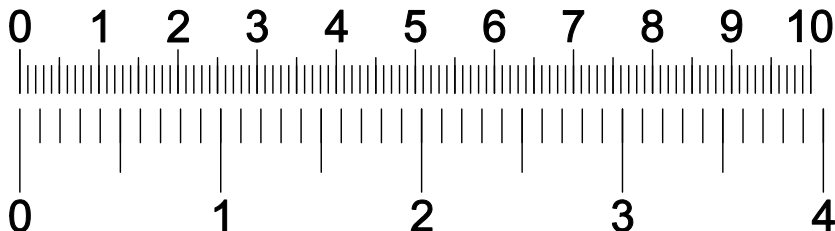
ITEM NO : T3562-42
COLLECTION : ROWAN 71" LOW PROFILE TV CONSOLE

PARTS LIST

NO.	DESCRIPTION	SKETCH	QTY
17	LEG CORNER - L		2 PCS
18	LEG CORNER - R		2 PCS

HARDWARE LIST

NO.	DESCRIPTION	SKETCH	QTY
A1	MINIFIX CAM Ø9/16" x 1/2"		44 PCS
A2	MINIFIX BOLT M6 x 1-1/4"		44 PCS
A3	MINI FIX CAP Ø11/16" x 3/16"		44 PCS
B	WOOD DOWEL M8 x 1-3/16"		40 PCS
C	CSK C/W SCREW M6 x 2"		8 PCS
D	ALLEN KEY M4 x 2-3/4"		1 PC
E	C.B SCREW M3.5 x 5/8"		48 PCS
F	C.B SCREW M4 x 1"		4 PCS
G	SHELF SUPPORT 9/16" x 3/16"		4 PCS
H	SPRING DOOR SUPPORT		4 PCS
I	NAIL 5/8"		22 PCS
J	PVC HANDLE 911-128		2 PCS
K	C.B SCREW M4 x 1-1/2"		8 PCS
L	METAL LEG - 8-1/13" x Ø2		4 PCS
M	CENTER LEG - 7-7/8" x Ø1		2 PCS

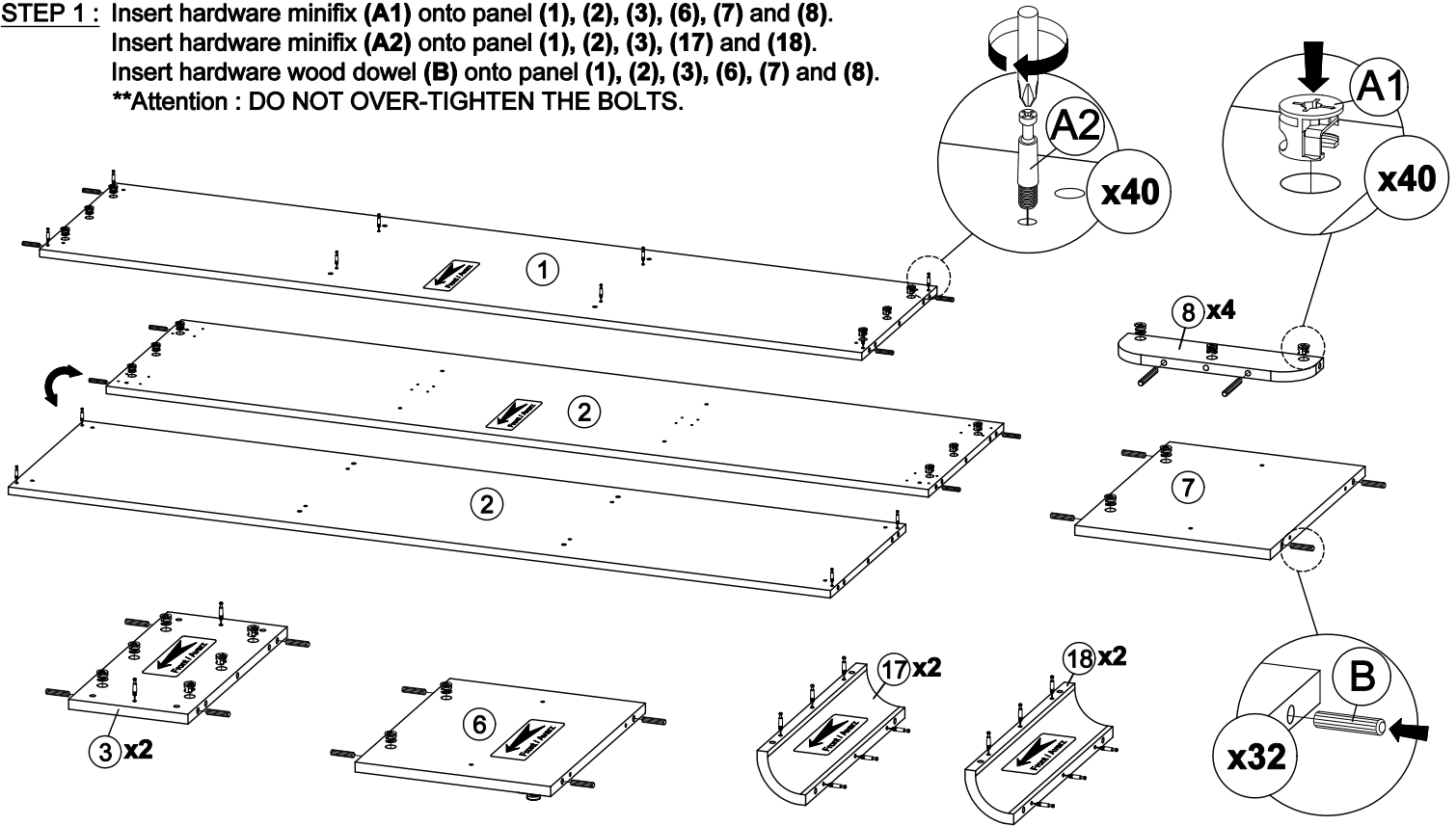


**HARDWARE DIMENSIONS
VERIFICATION TOOL**

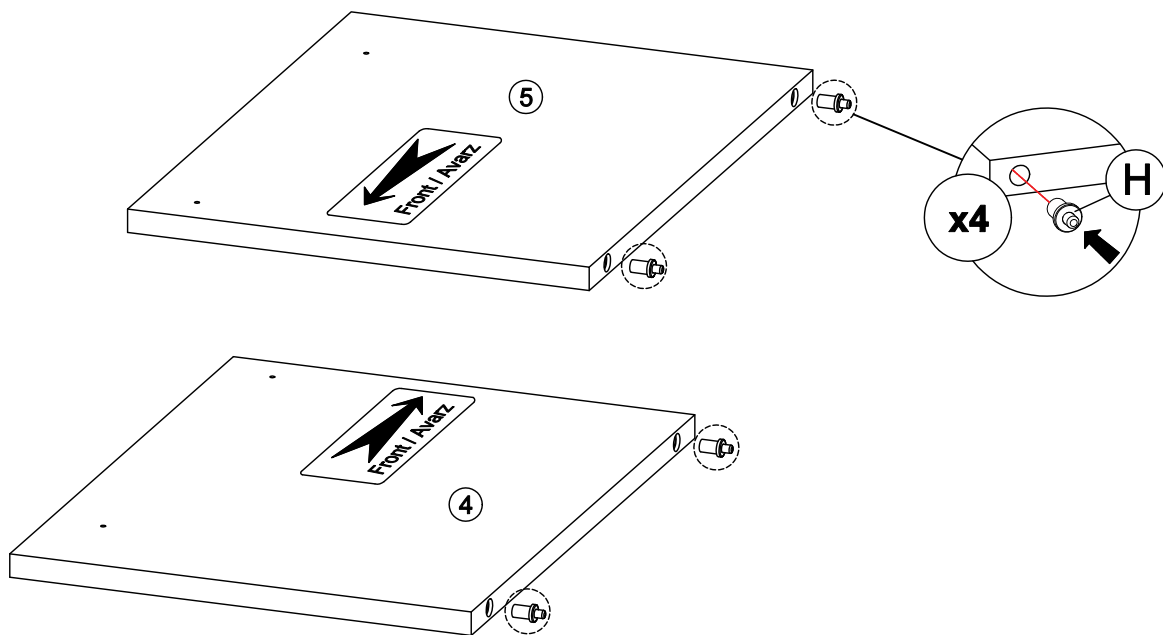
ASSEMBLY INSTRUCTIONS

ITEM NO : T3562-42
COLLECTION : ROWAN 71" LOW PROFILE TV CONSOLE

STEP 1 : Insert hardware minifix (A1) onto panel (1), (2), (3), (6), (7) and (8).
Insert hardware minifix (A2) onto panel (1), (2), (3), (17) and (18).
Insert hardware wood dowel (B) onto panel (1), (2), (3), (6), (7) and (8).
****Attention : DO NOT OVER-TIGHTEN THE BOLTS.**



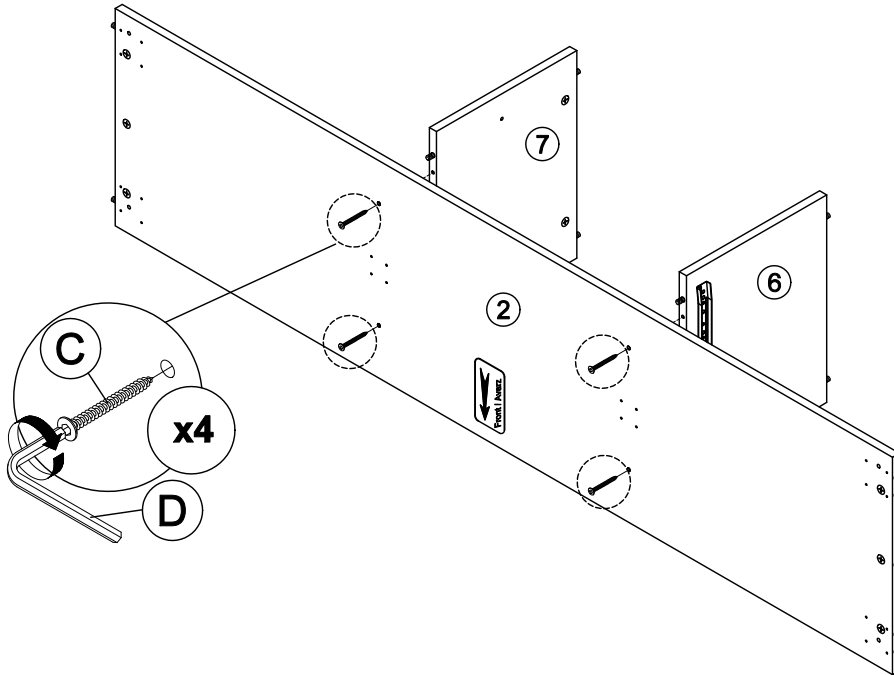
STEP 2 : Fix hardware (H) into panel (4) and (5).



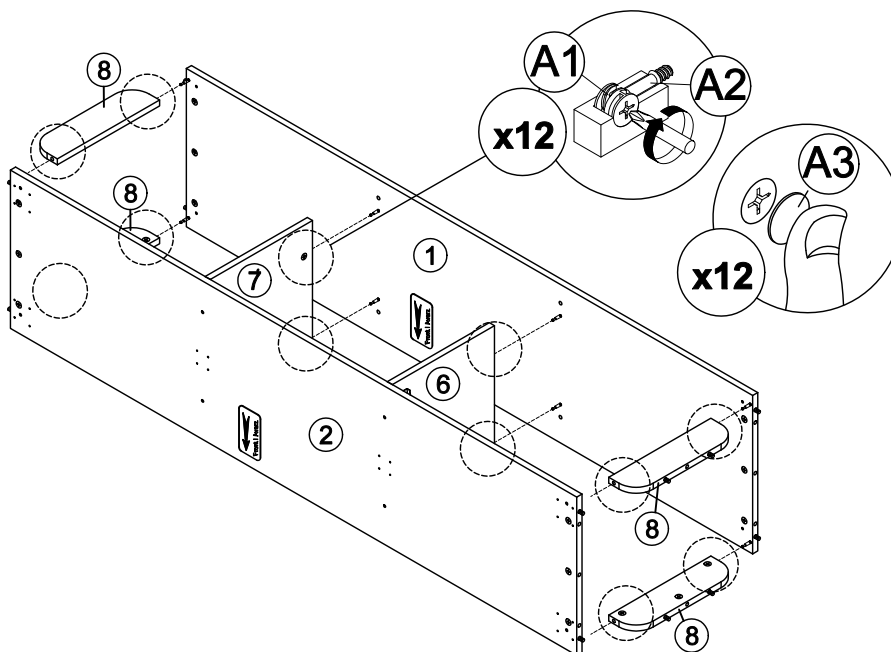
ASSEMBLY INSTRUCTIONS

ITEM NO : T3562-42
COLLECTION : ROWAN 71" LOW PROFILE TV CONSOLE

STEP 3 : Connect panel (2) to panel (6) and (7) by using hardware (C) and (D).
**Attention : DO NOT OVER-TIGHTEN THE BOLTS.



STEP 4 : Attach panel (8) to panel (2) then panel (1) to panel (6), (7) and (8).
Insert all hardware minifix (A2) into minifix (A1).
Rotate all minifix (A1) until tight. Apply minifix (A3) onto all minifix (A1).
**Attention : DO NOT OVER-TIGHTEN THE BOLTS.



ASSEMBLY INSTRUCTIONS

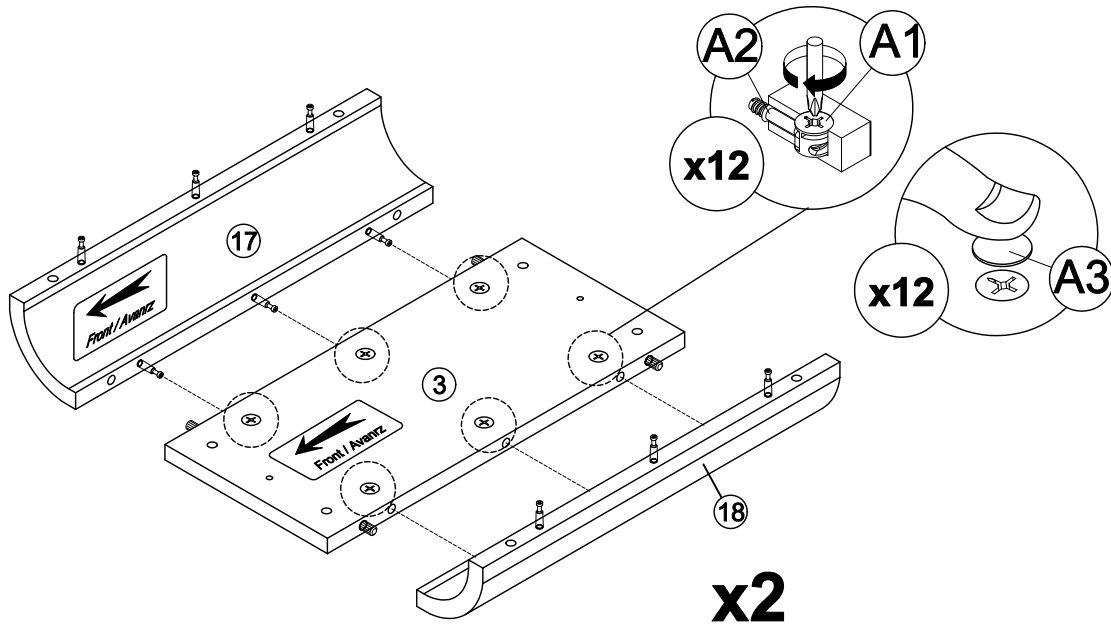
ITEM NO : T3562-42
COLLECTION : ROWAN 71" LOW PROFILE TV CONSOLE

STEP 5 : Attach panel (17) and (18) to panel (3).

Insert all hardware minifix (A2) into minifix (A1).

Rotate all minifix (A1) until tight. Apply minifix (A3) onto all minifix (A1).

****Attention :** DO NOT OVER-TIGHTEN THE BOLTS.

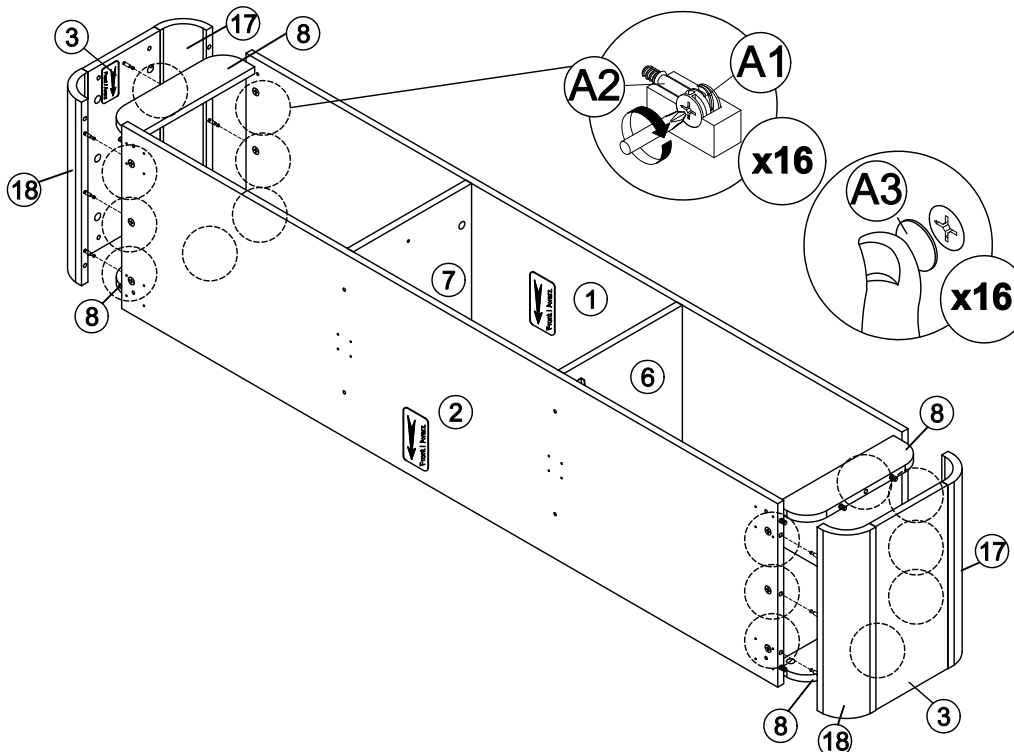


STEP 6 : Attach panel (3), (17) and (18) to panel (1), (2) and (8).

Insert all hardware minifix (A2) into minifix (A1).

Rotate all minifix (A1) until tight. Apply minifix (A3) onto all minifix (A1).

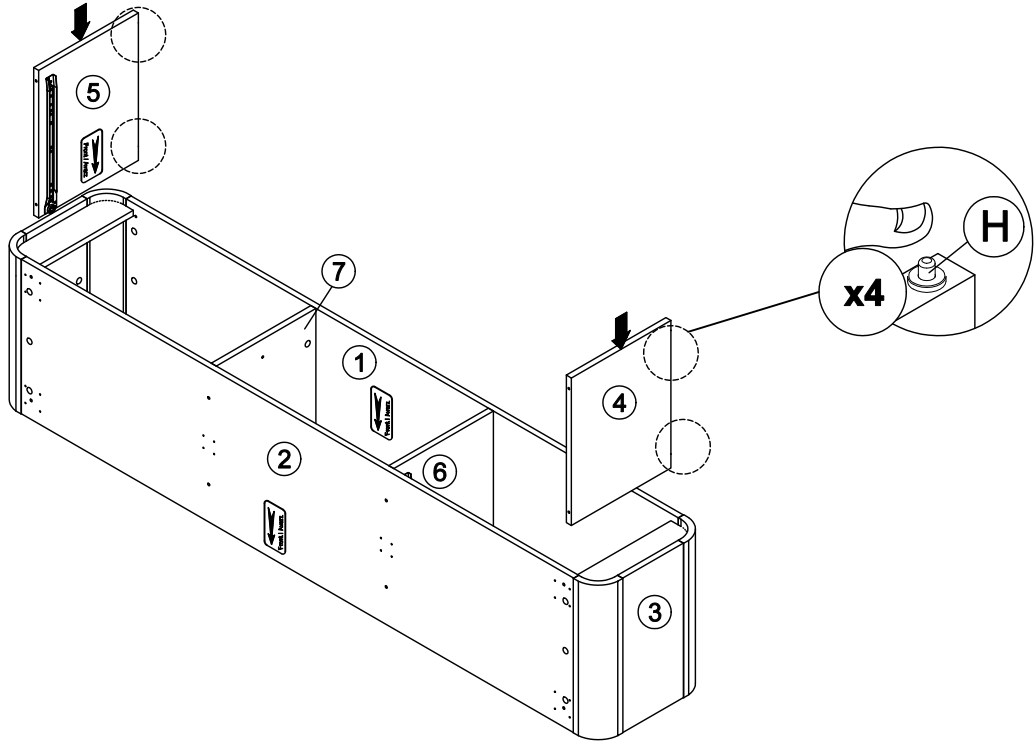
****Attention :** DO NOT OVER-TIGHTEN THE BOLTS.



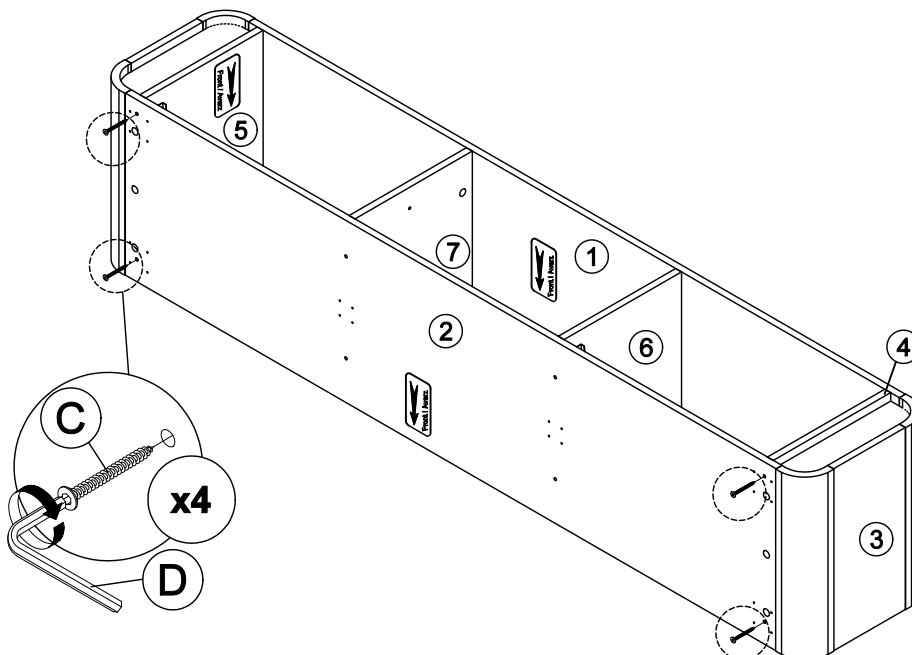
ASSEMBLY INSTRUCTIONS

ITEM NO : T3562-42
COLLECTION : ROWAN 71" LOW PROFILE TV CONSOLE

STEP 7 : Press hardware (H) then insert panel (4) and (5) into between panel (1) and (2).



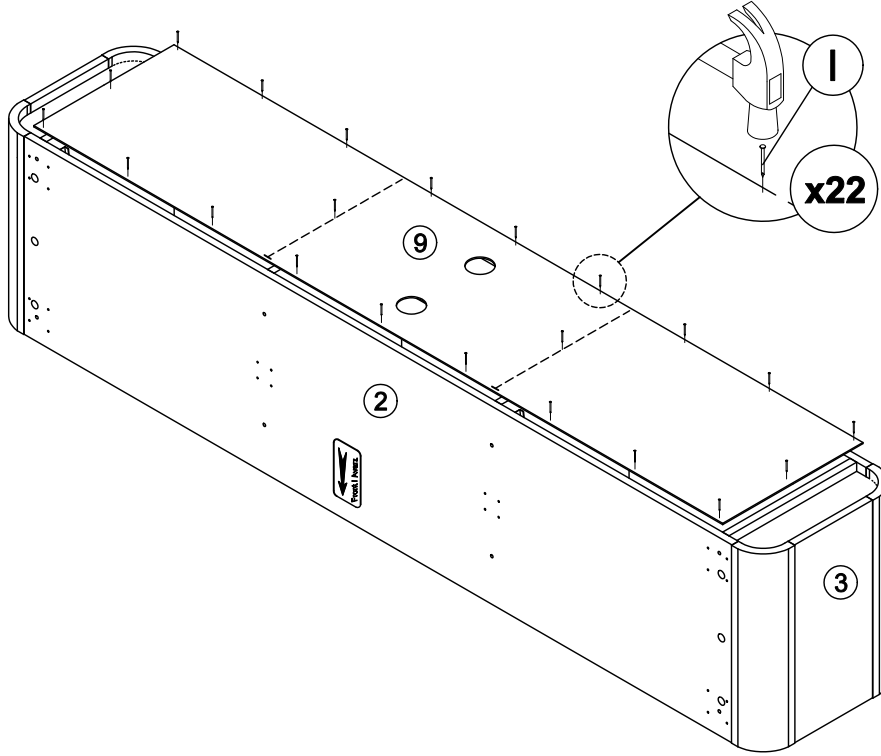
STEP 8 : Assemble panel (4) and (5) to panel (2) by using hardware (C) and (D).
**Attention : DO NOT OVER-TIGHTEN THE BOLTS.



ASSEMBLY INSTRUCTIONS

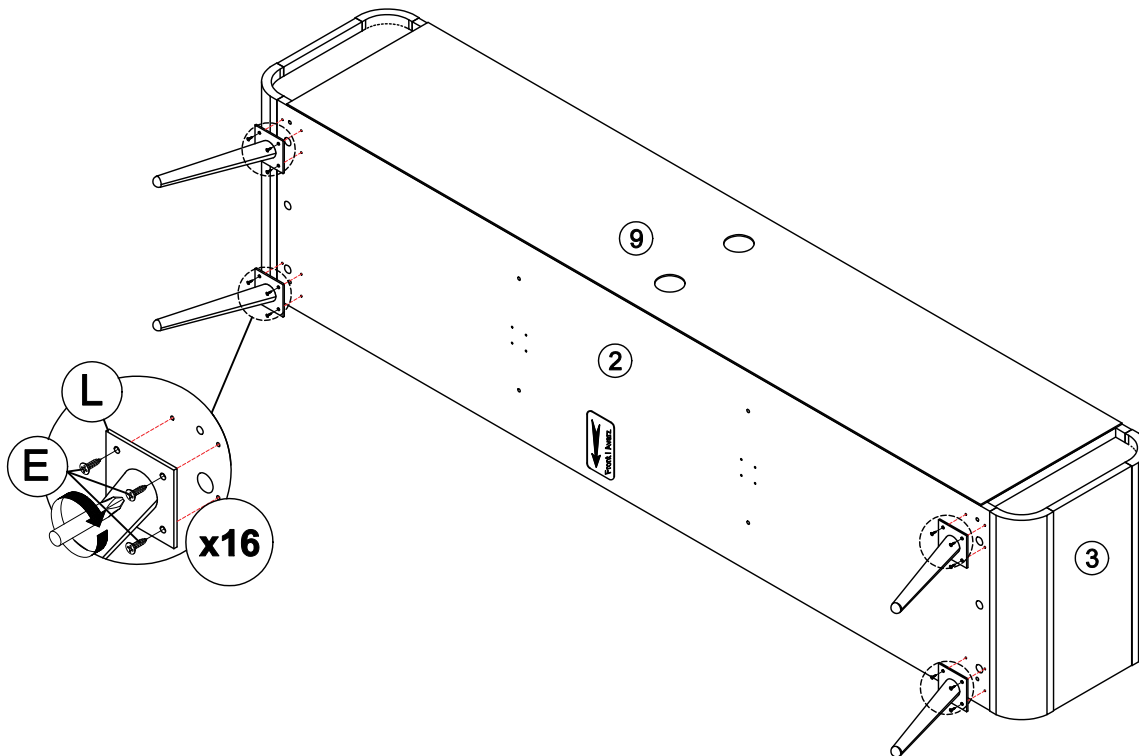
ITEM NO : T3562-42
COLLECTION : ROWAN 71" LOW PROFILE TV CONSOLE

STEP 9 : Assemble panel (9) to entire body with hardware (I).



STEP 10 : Fix hardware (L) onto panel (2) by using hardware screw (E).

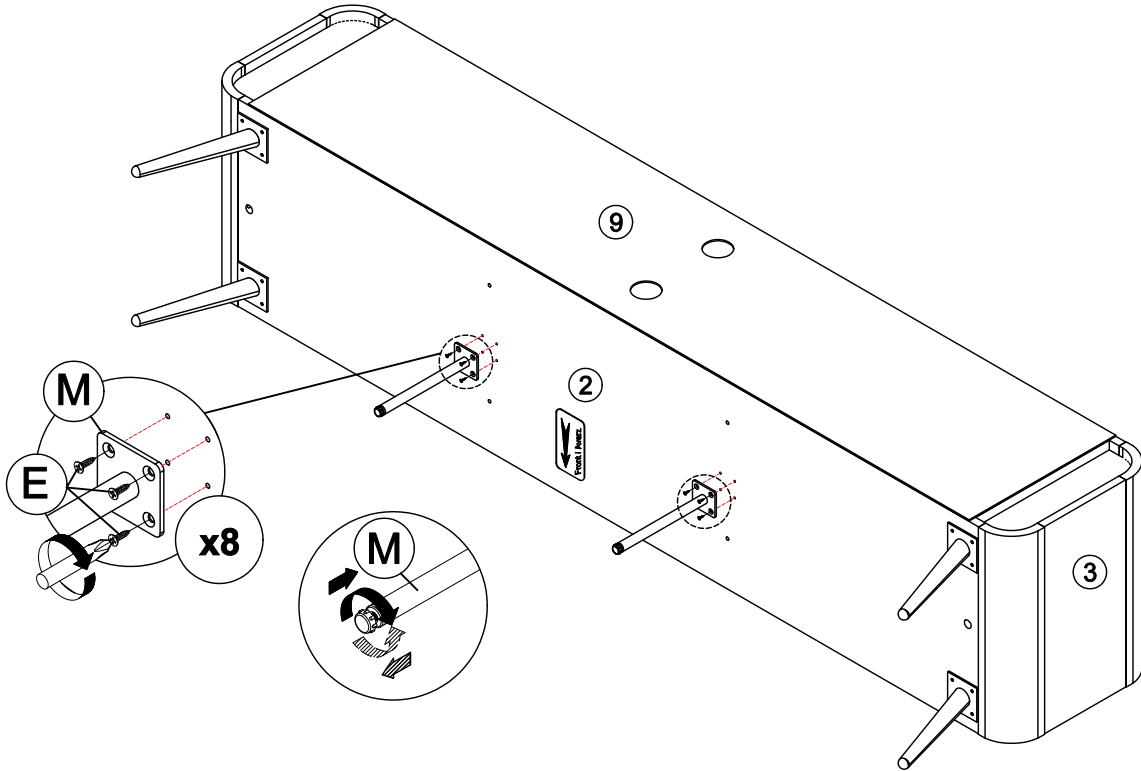
****Attention :** DO NOT OVER-TIGHTEN THE BOLTS.



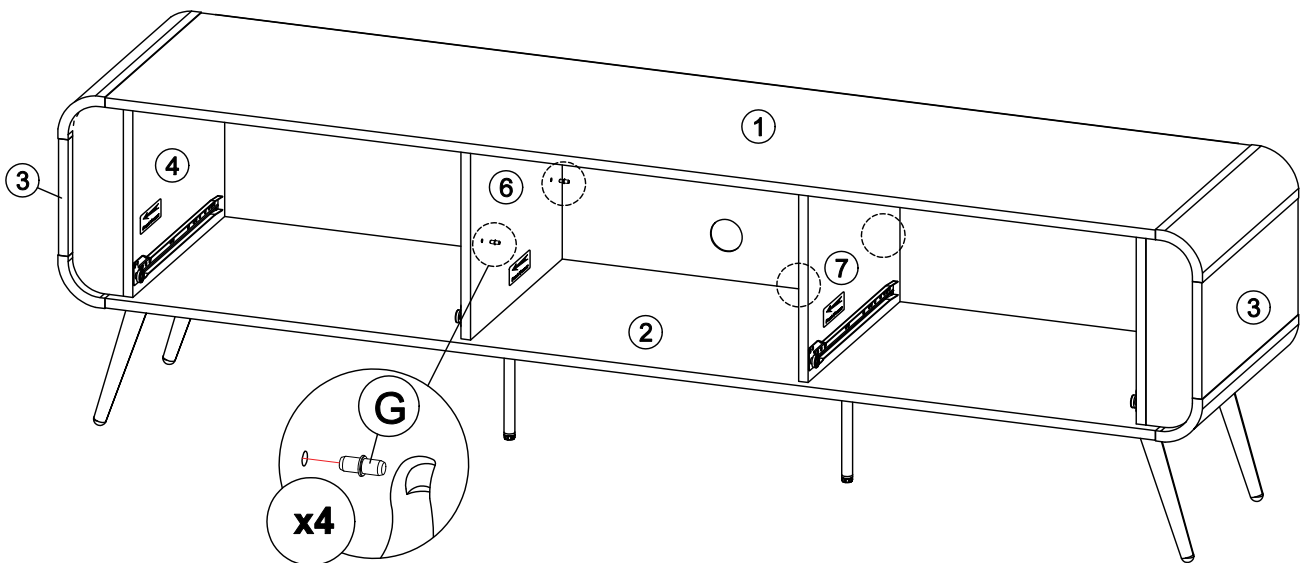
ASSEMBLY INSTRUCTIONS

ITEM NO : T3562-42
 COLLECTION : ROWAN 71" LOW PROFILE TV CONSOLE

STEP 11 : Fix hardware (M) onto panel (2) by using hardware screw (E).
 **Attention : DO NOT OVER-TIGHTEN THE BOLTS.



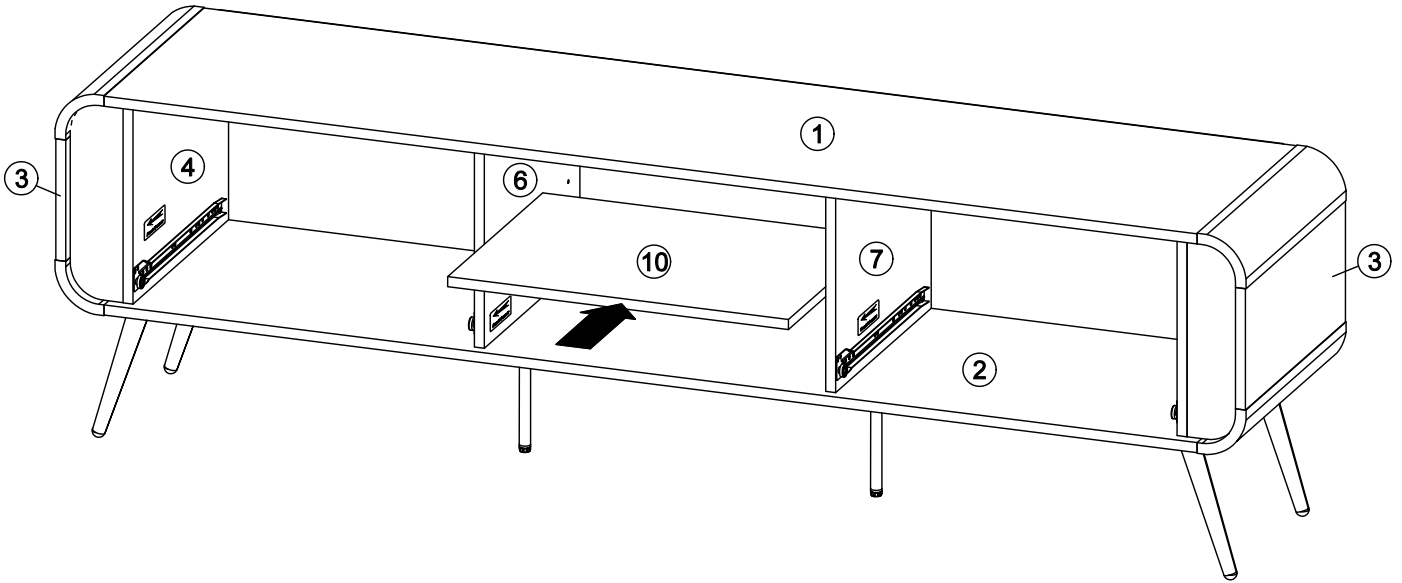
STEP 12 : Insert hardware (G) into mounting positions on panel (6) and (7) by hand.



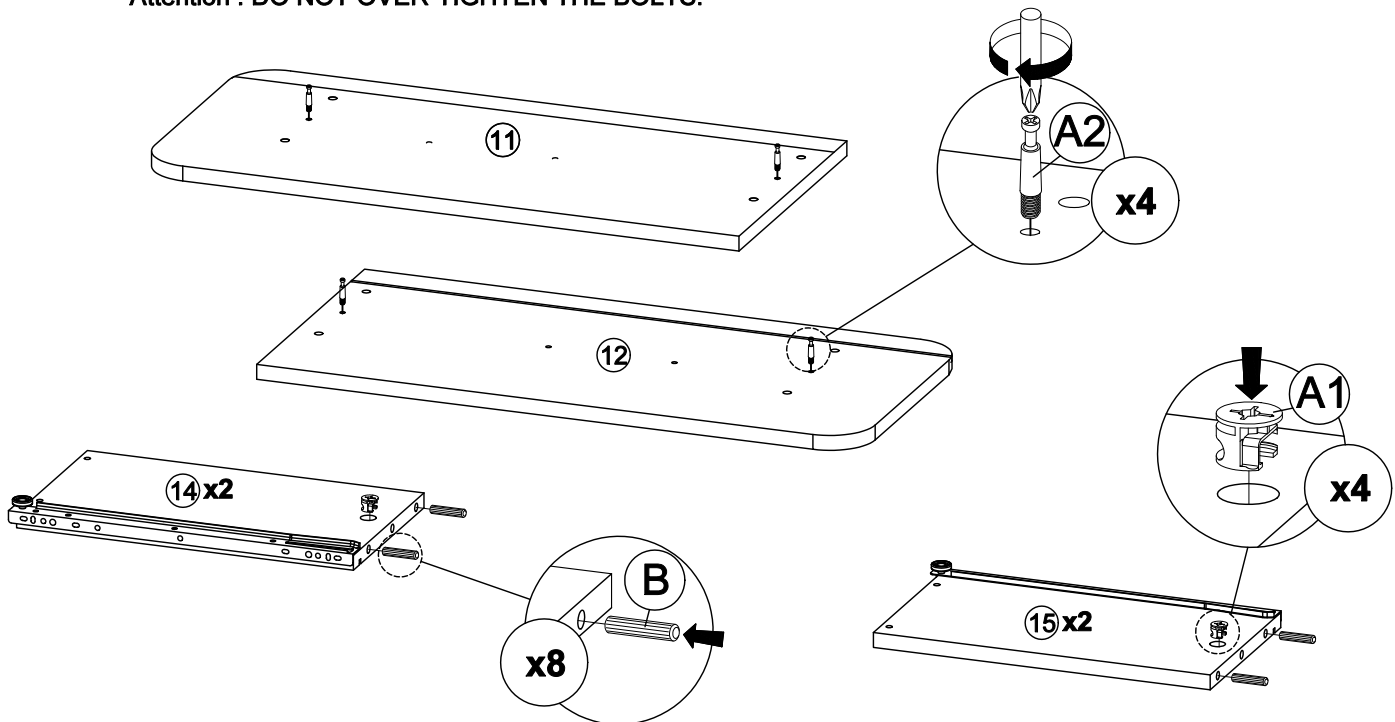
ASSEMBLY INSTRUCTIONS

ITEM NO : T3562-42
COLLECTION : ROWAN 71" LOW PROFILE TV CONSOLE

STEP 13 : Assemble the panel (10) into between panel (6) and (7).



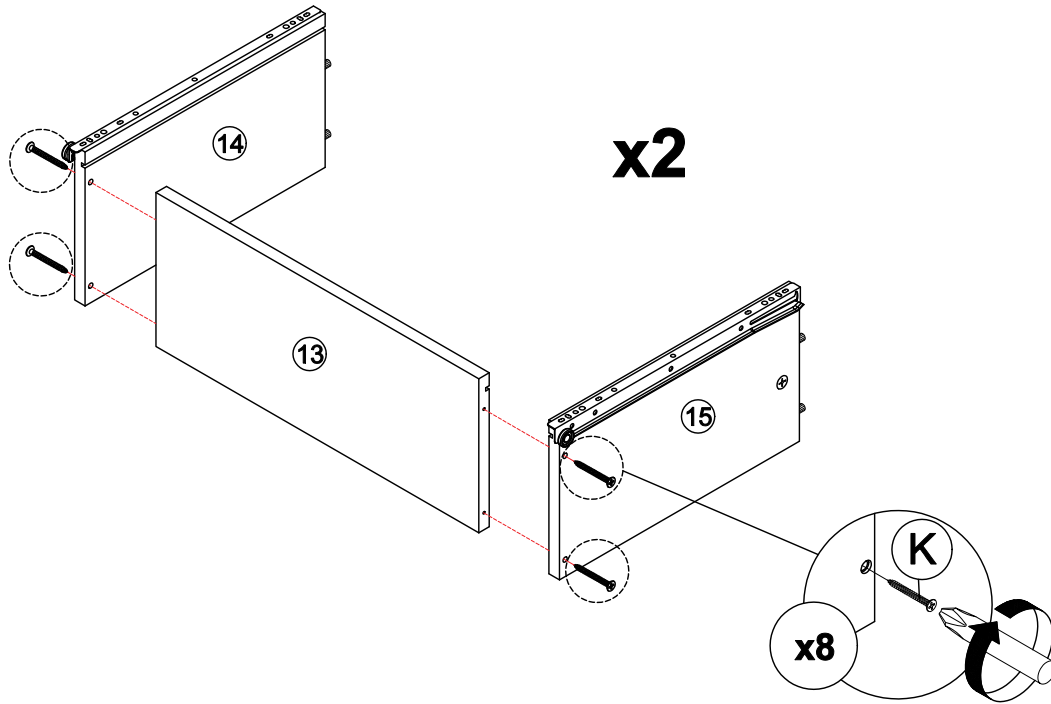
STEP 14 : Insert hardware minifix (A1) onto panel (14) and (15).
Insert hardware minifix (A2) onto panel (11) and (12).
Insert hardware wood dowel (B) onto panel (14) and (15).
****Attention : DO NOT OVER-TIGHTEN THE BOLTS.**



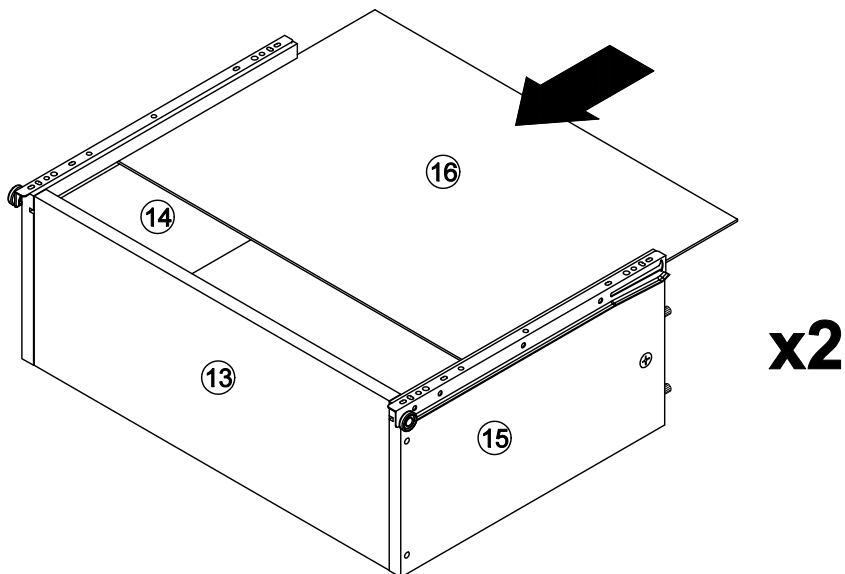
ASSEMBLY INSTRUCTIONS

ITEM NO : T3562-42
COLLECTION : ROWAN 71" LOW PROFILE TV CONSOLE

STEP 15 : Assembly panel (14) and (15) to panel (13) by using hardware screws (K).
**Attention : DO NOT OVER-TIGHTEN THE SCREWS.



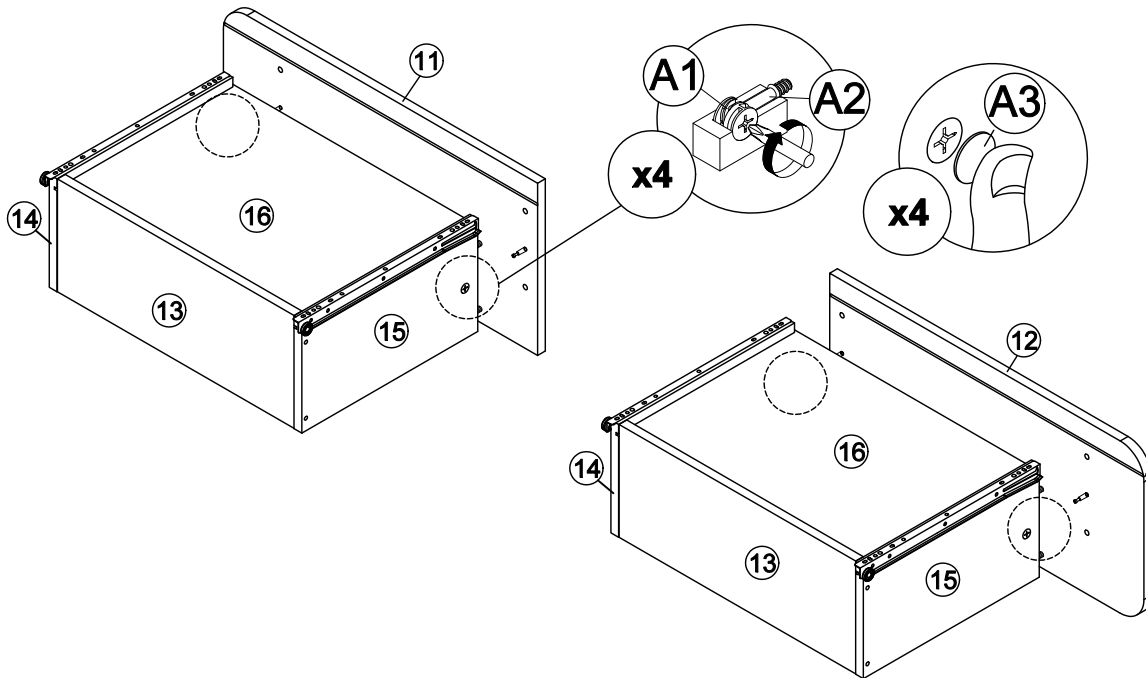
STEP 16 : Insert panel (16) along the slot.



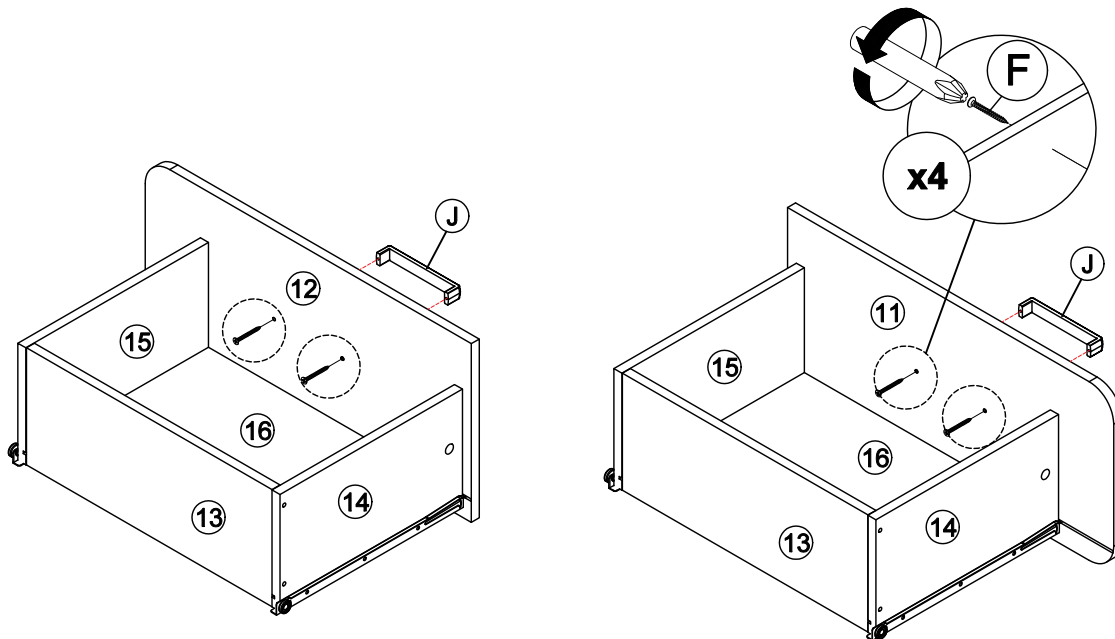
ASSEMBLY INSTRUCTIONS

ITEM NO : T3562-42
COLLECTION : ROWAN 71" LOW PROFILE TV CONSOLE

STEP 17 : Attach panel (11) and (12) to panel (14) and (15).
Insert all hardware minifix (A2) into minifix (A1).
Rotate all minifix (A1) until tight. Apply minifix (A3) onto all minifix (A1).
****Attention :** DO NOT OVER-TIGHTEN THE BOLTS.



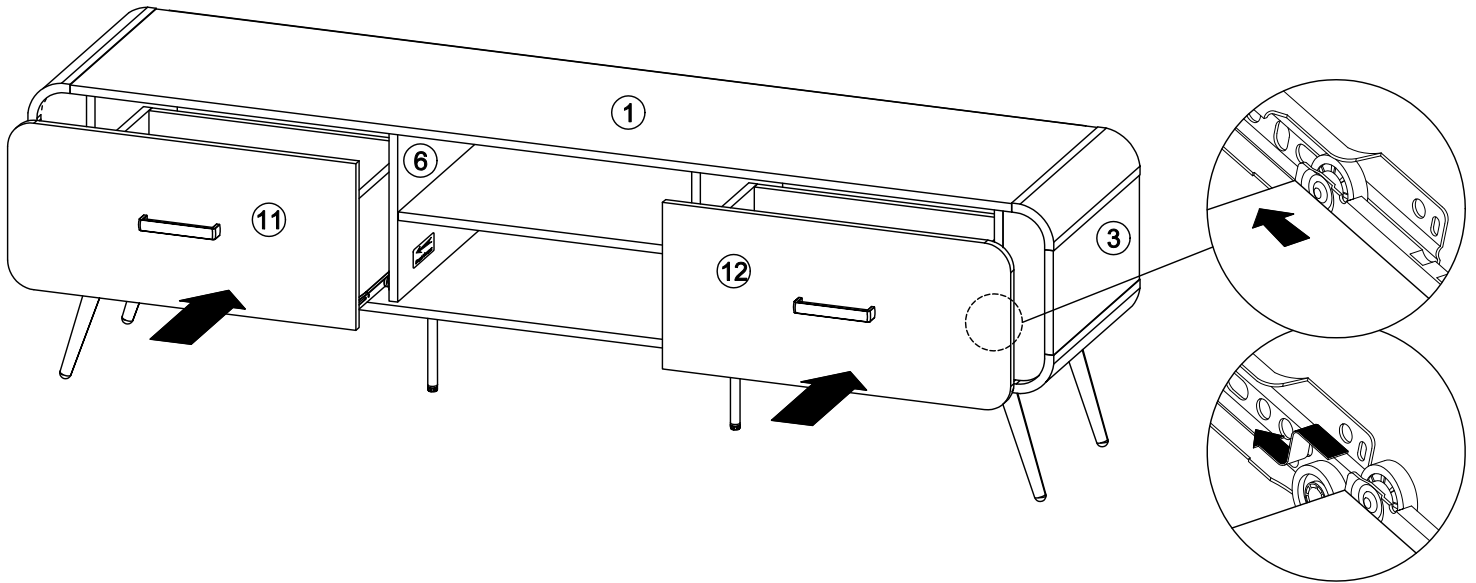
STEP 18 : Fix hardware (J) onto panel (11) and (12) by using hardware (F).
****Attention :** DO NOT OVER-TIGHTEN THE BOLTS.



ASSEMBLY INSTRUCTIONS

ITEM NO : T3562-42
COLLECTION : ROWAN 71" LOW PROFILE TV CONSOLE

STEP 19 : Put all the drawer in place along the drawer slides.



ASSEMBLY COMPLETED

