







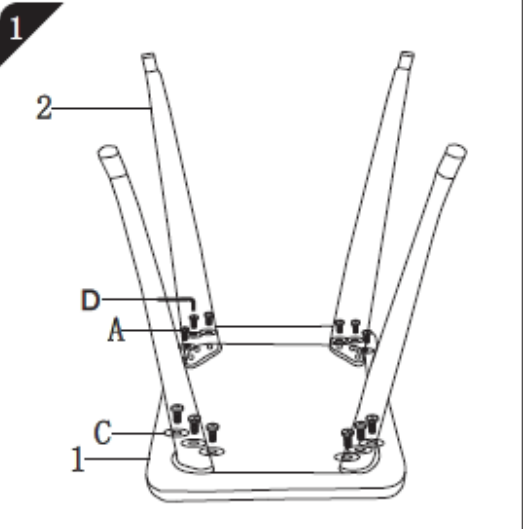
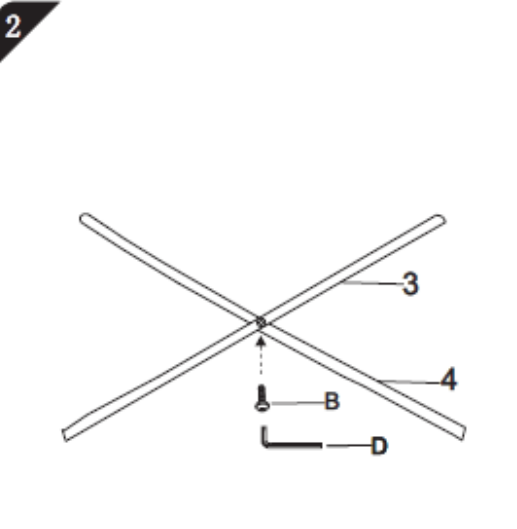
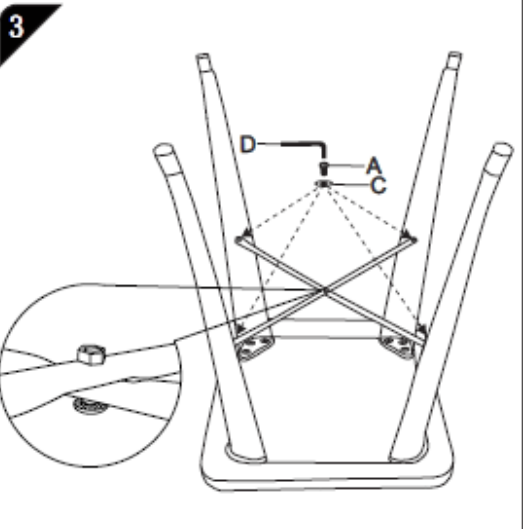








PART IDENTIFICATION	QUANTITY PER SET	PART IDENTIFICATION	QUANTITY PER SET
1: 	1	A: 	16
2: 	4	B: 	1
3: 	1	C: 	16
4: 	1	D: 	1
<b>1</b> 		<b>2</b> 	
<b>3</b> 		<b>4</b> 	

Notes: Please do not fully tight the screw before all screws are fixed.

PART IDENTIFICATION	QUANTITY PER SET	PART IDENTIFICATION	QUANTITY PER SET
A: 	1	D: 	2
B: 	1	E: 	1
C: 	2		

