

CAL.KG HEADBOARD / EAST.KG HEADBOARD  
 CAL.KG FOOTBOARD / EAST.KG FOOTBOARD  
 CAL.KG RAILS / EAST.KG RAILS

## Assembly Instruction

A . Components :

- |                    |     |
|--------------------|-----|
| 1. Headboard Panel | 1 x |
| 2. Footboard Panel | 1 x |
| 3. Bed Rail        | 2 x |
| 4. Slat            | 4 x |
| 5. Slat Support    | 8 x |



a



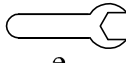
b



c



d



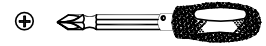
e

B . Hardware :

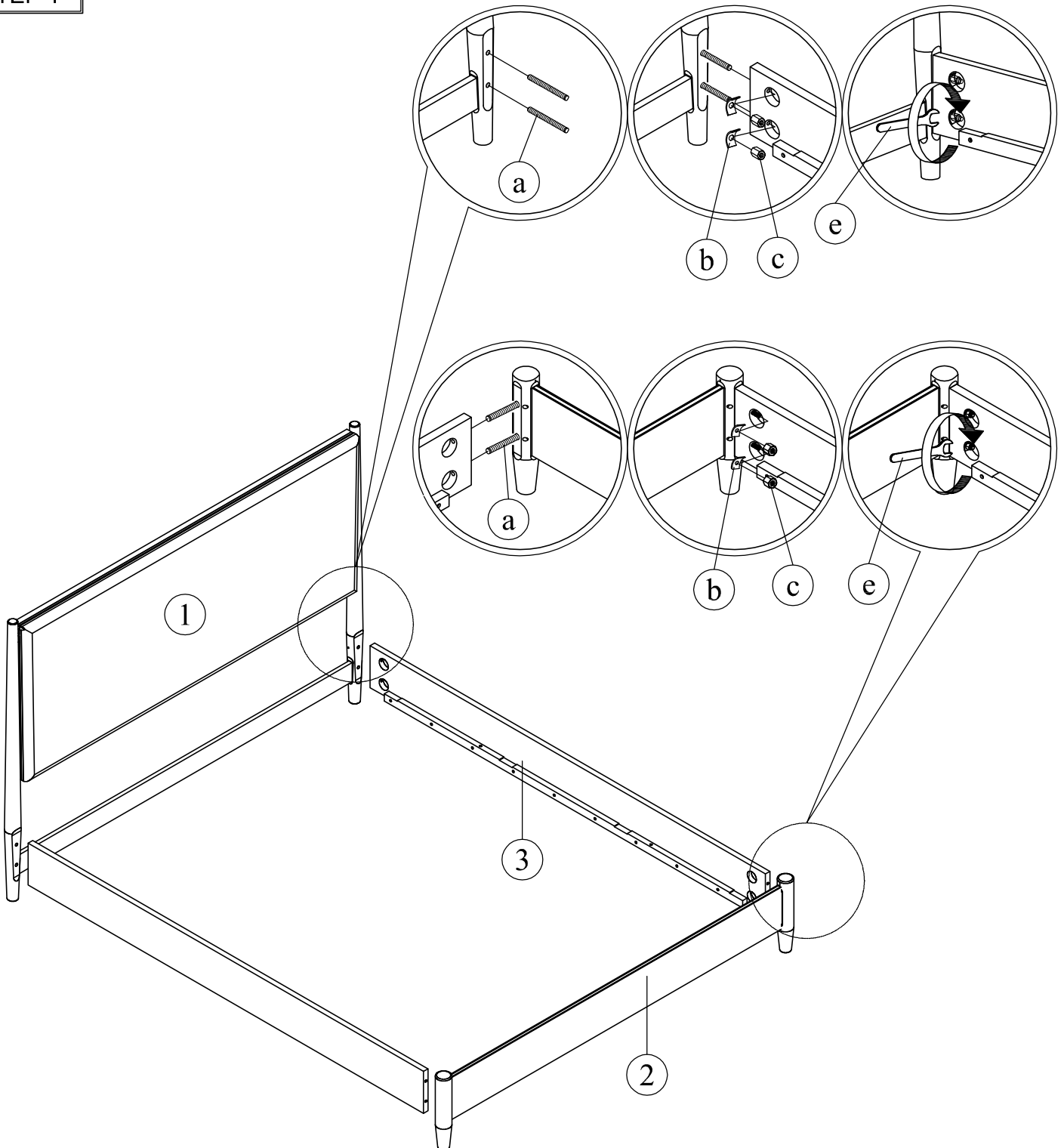
- |                  |     |
|------------------|-----|
| a. Stud Bolt     | 8 x |
| b. Square Washer | 8 x |
| c. Hex Nut       | 8 x |
| d. Screw         | 8 x |
| e. Wrench        | 1 x |

C . Tool Required :

1. Screw Driver = (not included)

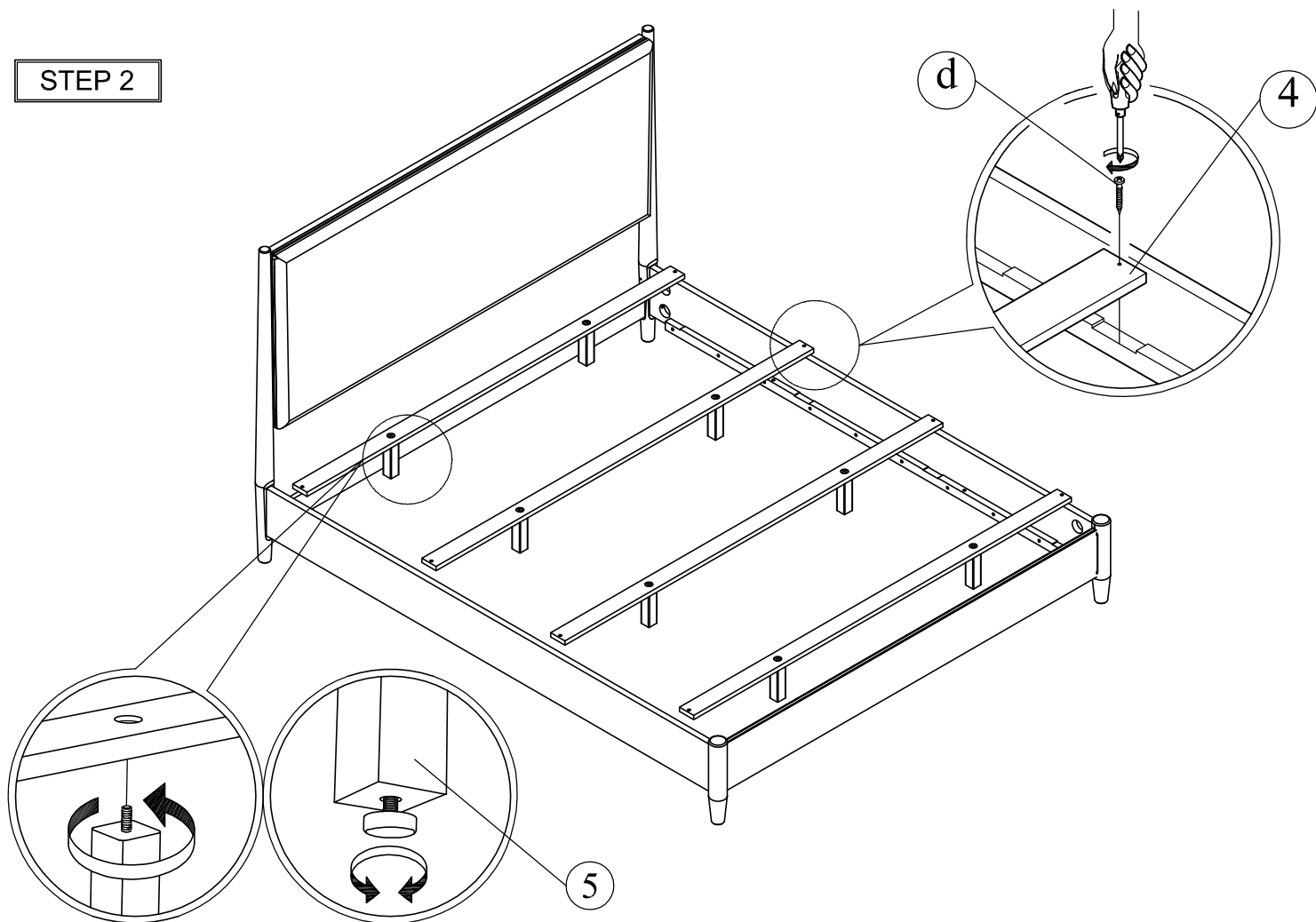


STEP 1



CAL.KG HEADBOARD / EAST.KG HEADBOARD  
CAL.KG FOOTBOARD / EAST.KG FOOTBOARD  
CAL.KG RAILS / EAST.KG RAILS

STEP 2



STEP 3

