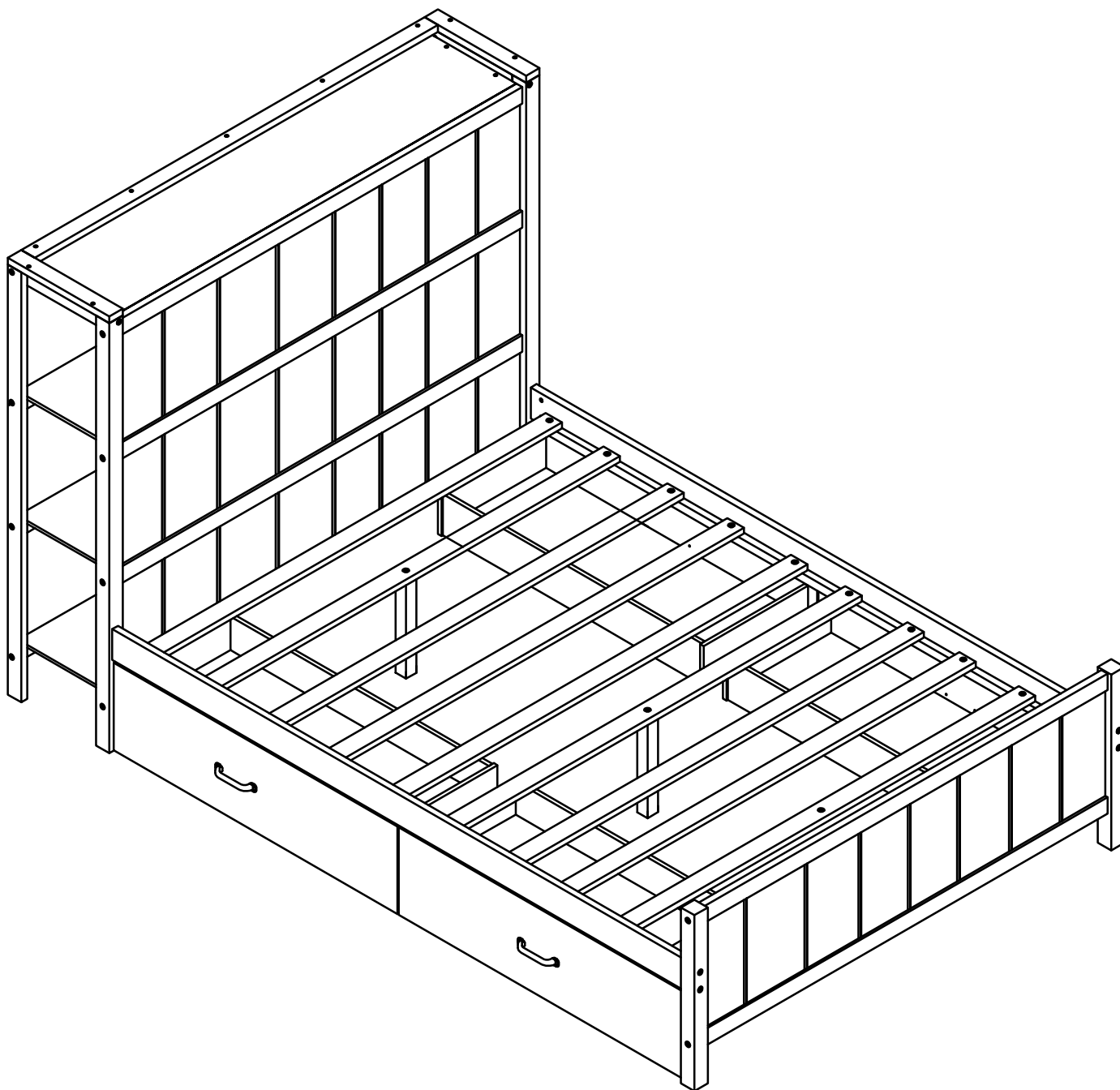


ASSEMBLY INSTRUCTION

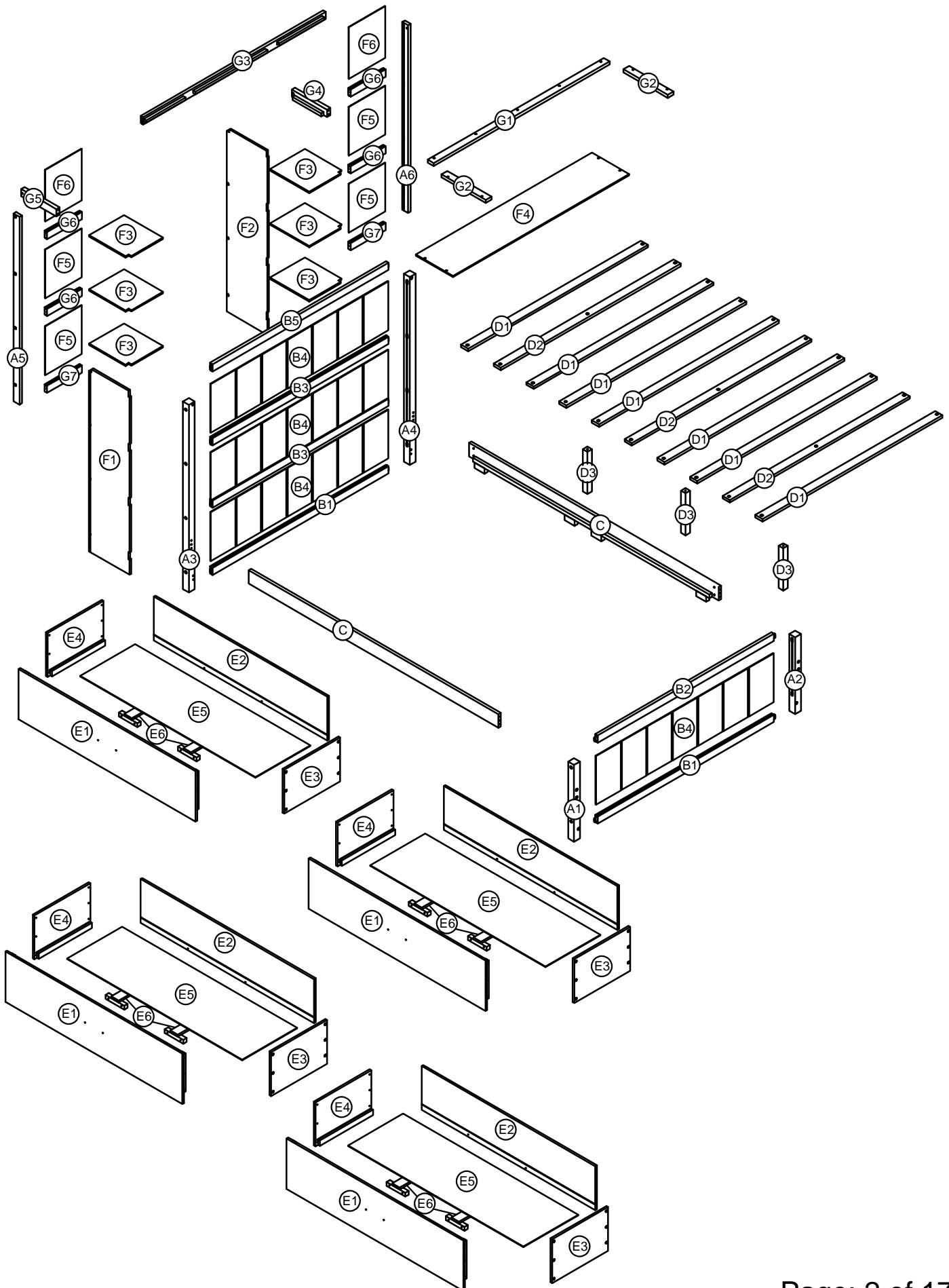
ITEM : WF317814 / 816
FULL BED W/STORAGE

This set is included 2 boxes if don't receive full 2 boxes please contact our customer service team







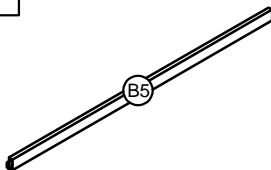
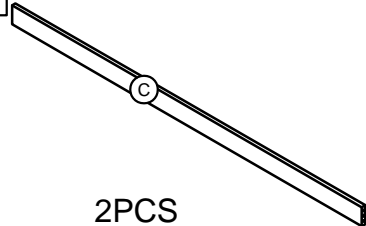

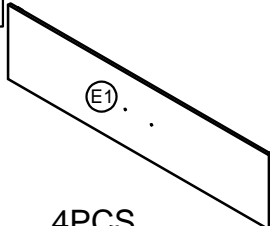
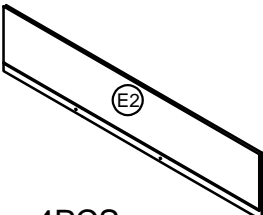
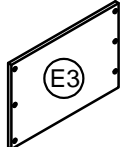
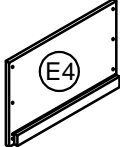
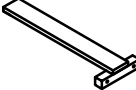
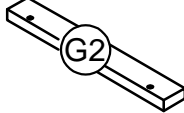
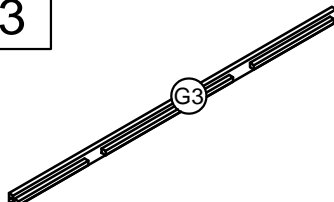
ASSEMBLY INSTRUCTION

ITEM : WF317814 / 816





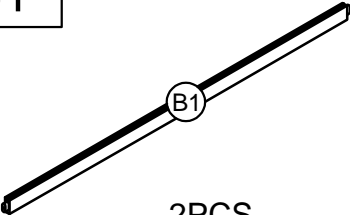
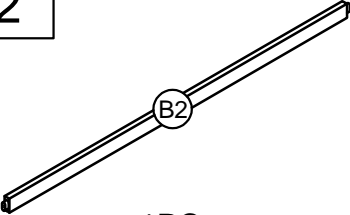
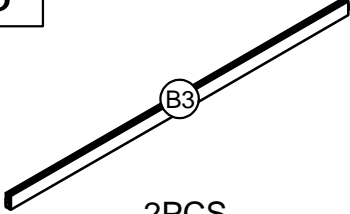
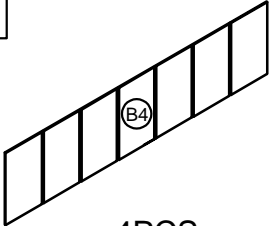
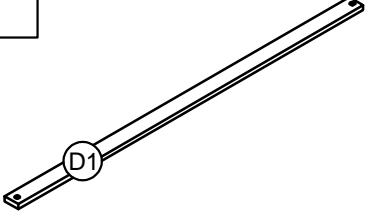
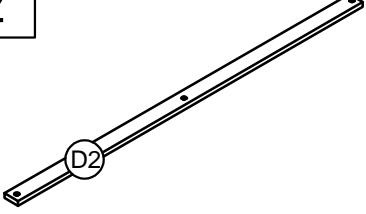
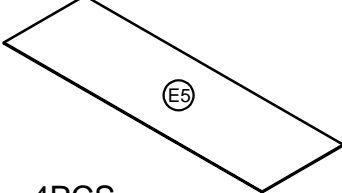
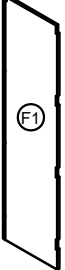
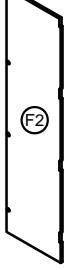

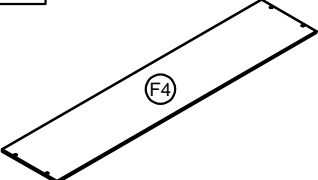


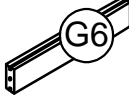
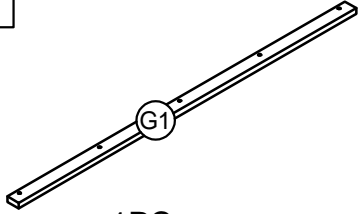

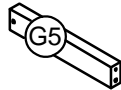
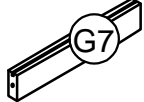
Part List & Hardware List

(Box 1 - WF317814)

<div style="border: 1px solid black; padding: 2px; width: fit-content; margin-bottom: 5px;">A1</div> <div style="text-align: center;">  <p>A1</p> </div> <p style="text-align: center;">1PC</p>	<div style="border: 1px solid black; padding: 2px; width: fit-content; margin-bottom: 5px;">A2</div> <div style="text-align: center;">  <p>A2</p> </div> <p style="text-align: center;">1PC</p>	<div style="border: 1px solid black; padding: 2px; width: fit-content; margin-bottom: 5px;">A3</div> <div style="text-align: center;">  <p>A3</p> </div> <p style="text-align: center;">1PC</p>
<div style="border: 1px solid black; padding: 2px; width: fit-content; margin-bottom: 5px;">A4</div> <div style="text-align: center;">  <p>A4</p> </div> <p style="text-align: center;">1PC</p>	<div style="border: 1px solid black; padding: 2px; width: fit-content; margin-bottom: 5px;">B5</div> <div style="text-align: center;">  <p>B5</p> </div> <p style="text-align: center;">1PC</p>	<div style="border: 1px solid black; padding: 2px; width: fit-content; margin-bottom: 5px;">C</div> <div style="text-align: center;">  <p>C</p> </div> <p style="text-align: center;">2PCS</p>
<div style="border: 1px solid black; padding: 2px; width: fit-content; margin-bottom: 5px;">D3</div> <div style="text-align: center;">  <p>D3</p> </div> <p style="text-align: center;">3PCS</p>	<div style="border: 1px solid black; padding: 2px; width: fit-content; margin-bottom: 5px;">E1</div> <div style="text-align: center;">  <p>E1</p> </div> <p style="text-align: center;">4PCS</p>	<div style="border: 1px solid black; padding: 2px; width: fit-content; margin-bottom: 5px;">E2</div> <div style="text-align: center;">  <p>E2</p> </div> <p style="text-align: center;">4PCS</p>
<div style="border: 1px solid black; padding: 2px; width: fit-content; margin-bottom: 5px;">E3</div> <div style="text-align: center;">  <p>E3</p> </div> <p style="text-align: center;">4PCS</p>	<div style="border: 1px solid black; padding: 2px; width: fit-content; margin-bottom: 5px;">E4</div> <div style="text-align: center;">  <p>E4</p> </div> <p style="text-align: center;">4PCS</p>	<div style="border: 1px solid black; padding: 2px; width: fit-content; margin-bottom: 5px;">E6</div> <div style="text-align: center;">  <p>E6</p> </div> <p style="text-align: center;">8PCS</p>
<div style="border: 1px solid black; padding: 2px; width: fit-content; margin-bottom: 5px;">G2</div> <div style="text-align: center;">  <p>G2</p> </div> <p style="text-align: center;">2PCS</p>	<div style="border: 1px solid black; padding: 2px; width: fit-content; margin-bottom: 5px;">G3</div> <div style="text-align: center;">  <p>G3</p> </div> <p style="text-align: center;">1PC</p>	

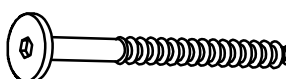
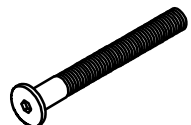




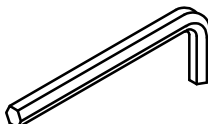

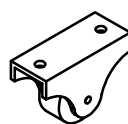
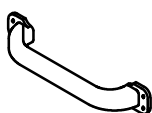






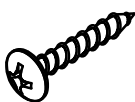
Part List

(Box 2 - WF317816)

A5  1PC	A6  1PC	B1  2PCS	
B2  1PC	B3  2PCS	B4  4PCS	
D1  7PCS	D2  3PCS	E5  4PCS	
F1  1PC	F2  1PC	F3  6PCS	
F4  1PC	F5  4PCS	F6  2PCS	G6  4PCS
G1  1PC	G4  1PC	G5  1PC	G7  2PCS

Part List & Hardware List

(Box 1 - WF317814)

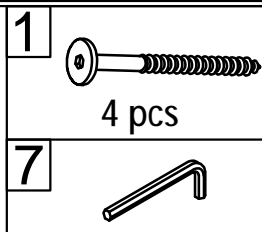
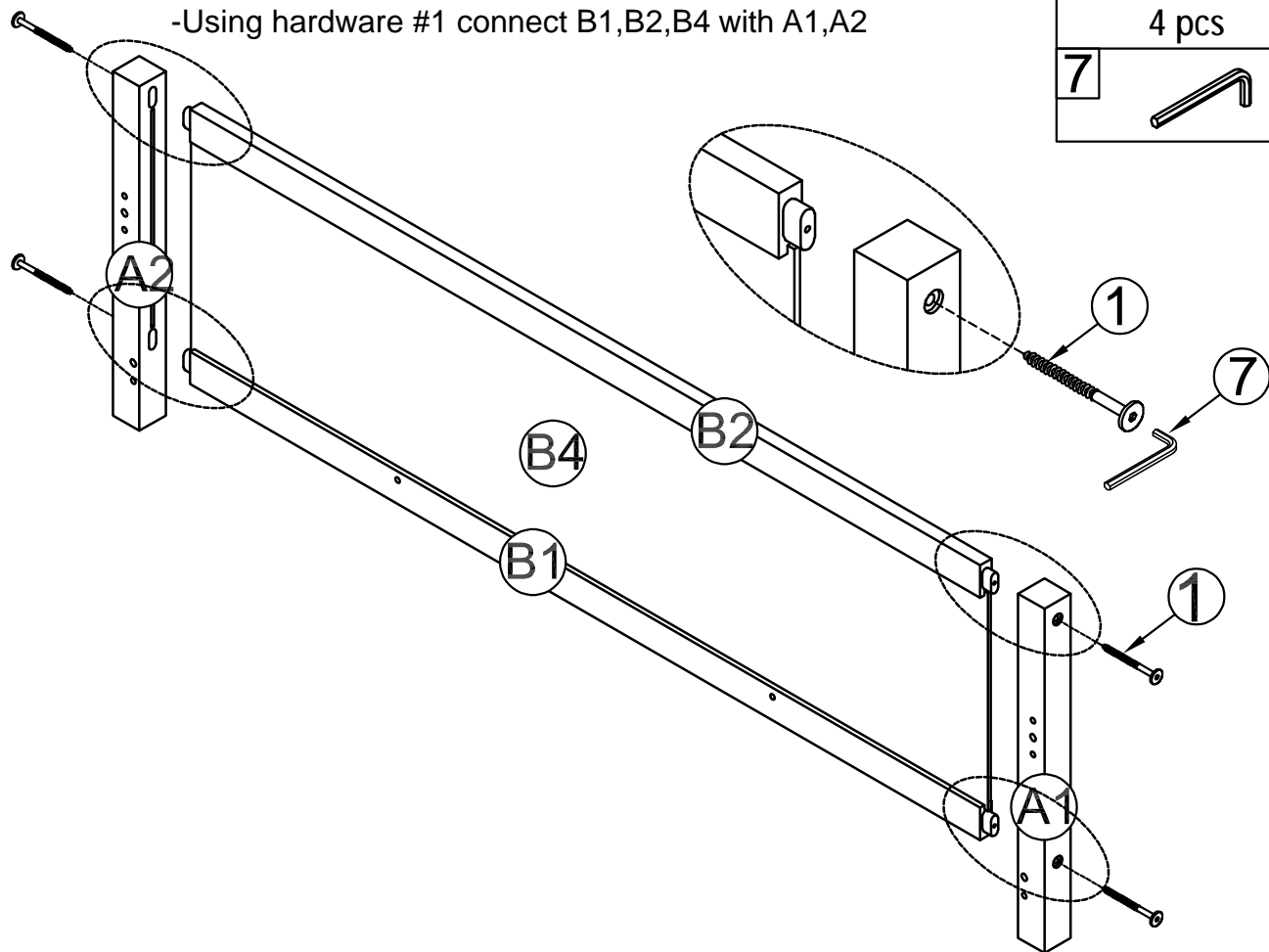
<p>1</p>  <p>Allen key screw M6 x 80 mm 14pcs</p>	<p>2</p>  <p>Allen key bolt M6 x 100 mm 8pcs</p>	<p>3</p>  <p>Wood dowel Ø8 x 30 mm 8pcs</p>
<p>4</p>  <p>Allen key screw M6 x 60 mm 14pcs</p>	<p>5</p>  <p>Horizontal-Hole bolts M6*13 8pcs</p>	<p>6</p>  <p>Allen key bolt M6 x 25 mm 5pcs</p>
<p>7</p>  <p>Allen key 2pcs</p>	<p>8</p>  <p>Steel bracket 6pcs</p>	<p>9</p>  <p>WHEEL 16pcs</p>
<p>10</p>  <p>Handle 4pcs</p>	<p>11</p>  <p>Bolt M4 x 15 mm 8pcs</p>	<p>12</p>  <p>Wood Screw M4x25mm 33pcs</p>
<p>13</p>  <p>Wood Screw M4x20mm 48pcs</p>	<p>14</p>  <p>Wood Screw M4x30mm 20pcs</p>	<p>15</p>  <p>Wood Screw M3.5x12mm 32pcs</p>
<p>16</p>  <p>Wood Screw M3.5x10mm 12pcs</p>	<p>17</p>  <p>Screw round head M4x20mm 4pcs</p>	

ASSEMBLY TOOLS REQUIRED (NOT INCLUDED)



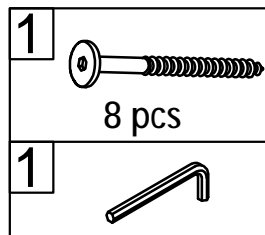
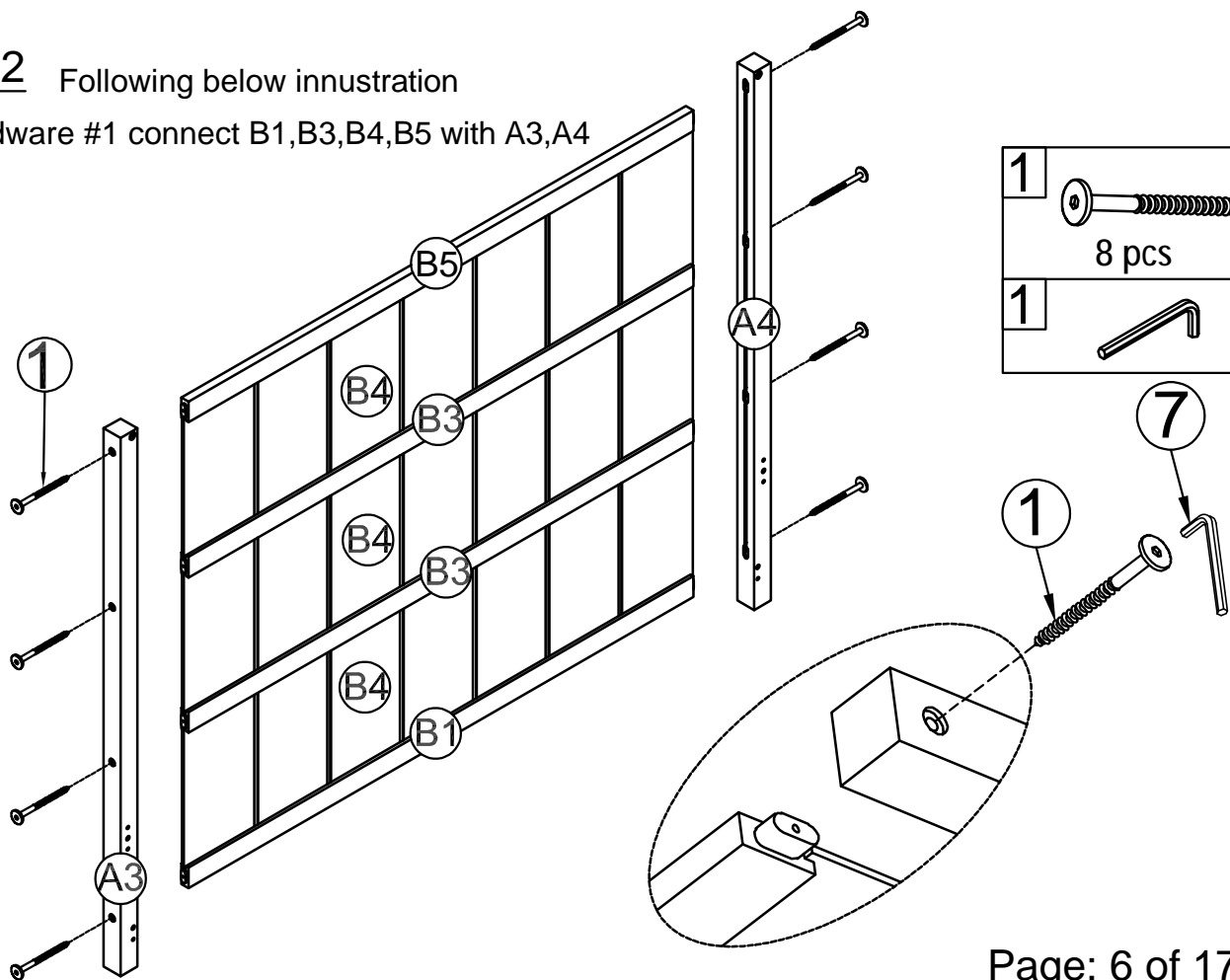
STEP: 1 Following below innustration

-Using hardware #1 connect B1,B2,B4 with A1,A2







STEP: 2 Following below innustration

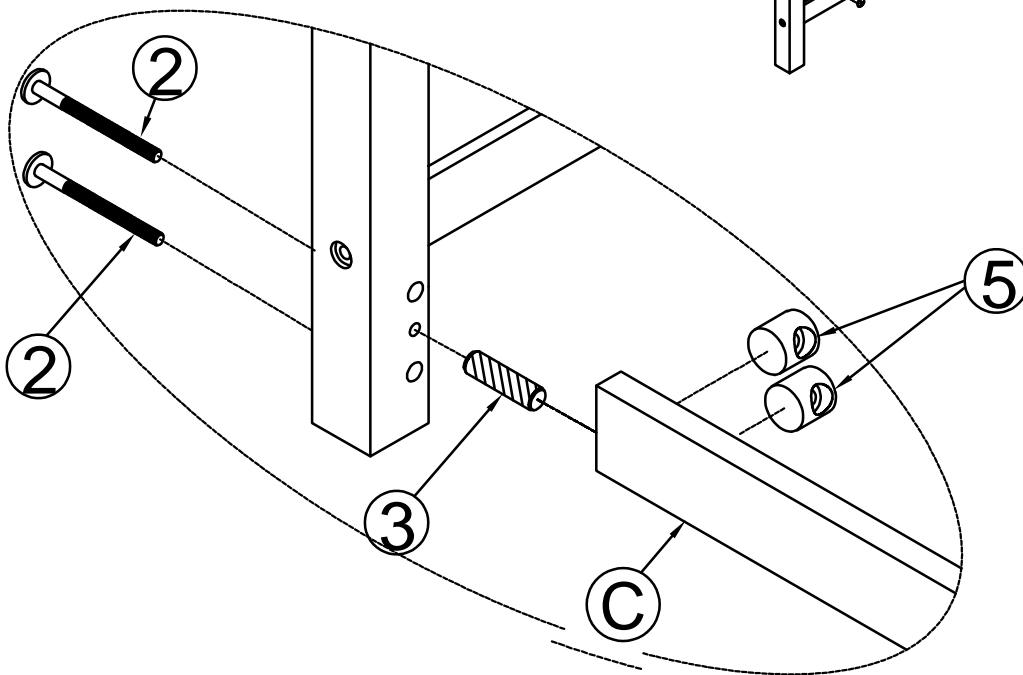
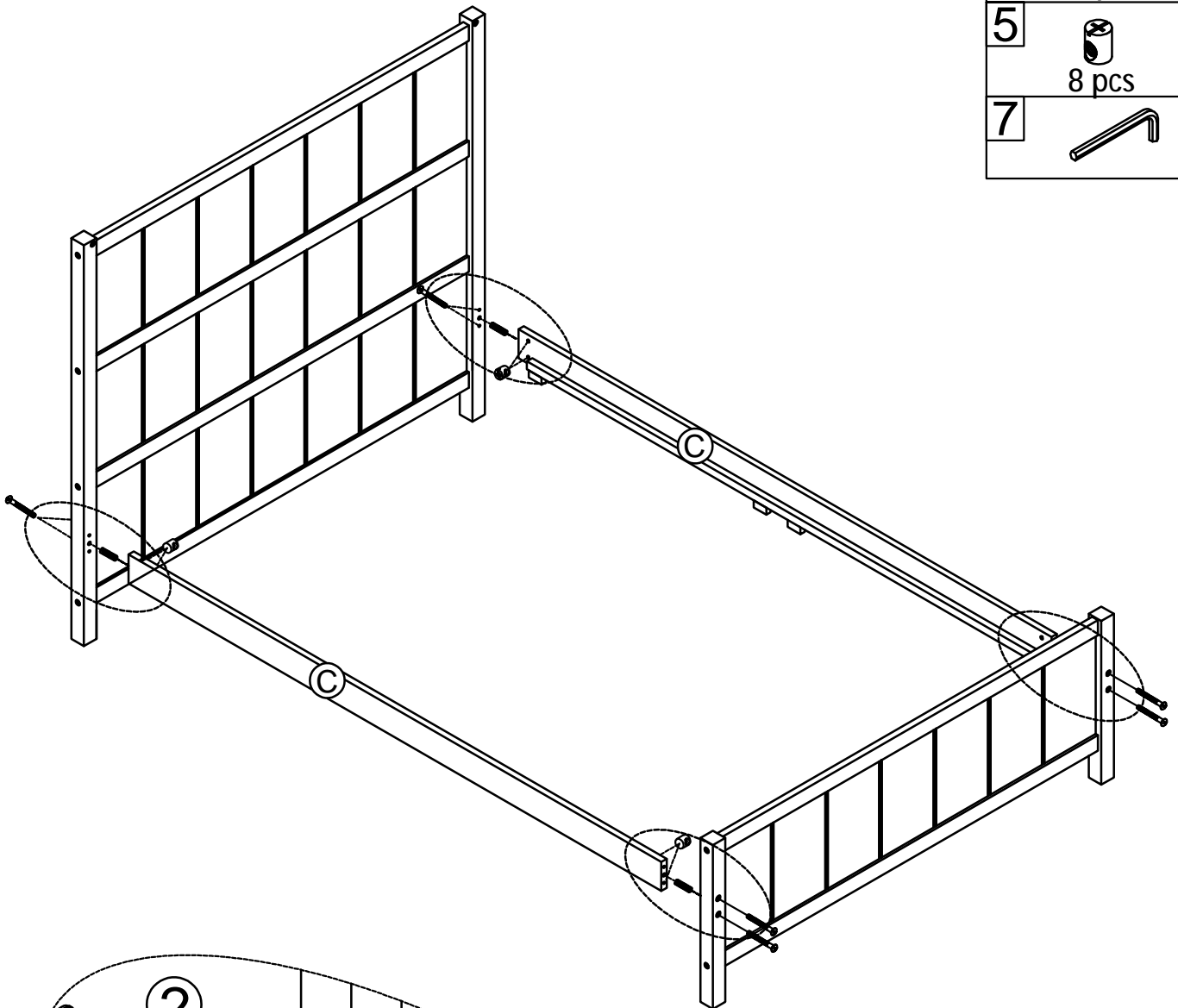
-Using hardware #1 connect B1,B3,B4,B5 with A3,A4



STEP: 3 Following below illustration

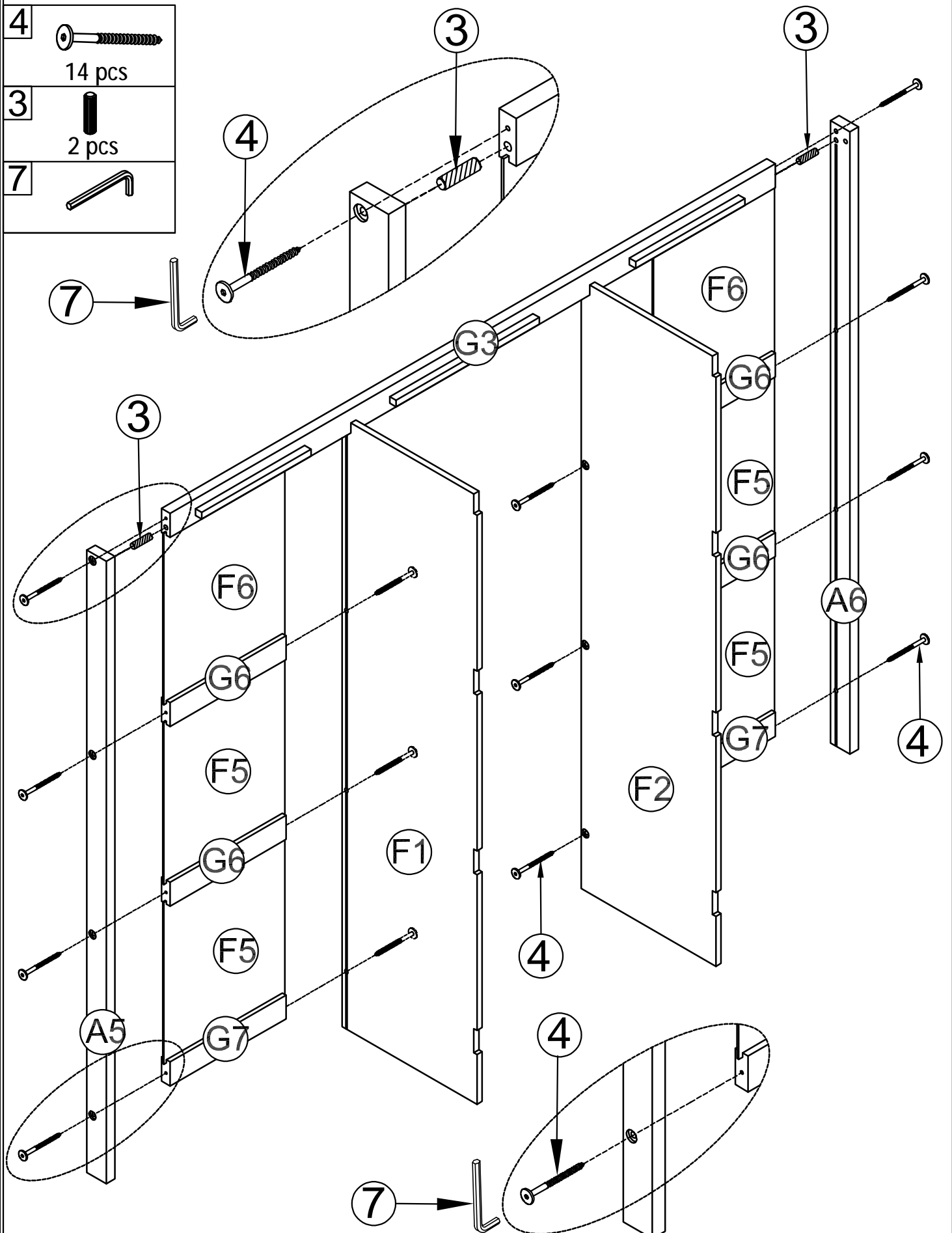
-Using hardware #2,#3,#5 connect Frame(Completed on step:1,2) with C.

2	
	8 pcs
3	
	4 pcs
5	
	8 pcs
7	





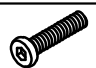

STEP: 4 Following below illustration

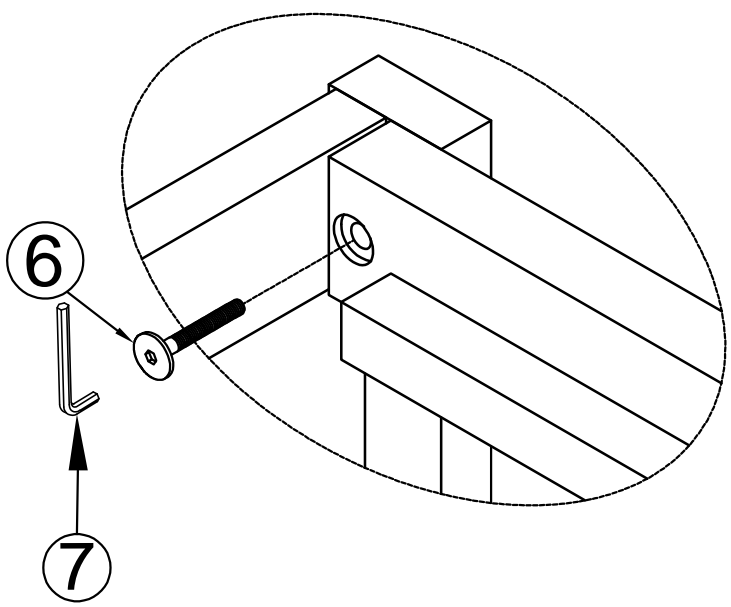
-Using hardware #3,#4 connect G3,G6,G7,F5,F6 with A5, A6, F1, F2



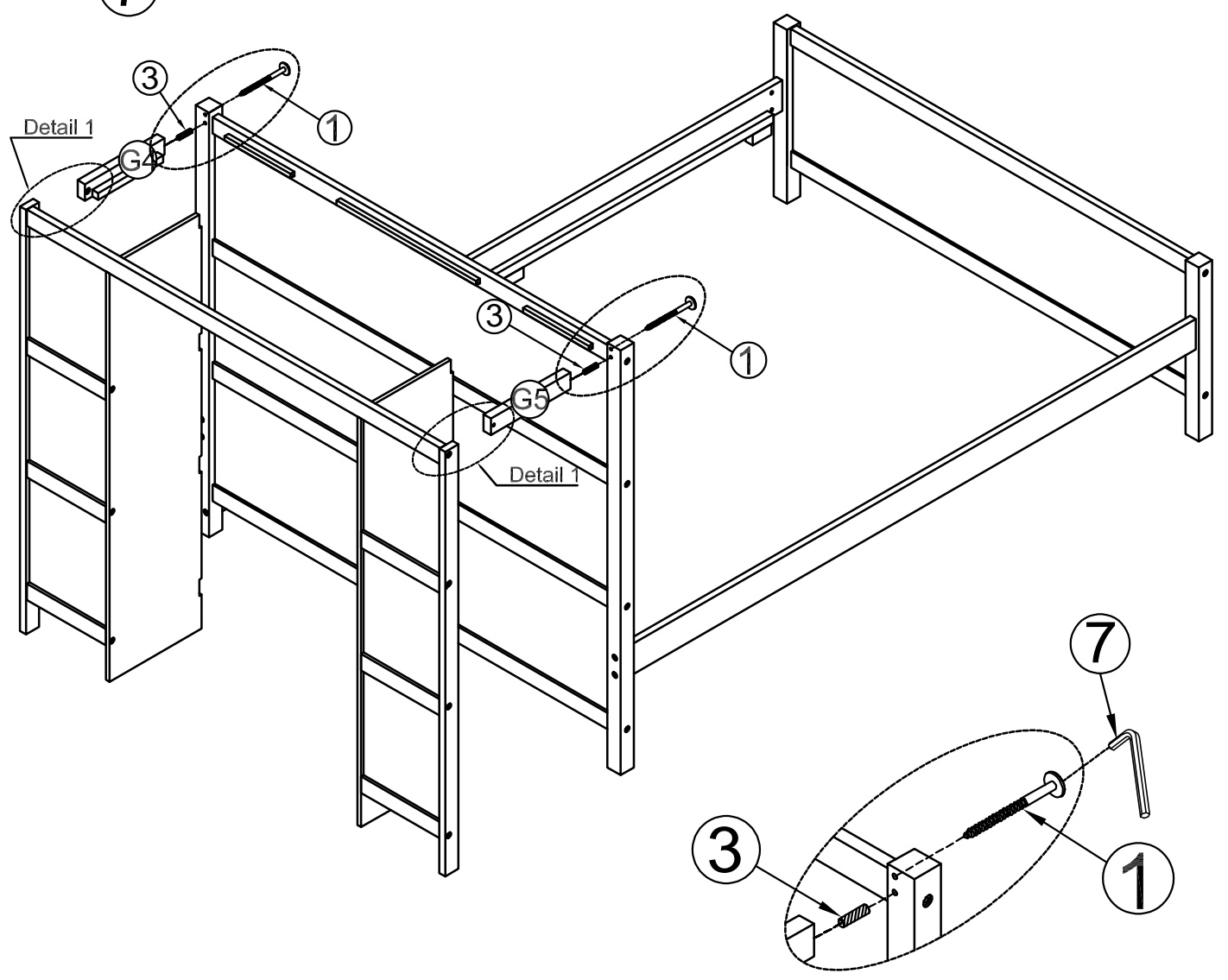
STEP: 5 Following below innustration

-Using hardware #1,#3,#6 connect Frame(Completed on step:3,4) with G4,G5.



1		2 pcs
3		2 pcs
6		2 pcs
7		

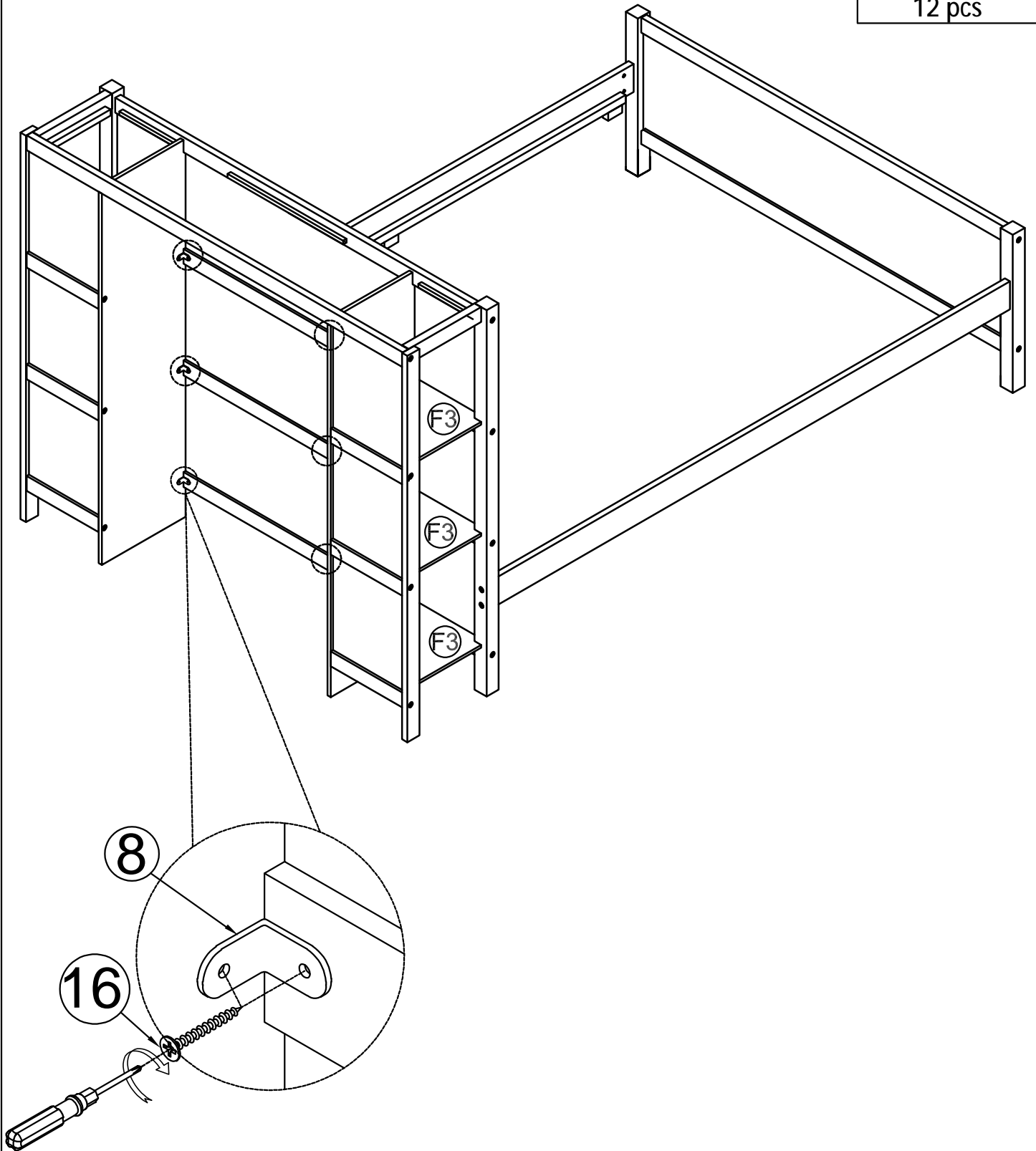


Detail 1
(x2)

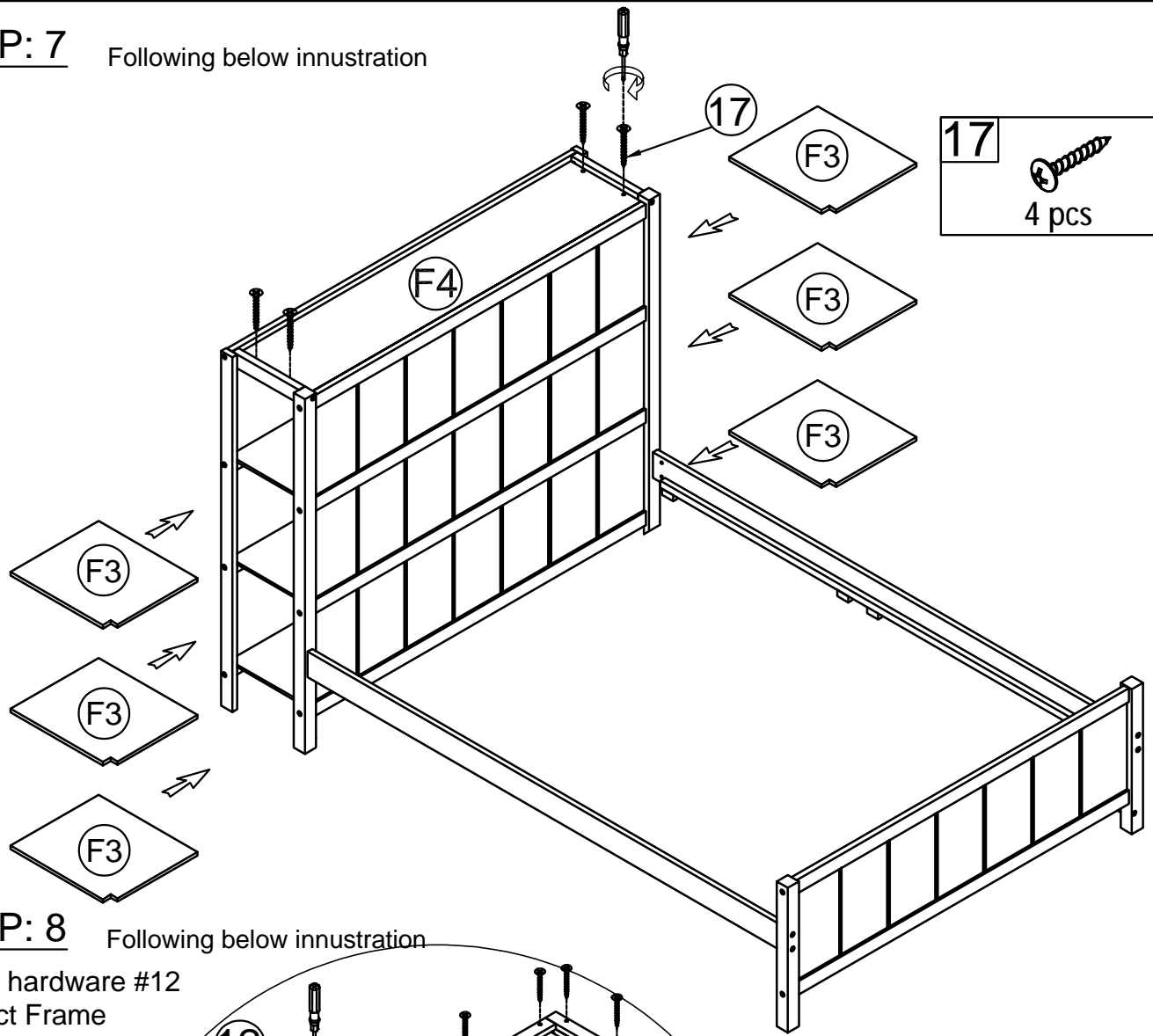


STEP: 6 Following below innustration

8	
	6 pcs
16	
	12 pcs

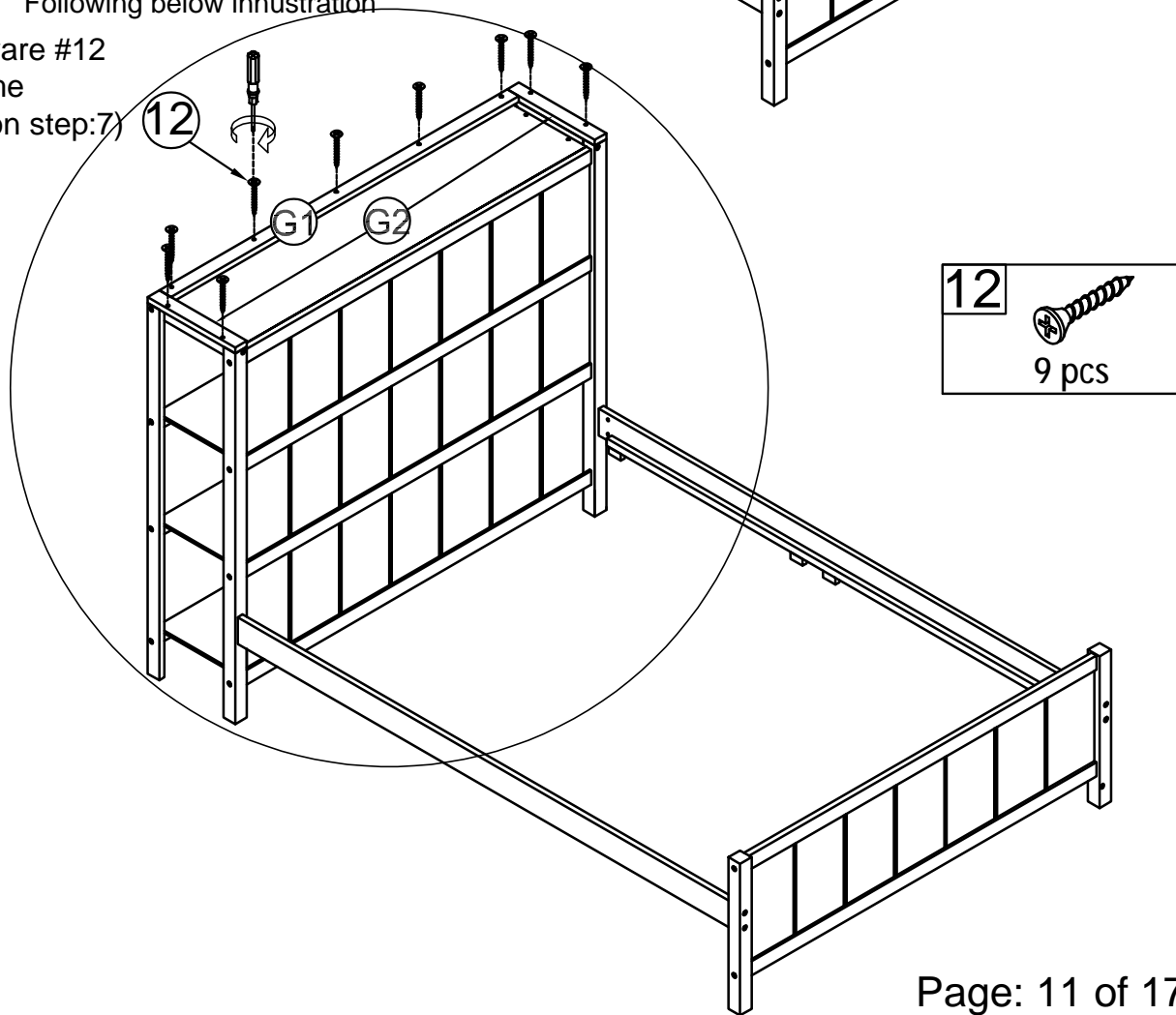


STEP: 7 Following below innustration

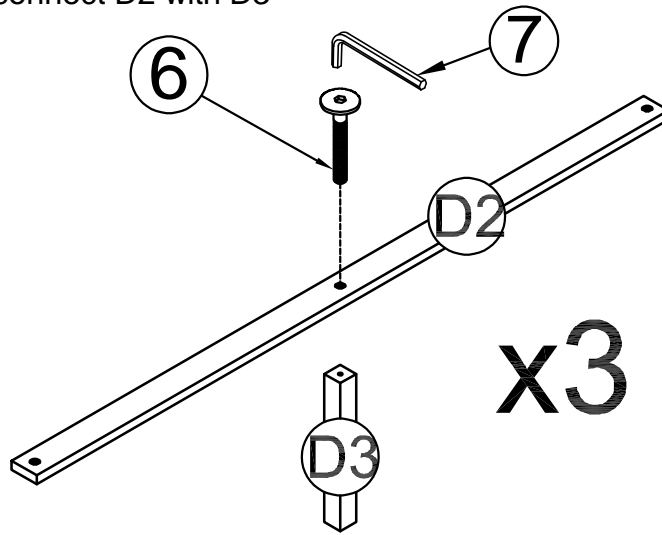




STEP: 8 Following below innustration

-Using hardware #12
connect Frame
(Completed on step:7)
with G1,G2.

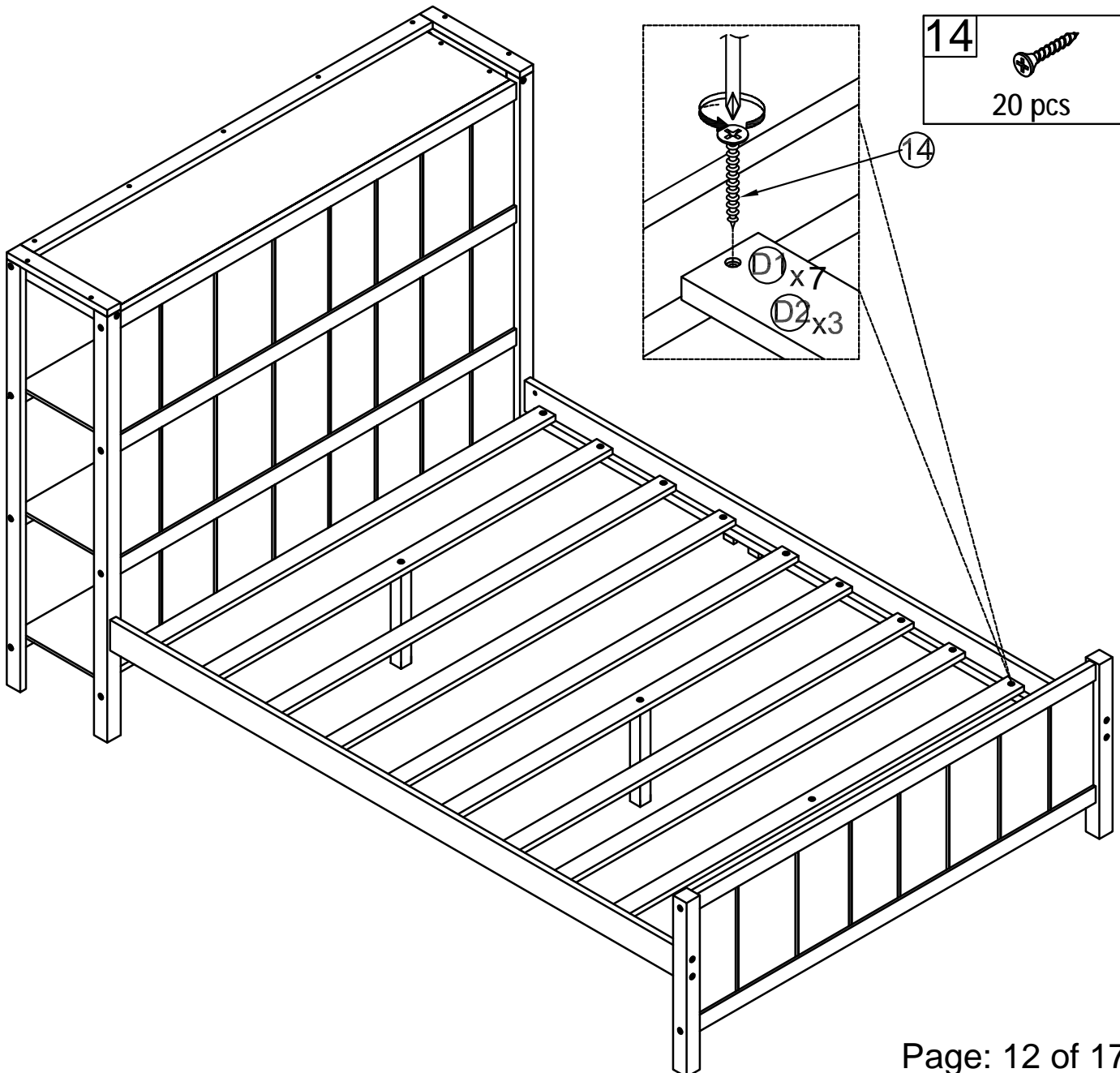



STEP: 9 Following below innustration
-Using hardware #6 connect D2 with D3



6	
	3 pcs
7	

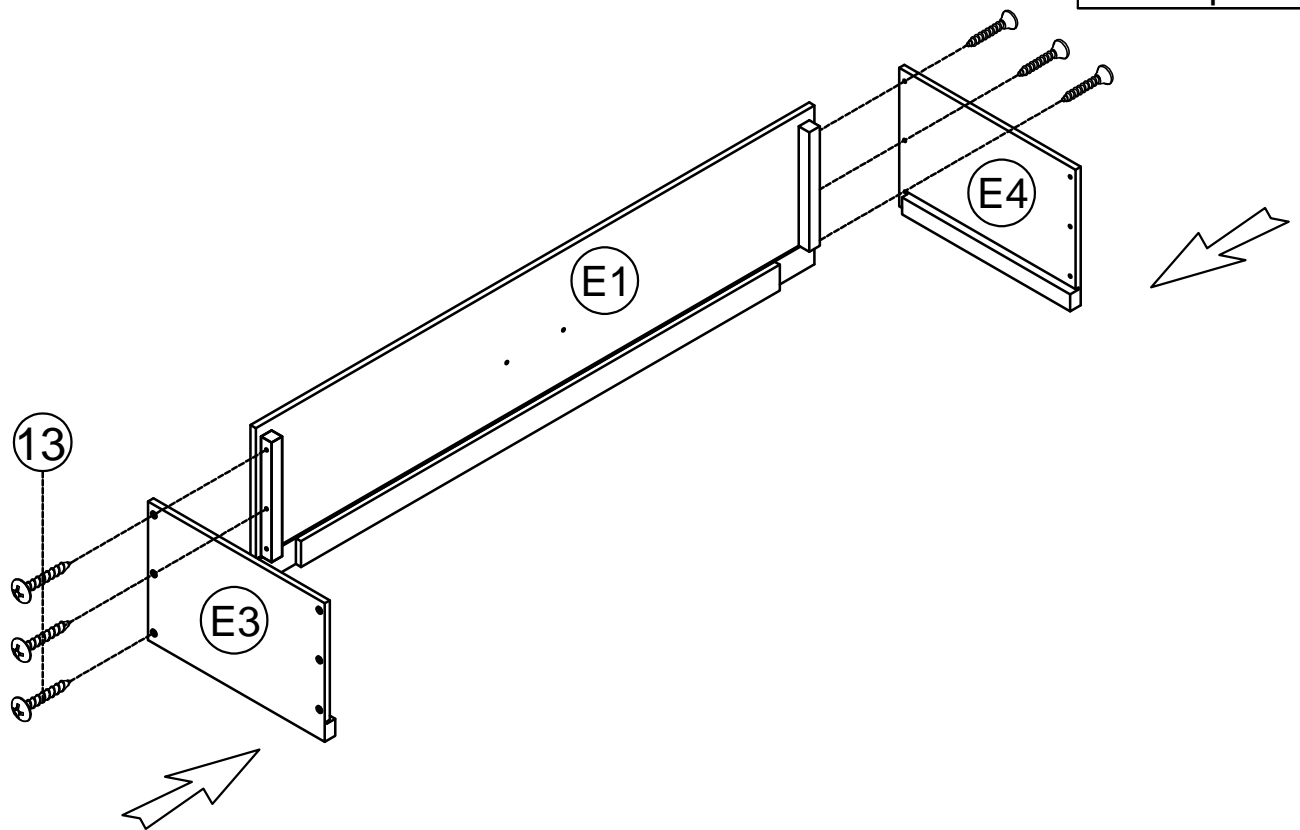
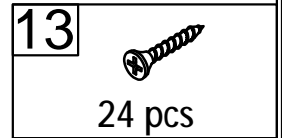
STEP: 10 Following below innustration



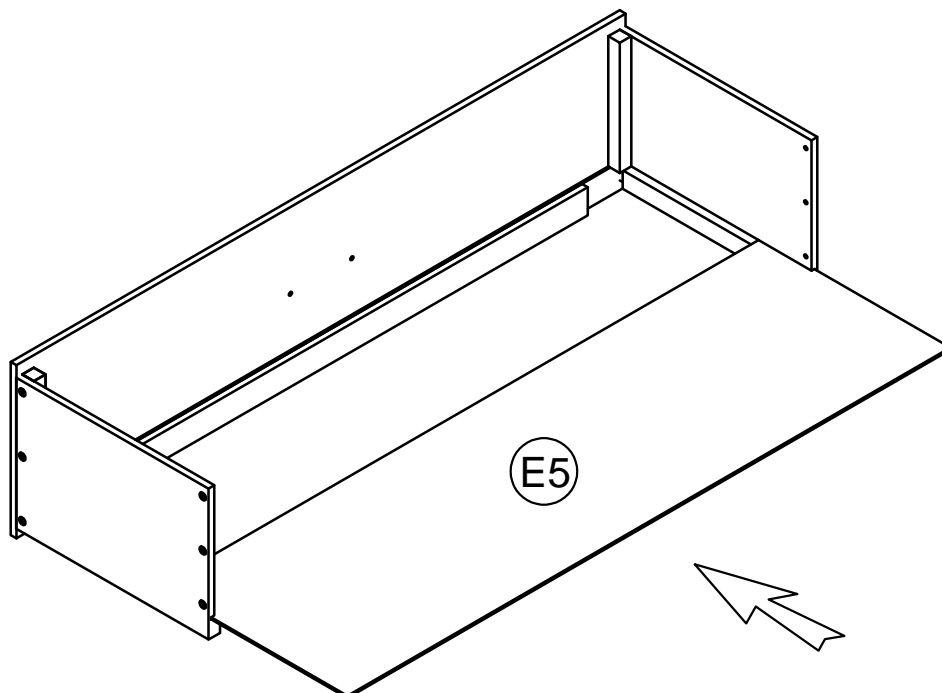
14	
	20 pcs

STEP: 11 Following below innustration

-Using hardware #13 connect E3,E4 with E1




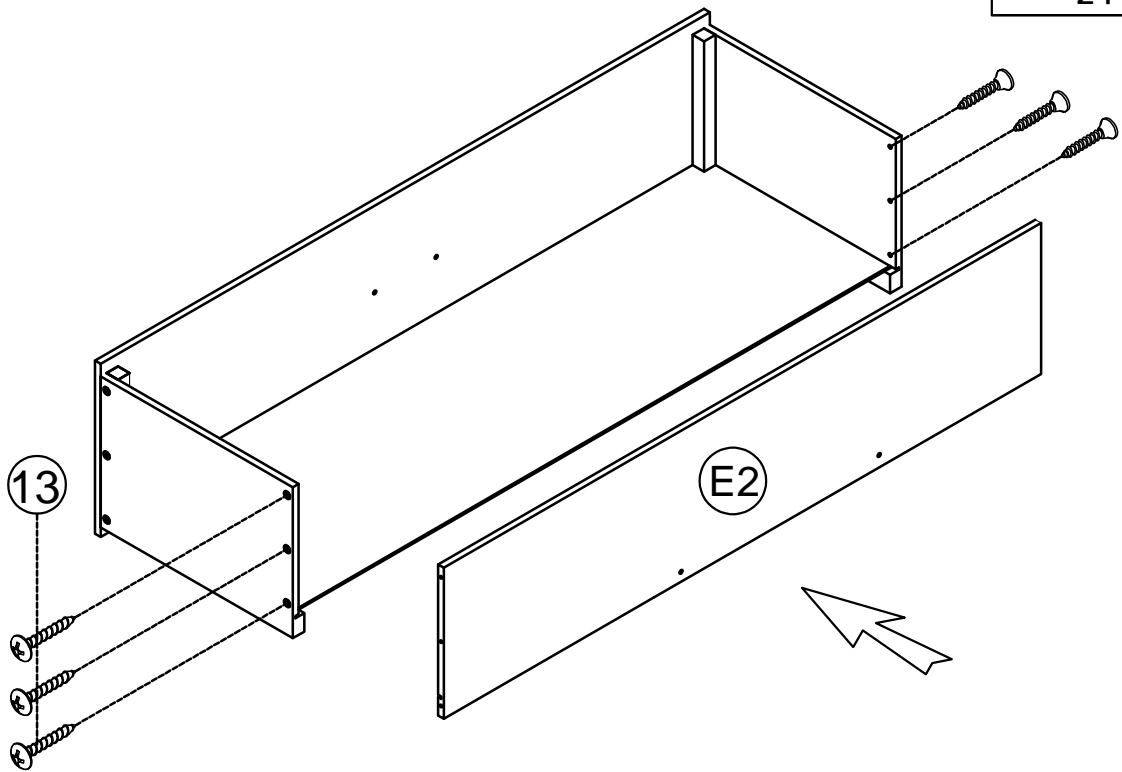
STEP: 12 Following below innustration



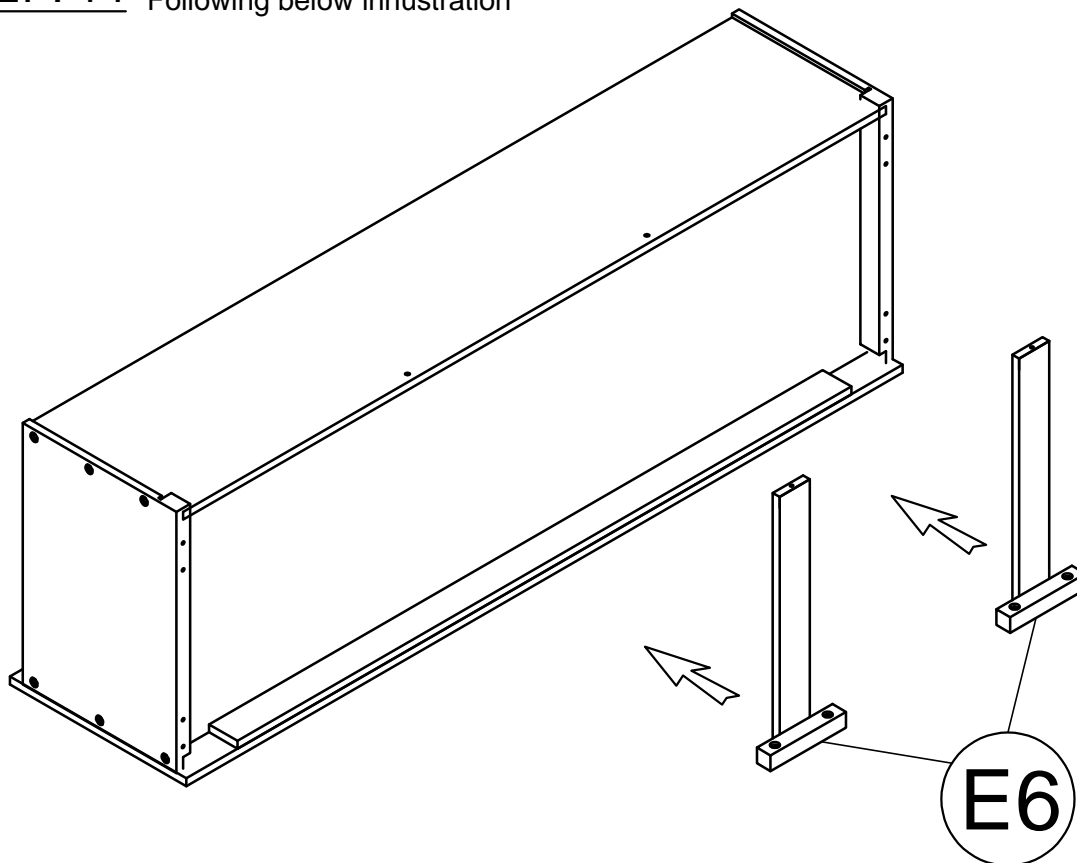
STEP: 13 Following below innustration

-Using hardware #13 connect Frame(Completed on step:12) with E2

13 
24 pcs

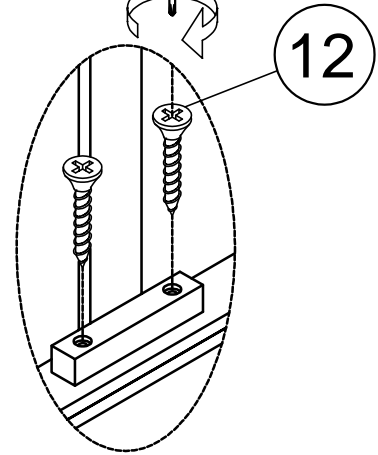
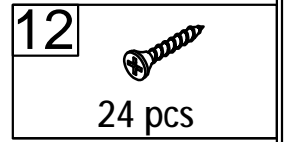
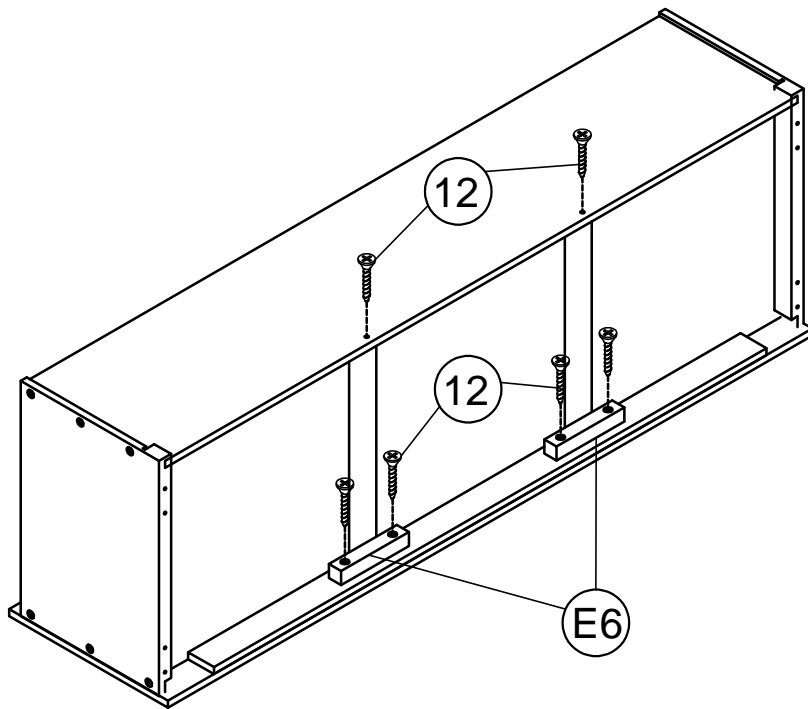


STEP: 14 Following below innustration

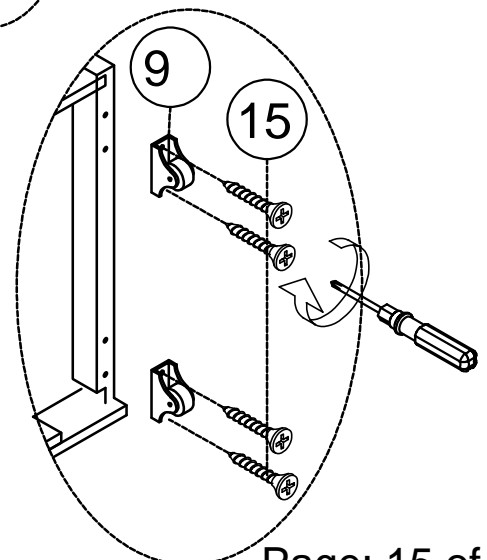
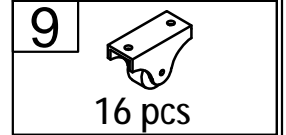
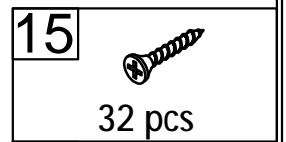
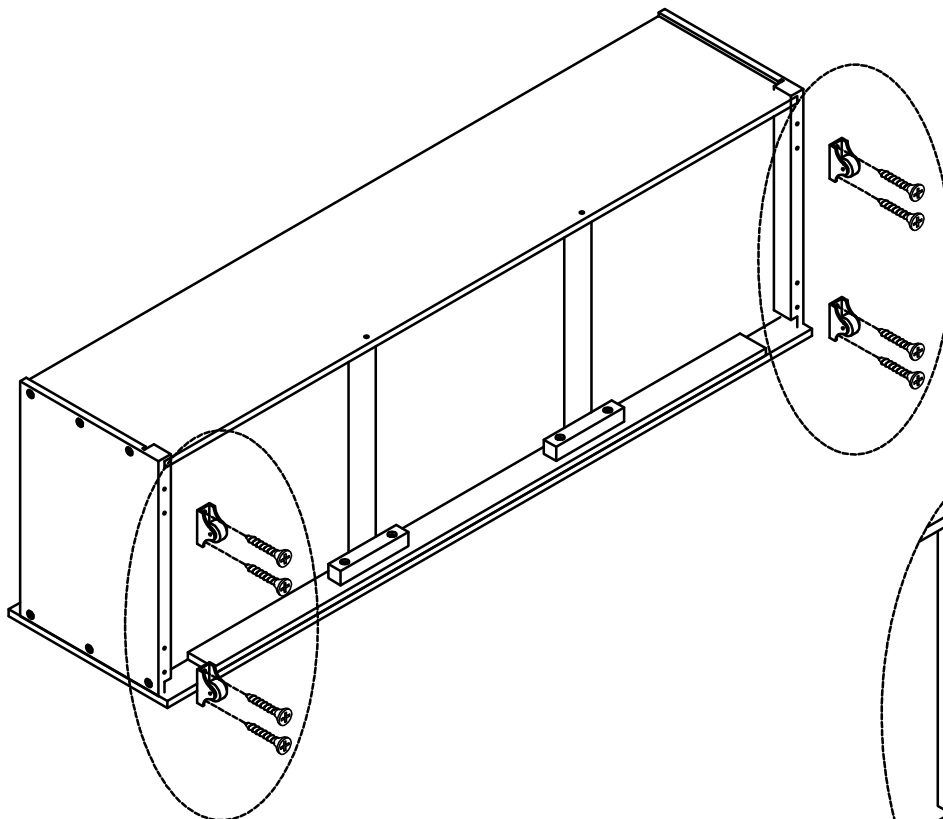


STEP: 15 Following below innustration

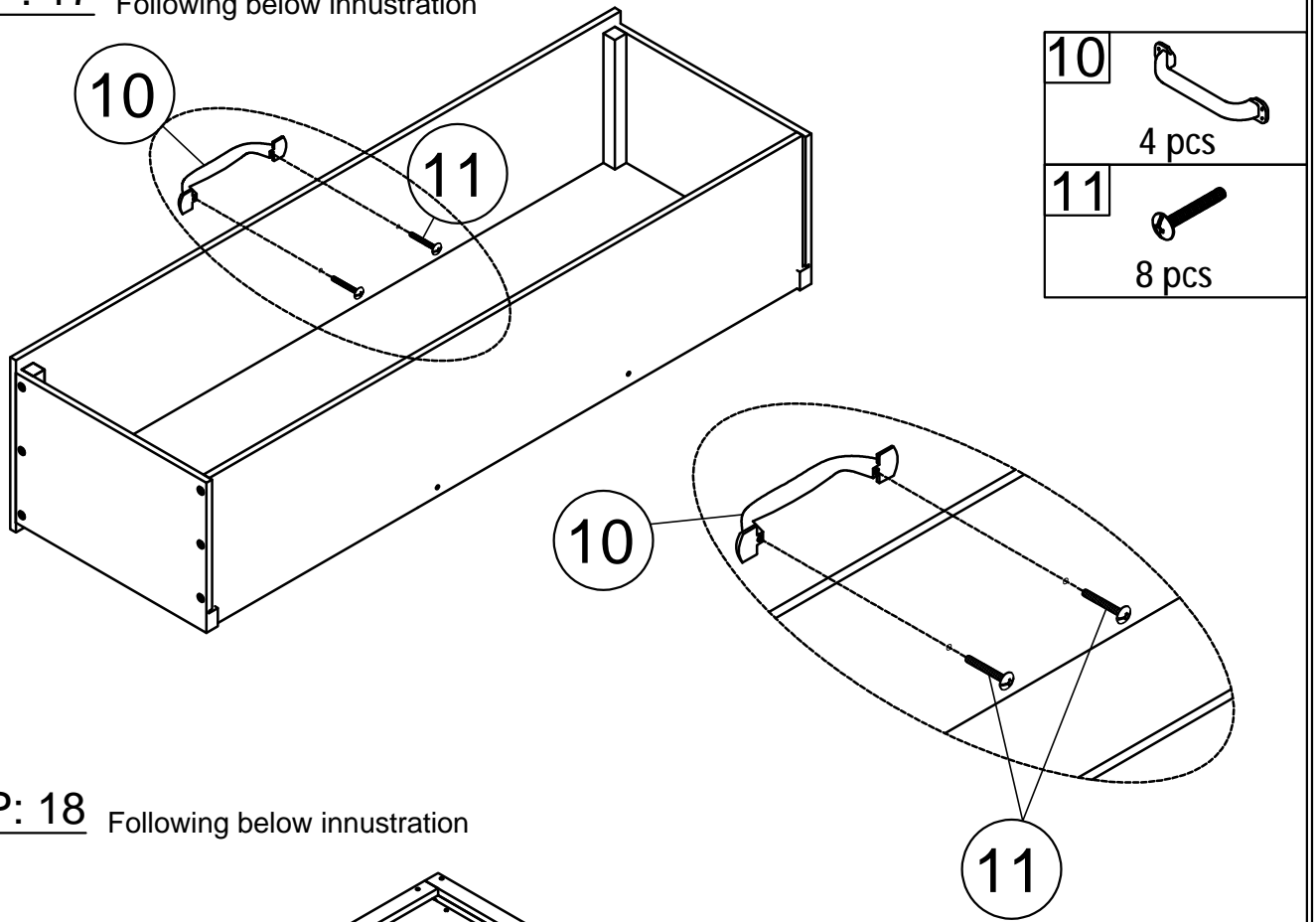
-Using hardware #12 connect Frame(Completed on step:14) with E6



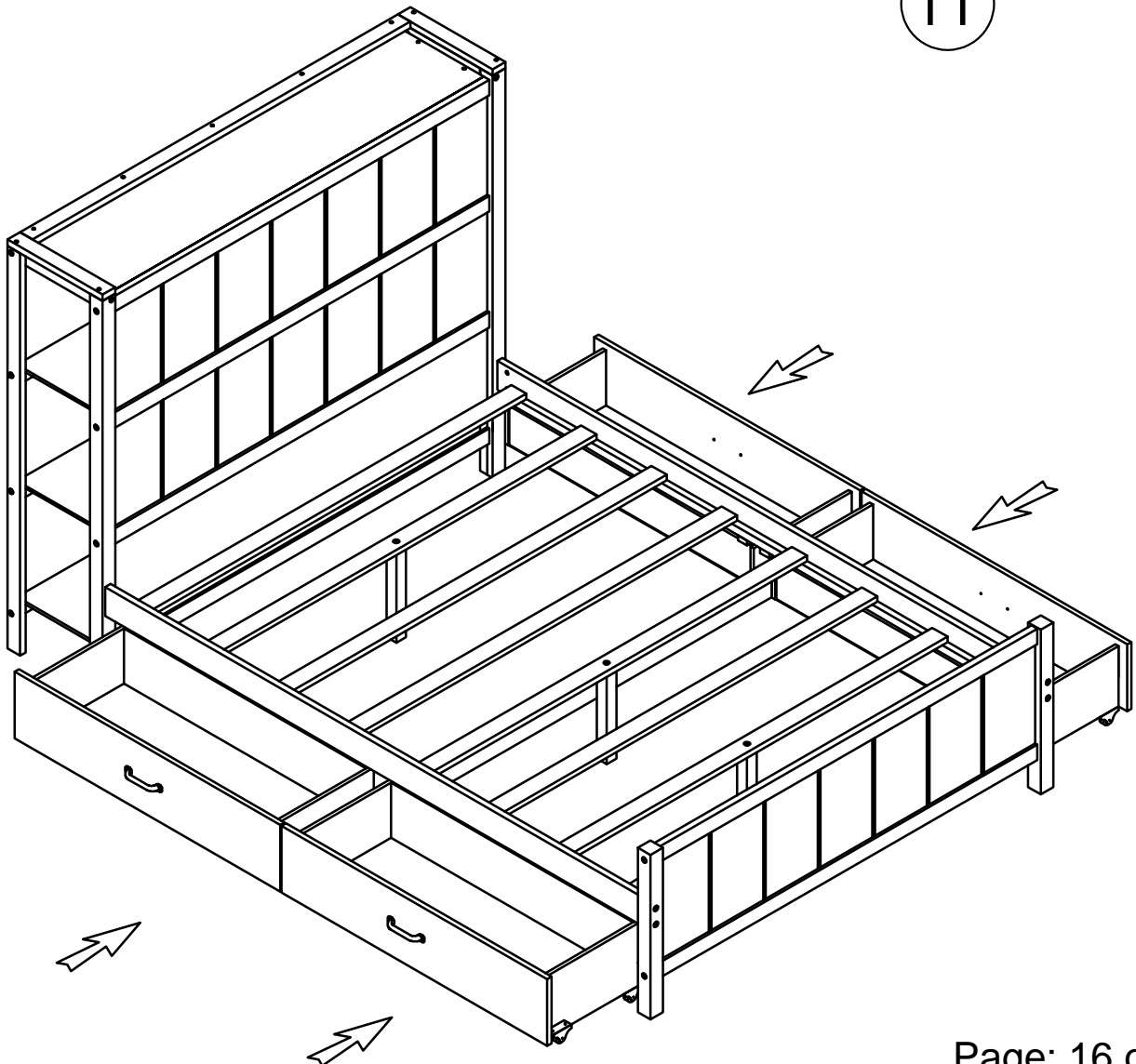
STEP: 16 Following below innustration



STEP: 17 Following below innustration



STEP: 18 Following below innustration



CONGRARULATION. YOU HAVE COMPLETED THE BED.

