

# ***Barstool***

***Model: 8012***



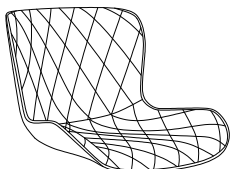


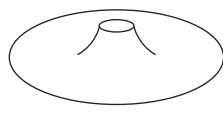
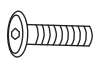

**Made in China**

---

# INSTRUCTION MANUAL

# Barstool

## PARTS DESCRIPTION

A	B	C	D	E
 X1	 X1	 X1	 X1	 X4 M6*16mm  F X1

## ASSEMBLY STEPS

